



US00D774853S

(12) **United States Design Patent** (10) **Patent No.:** **US D774,853 S**  
**Dove** (45) **Date of Patent:** **\*\* Dec. 27, 2016**

(54) **VEHICLE SAW ATTACHMENT**  
(71) Applicant: **Bill Dove**, Green Ridge, MO (US)  
(72) Inventor: **Bill Dove**, Green Ridge, MO (US)  
(\*\*) Term: **14 Years**  
(21) Appl. No.: **29/487,813**  
(22) Filed: **Apr. 11, 2014**  
(51) **LOC (10) Cl.** ..... **08-01**  
(52) **U.S. Cl.**  
USPC ..... **D8/9**  
(58) **Field of Classification Search**  
USPC ..... D8/1, 7, 9; D12/1, 20, 42, 43, 400, 159,  
D12/223; D21/533, 561  
CPC ..... A01G 23/091; A01G 3/00; A01G 23/087;  
Y10T 83/04; B27B 11/12; B27B 33/02;  
Y10S 83/928  
See application file for complete search history.

(56) **References Cited**  
U.S. PATENT DOCUMENTS  
1,946,006 A \* 2/1934 Struckmeyer ..... A01B 1/06  
172/375  
2,169,557 A \* 8/1939 Curtiss ..... A01B 1/22  
172/372  
2,633,880 A \* 4/1953 Mattson ..... B23D 61/121  
144/34.1  
2,821,217 A \* 1/1958 Shald ..... E02F 3/8152  
144/34.1  
3,004,570 A \* 10/1961 Clayton ..... A01G 23/093  
144/34.1  
3,033,253 A 5/1962 Purdy  
3,804,138 A \* 4/1974 Adcock ..... A01G 23/093  
144/34.6  
3,809,135 A \* 5/1974 Dove ..... A01G 23/093  
144/34.6  
4,164,247 A 8/1979 Wolf

5,479,971 A \* 1/1996 Marshall ..... A01G 23/091  
144/218  
5,950,699 A 9/1999 Dove  
6,439,279 B1 8/2002 Underwood  
(Continued)

**OTHER PUBLICATIONS**

The Perfect Tree Saw, image post date Feb. 2013, site visited on Mar. 15, 2016 (online), <<http://www.tractorbynet.com/forums/land-clearing-equipment/328211-perfect-tree-saw.html>>.\*  
(Continued)

*Primary Examiner* — Sandra Snapp  
*Assistant Examiner* — Ieisha Price  
(74) *Attorney, Agent, or Firm* — Hovey Williams LLP

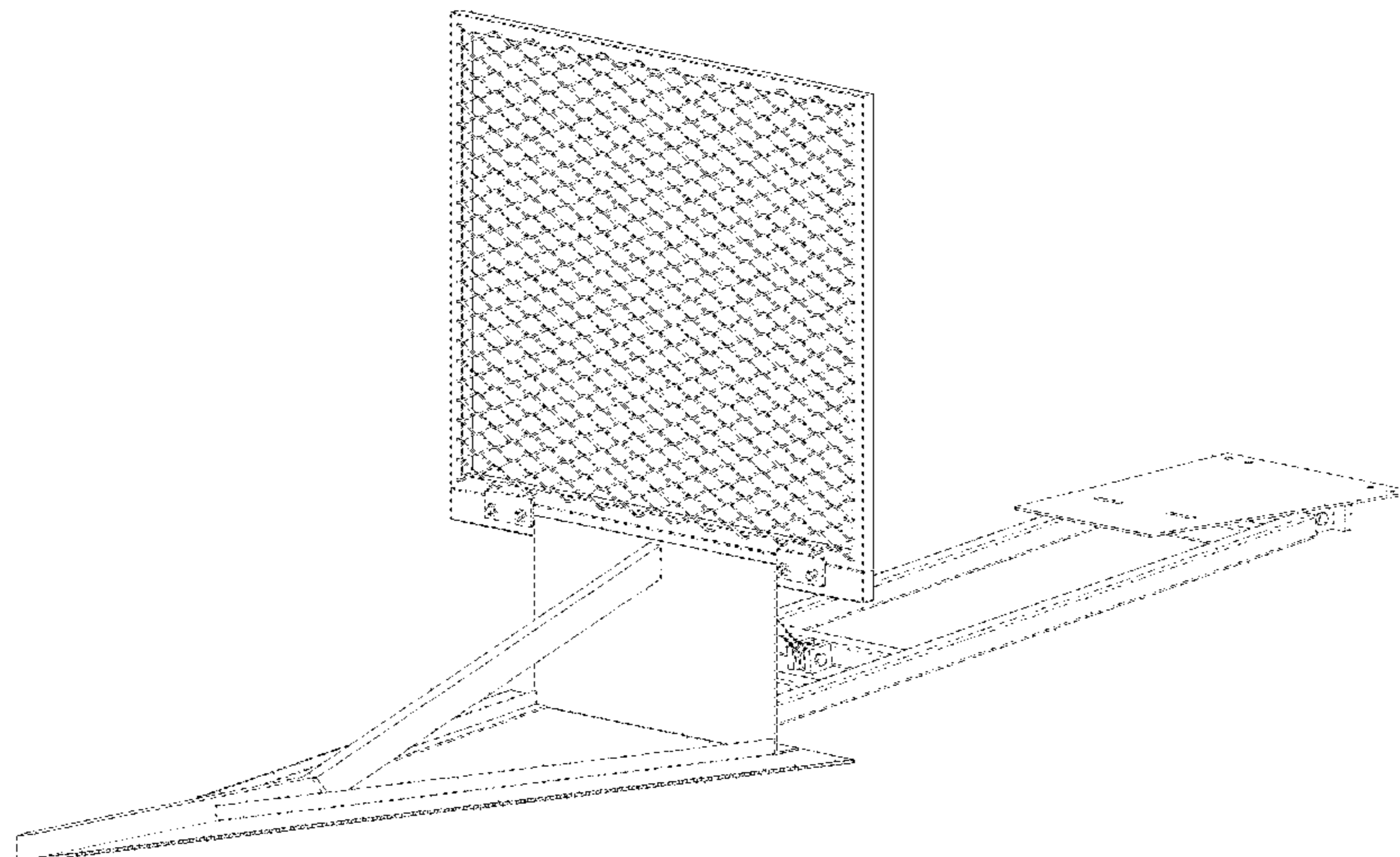
(57) **CLAIM**

The ornamental design for a vehicle saw attachment, as shown and described.

**DESCRIPTION**

FIG. 1 is a top left front perspective view of a vehicle saw attachment showing my new design; FIG. 2 is a top right rear perspective view of the vehicle saw attachment; FIG. 3 is a front elevational view of the vehicle saw attachment; FIG. 4 is a left elevational view of the vehicle saw attachment; FIG. 5 is a rear elevational view of the vehicle saw attachment; FIG. 6 is a right elevational view of the vehicle saw attachment; FIG. 7 is a top plan view of the vehicle saw attachment; and, FIG. 8 is a bottom plan view of the vehicle saw attachment. The broken lines in the drawings illustrate portions of the vehicle saw attachment and form no part of the claimed design.

**1 Claim, 5 Drawing Sheets**



(56)

**References Cited**

U.S. PATENT DOCUMENTS

6,901,978	B2	6/2005	Simpson	
7,610,698	B2	11/2009	May	
2004/0182478	A1*	9/2004	Simpson	..... A01G 23/087 144/339
2010/0164202	A1	7/2010	Dilworth et al.	
2013/0146724	A1	6/2013	Werthauser	
2015/0173311	A1*	6/2015	Dove	..... A01G 23/091 83/13

OTHER PUBLICATIONS

Search Report dated Jun. 12, 2015 from related British Patent Application No. GB1422671.6; 4 pages.

\* cited by examiner

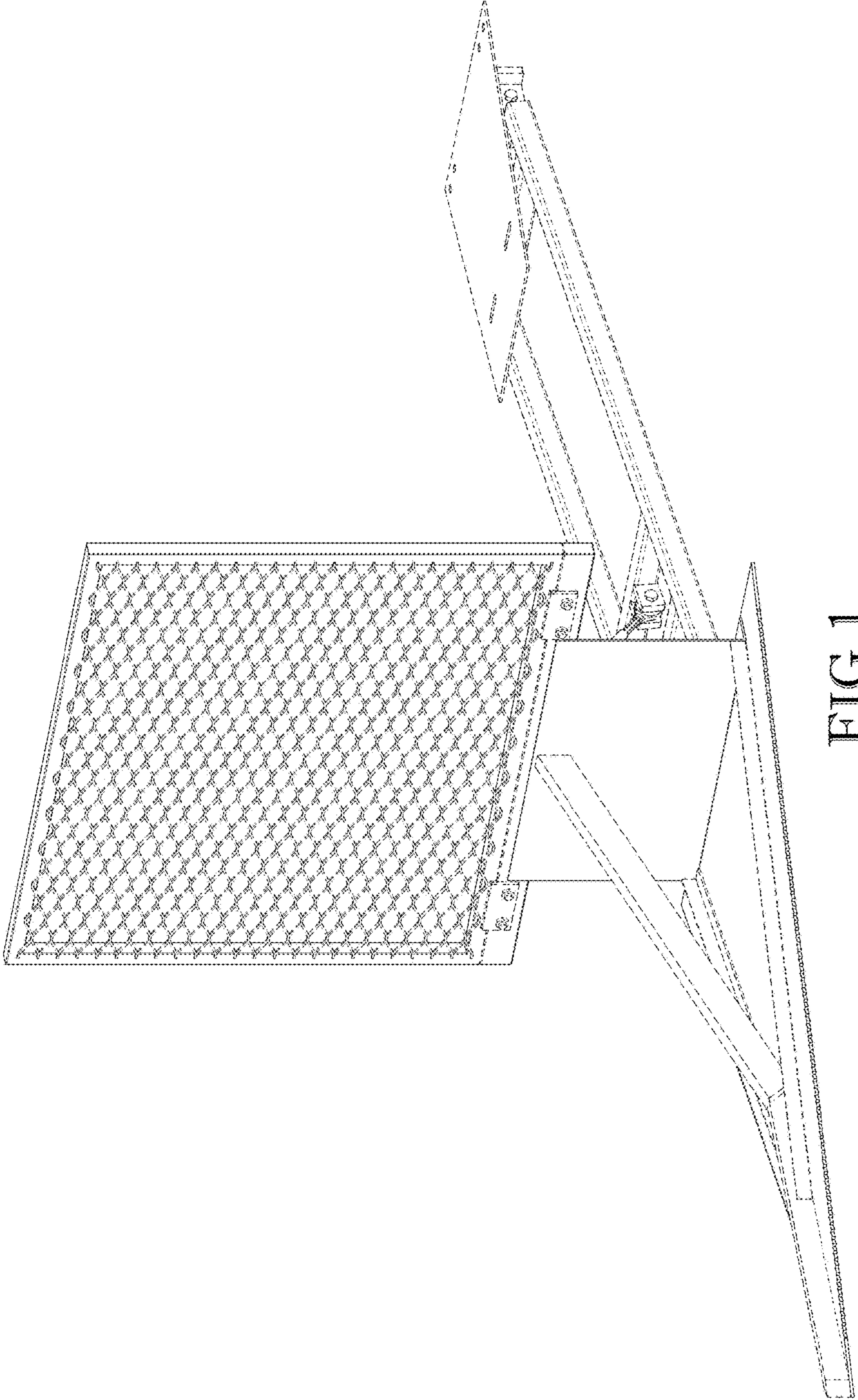


FIG. 1



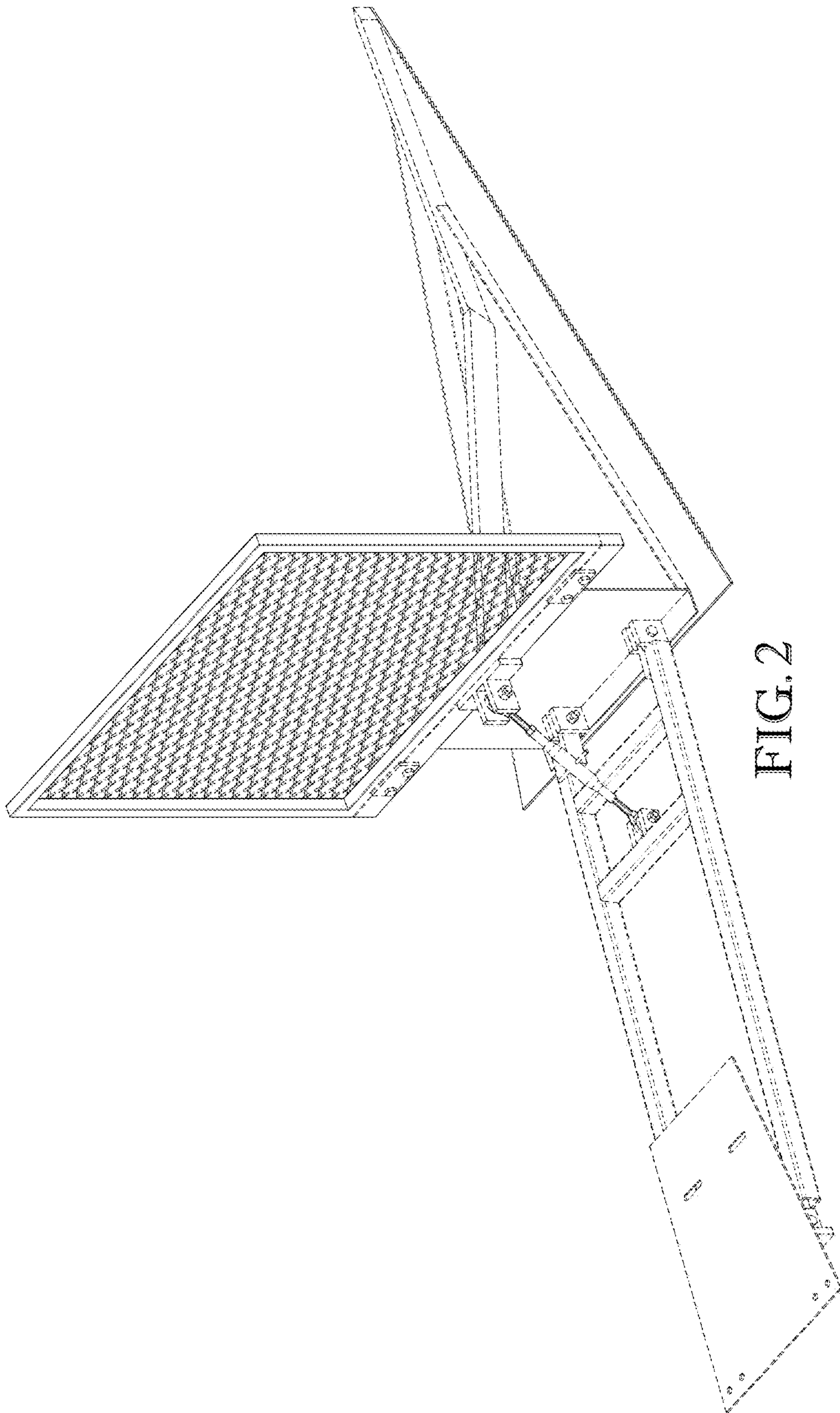


FIG. 2

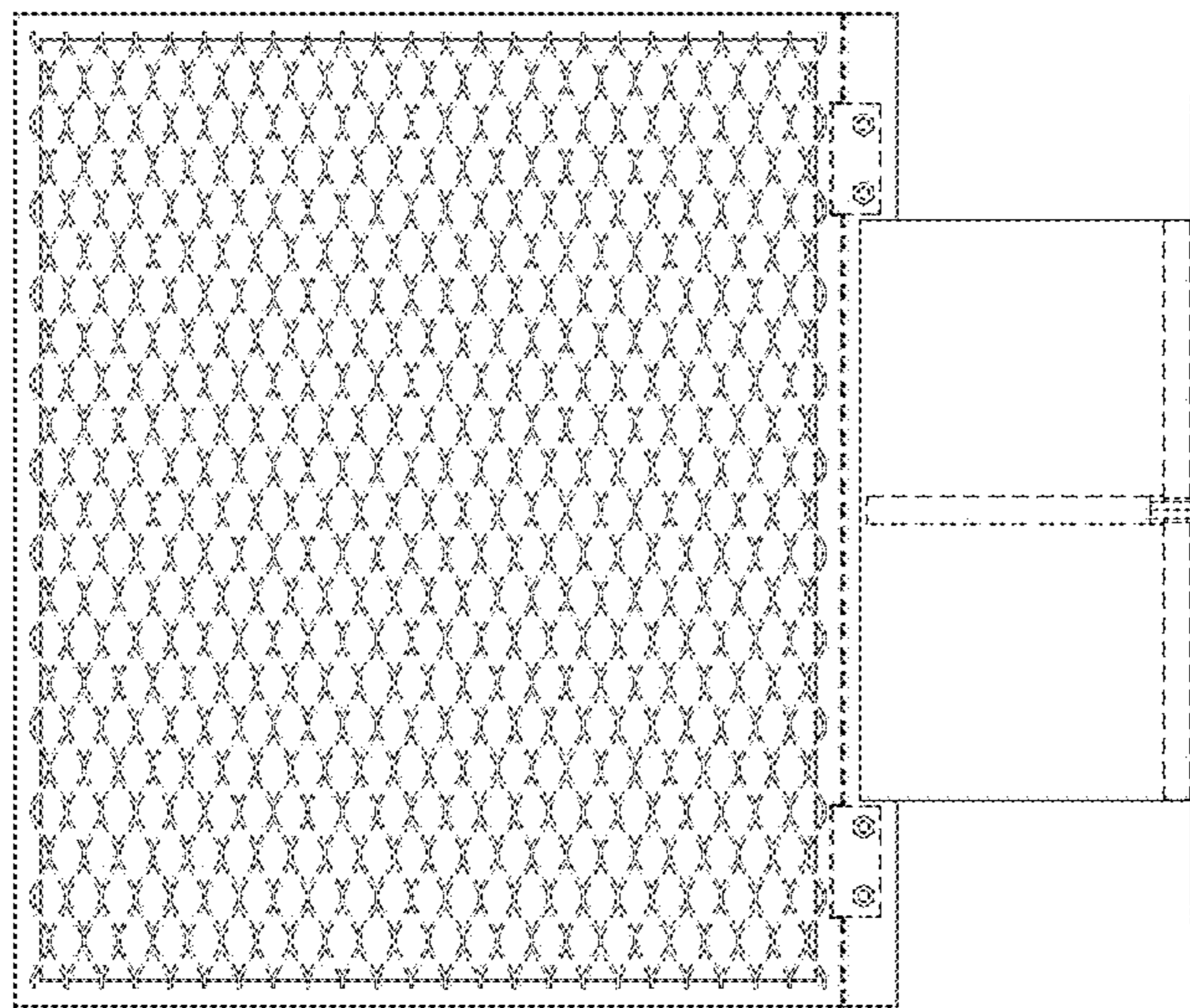


FIG. 3

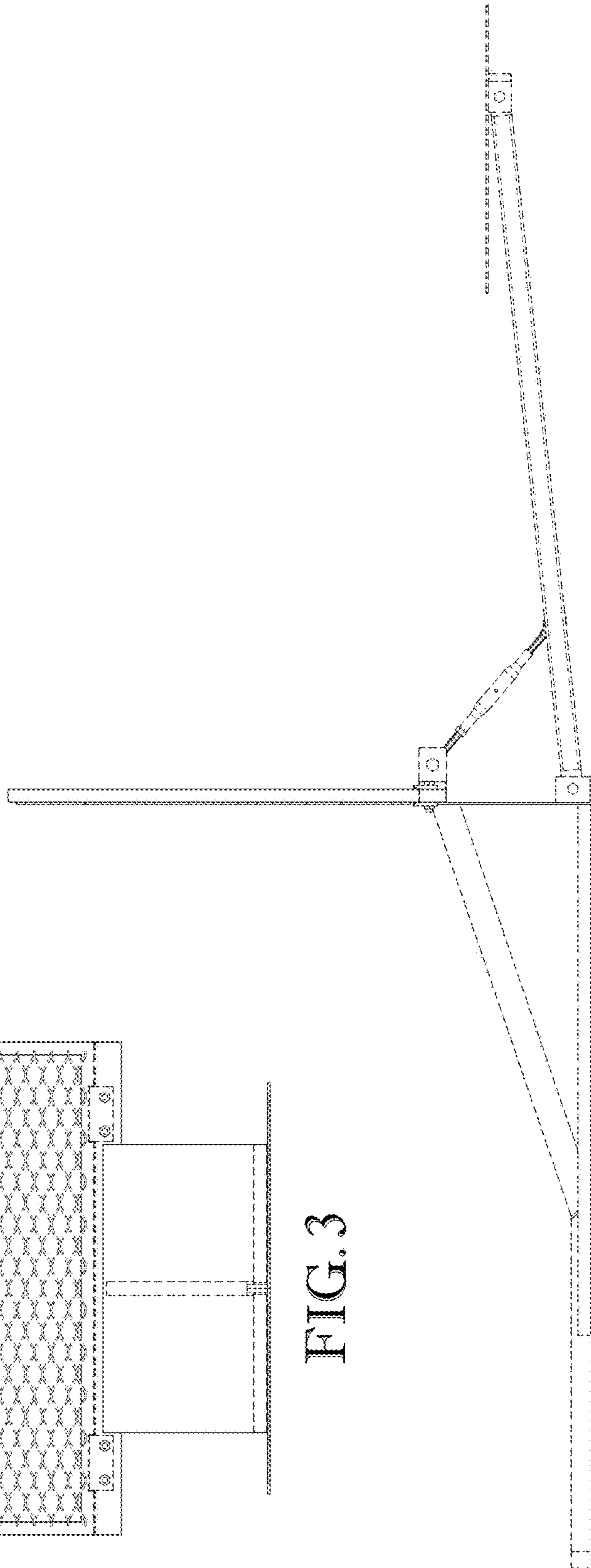


FIG. 4

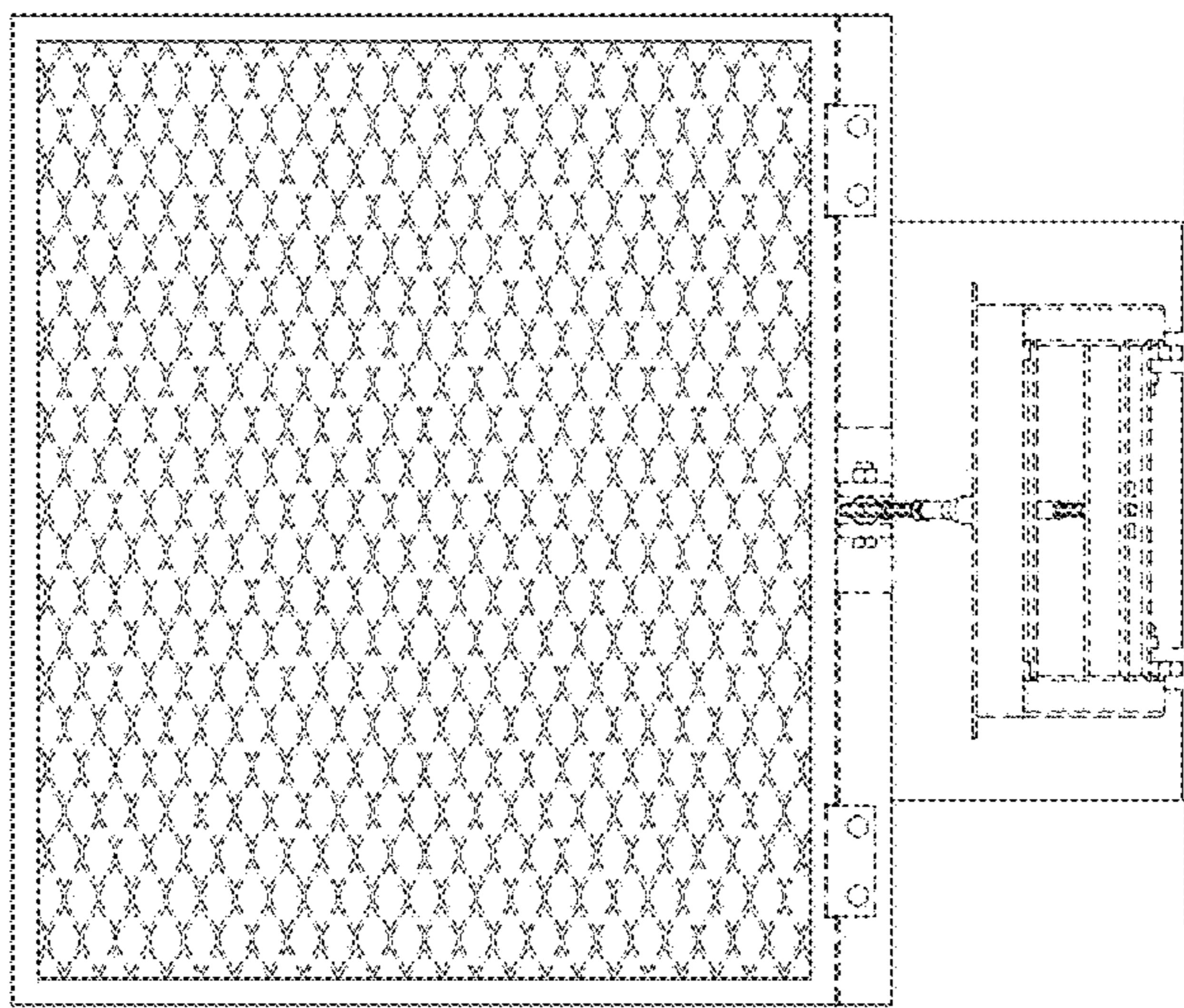


FIG. 5

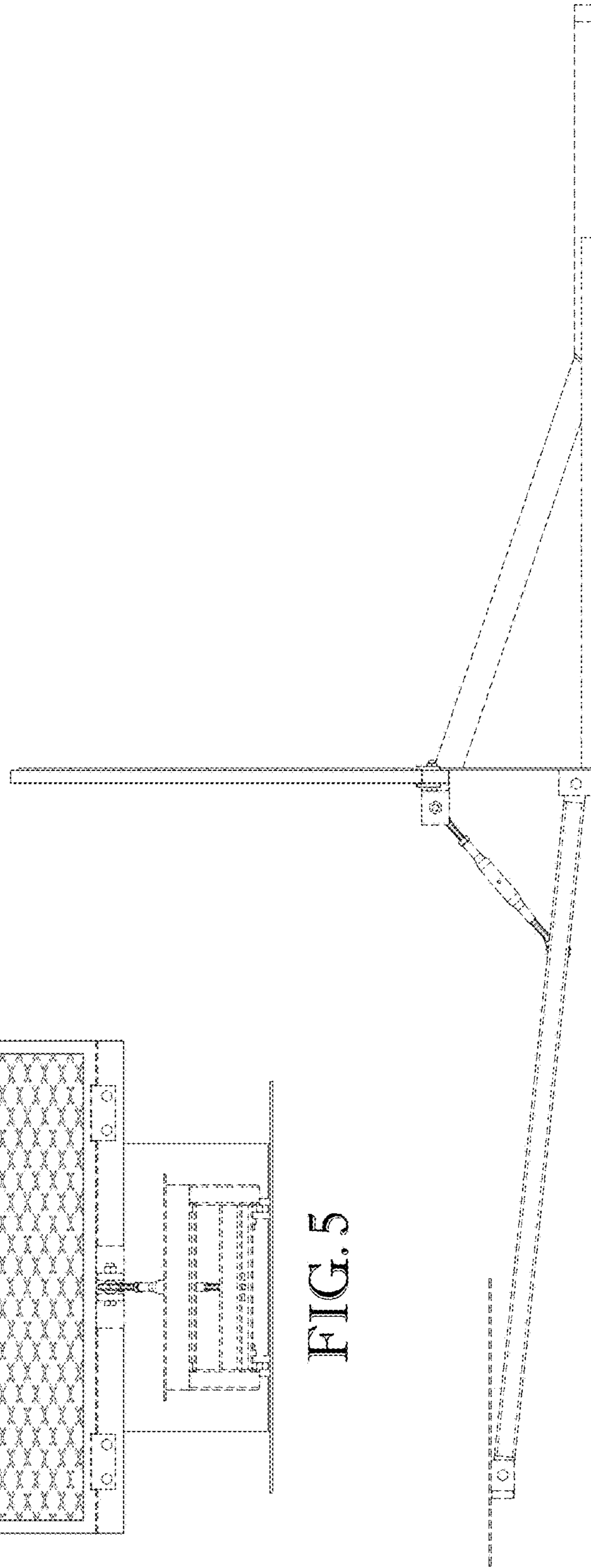


FIG. 6



