

US00D774851S

(12) **United States Design Patent** (10) **Patent No.:** **US D774,851 S**  
**Yamamoto** (45) **Date of Patent:** **\*\* Dec. 27, 2016**

(54) **MANDOLIN SLICER**  
(71) Applicant: **BENRINER CO., LTD**, Yamaguchi (JP)  
(72) Inventor: **Hajime Yamamoto**, Yamaguchi (JP)  
(73) Assignee: **Benriner Co., LTD**, Yamaguchi (JP)  
(\*\*) Term: **14 Years**

D576,844 S \* 9/2008 Sawhey ..... D7/673  
D577,266 S \* 9/2008 Sawhney ..... D7/673  
D577,267 S \* 9/2008 Sawhey ..... D7/673  
D578,359 S \* 10/2008 Sawhey ..... D7/673  
D578,836 S \* 10/2008 Hood ..... D7/673  
D579,737 S \* 11/2008 Sawhey ..... D7/673  
D580,234 S \* 11/2008 Hood ..... D7/673  
D581,220 S \* 11/2008 Boerner ..... D7/673  
D596,467 S \* 7/2009 de Buyer ..... D7/693  
7,621,207 B2 \* 11/2009 Botsai ..... B26D 7/00  
30/278  
D610,414 S \* 2/2010 Boerner ..... D7/673  
7,694,615 B2 \* 4/2010 DiPietro ..... B26D 3/283  
30/278

(21) Appl. No.: **29/507,496**  
(22) Filed: **Oct. 28, 2014**

(Continued)

(30) **Foreign Application Priority Data**

Sep. 22, 2014 (JP) ..... 2014-020915  
(51) **LOC (10) Cl.** ..... **07-04**  
(52) **U.S. Cl.**  
USPC ..... **D7/673**  
(58) **Field of Classification Search**  
USPC ... D7/672-678, 693; 30/403; 83/425.3, 656,  
83/698.11  
CPC ..... A47J 43/25; A47J 43/00; B26D 7/01;  
B26D 7/06; B26D 1/00  
See application file for complete search history.

FOREIGN PATENT DOCUMENTS

JP 1278299 8/2006  
*Primary Examiner* — Rosemary K Tarcza  
*Assistant Examiner* — James Thorn, Sr.  
(74) *Attorney, Agent, or Firm* — Fattibene and Fattibene  
LLC; Paul A. Fattibene

(57) **CLAIM**

The ornamental design for a mandolin slicer, as shown and described.

**DESCRIPTION**

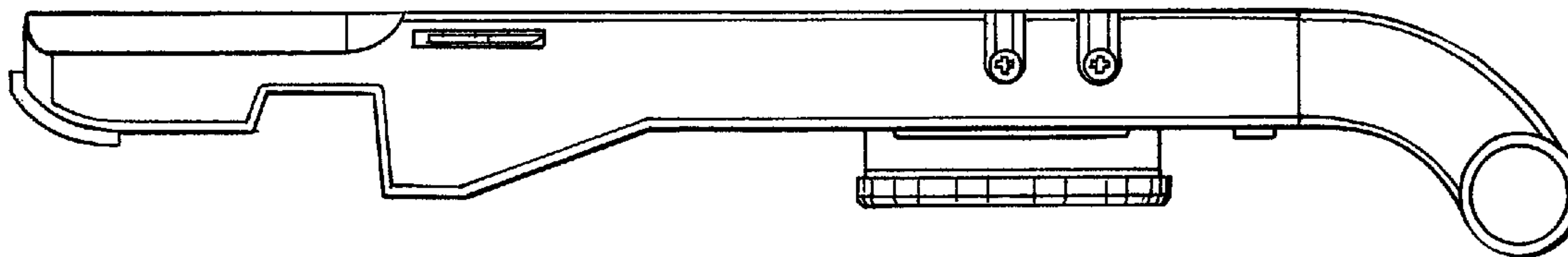
FIG. 1 is a front elevation view a mandolin slicer showing the new design;  
FIG. 2 is a is a rear elevation view thereof;  
FIG. 3 is a top plan thereof;  
FIG. 4 is a bottom plan view thereof;  
FIG. 5 is a left side elevation view thereof;  
FIG. 6 is a right side elevation view thereof;  
FIG. 7 is a top perspective view thereof; and,  
FIG. 8 is a bottom perspective view thereof.  
The broken lines shown are for illustrative purposes only and from no part of the claimed design.

(56) **References Cited**

U.S. PATENT DOCUMENTS

D354,886 S \* 1/1995 Diefenbach ..... D7/678  
5,711,491 A \* 1/1998 Molo ..... A47J 43/25  
241/100  
D393,576 S \* 4/1998 Wong ..... D7/678  
D498,650 S \* 11/2004 Boilen ..... D7/678  
D505,301 S \* 5/2005 Wong ..... D7/673  
7,066,071 B2 \* 6/2006 Zeder ..... B26D 3/283  
30/278  
D535,160 S \* 1/2007 Ishii ..... D7/673  
D569,200 S \* 5/2008 Chalfant ..... D7/672  
D574,675 S \* 8/2008 Debuyer ..... D7/673

**1 Claim, 8 Drawing Sheets**



(56)

**References Cited**

U.S. PATENT DOCUMENTS

D625,567	S *	10/2010	Wong	.....	D7/673
D625,568	S *	10/2010	Wong	.....	D7/673
D635,410	S *	4/2011	Repac	.....	D7/384
D642,875	S *	8/2011	Mah	.....	D7/673
D650,642	S *	12/2011	Fung	.....	D7/673
D651,483	S *	1/2012	Bagley	.....	D7/673
D690,564	S *	10/2013	Tetreault	.....	D7/673
D729,594	S *	5/2015	Stewart	.....	D7/673
D730,704	S *	6/2015	Repac	.....	D7/672
D744,793	S *	12/2015	Lipscomb	.....	D7/673
2006/0123639	A1 *	6/2006	Boerner	.....	B26D 3/283 30/404
2007/0062349	A1 *	3/2007	Ishii	.....	B26D 3/283 83/13
2008/0257128	A1 *	10/2008	Reimann	.....	B26D 3/283 83/699.61
2009/0255391	A1 *	10/2009	Hood	.....	B26D 3/283 83/648
2010/0116153	A1 *	5/2010	Chen	.....	A47J 43/04 99/538
2010/0122465	A1 *	5/2010	Holmes	.....	A47J 43/25 30/275.4
2010/0263514	A1 *	10/2010	Mah	.....	B26D 3/283 83/856

\* cited by examiner

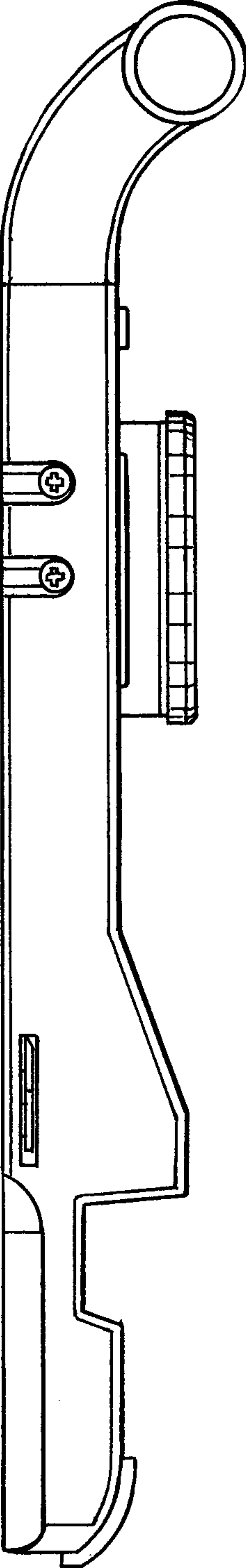


FIG. 1

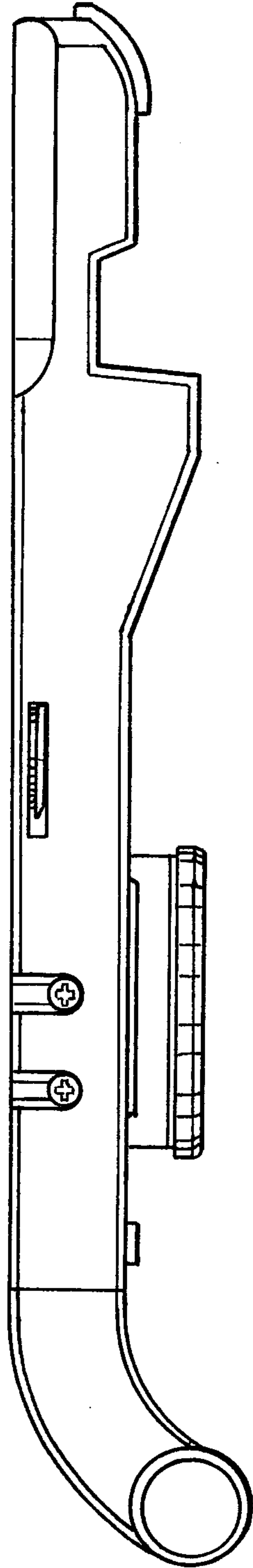


FIG. 2

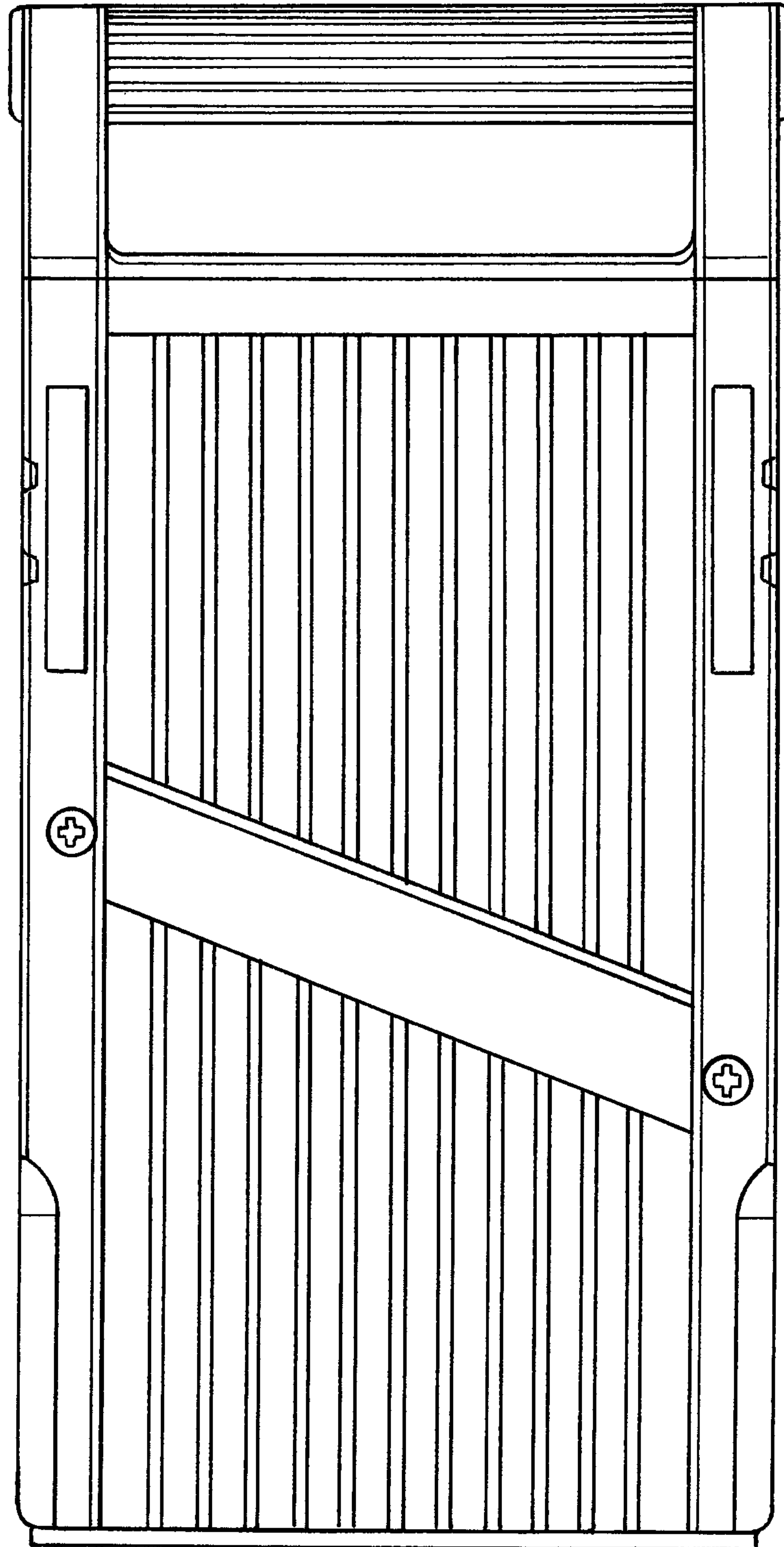


FIG. 3

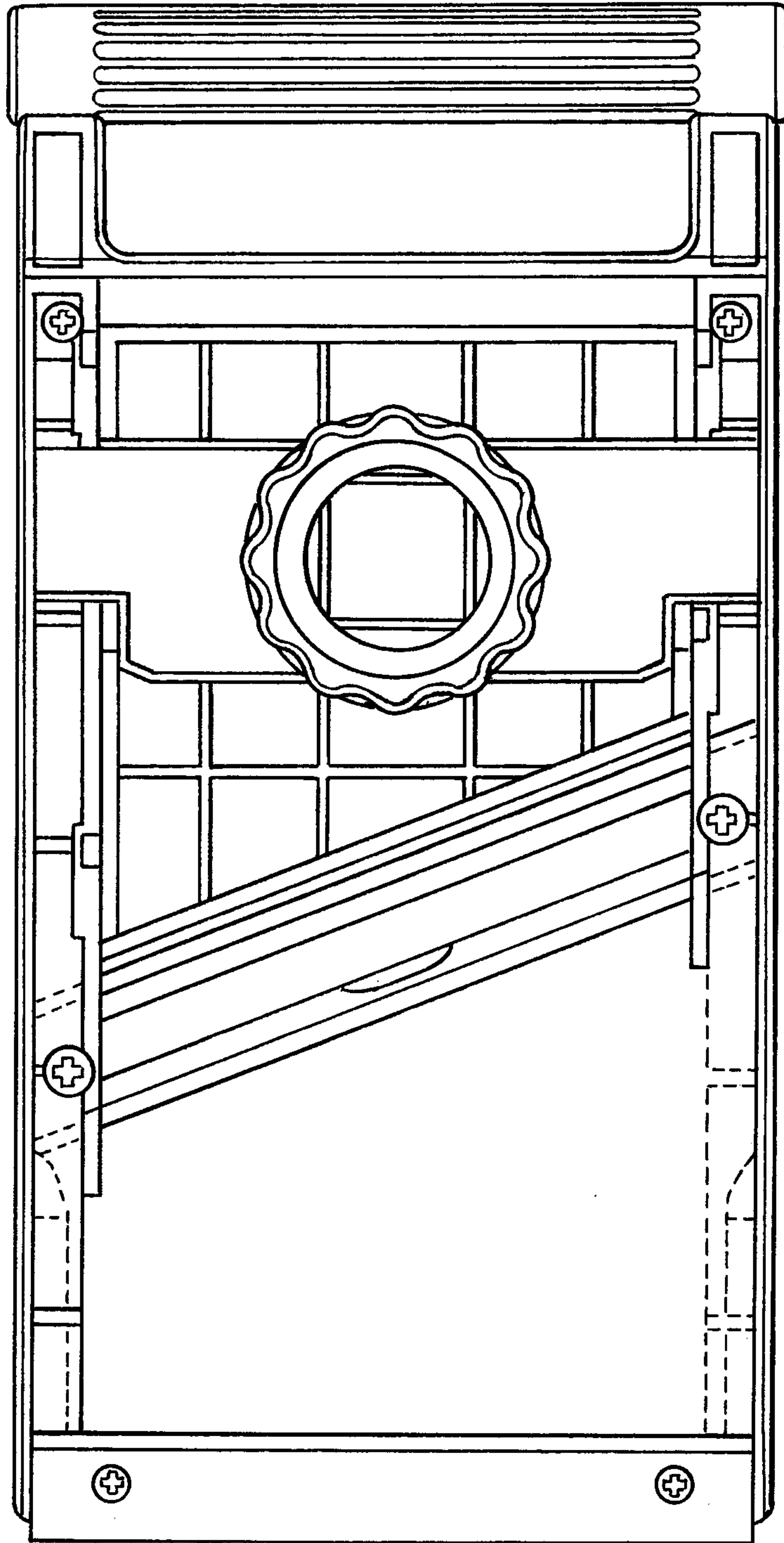
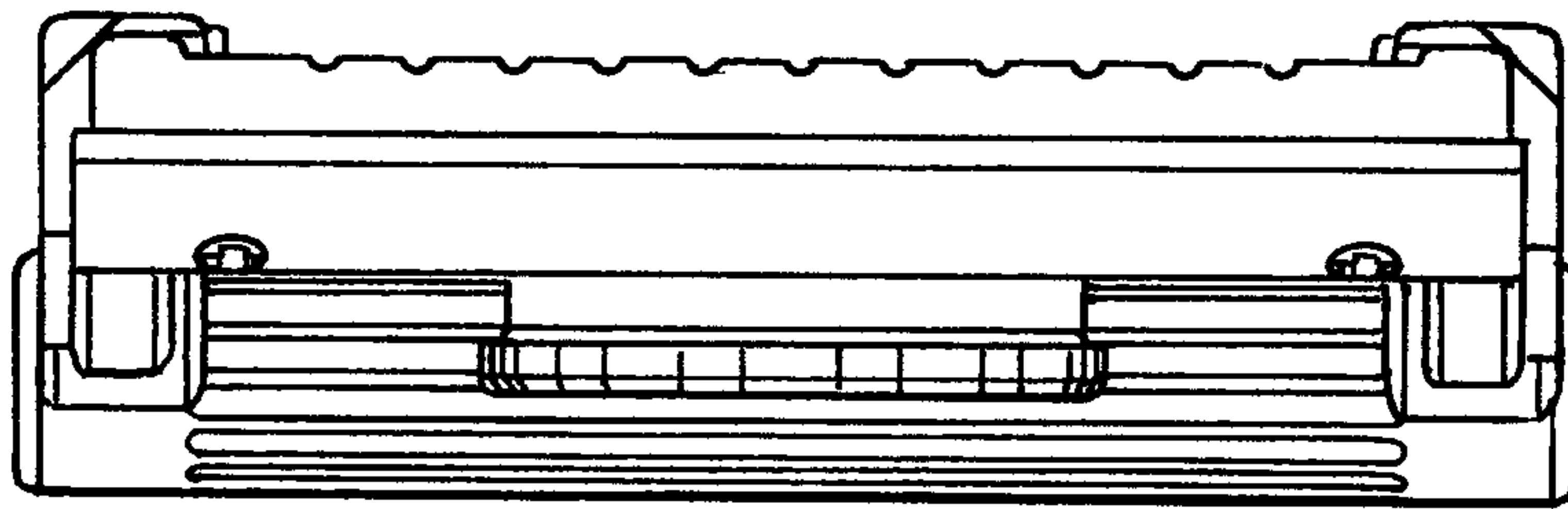
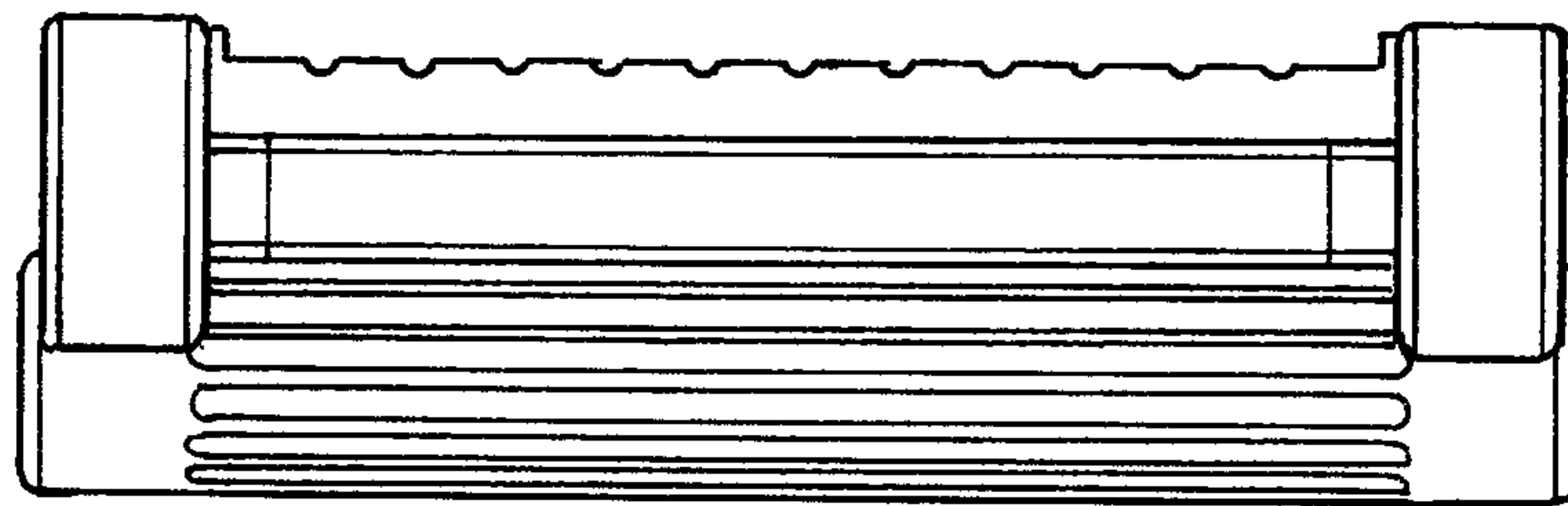


FIG. 4



*FIG. 5*





*FIG. 6*



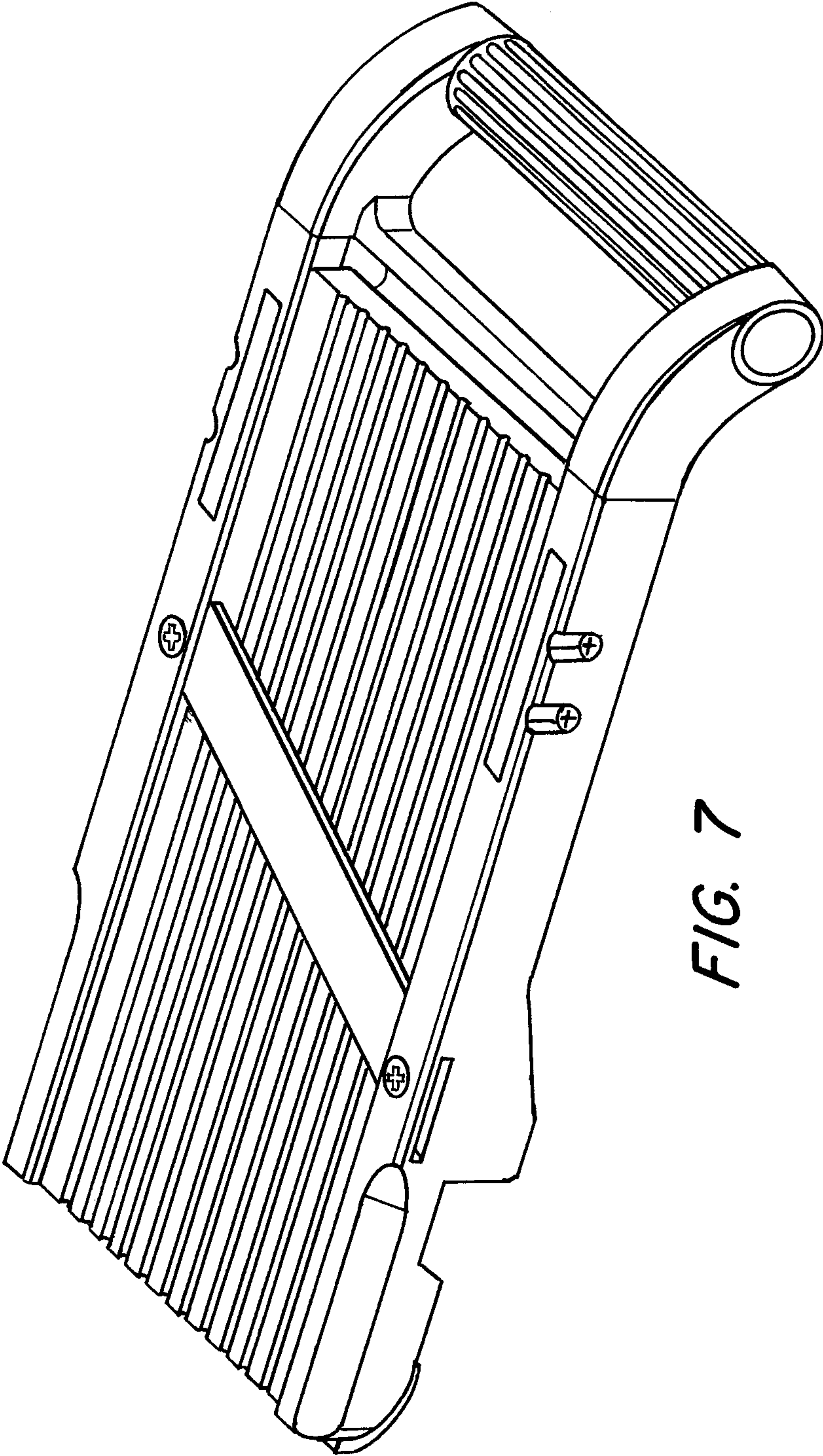


FIG. 7

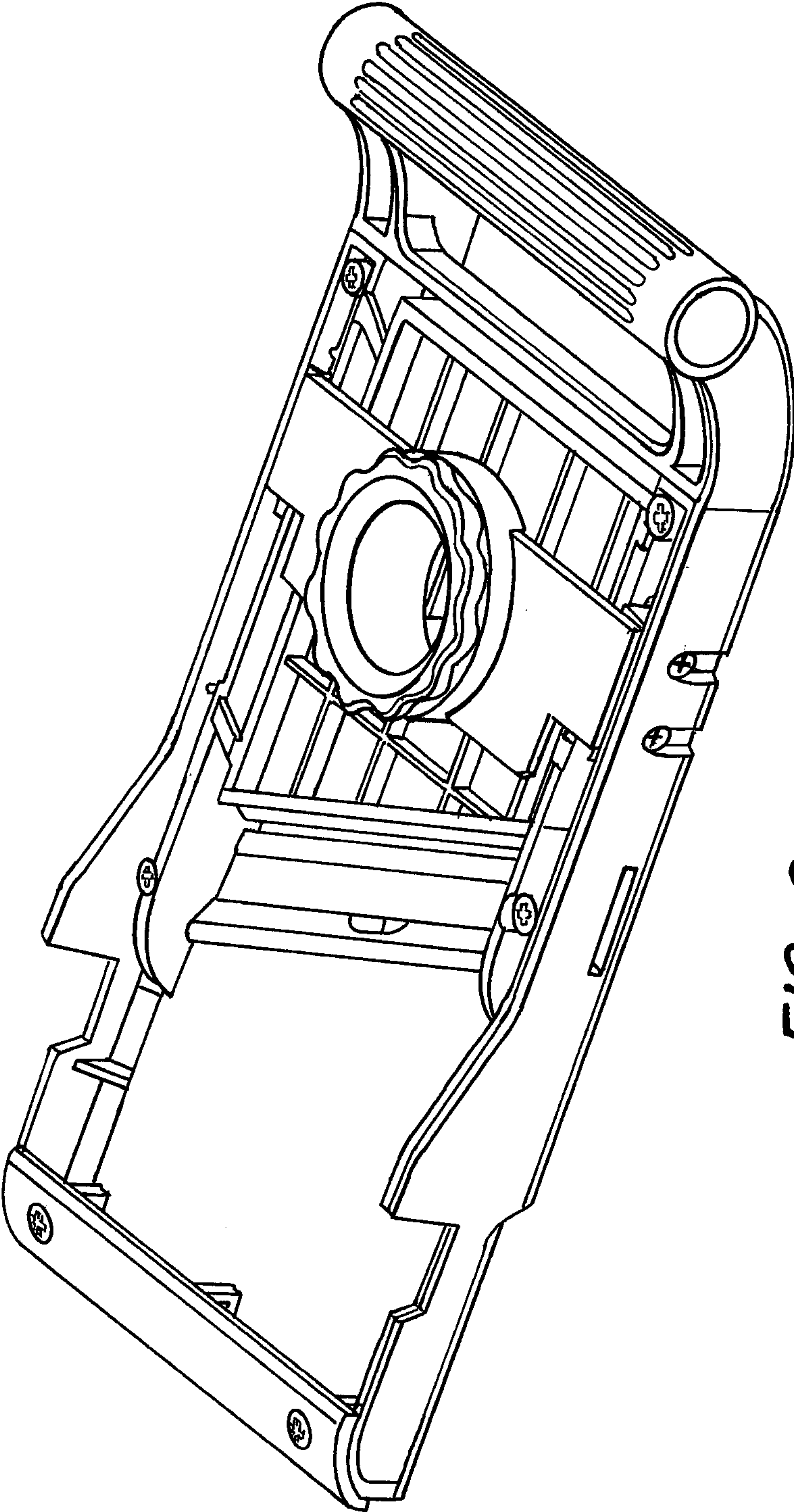


FIG. 8