



US00D774850S

(12) **United States Design Patent** (10) **Patent No.:** **US D774,850 S**
Yamamoto (45) **Date of Patent:** **** Dec. 27, 2016**

(54) **MANDOLIN SLICER**
(71) Applicant: **BENRINER CO., LTD**, Yamaguchi (JP)
(72) Inventor: **Hajime Yamamoto**, Yamaguchi (JP)
(73) Assignee: **Benriner Co., LTD**, Yamaguchi (JP)
(**) Term: **14 Years**
(21) Appl. No.: **29/507,487**
(22) Filed: **Oct. 28, 2014**

(30) **Foreign Application Priority Data**
Sep. 22, 2014 (JP) 2014-020914
(51) **LOC (10) Cl.** **07-04**
(52) **U.S. Cl.**
USPC **D7/673**
(58) **Field of Classification Search**
USPC D7/672-78, 693; 30/403; 83/425.3, 656, 83/698.11
CPC A47J 43/25; A47J 43/00; B26D 7/01; B26D 7/06; B26D 1/00
See application file for complete search history.

(56) **References Cited**
U.S. PATENT DOCUMENTS
D354,886 S * 1/1995 Diefenbach D7/678
5,711,491 A * 1/1998 Molo A47J 43/25 241/100
D393,576 S * 4/1998 Wong D7/678
D498,650 S * 11/2004 Boilen D7/678
D505,301 S * 5/2005 Wong D7/673
7,066,071 B2 * 6/2006 Zeder B26D 3/283 30/278
D535,160 S * 1/2007 Ishii D7/673
D569,200 S * 5/2008 Chalfant D7/672
D574,675 S * 8/2008 Debuyer D7/673

D576,844 S * 9/2008 Sawhey D7/673
D577,266 S * 9/2008 Sawhney D7/673
D578,359 S * 10/2008 Sawhey D7/673
D578,836 S * 10/2008 Hood D7/673
D579,737 S * 11/2008 Sawhey D7/673
D580,234 S * 11/2008 Hood D7/673
D581,220 S * 11/2008 Boerner D7/673
D596,467 S * 7/2009 de Buyer D7/693
7,621,207 B2 * 11/2009 Botsai B26D 7/00 30/278
D610,414 S * 2/2010 Boerner D7/673
7,694,615 B2 * 4/2010 DiPietro B26D 3/283 30/278
D625,567 S * 10/2010 Wong D7/673

(Continued)

FOREIGN PATENT DOCUMENTS

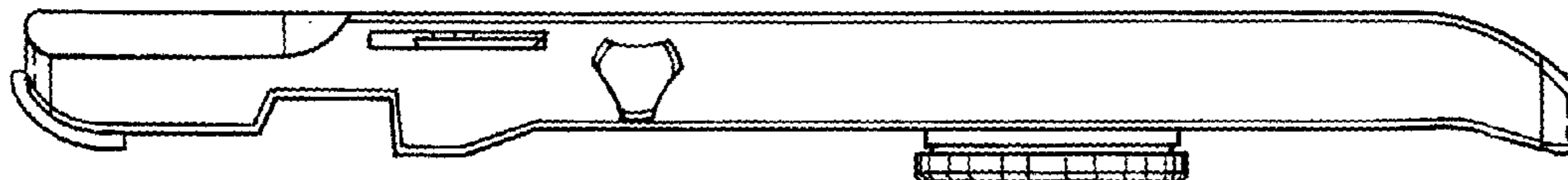
JP 1278299 8/2006
Primary Examiner — Rosemary K Tarcza
Assistant Examiner — James Thorn, Sr.
(74) *Attorney, Agent, or Firm* — Fattibene and Fattibene L; Paul A. Fattibene

(57) **CLAIM**
The ornamental design for a mandolin slicer, as shown and described.

DESCRIPTION

FIG. 1 is a front elevation view a mandolin slicer showing the new design;
FIG. 2 is a is a rear elevation view thereof;
FIG. 3 is a top plan thereof;
FIG. 4 is a bottom plan view thereof;
FIG. 5 is a left side elevation view thereof;
FIG. 6 is a right side elevation view thereof;
FIG. 7 is a top perspective view thereof; and,
FIG. 8 is a bottom perspective view thereof.
The broken lines shown are for illustrative purposes only and from no part of the claimed design.

1 Claim, 8 Drawing Sheets



(56)

References Cited

U.S. PATENT DOCUMENTS

D625,568 S * 10/2010 Wong D7/673
D635,410 S * 4/2011 Repac D7/384
D642,875 S * 8/2011 Mah D7/673
D650,642 S * 12/2011 Fung D7/673
D651,483 S * 1/2012 Bagley D7/673
D690,564 S * 10/2013 Tetreault D7/673
D729,594 S * 5/2015 Stewart D7/673
D730,704 S * 6/2015 Repac D7/672
D744,793 S * 12/2015 Lipscomb D7/673
2006/0123639 A1 * 6/2006 Boerner B26D 3/283
30/404
2007/0062349 A1 * 3/2007 Ishii B26D 3/283
83/13
2008/0257128 A1 * 10/2008 Reimann B26D 3/283
83/699.61
2009/0255391 A1 * 10/2009 Hood B26D 3/283
83/648
2010/0116153 A1 * 5/2010 Chen A47J 43/04
99/538
2010/0122465 A1 * 5/2010 Holmes A47J 43/25
30/275.4

* cited by examiner

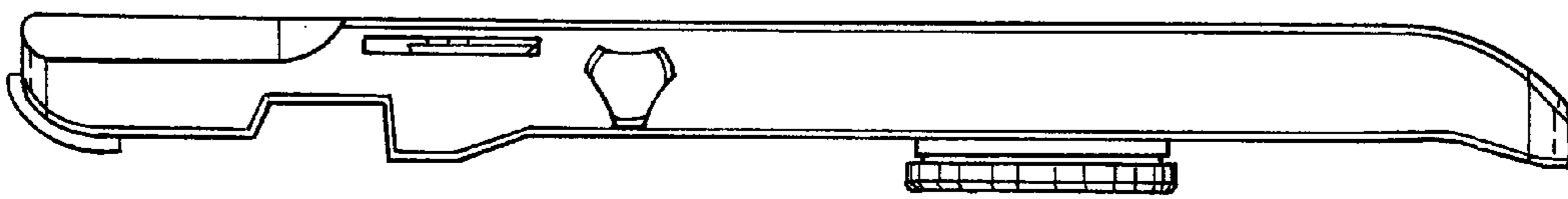


FIG. 1

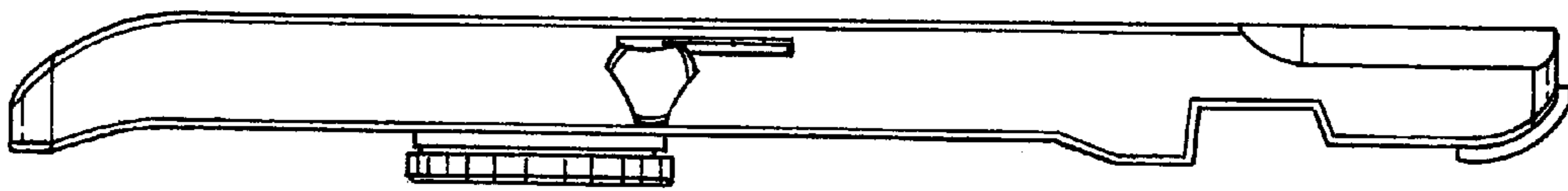


FIG. 2

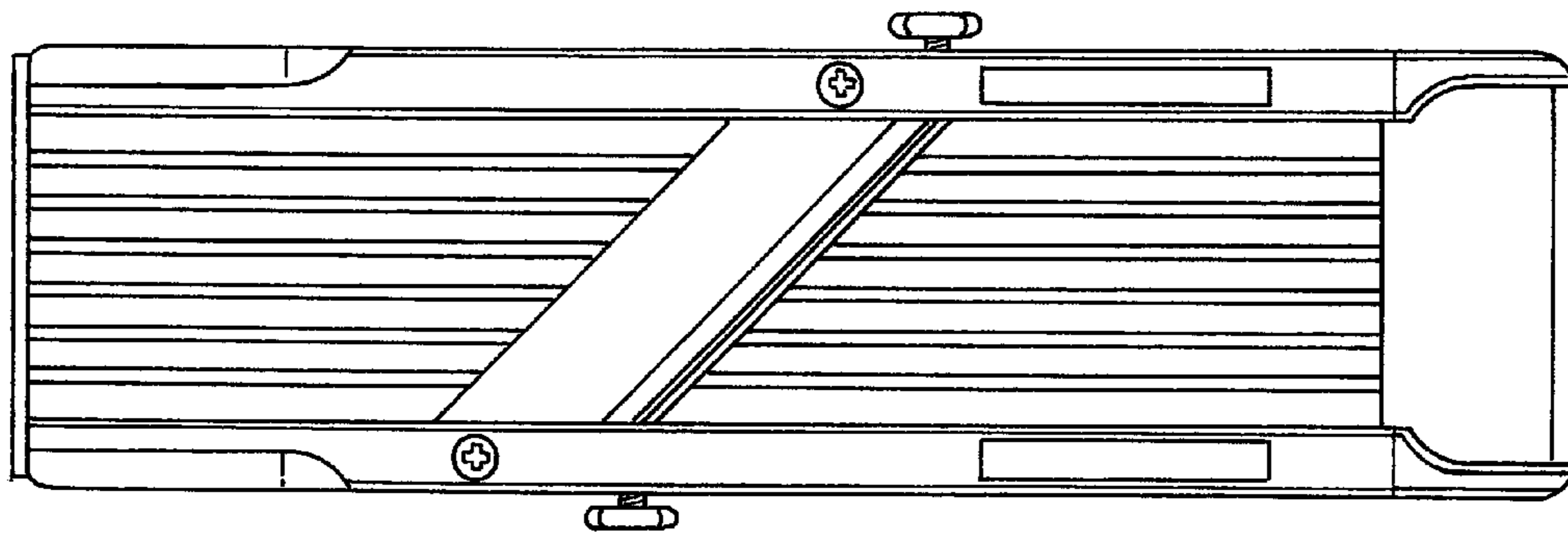


FIG. 3

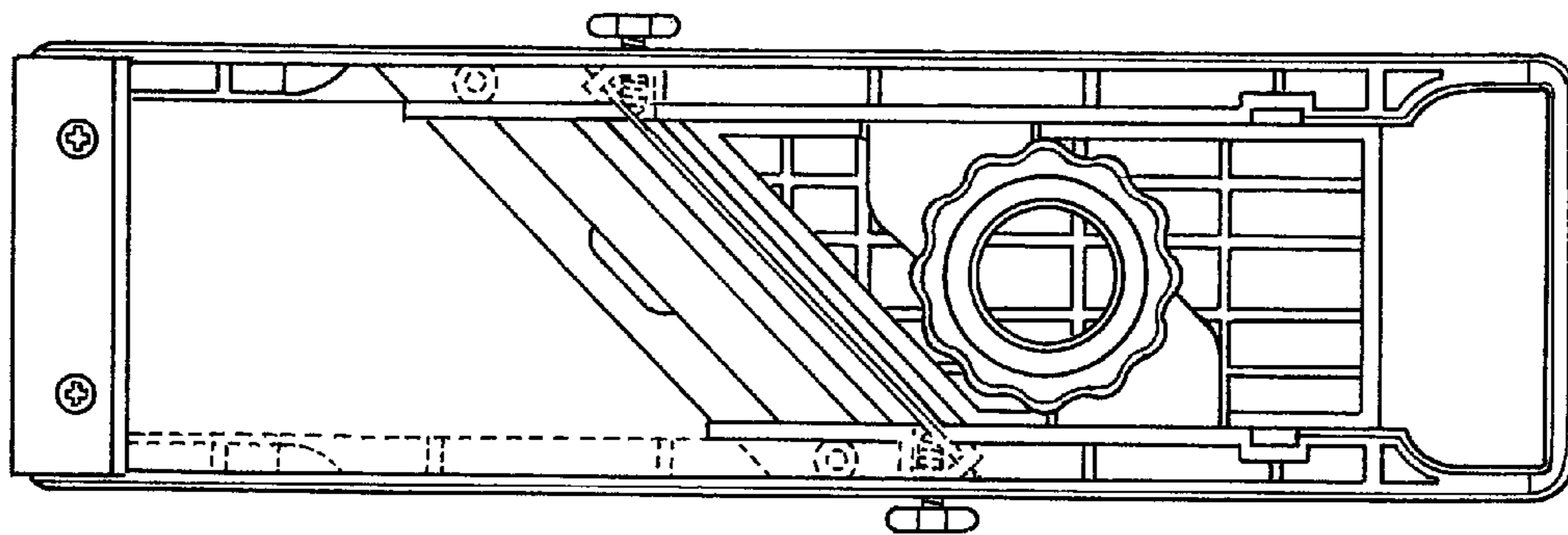


FIG. 4

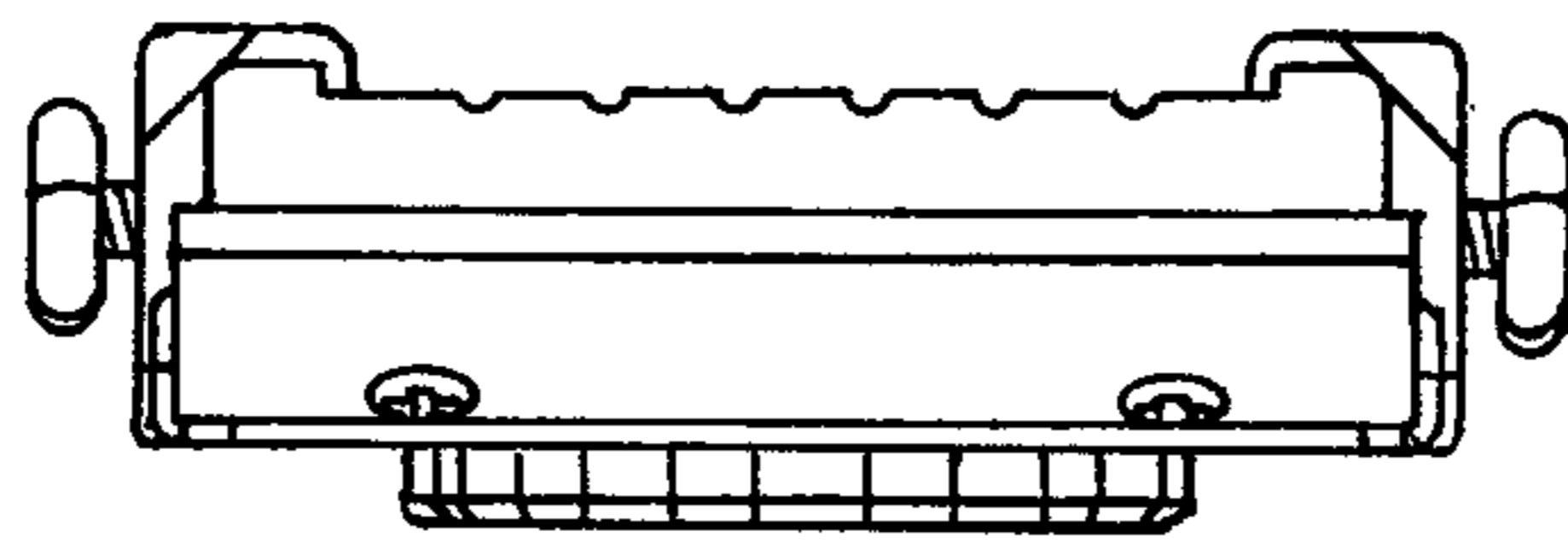


FIG. 5

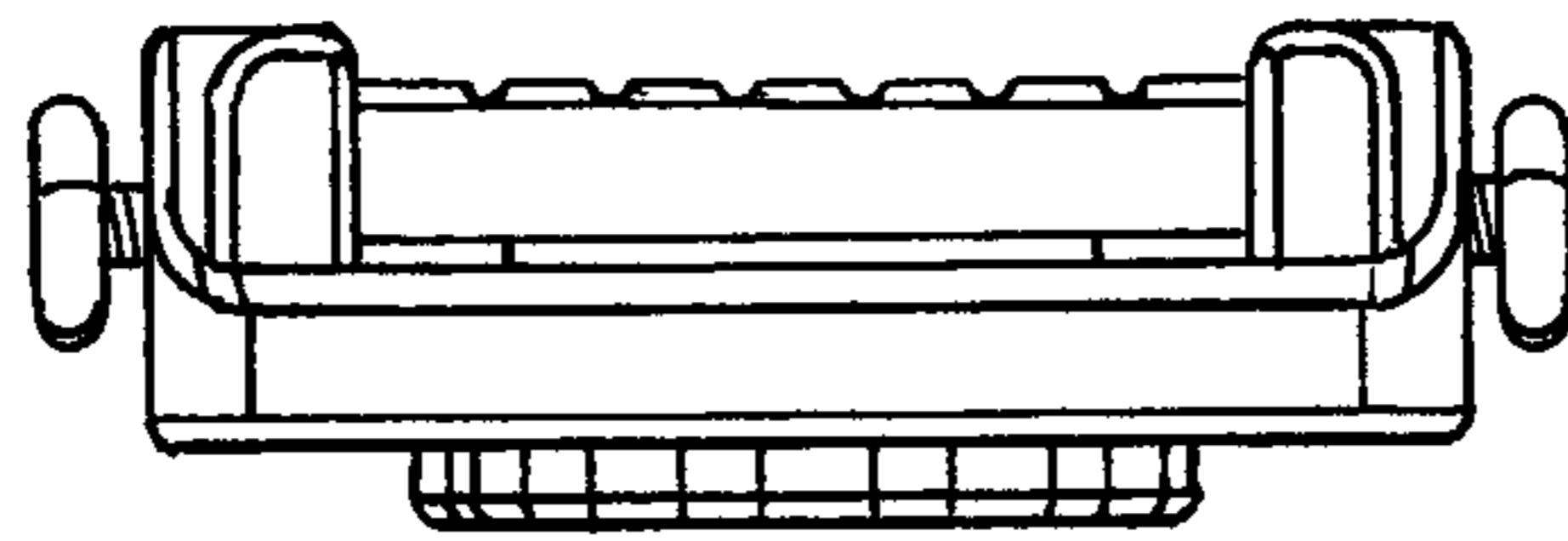


FIG. 6

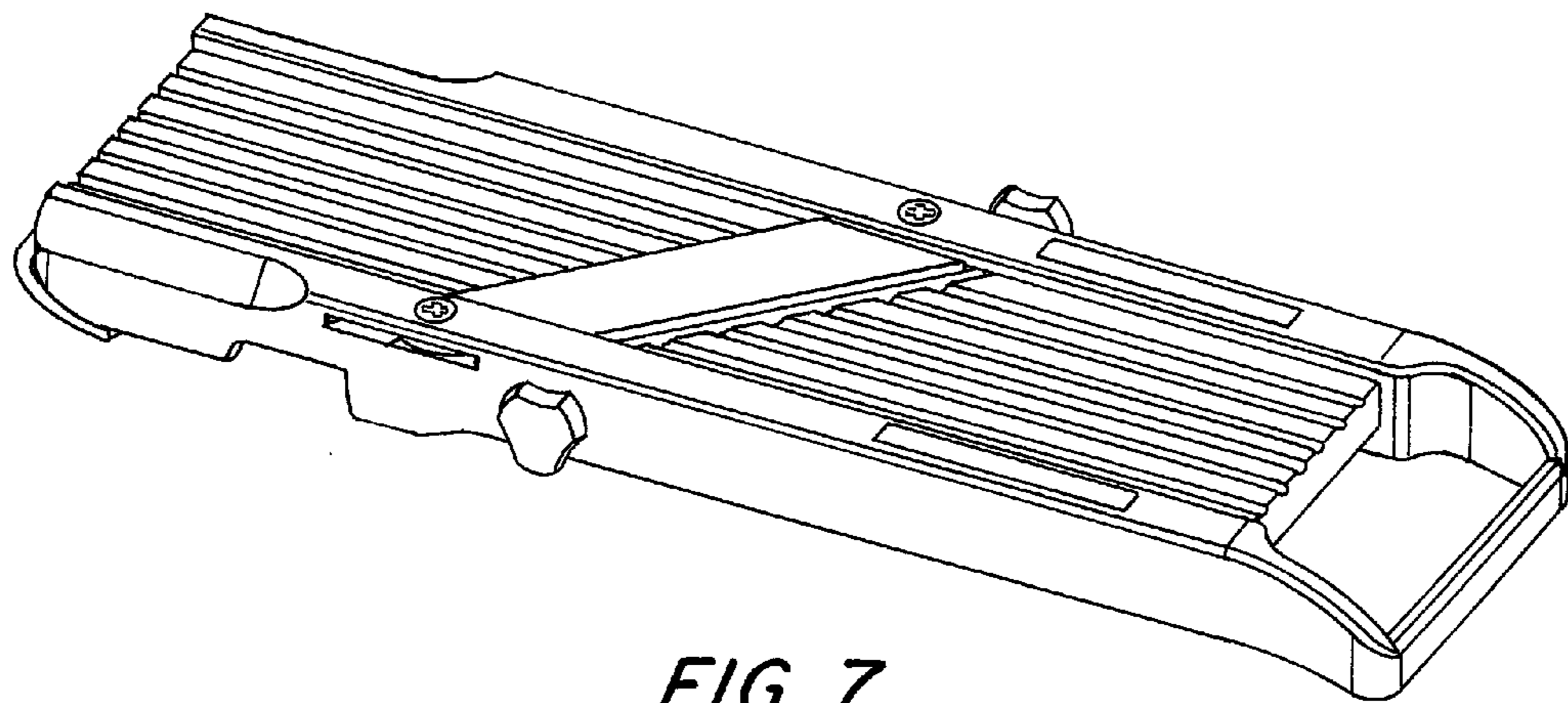


FIG. 7

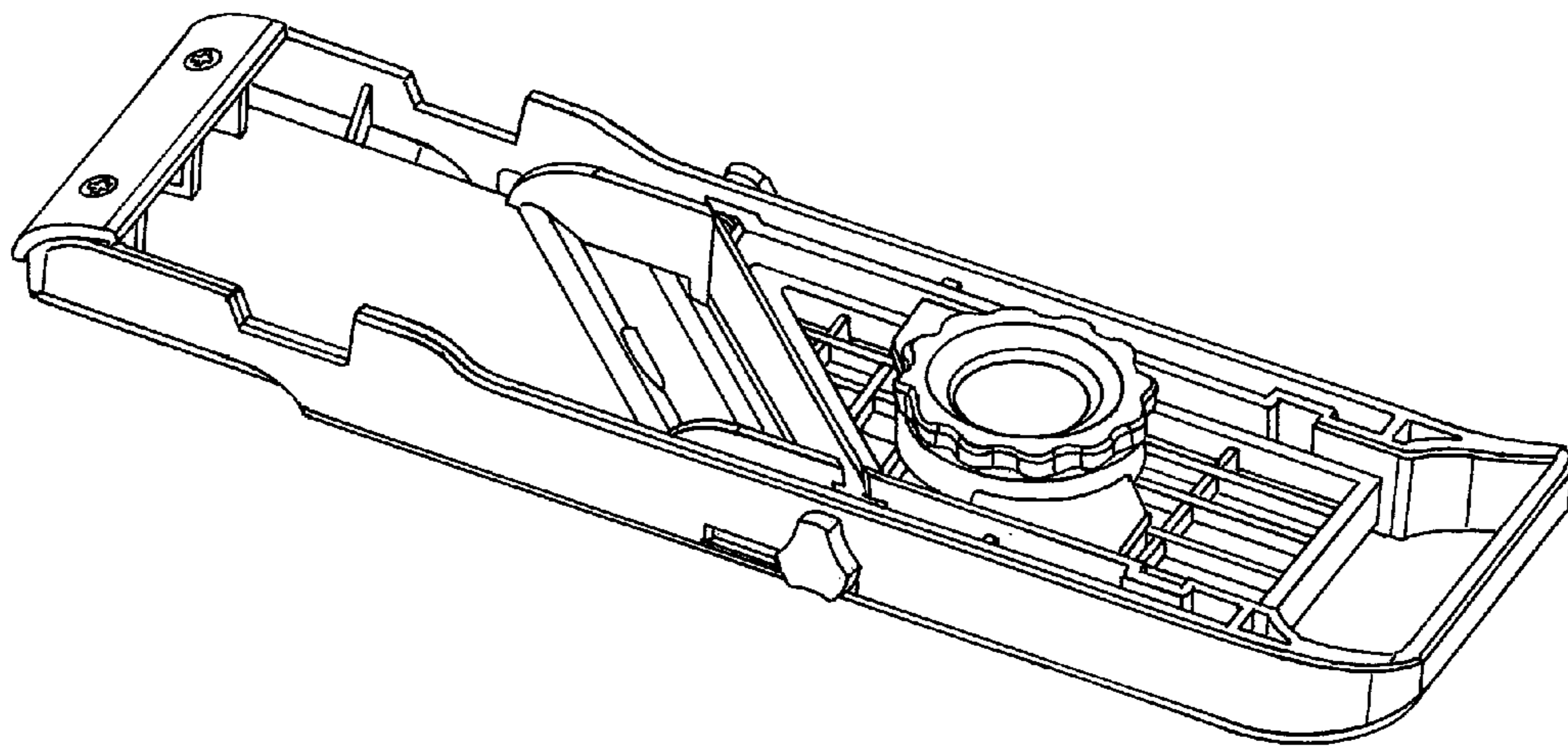


FIG. 8