



US00D774849S

(12) **United States Design Patent**
Yap et al.

(10) **Patent No.:** **US D774,849 S**
(45) **Date of Patent:** **** Dec. 27, 2016**

- (54) **BASKET FOR A SALAD SPINNER**
- (71) Applicant: **DKB HOUSEHOLD UK LIMITED**,
Hampshire (GB)
- (72) Inventors: **Jason Yap**, Hampshire (GB); **Oliver Breit**, Hampshire (GB)
- (73) Assignee: **DKB Household UK Limited** (GB)
- (**) Term: **15 Years**
- (21) Appl. No.: **29/535,182**
- (22) Filed: **Aug. 4, 2015**
- (30) **Foreign Application Priority Data**
- Feb. 4, 2015 (EM) 002626358-0014
- (51) **LOC (10) Cl.** **07-04**
- (52) **U.S. Cl.**
- USPC **D7/665**
- (58) **Field of Classification Search**
- USPC D7/665-668, 586, 587, 584, 629, 630,
D7/602
- CPC A47J 43/24; A47J 43/0727; F26B 5/08
- See application file for complete search history.

- 8,215,230 B2 * 7/2012 Curtin F26B 5/08
99/495
- 2007/0256315 A1 * 11/2007 Wong A47J 43/24
34/58
- 2008/0197046 A1 * 8/2008 So A47J 43/24
206/541

* cited by examiner

Primary Examiner — Terry Wallace

(74) *Attorney, Agent, or Firm* — Dorsey & Whitney LLP

- (56) **References Cited**
- U.S. PATENT DOCUMENTS**
- 7,111,546 B2 * 9/2006 Siegel A47J 43/24
34/194

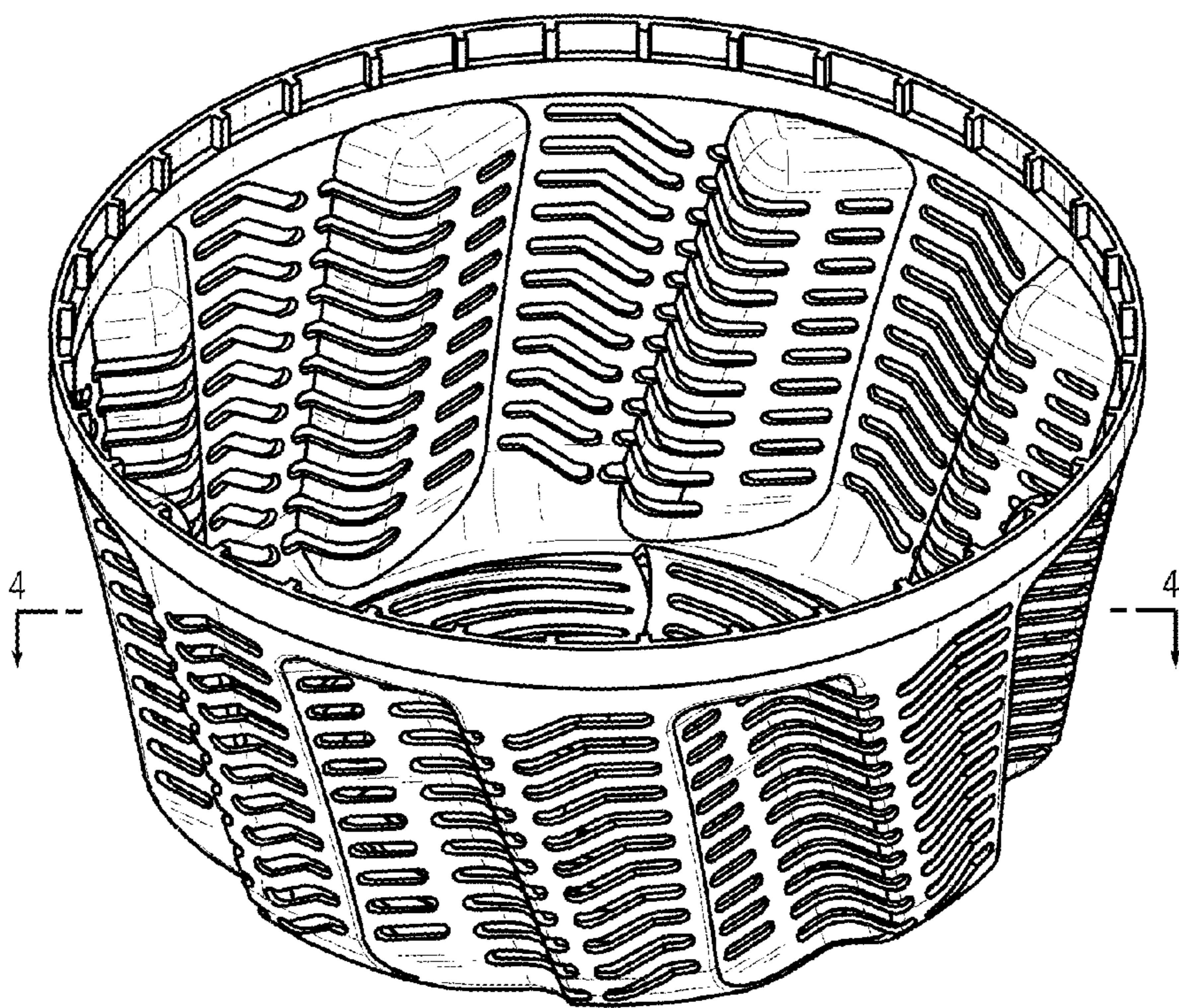
(57) **CLAIM**

The ornamental design for a basket for a salad spinner, as shown.

DESCRIPTION

FIG. 1 is a top isometric view of a basket for a salad spinner in accordance with the present design; FIG. 2 is top view thereof; FIG. 3 is a side view thereof; and, FIG. 4 is cross-section view thereof taken along line 4-4 of FIG. 1.

1 Claim, 4 Drawing Sheets



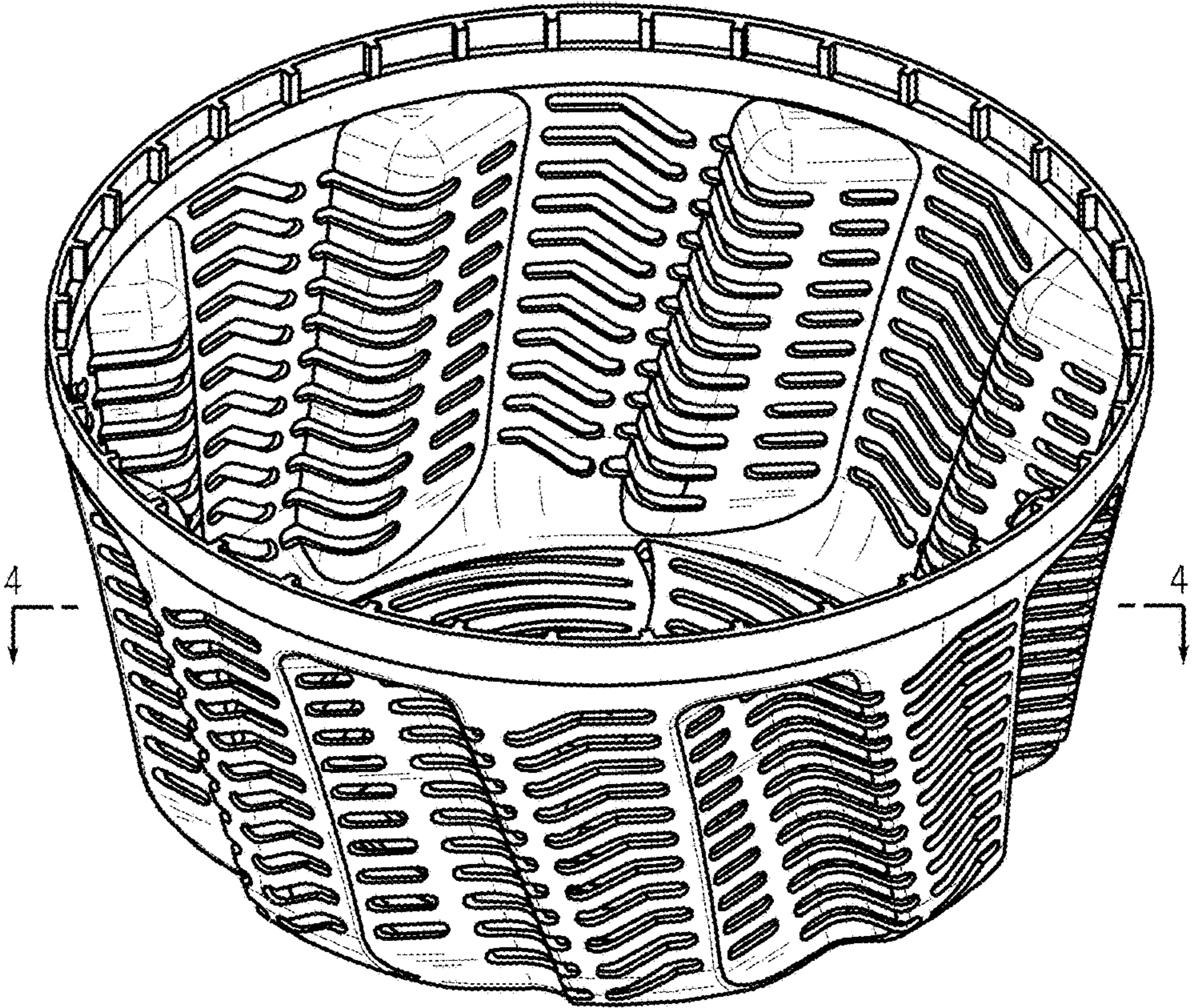


FIG. 1

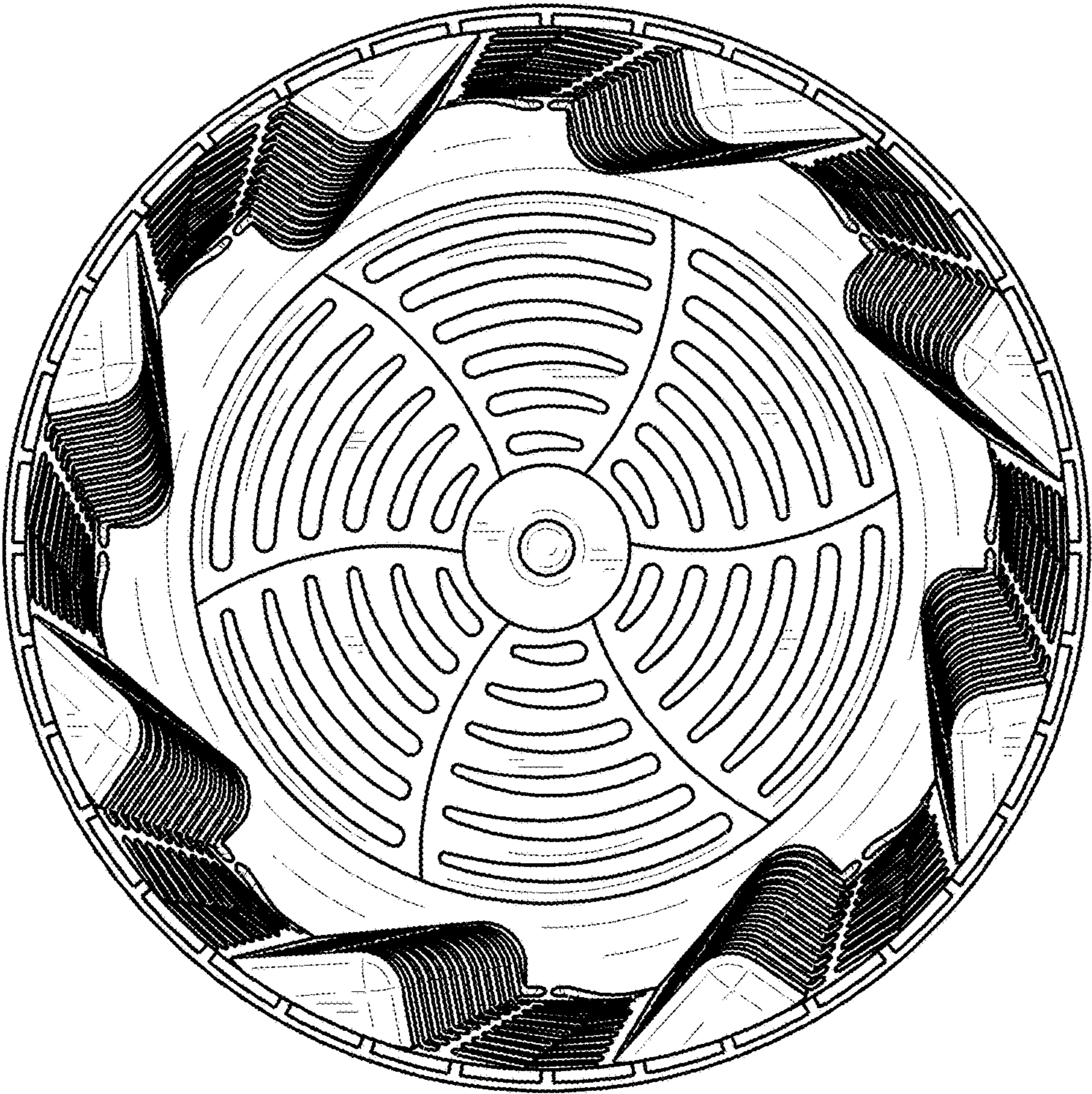


FIG. 2

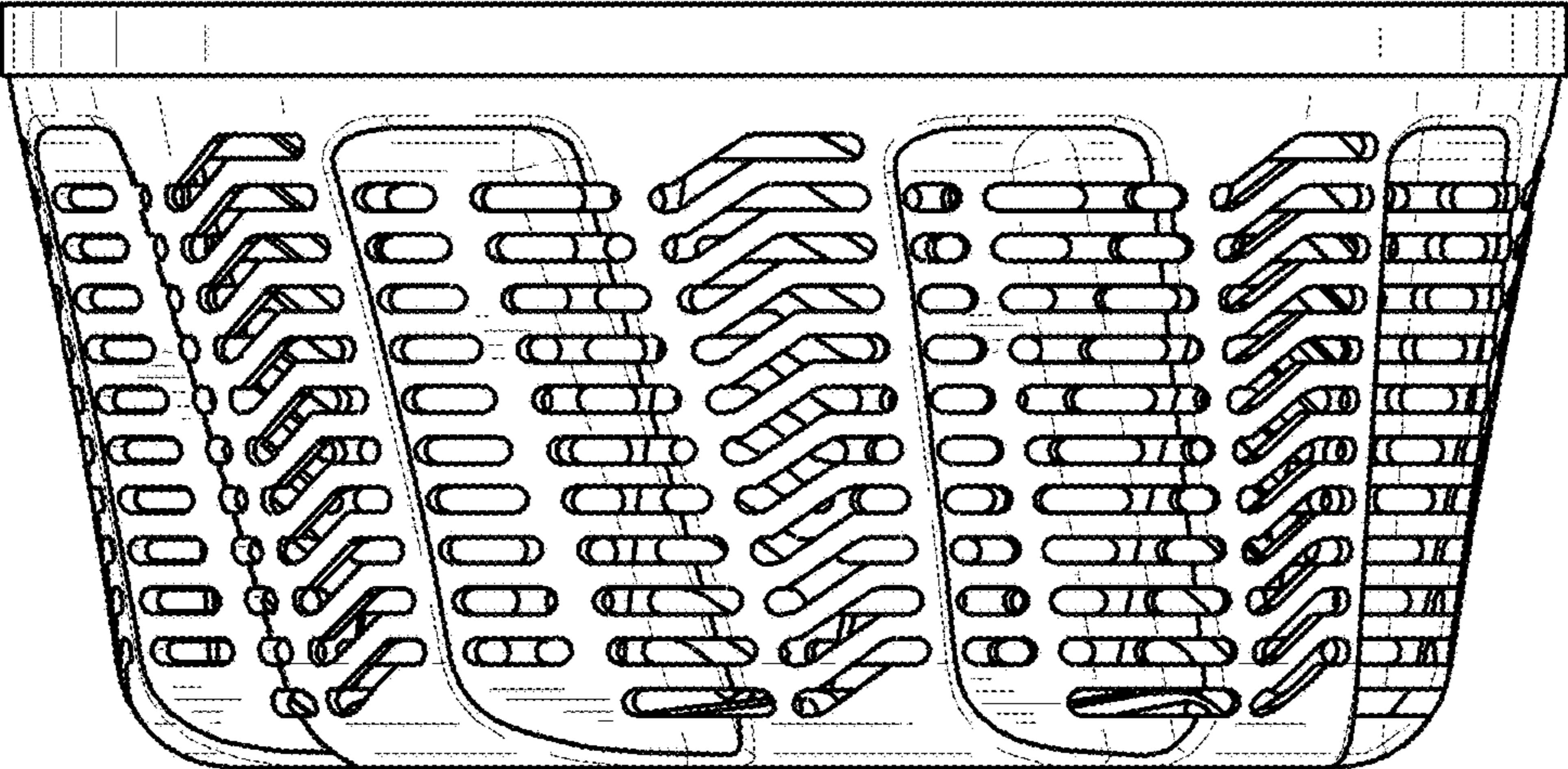


FIG. 3

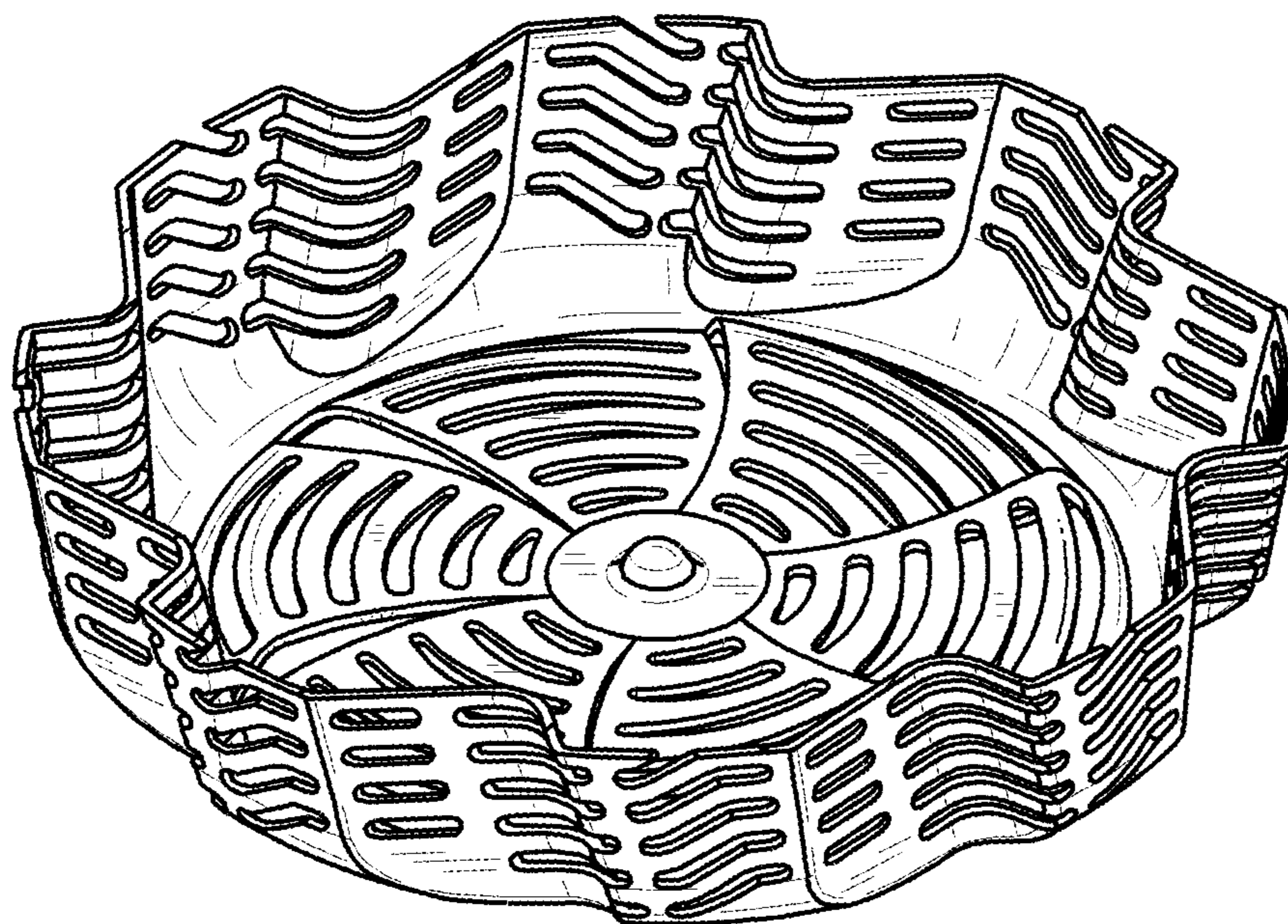


FIG. 4