



US00D774847S

(12) **United States Design Patent** (10) **Patent No.:** **US D774,847 S**
Isopahkala (45) **Date of Patent:** **** Dec. 27, 2016**

- (54) **SPOON**
- (71) Applicant: **Marimekko Oyj**, Helsinki (FI)
- (72) Inventor: **Mari Isopahkala**, Helsinki (FI)
- (73) Assignee: **Marimekko Oyj**, Helsinki (FI)
- (**) Term: **15 Years**
- (21) Appl. No.: **29/543,386**
- (22) Filed: **Oct. 23, 2015**

Related U.S. Application Data

- (62) Division of application No. 29/459,889, filed on Jul. 3, 2013, now Pat. No. Des. 742,182.

Foreign Application Priority Data

- Jan. 22, 2013 (EM) 002170118
- (51) **LOC (10) Cl.** **07-03**
- (52) **U.S. Cl.**
USPC **D7/653; D7/401.2; D7/642; D7/645**
- (58) **Field of Classification Search**
USPC D7/368, 401.2, 642-645, 653-664, 669, D7/675-677, 683, 688-689, 691; D8/107, D8/300-301; D22/117-118
CPC A01D 9/02; A01D 9/04; A01D 9/06; A47G 21/00; A47G 21/004; A47G 21/005; A47G 21/02; A47G 21/023; A47G 21/04; A47G 21/06; A47G 21/08; A47J 43/28; A47J 43/281; A47J 43/282; A61F 13/10; A61J 7/0023; B25G 1/00; B25G 1/01; B25G 1/02; B25G 3/00; B65D 75/56; B65D 75/563; B65D 75/566; B67B 7/00; B67B 7/724; B67B 7/73

See application file for complete search history.

(56) **References Cited**

U.S. PATENT DOCUMENTS

D231,893 S	6/1974	Manderfield	
D440,831 S	4/2001	Welch et al.	
D484,368 S	12/2003	Ito	
D485,734 S *	1/2004	Junko	D7/653
D489,944 S	5/2004	Shane-Schuldt	
D491,770 S	6/2004	Strange	
D549,055 S *	8/2007	Shane-Schuldt	D7/653
D575,116 S	8/2008	Williams	
D578,357 S *	10/2008	Shane-Schuldt	D7/653
D593,377 S	6/2009	Ito	
D612,676 S *	3/2010	Holcomb	D7/401.2
D618,054 S	6/2010	Richmond	
D619,857 S	7/2010	Williams	
D621,653 S	8/2010	Mandel	
D625,555 S *	10/2010	Ito	D7/401.2
D629,659 S *	12/2010	Williams	D7/642
D647,362 S *	10/2011	Shane-Schuldt	D7/401.2
D647,363 S	10/2011	Shane-Schuldt	
D656,781 S *	4/2012	Holcomb	D7/401.2
D656,782 S *	4/2012	Holcomb	D7/401.2
D659,485 S	5/2012	Williams	
D659,486 S	5/2012	Williams	
D705,604 S *	5/2014	Ng	D7/401.2
D741,666 S *	10/2015	Kemker	D7/653

(Continued)

Primary Examiner — Ricky Pham

(74) *Attorney, Agent, or Firm* — Myers Wolin, LLC

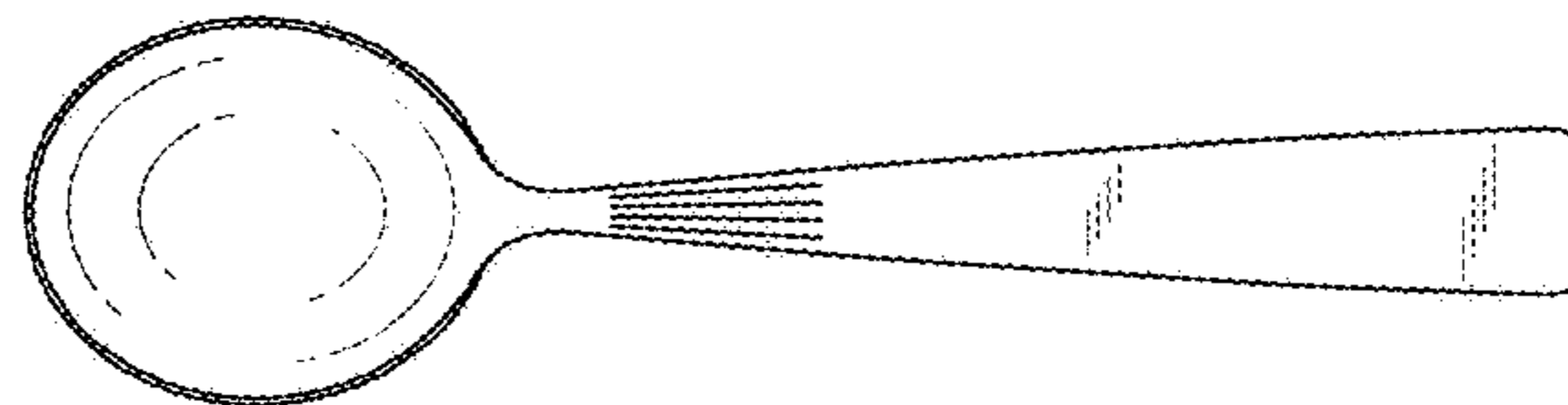
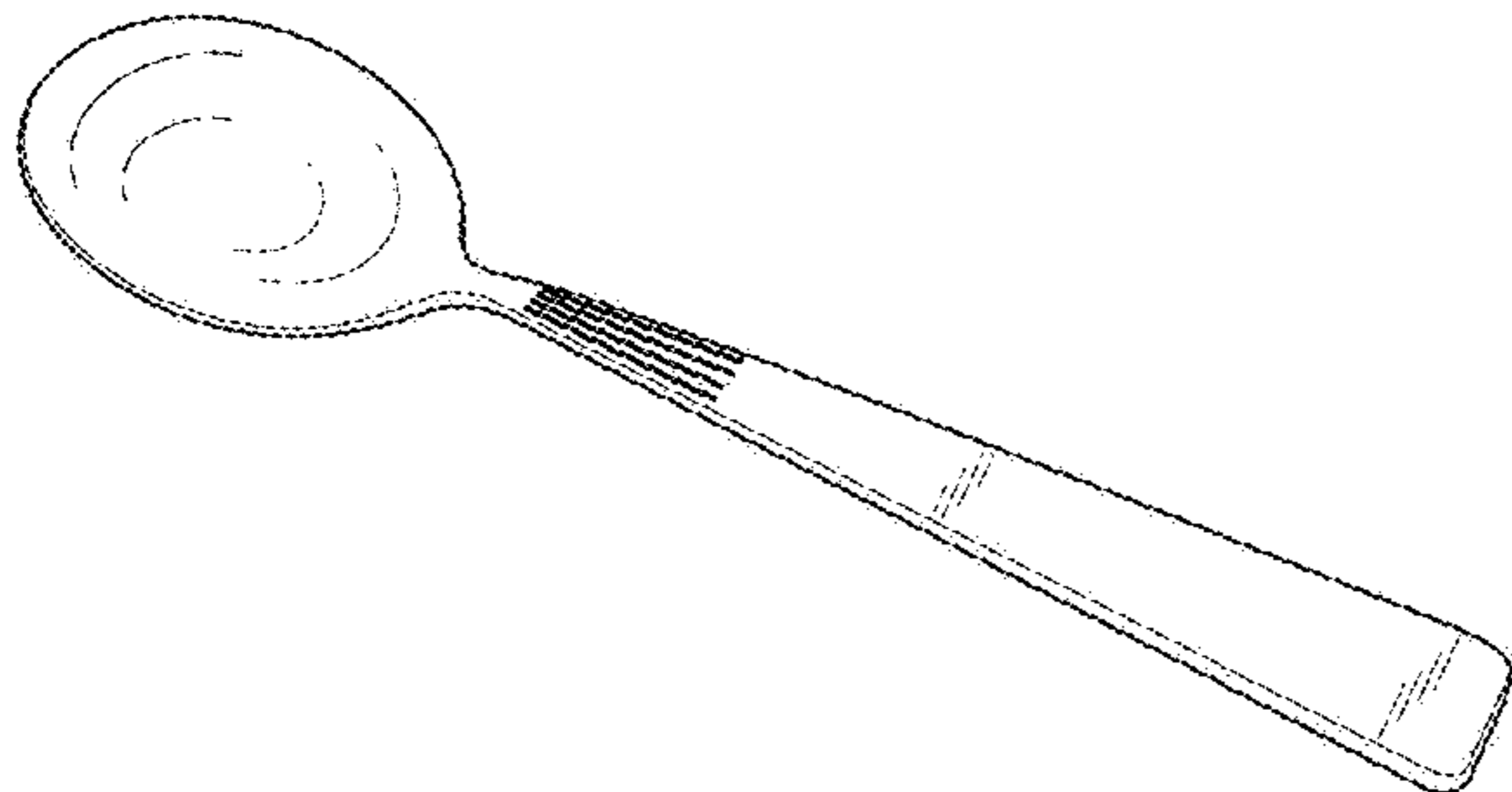
(57) **CLAIM**

The ornamental design for a spoon, as shown and described.

DESCRIPTION

FIG. 1 is a perspective view of a spoon showing my new design;
 FIG. 2 is a top plan view thereof;
 FIG. 3 is a bottom plan view thereof; and,
 FIG. 4 is a left side view thereof, the right view being a mirror image.

1 Claim, 1 Drawing Sheet



(56)

References Cited

U.S. PATENT DOCUMENTS

D742,182 S * 11/2015 Isopahkala D7/642
D753,961 S * 4/2016 Leopold D7/645

* cited by examiner

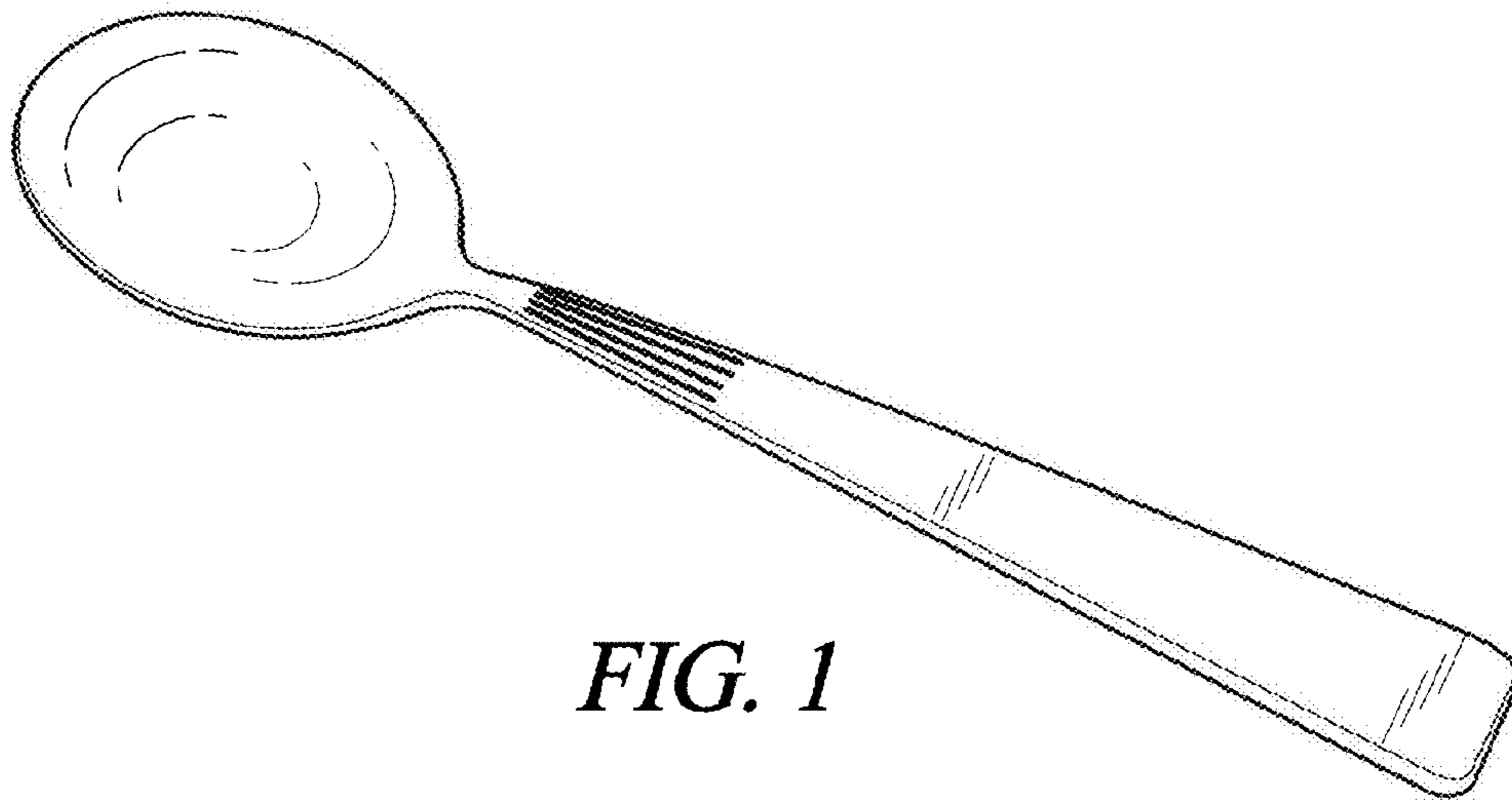


FIG. 1

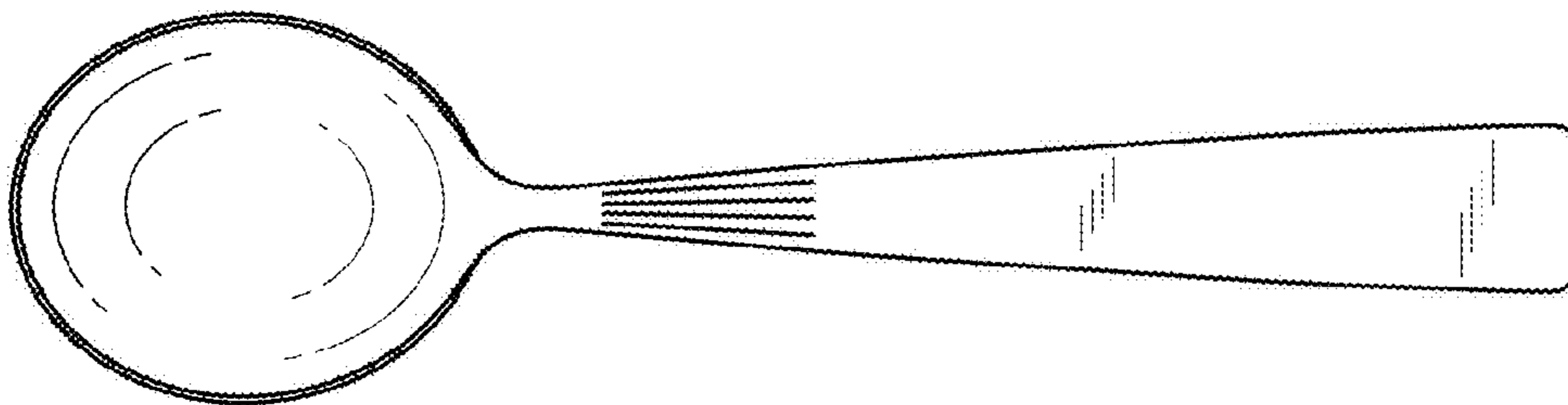


FIG. 2

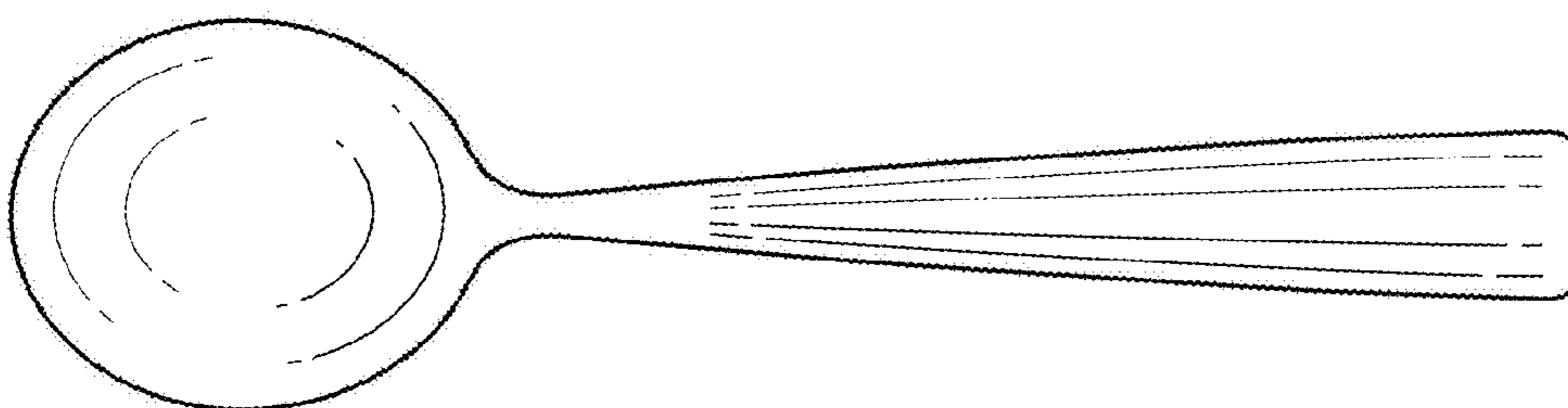


FIG. 3

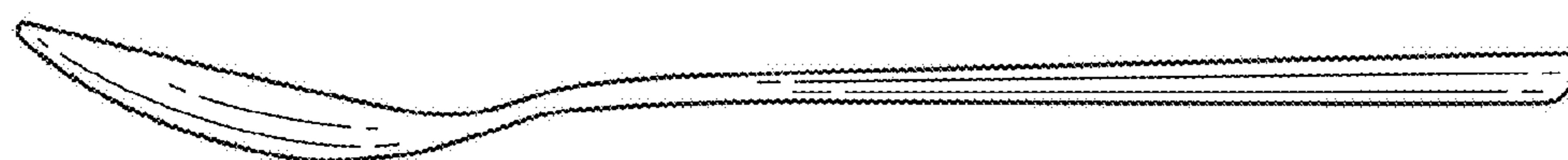


FIG. 4