



US00D774846S

(12) **United States Design Patent** (10) **Patent No.:** **US D774,846 S**
Pantschenko et al. (45) **Date of Patent:** **** Dec. 27, 2016**

(54) **BUTTER KNIFE**

(71) Applicants: **Sacha Pantschenko**, North Sydney (AU); **Craig Andrews**, Kirribilli (AU)

(72) Inventors: **Sacha Pantschenko**, North Sydney (AU); **Craig Andrews**, Kirribilli (AU)

(73) Assignee: **Butter-UP Pty Ltd**, Kirribilli, NSW (AU)

(**) Term: **15 Years**

(21) Appl. No.: **29/536,851**

(22) Filed: **Aug. 19, 2015**

(51) **LOC (10) Cl.** **07-03**

(52) **U.S. Cl.**
USPC **D7/650**; D7/642; D7/649

(58) **Field of Classification Search**
USPC D7/393–395, 401.2, 642–652, 688, 693, D7/695–696; D8/9, 93, 97–100, 107, 300, D8/321; D22/117–118, 149
CPC A01B 1/20; A01B 1/22; A22C 25/006; A22C 25/025; A47G 21/06; A47G 21/065; A61B 17/3211; A61B 17/3213; B21D 53/64; B25G 3/36; B26B 1/00; B26B 1/08; B26B 1/10; B26B 3/00; B26B 3/02; B26B 3/03; B26B 3/04; B26B 3/06; B26B 5/00; B26B 5/001; B26B 5/007; B26B 7/00; B26B 7/005; B26B 9/00; B26B 9/02; B26B 11/00; B26B 11/006; B26B 17/00; B26B 17/006; B26B 29/02

See application file for complete search history.

(56) **References Cited**

U.S. PATENT DOCUMENTS

2,435,351	A *	2/1948	Hay	A22C 25/025
					452/103
D230,695	S *	3/1974	Bartz	D7/650
D237,449	S *	11/1975	Montesi	30/148
D303,603	S *	9/1989	Zimmerman	D7/650
D350,260	S *	9/1994	Weaver	D7/649
D457,220	S *	5/2002	Huckaba	D22/149
D583,632	S *	12/2008	Qualtieri	D7/650
D616,713	S *	6/2010	Jossem	D7/688
D623,907	S *	9/2010	Lenge	D7/649
D760,555	S *	7/2016	Schuler	D7/688

* cited by examiner

Primary Examiner — Ricky Pham

(74) *Attorney, Agent, or Firm* — Jay Schloff; Aidenbaum Schloff and Bloom PLLC

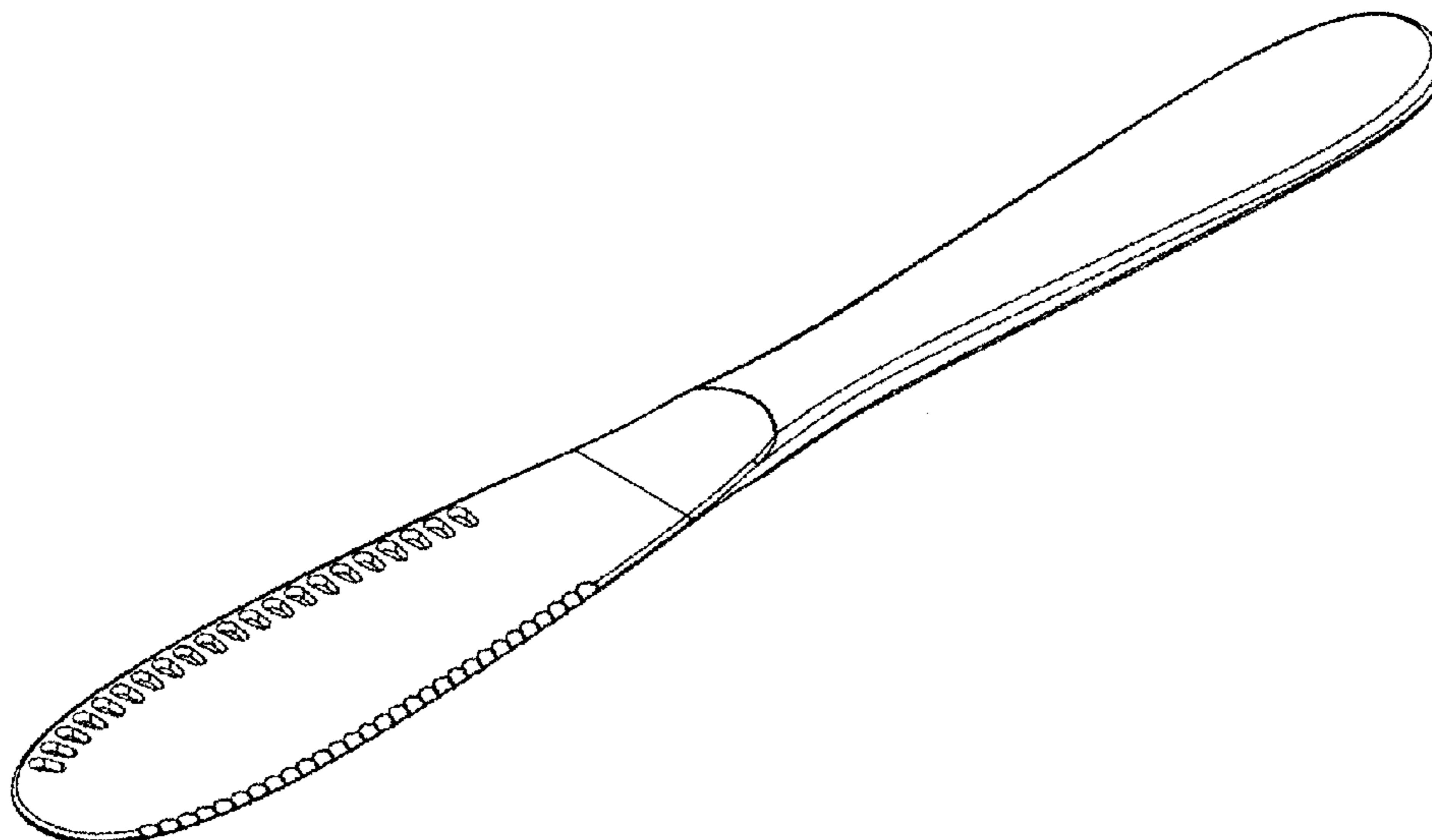
(57) **CLAIM**

The ornamental design for a butter knife, as shown and described.

DESCRIPTION

FIG. 1 shows an overhead three-quarter perspective view of a butter knife;
FIG. 2 shows overhead plan view of a butter knife;
FIG. 3 shows a side view of a butter knife, the opposite side view being a mirror image thereof;
FIG. 4 shows an underside plan view of a butter knife; and,
FIG. 5 shows an underside three-quarter perspective view of a butter knife.

1 Claim, 5 Drawing Sheets



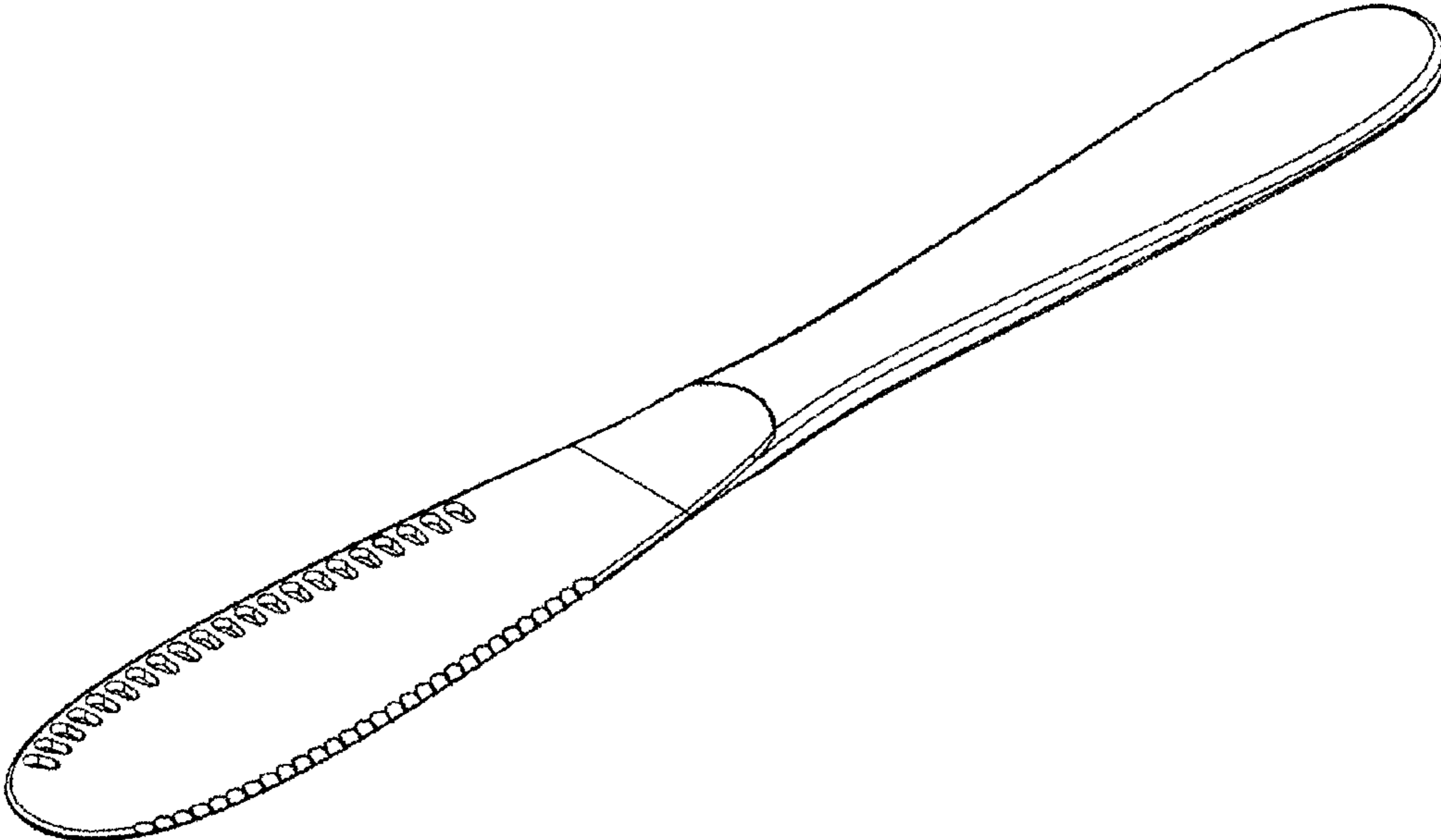


Figure 1

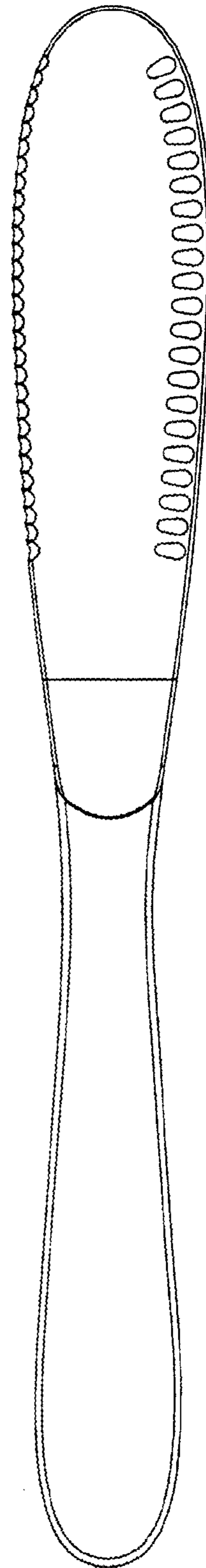


Figure 2

Figure 3



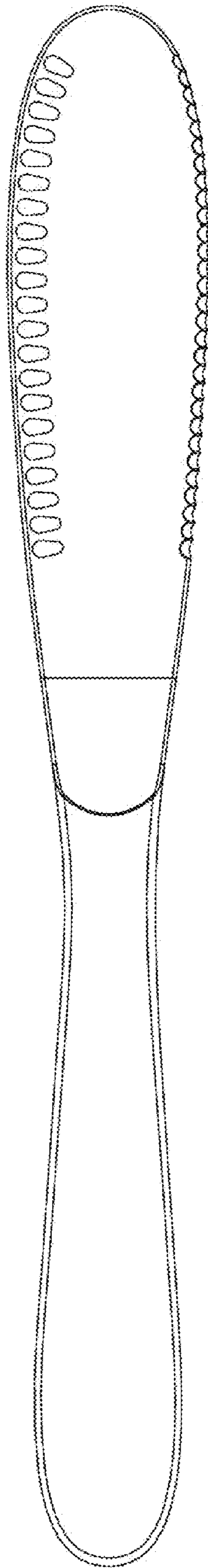


Figure 4

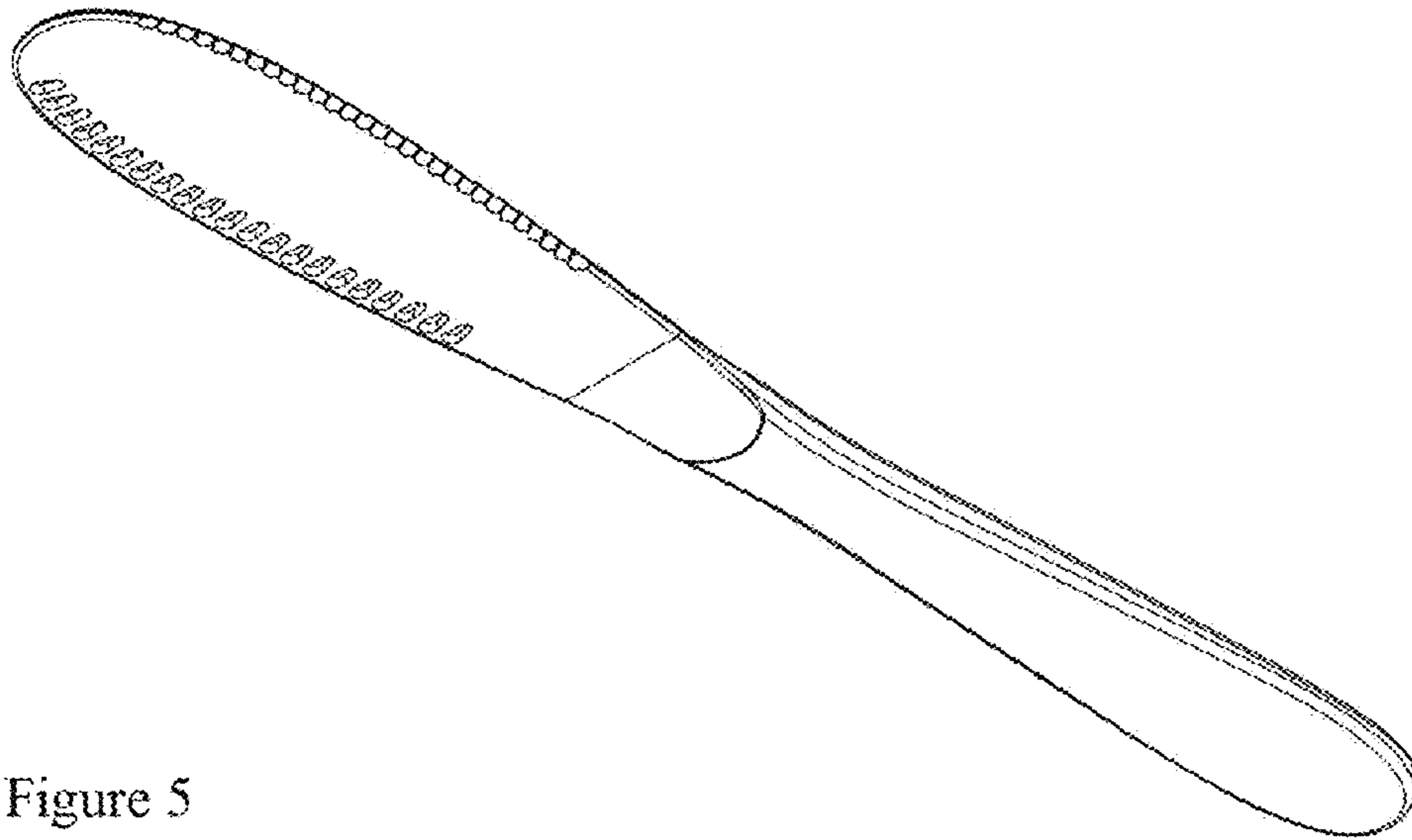


Figure 5