



US00D774844S

(12) **United States Design Patent** (10) **Patent No.:** **US D774,844 S**  
**McConnell et al.** (45) **Date of Patent:** **\*\* Dec. 27, 2016**

(54) **METAL KNIFE BLOCK**

(71) Applicant: **Whirlpool Corporation**, Benton Harbor, MI (US)  
 (72) Inventors: **John W. McConnell**, St. Joseph, MI (US); **Leif A. Norland**, St. Joseph, MI (US); **Wenkai Wu**, Aurora, IL (US)  
 (73) Assignee: **Whirlpool Corporation**, Benton Harbor, MI (US)

(\*\*) Term: **14 Years**

(21) Appl. No.: **29/506,947**

(22) Filed: **Oct. 22, 2014**

(51) **LOC (10) Cl.** ..... **07-99**

(52) **U.S. Cl.**  
USPC ..... **D7/637**

(58) **Field of Classification Search**  
 USPC ..... D7/601–603, 612, 615, 629, 630, 631, D7/637–641; D9/549, 551, 772, 779, 780; D19/65, 75, 81–85; 30/298.4; 76/82, 84, 76/86; 211/13.1, 60.1, 70, 70.6, 70.7; 248/37.3, 37.6  
 CPC ..... A47G 21/00; A47G 21/14; A47F 5/16; A47F 7/00; A47F 7/0028; A47F 7/283; B26B 3/00; B26B 27/00; B24D 15/081; B24D 15/084  
 See application file for complete search history.

(56) **References Cited**

**U.S. PATENT DOCUMENTS**

D271,171 S *	11/1983	Kinkade	.....	D7/637
4,509,651 A *	4/1985	Prindle	.....	A47G 21/14 211/70.6
D422,850 S *	4/2000	Ancona	.....	D7/637
D434,615 S *	12/2000	Chien	.....	D7/637
D440,124 S *	4/2001	Weng	.....	D7/637
D478,787 S *	8/2003	Logiudice	.....	D7/637
6,854,186 B2 *	2/2005	Basden	.....	A47G 21/14 248/37.3
2004/0148787 A1 *	8/2004	Rosenberg	.....	A47G 21/14 30/298.4

**OTHER PUBLICATIONS**

Emeril Lagasse Cutlery Block Set, announced Sep. 2012, [online], site visited Mar. 31, 2016. Available from Internet, <URL: <http://www.tasteasyougo.com>>.\*  
 Wiltshire Trinity Knife Block, announced Dec. 2012, [online], site visited Mar. 31, 2016. Available from Internet, <URL: <http://www.jansberndes-nonstick-milestons.blogspot.com>>.\*

\* cited by examiner

*Primary Examiner* — Derrick Holland  
*Assistant Examiner* — Janice Lim

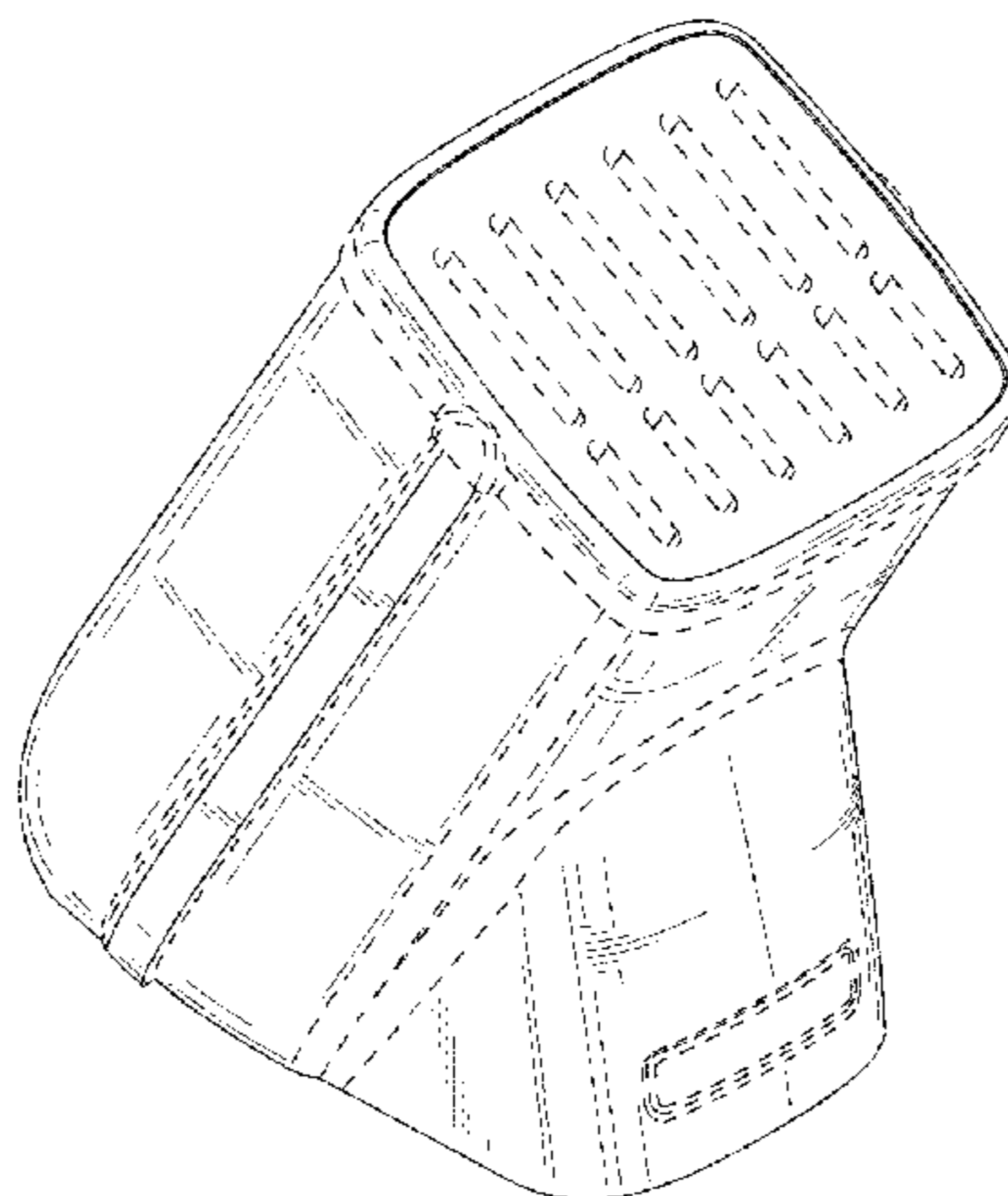
(57) **CLAIM**

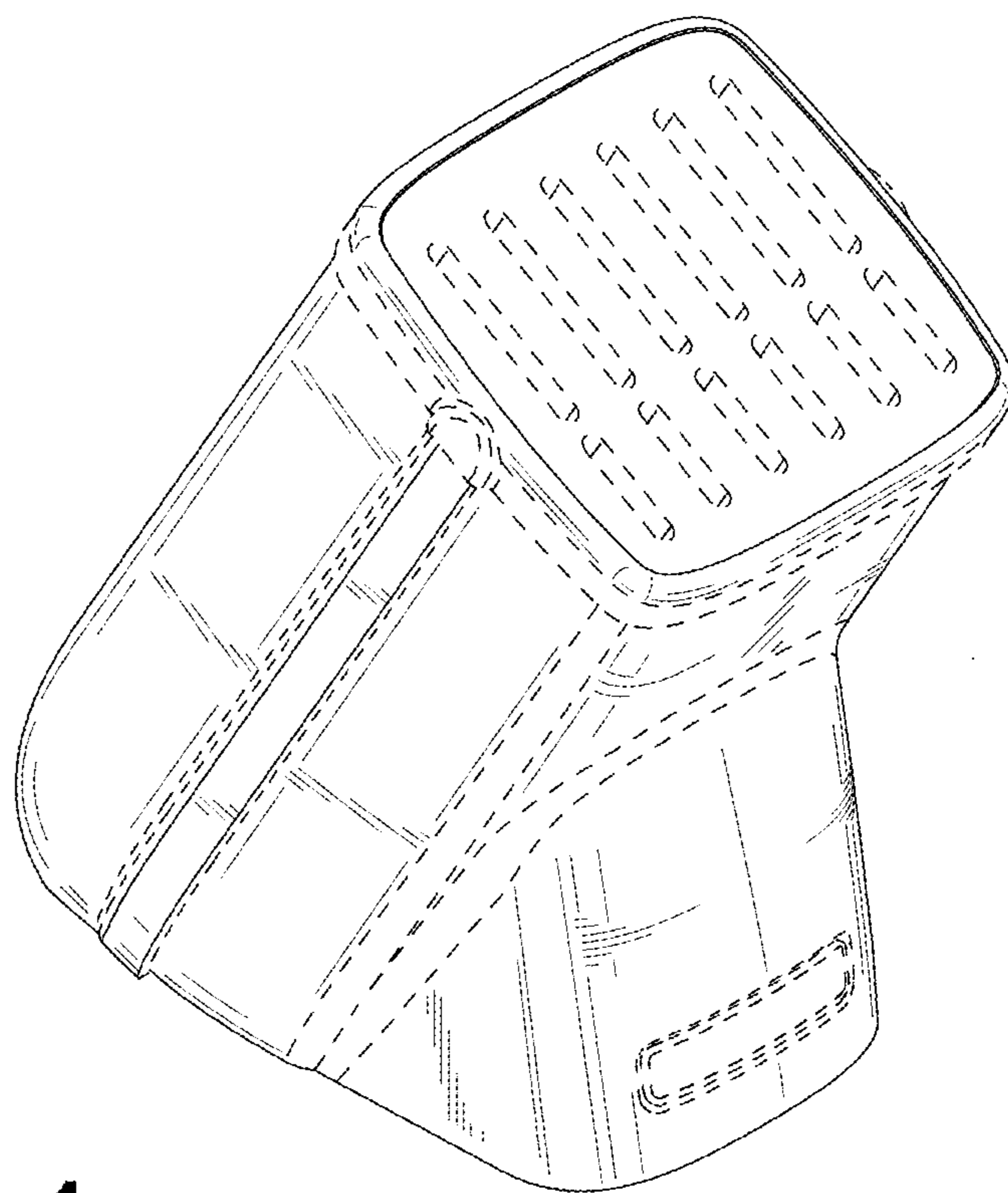
The ornamental design for a metal knife block, as shown and described.

**DESCRIPTION**

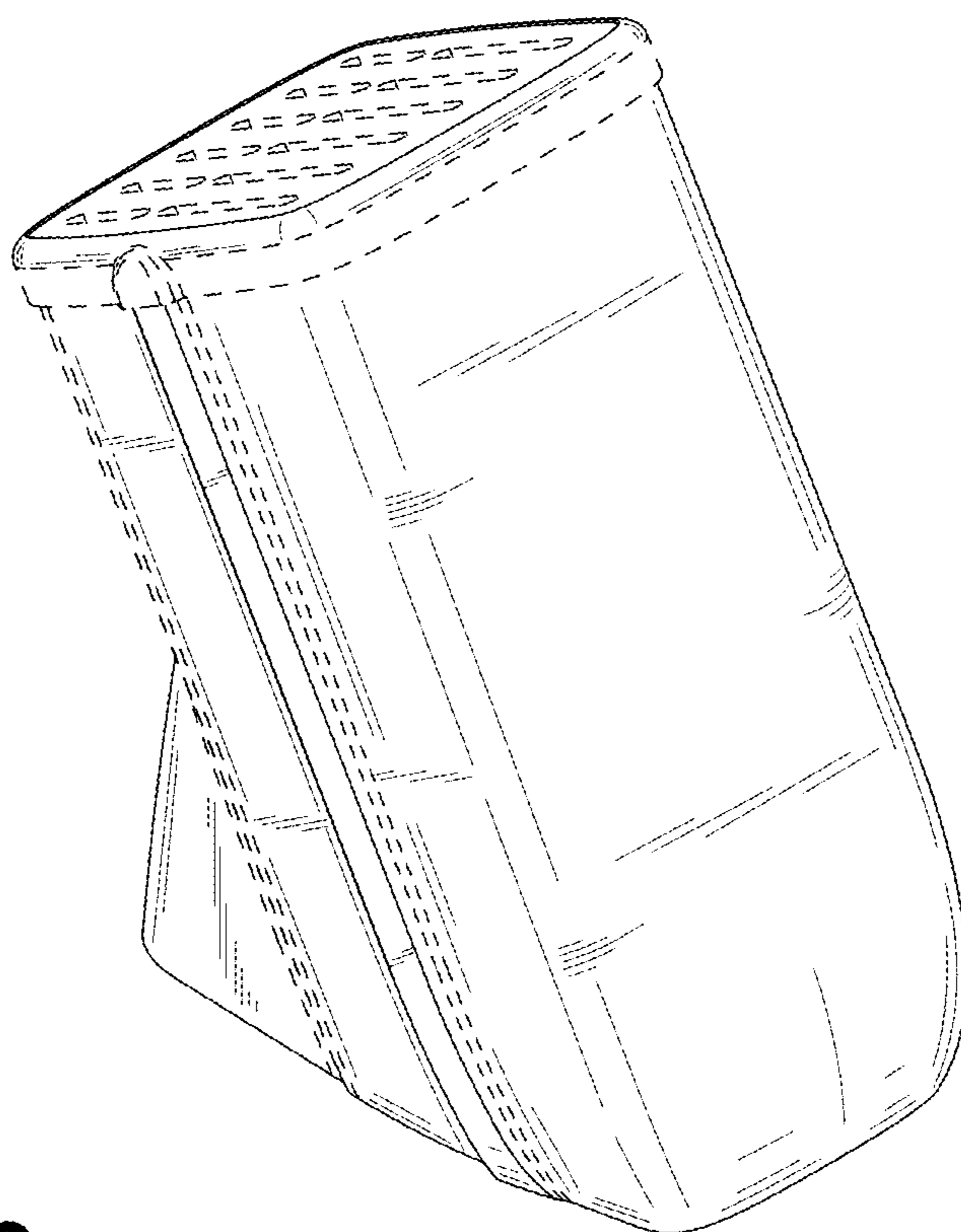
FIG. 1 is a front perspective view of a metal knife block, showing our new design;  
 FIG. 2 is a rear perspective view of the metal knife block of FIG. 1;  
 FIG. 3 is a front elevational view of the metal knife block of FIG. 1;  
 FIG. 4 is a rear elevational view of the metal knife block of FIG. 1;  
 FIG. 5 is a first side elevational view of the metal knife block of FIG. 1;  
 FIG. 6 is a second side elevational view of the metal knife block of FIG. 1;  
 FIG. 7 is a top plan view of the metal knife block of FIG. 1; and,  
 FIG. 8 is a bottom plan view of the metal knife block of FIG. 1.  
 The broken line portions are included to show unclaimed subject matter only and form no part of the claimed design.

**1 Claim, 4 Drawing Sheets**

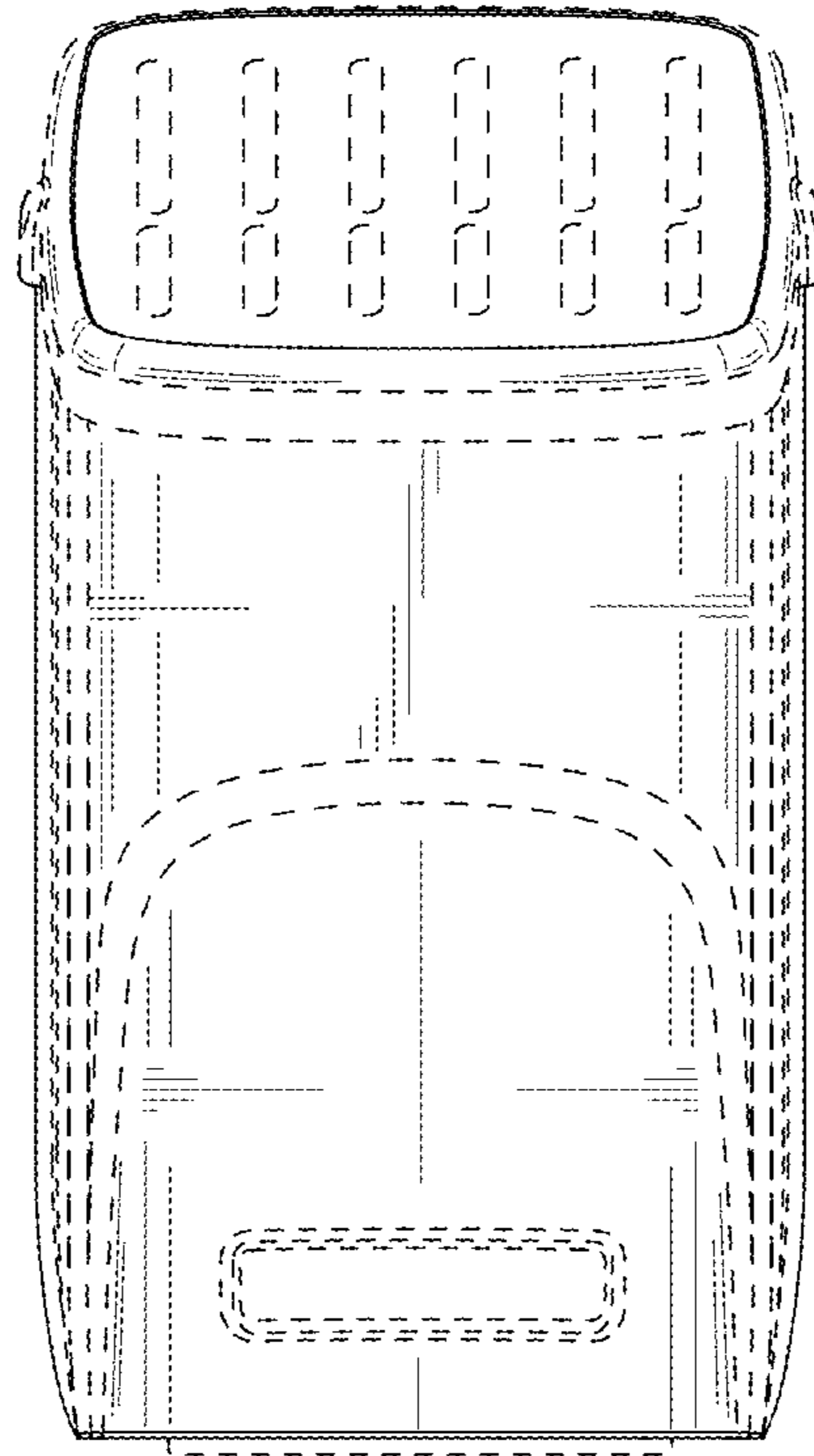




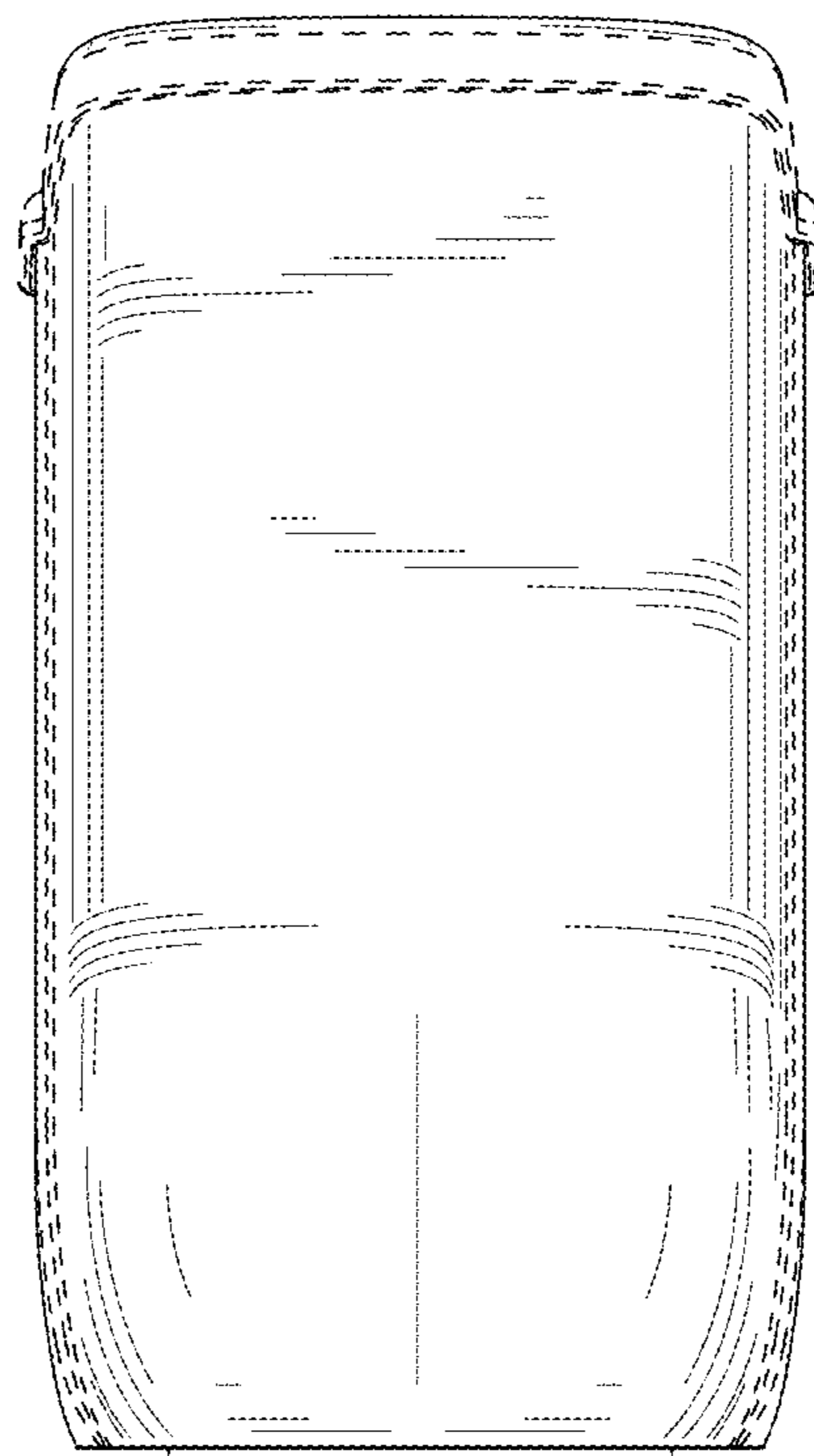
**FIG. 1**



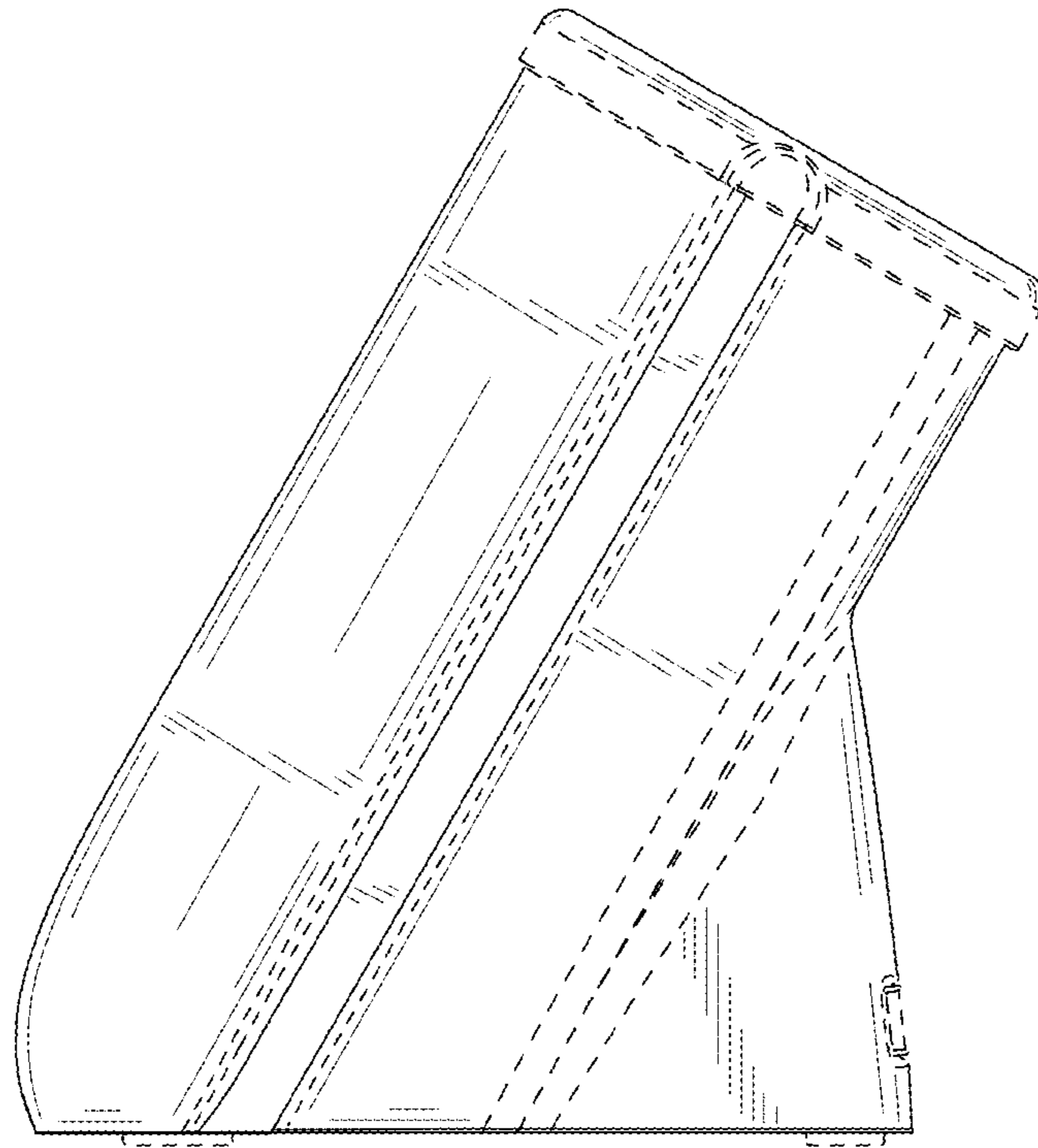
**FIG. 2**



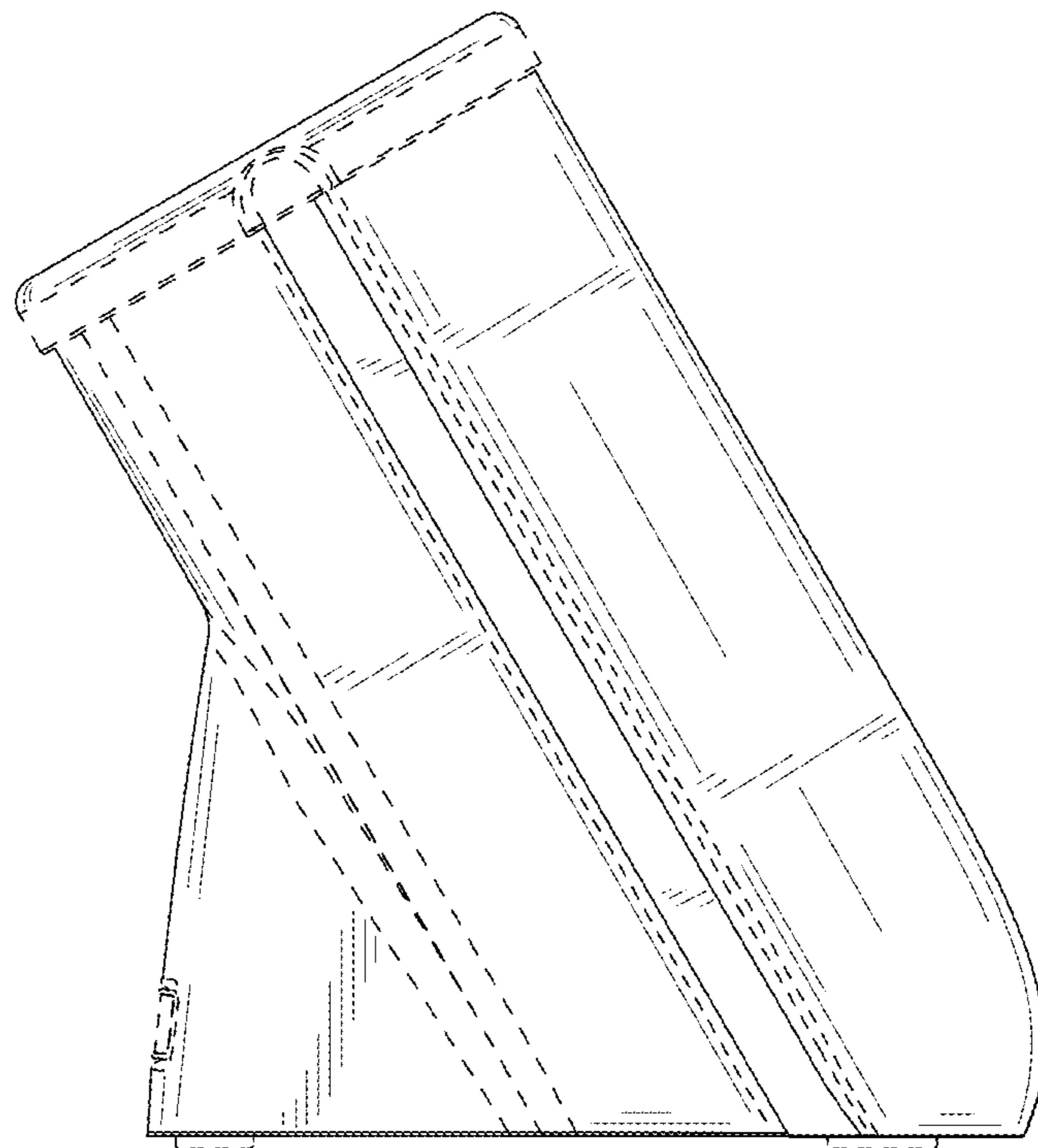
**FIG. 3**



**FIG. 4**

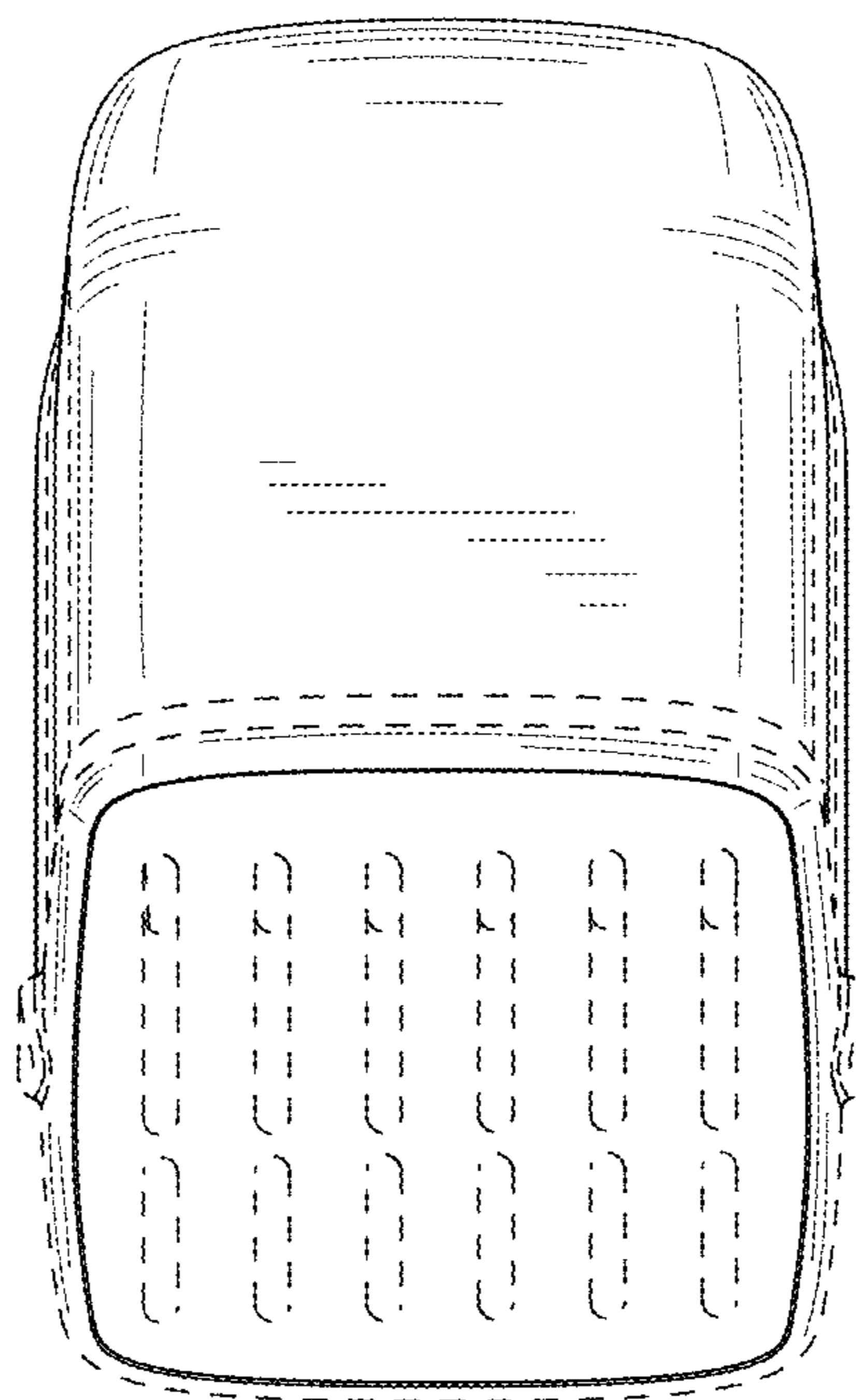


**FIG. 5**

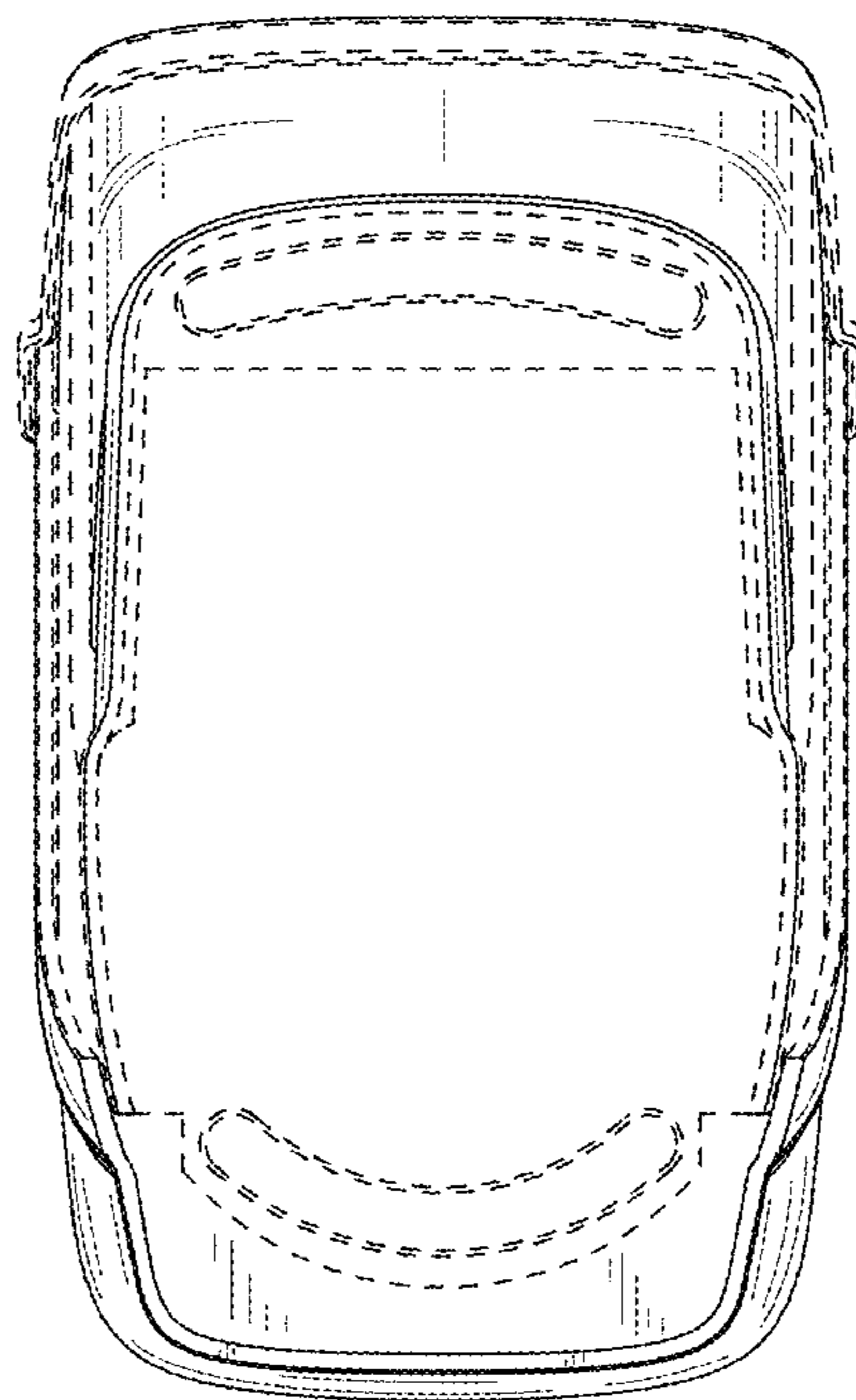


**FIG. 6**





**FIG. 7**



**FIG. 8**