



US00D774841S

(12) **United States Design Patent**  
**Carter**

(10) **Patent No.:** **US D774,841 S**

(45) **Date of Patent:** **\*\* Dec. 27, 2016**

(54) **DRINK HOLDER**

(71) Applicant: **Kevin Carter**, Toronto (CA)

(72) Inventor: **Kevin Carter**, Toronto (CA)

(\*\*) Term: **15 Years**

(21) Appl. No.: **29/527,889**

(22) Filed: **May 22, 2015**

(51) **LOC (10) Cl.** ..... **07-06**

(52) **U.S. Cl.**  
USPC ..... **D7/625**

(58) **Field of Classification Search**

USPC ..... D7/603-608, 619.1-625; D21/754, 787;  
D29/113, 116.1, 117.1, 123  
CPC ..... F25D 3/08; B65D 25/30; B65D 7/24;  
B65D 81/3876; B65D 81/3879; B65D  
23/104; B65D 81/38; B65D  
81/3886; B65D 81/3883; B65D 81/3881;  
A45C 11/20; A47G 23/0216; A47G  
19/2288; A45F 2200/0583; A61F 7/10;  
B31D 5/0086; A63B 71/145  
See application file for complete search history.

(56) **References Cited**

**U.S. PATENT DOCUMENTS**

4,295,228 A \* 10/1981 Dragomir ..... A63B 71/145  
2/18  
D277,238 S \* 1/1985 Cass ..... D29/116.1

D329,175 S \* 9/1992 Harber ..... D7/620  
D350,417 S \* 9/1994 Bruckner ..... D29/116.1  
D506,105 S \* 6/2005 Cox ..... D7/619.2  
D543,789 S \* 6/2007 Gilley ..... D7/606  
D602,745 S \* 10/2009 Carter ..... D7/606  
D684,826 S \* 6/2013 Carter ..... D7/625

\* cited by examiner

*Primary Examiner* — Freda S Nunn

(74) *Attorney, Agent, or Firm* — Lorelei G. Graham

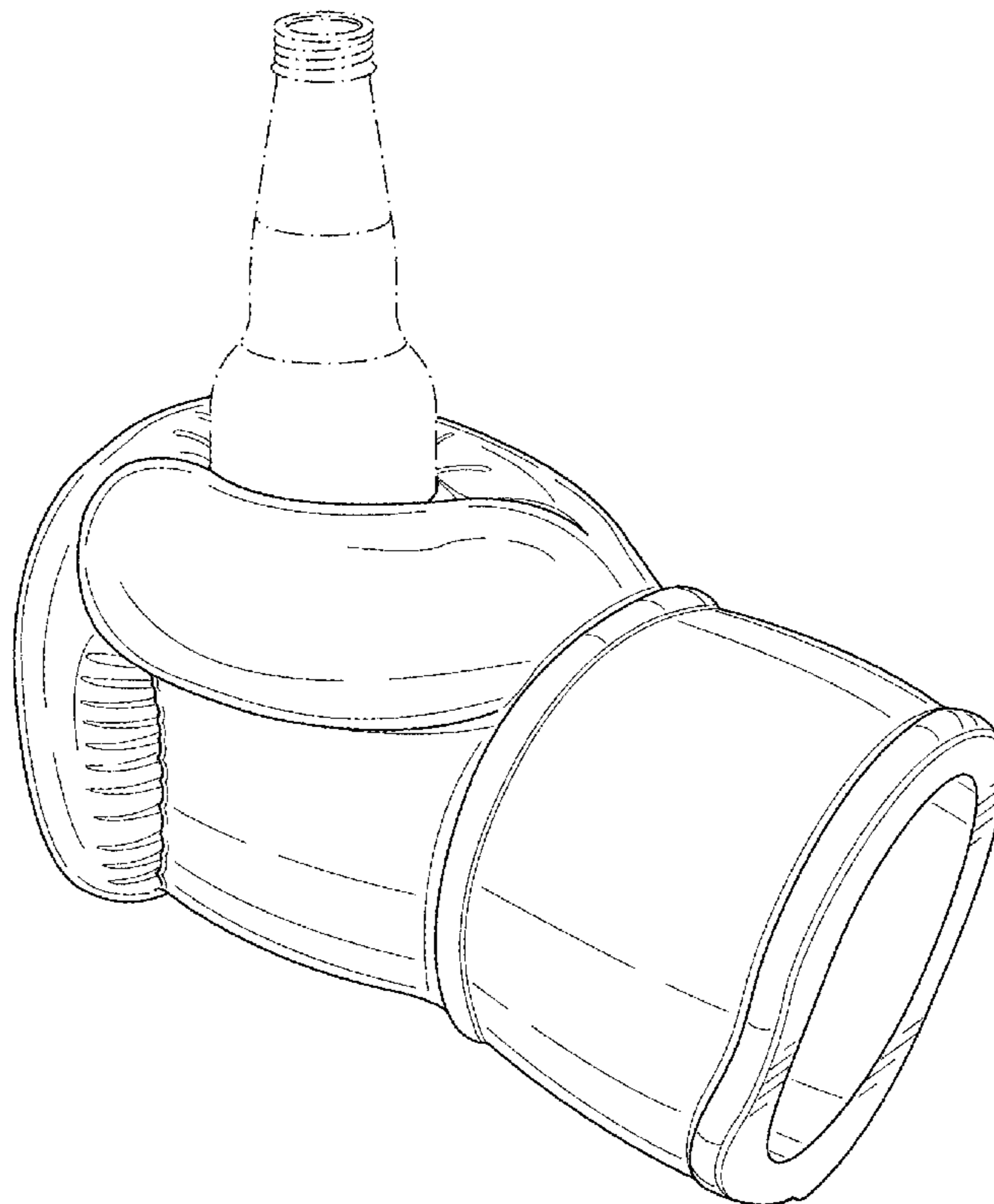
(57) **CLAIM**

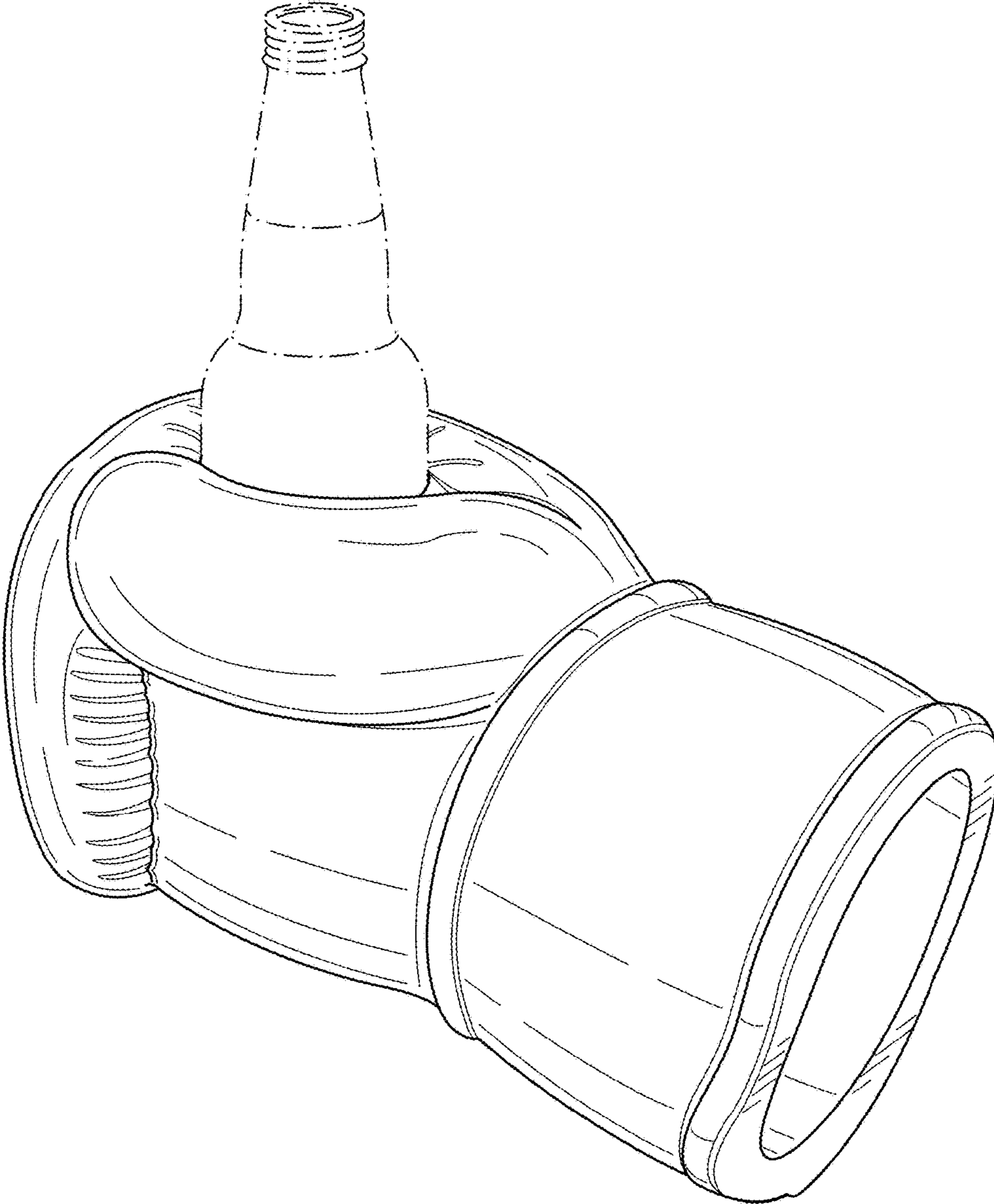
The ornamental design for the drink holder, as shown and described.

**DESCRIPTION**

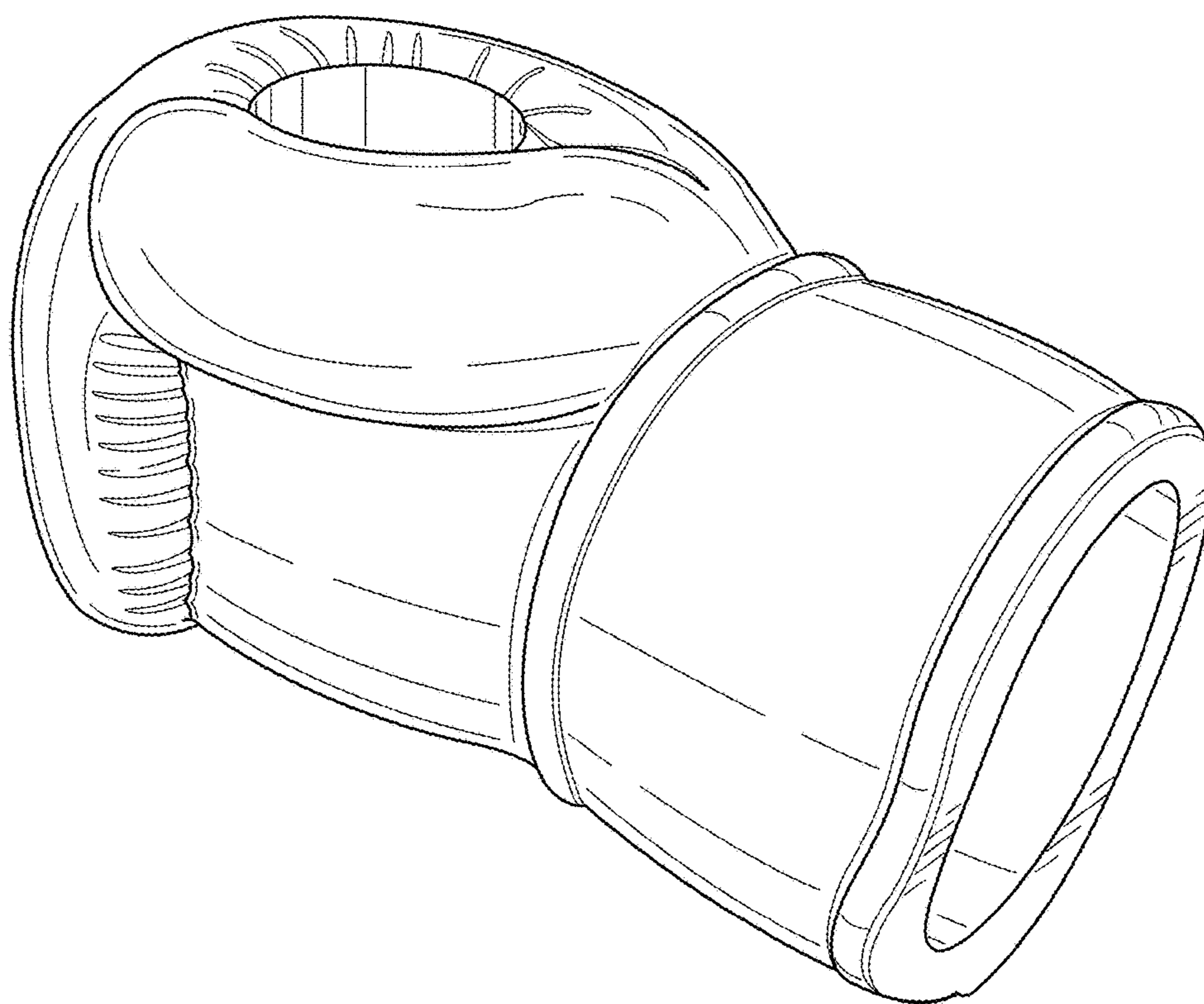
FIG. 1 is a perspective view of the drink holder.  
FIG. 2 is another perspective view of the drink holder.  
FIG. 3 is a front view of the drink holder.  
FIG. 4 is a right side view of the drink holder.  
FIG. 5 is a back view of the drink holder.  
FIG. 6 is a left side view of the drink holder.  
FIG. 7 is a top plan view of the drink holder; and,  
FIG. 8 is a bottom plan view of the drink holder.  
The broken lines shown in the drawings represent environment only and form no part of the claimed design.

**1 Claim, 8 Drawing Sheets**

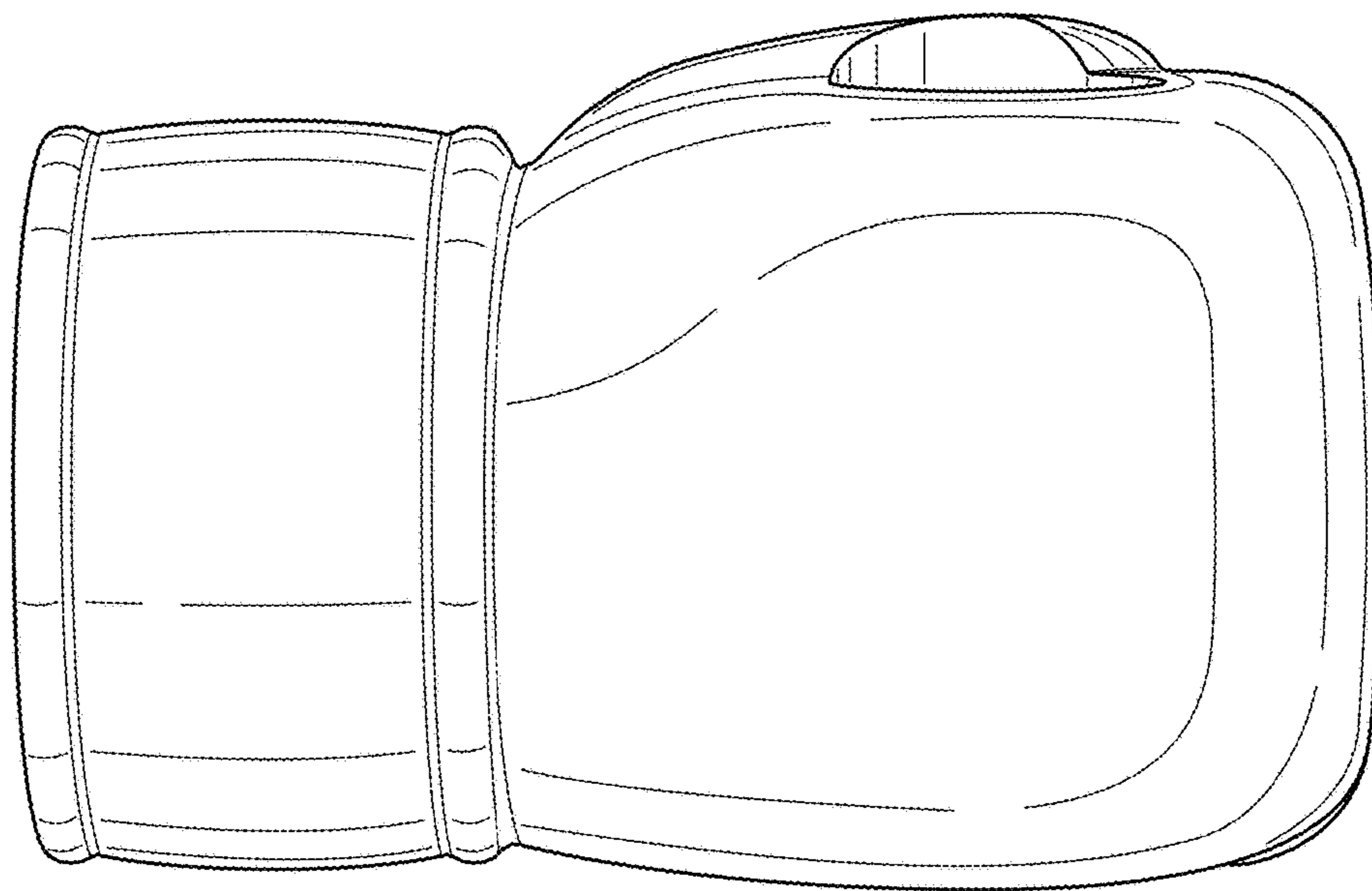




**FIG. 1**



**FIG. 2**



**FIG. 3**

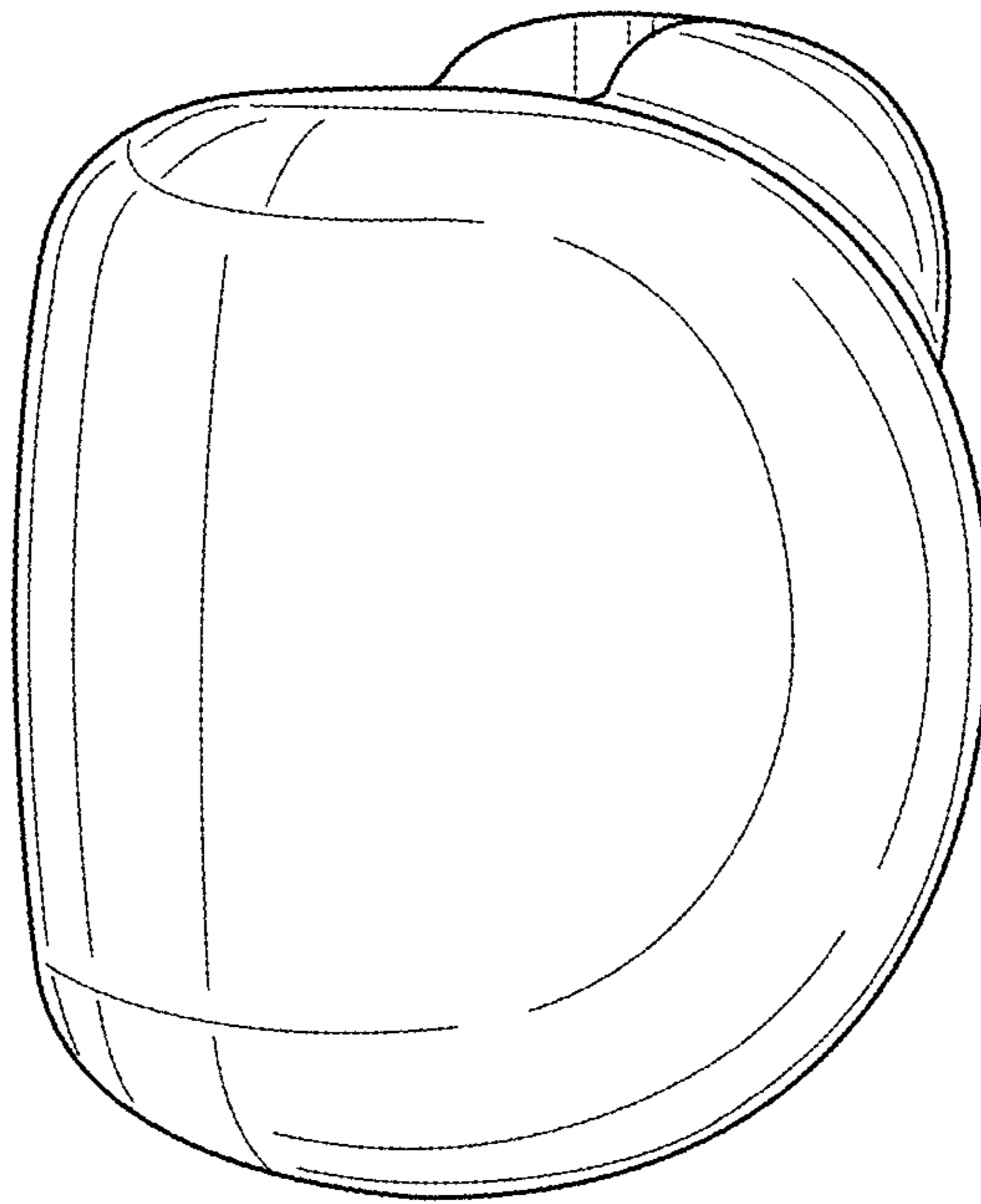
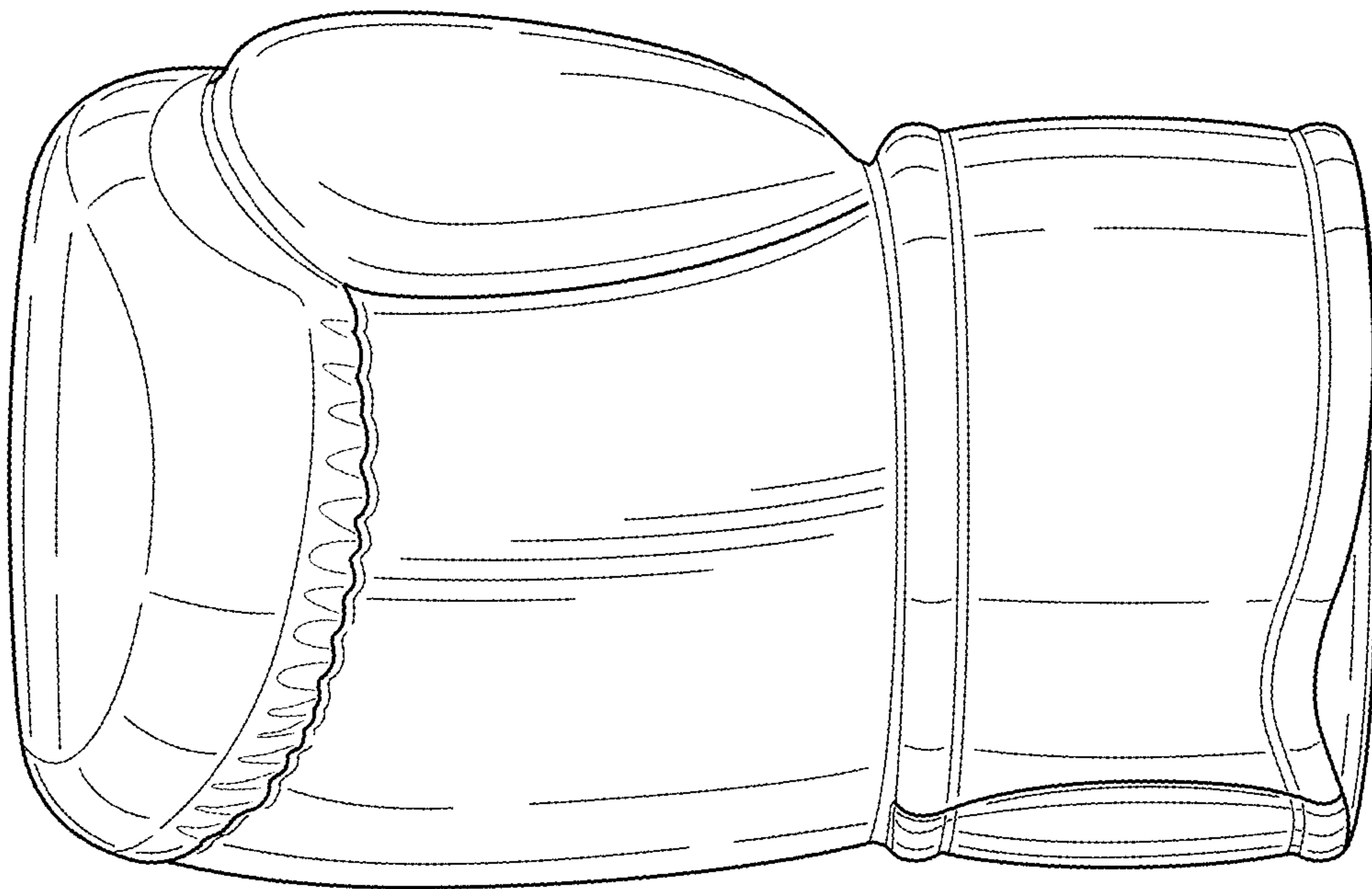
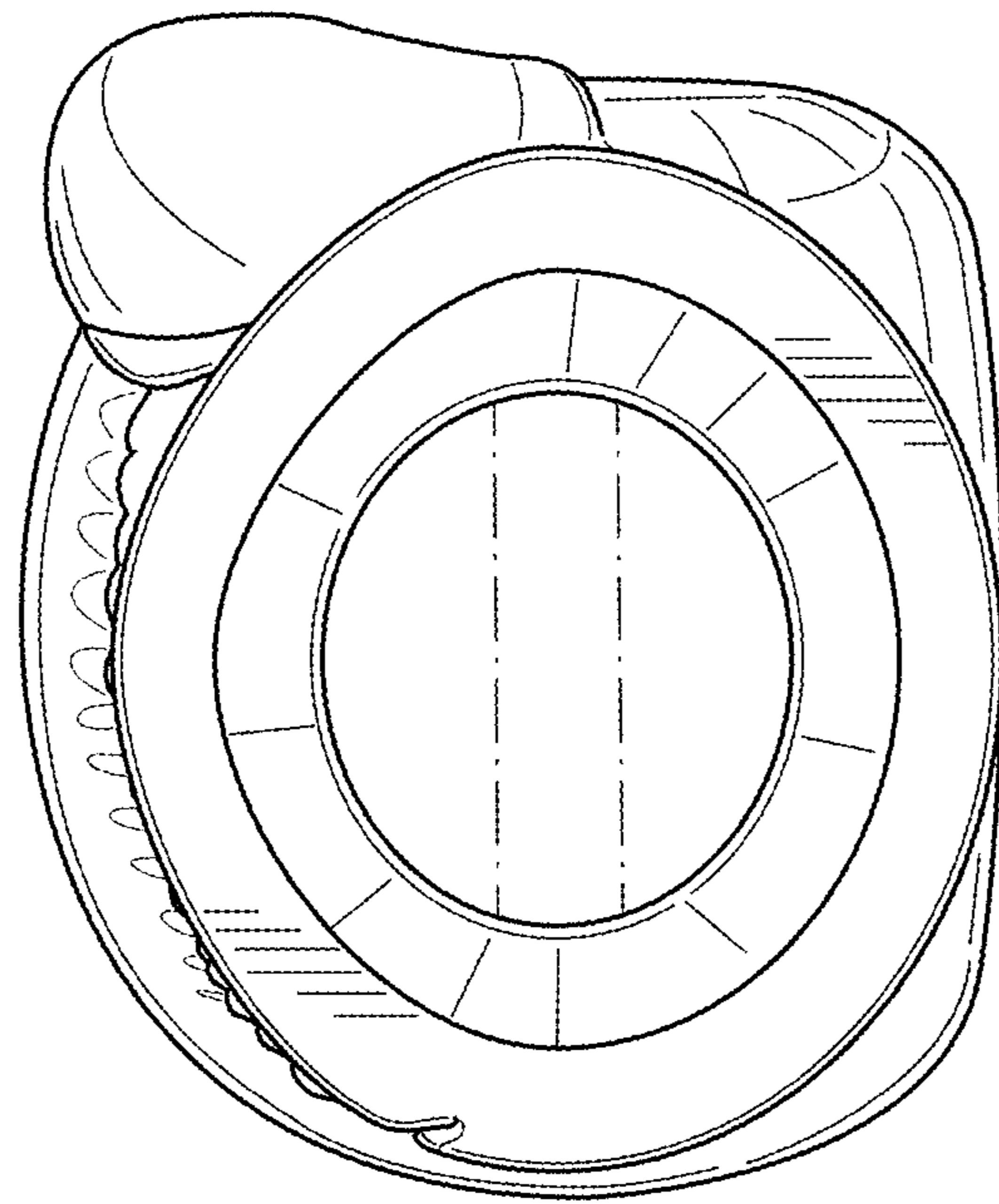


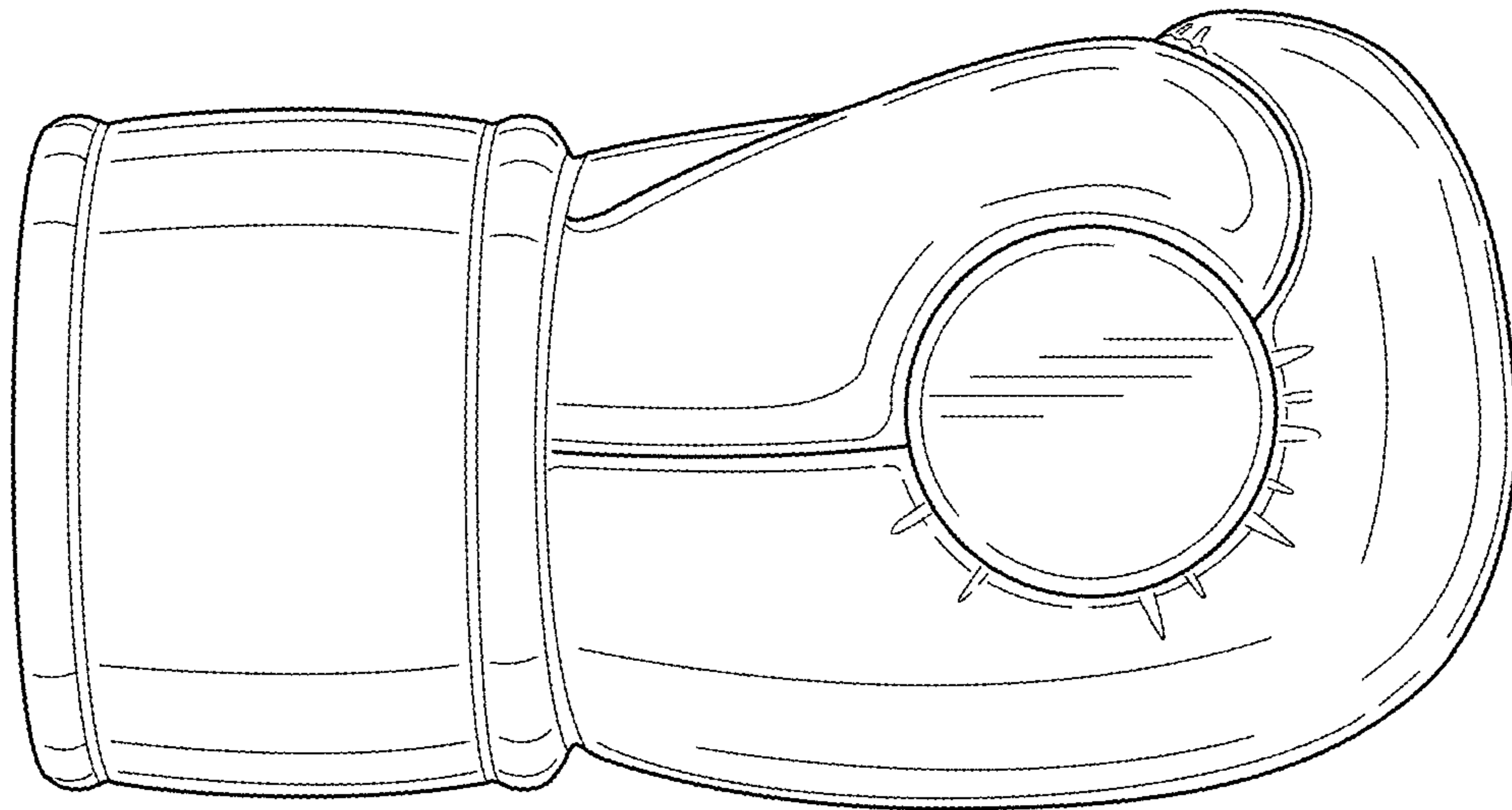
FIG. 4



**FIG. 5**

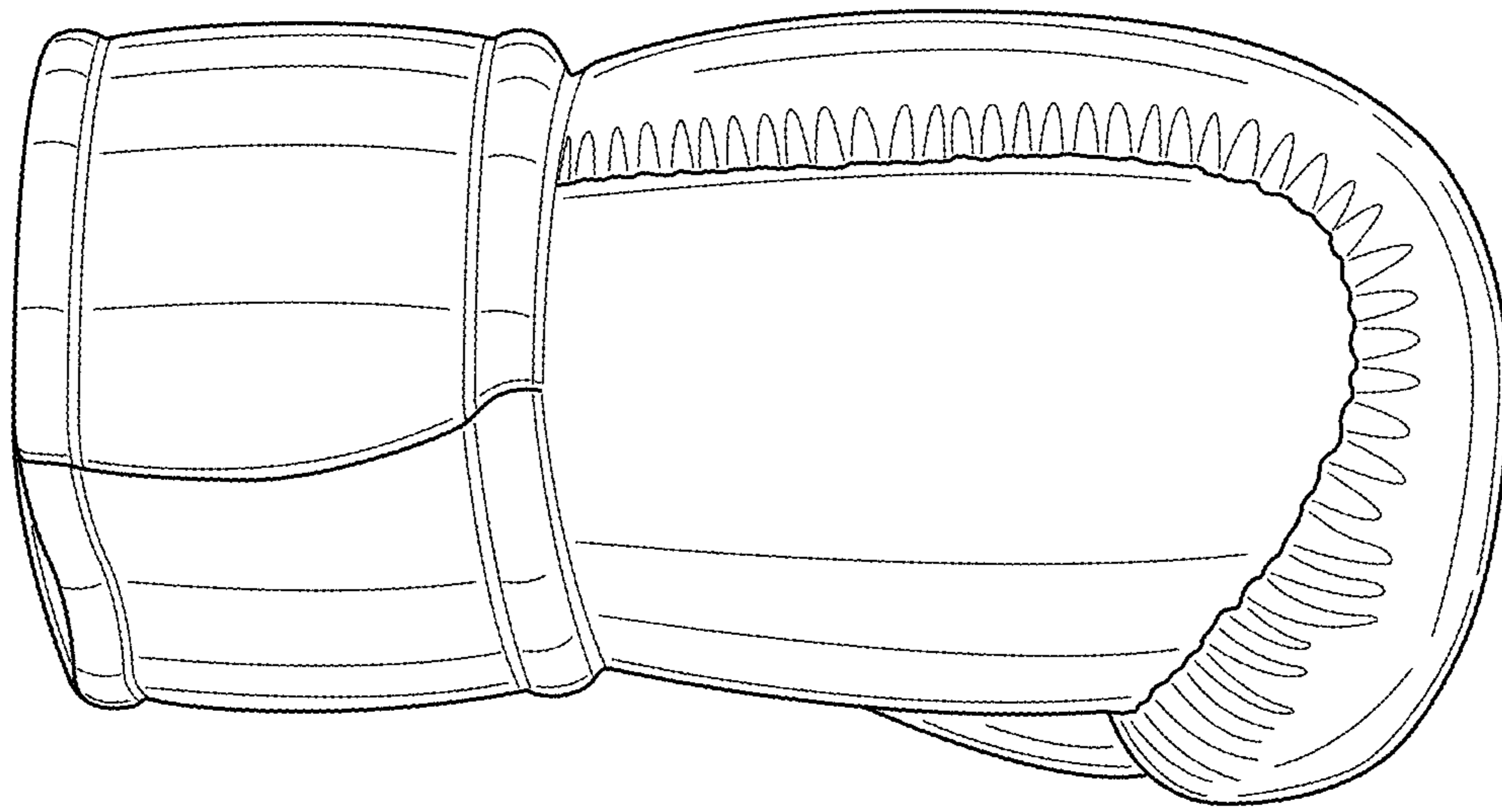


**FIG. 6**



**FIG. 7**





**FIG. 8**