



US00D774832S

(12) **United States Design Patent** (10) **Patent No.:** **US D774,832 S**
Kortbeek (45) **Date of Patent:** **** Dec. 27, 2016**

- (54) **PLATE**
- (71) Applicant: **Track Design & Media**, Gouda (NL)
- (72) Inventor: **Menno Kortbeek**, Gouda (NL)
- (73) Assignee: **Track Design & Media**, El Gouda (NL)
- (**) Term: **15 Years**
- (21) Appl. No.: **29/531,717**
- (22) Filed: **Jun. 29, 2015**
- (51) **LOC (10) Cl.** **07-01**
- (52) **U.S. Cl.**
USPC **D7/557**
- (58) **Field of Classification Search**
USPC D7/553.6, 541, 538, 500, 557, 555; D9/761
CPC A47G 19/2205; A47G 19/30
See application file for complete search history.

- 2008/0251405 A1 10/2008 Goldenberg et al.
- 2009/0102123 A1 4/2009 Haas
- 2012/0183933 A1 7/2012 Smiler
- 2015/0028542 A1 1/2015 Qualey

FOREIGN PATENT DOCUMENTS

- GB 13288 9/1909
- NL 1037937 11/2011
- WO WO 2011/027327 A2 3/2011

OTHER PUBLICATIONS

Search Report and Written Opinion for NL1037937, The Netherlands Patent Office, dated Nov. 23, 2010.

* cited by examiner

Primary Examiner — Cynthia Underwood
(74) *Attorney, Agent, or Firm* — Sterne, Kessler, Goldstein & Fox P.L.L.C.

(56) **References Cited**

U.S. PATENT DOCUMENTS

- 1,595,356 A 8/1926 Moseman
- 2,700,284 A 1/1955 Lyon, Jr.
- D192,374 S * 3/1962 Wittke D7/555
- 3,214,848 A 11/1965 Van Eycke
- D260,604 S * 9/1981 Otto D7/541
- D281,849 S * 12/1985 Cantor D7/555
- 5,695,798 A * 12/1997 Rozzano B65D 21/0233
206/518
- D417,785 S * 12/1999 Daniels D3/313
- 6,352,258 B1 3/2002 Fitzgerald et al.
- D591,174 S * 4/2009 Larson D9/425
- D595,155 S * 6/2009 Larson D9/425
- D642,484 S * 8/2011 Birchmeier D9/425
- D665,228 S * 8/2012 Rosen D7/562
- D720,629 S * 1/2015 Snedden D9/425
- 9,119,506 B2 * 9/2015 Shendelman A47J 43/00

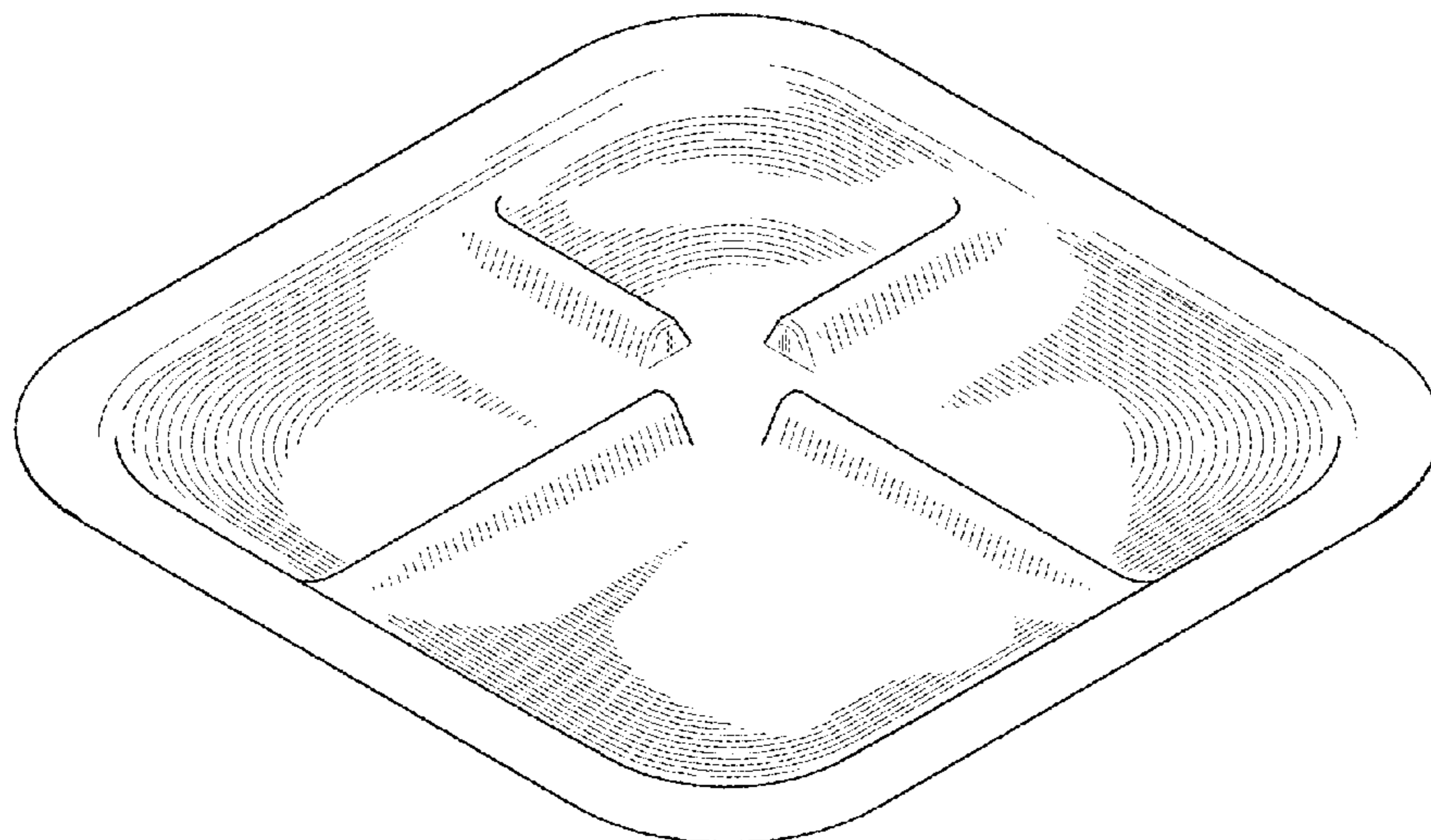
(57) **CLAIM**

The ornamental design for a plate, as shown and described.

DESCRIPTION

FIG. 1 is a top perspective view of a plate showing my new design;
FIG. 2 is a bottom perspective view thereof;
FIG. 3 is a front view thereof, the left side view being identical thereto, and the rear and right side views being mirror images thereof;
FIG. 4 is a top view thereof; and,
FIG. 5 is a bottom view thereof.
The shade lines in the Figures show contour and not surface ornamentation.

1 Claim, 3 Drawing Sheets



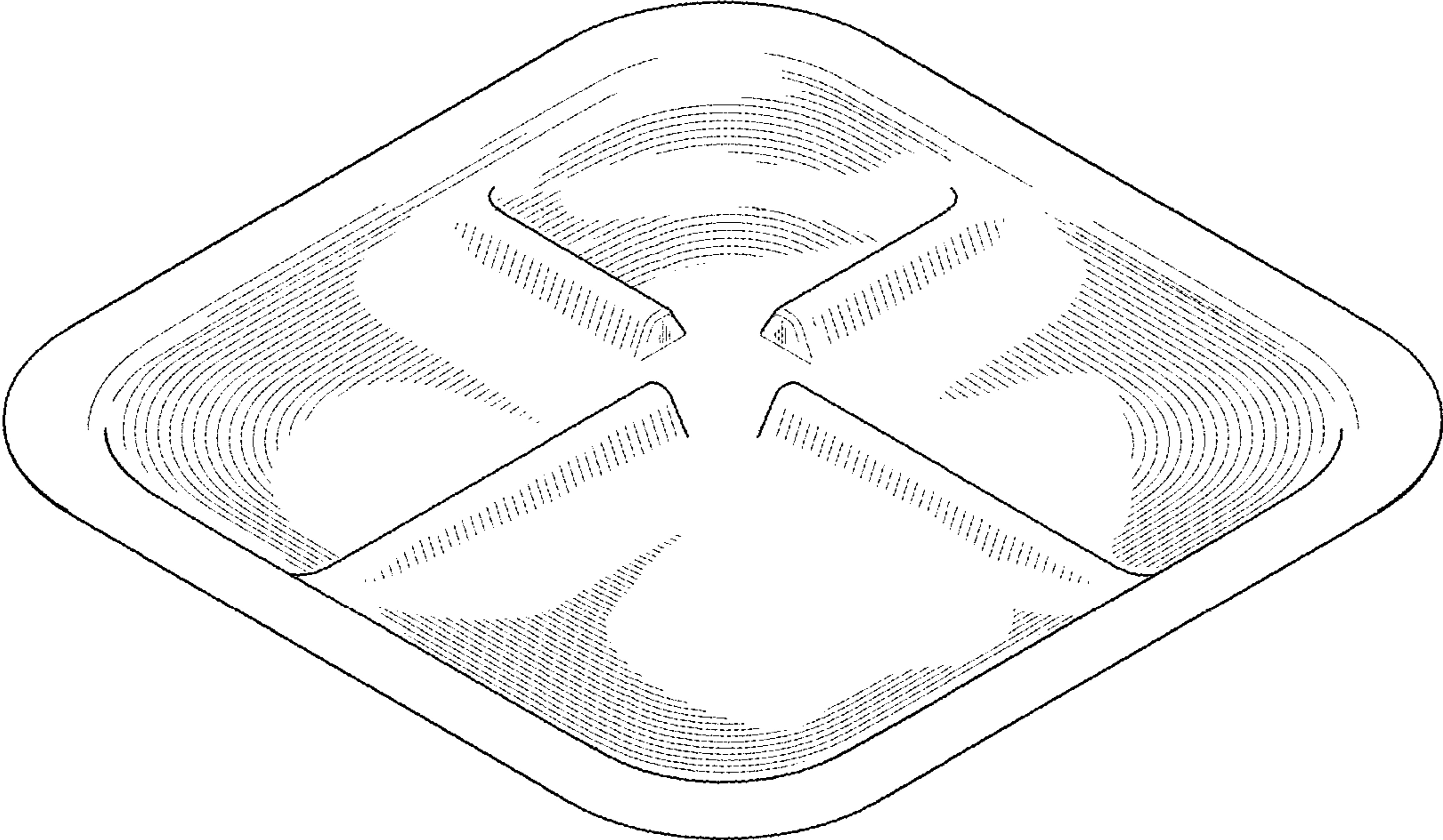


FIG. 1

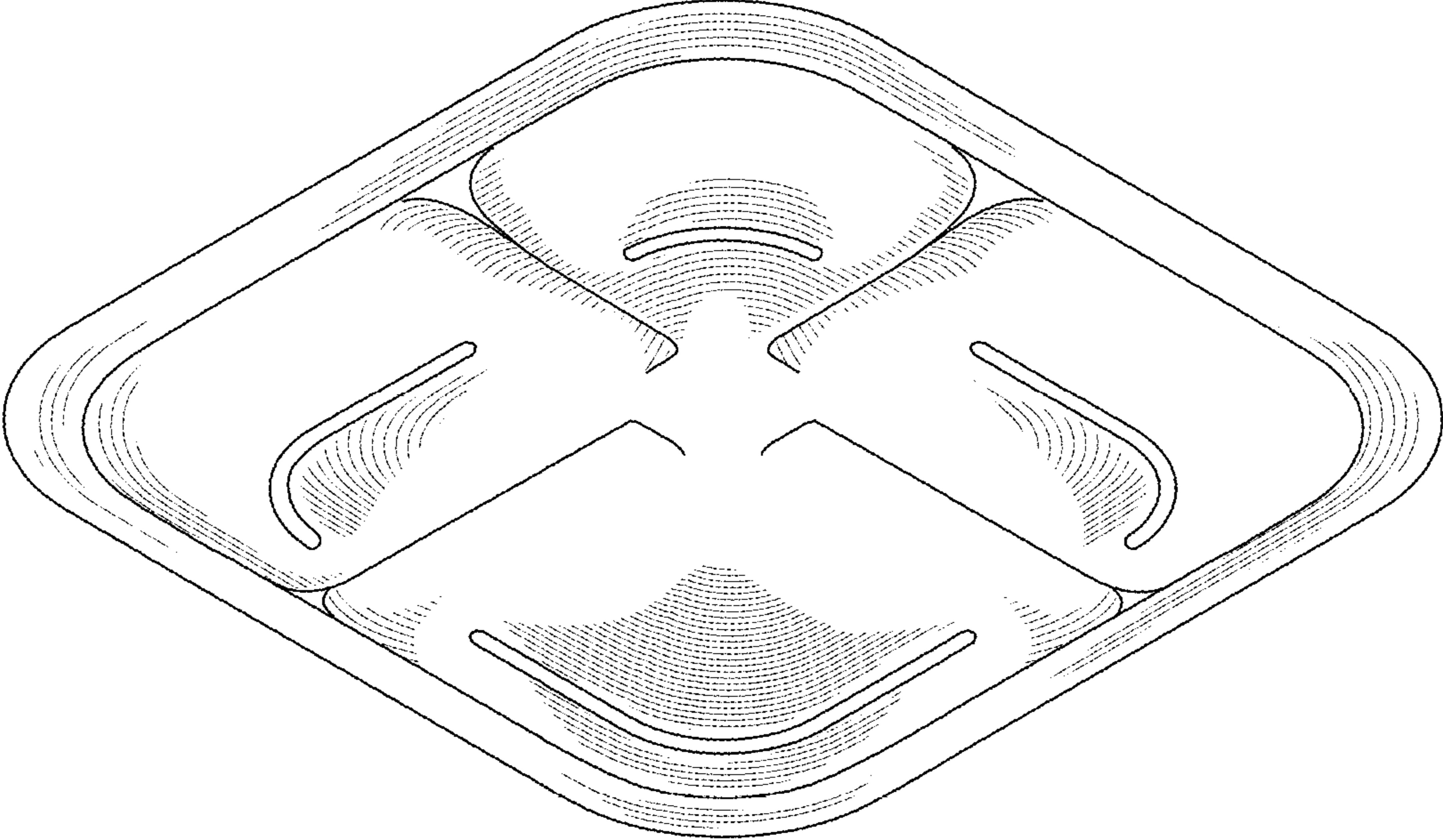


FIG. 2

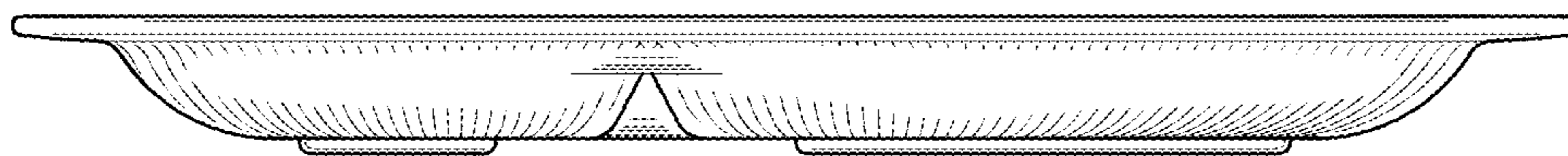


FIG. 3

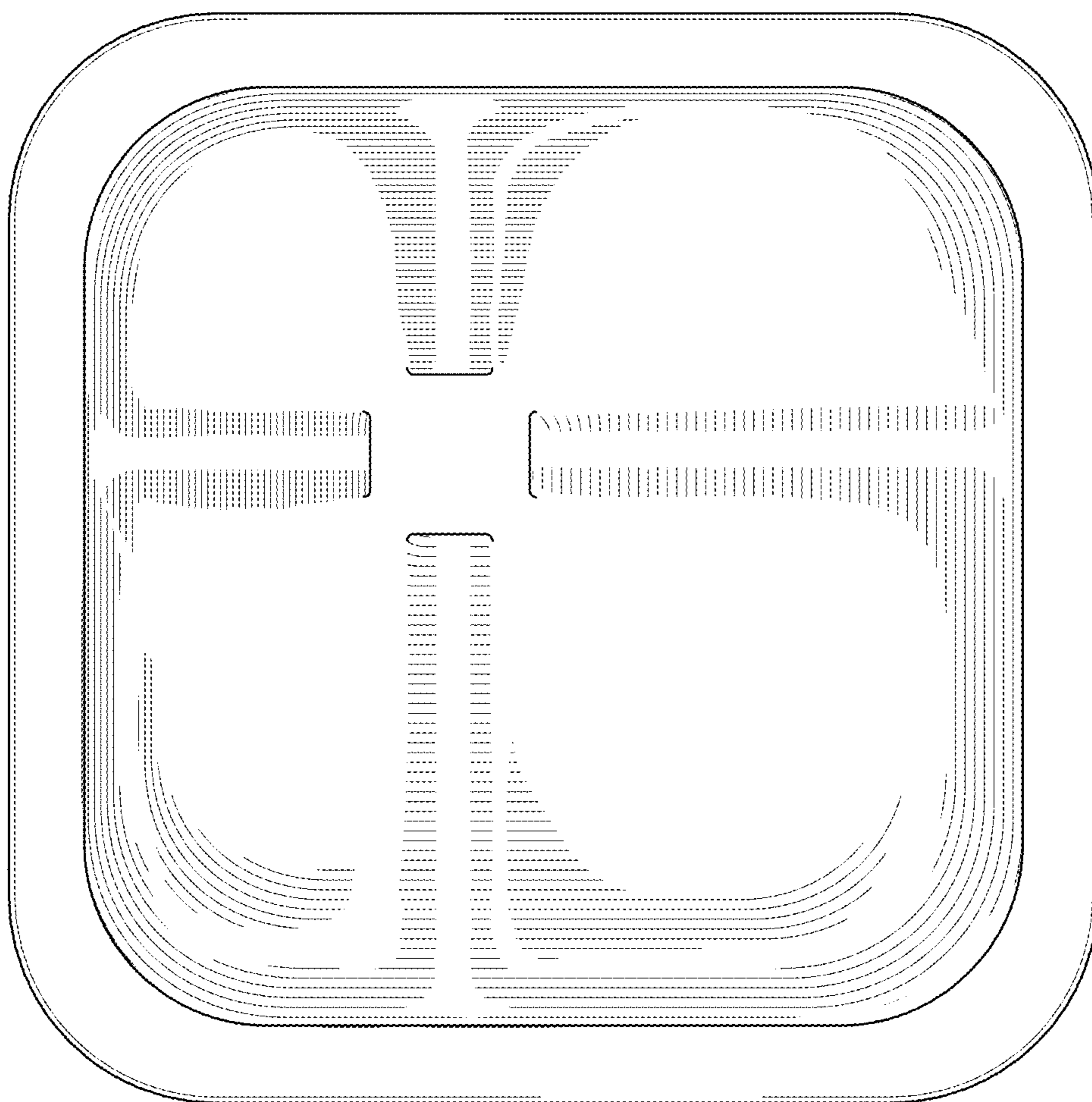


FIG. 4

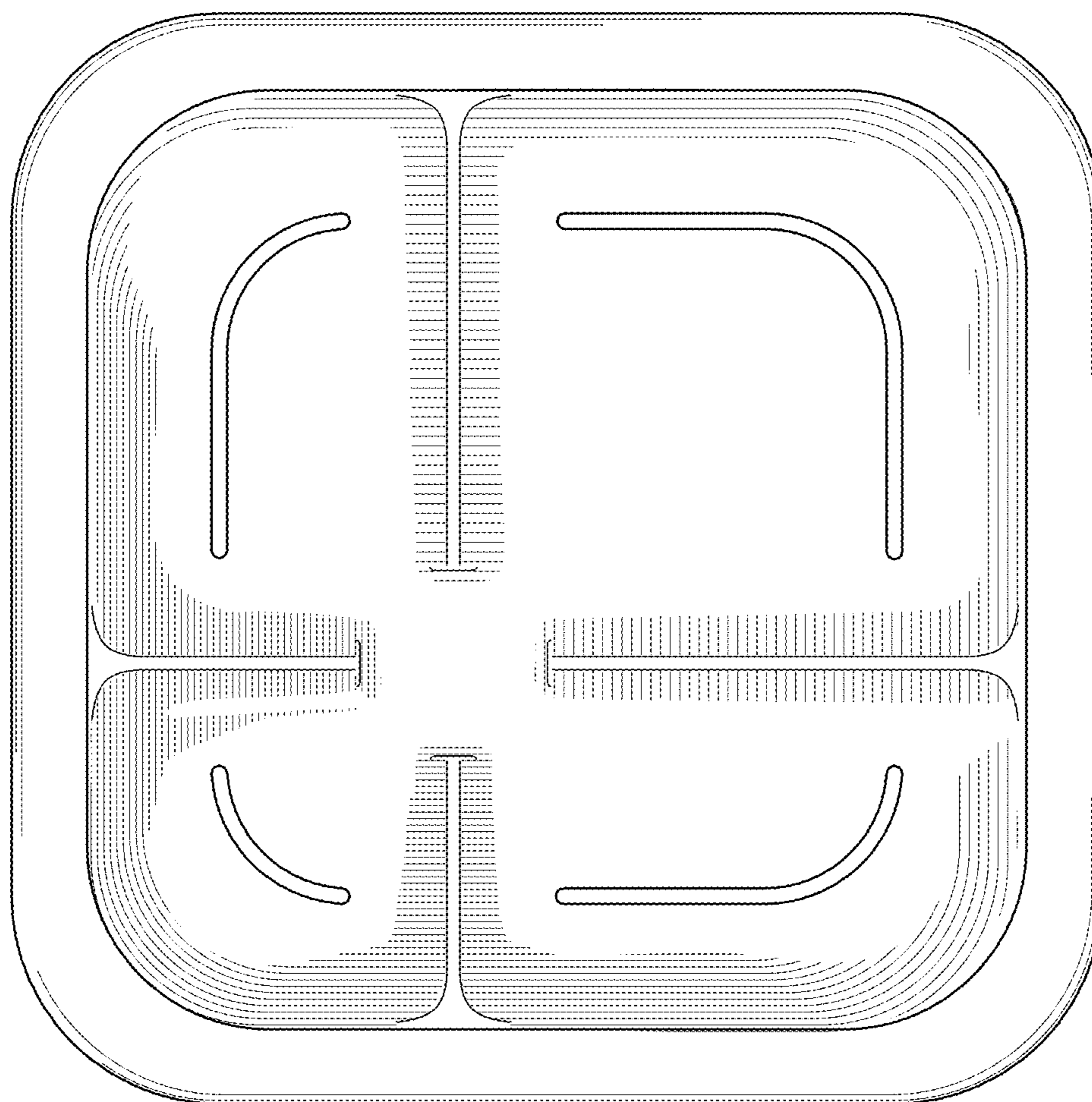


FIG. 5