



US00D774828S

(12) **United States Design Patent** (10) **Patent No.:** **US D774,828 S**  
**Miller** (45) **Date of Patent:** **\*\* Dec. 27, 2016**

(54) **BEVERAGE CONTAINER**  
(71) Applicant: **IGNITE USA, LLC**, Chicago, IL (US)  
(72) Inventor: **Blair Miller**, Chicago, IL (US)  
(73) Assignee: **Ignite USA, LLC**, Chicago, IL (US)  
(\*\*) Term: **14 Years**  
(21) Appl. No.: **29/514,869**  
(22) Filed: **Jan. 16, 2015**  
(51) **LOC (10) Cl.** ..... **07-01**  
(52) **U.S. Cl.**  
USPC ..... **D7/523; D7/532**  
(58) **Field of Classification Search**  
USPC ..... D7/507, 509, 510, 511, 512, 523, 527,  
D7/528, 532, 591, 608, 612, 500, 629,  
D7/630; D9/549, 559, 546, 541, 519, 558,  
D9/500; D11/146, 140, 144, 153;  
220/592.16, 592.17, 592.2, 62.12, 703,  
220/669, 608  
CPC .... A47G 19/22; A47G 19/2227; A47G 19/02;  
B65D 1/265  
See application file for complete search history.

(56) **References Cited**  
U.S. PATENT DOCUMENTS  
694,932 A 3/1902 Abbee et al.  
801,564 A 10/1905 Allen et al.  
882,378 A 3/1908 Friendlich  
2,725,733 A 12/1955 Davis  
2,895,636 A 7/1959 Martin  
D194,053 S 11/1962 Cornelius  
3,120,570 A 2/1964 Kennedy et al.  
D202,643 S 10/1965 Hoyt, Jr.  
3,221,915 A 12/1965 Gort et al.  
D204,483 S 4/1966 Frank  
D222,628 S 11/1971 Beckman  
D226,962 S 5/1973 Krock  
3,964,631 A 6/1976 Albert  
D243,911 S 4/1977 Thorud

4,133,446 A 1/1979 Albert  
4,146,157 A 3/1979 Dixon, Sr. et al.  
4,184,601 A 1/1980 Stewart et al.  
4,212,408 A 7/1980 Valenzona  
4,273,245 A 6/1981 Hartinger Machalek  
D264,557 S \* 5/1982 Groenewold ..... D9/429  
D265,372 S \* 7/1982 Groenewold ..... D7/523  
4,357,809 A 11/1982 Held et al.  
D267,850 S \* 2/1983 Groenewold ..... D7/509  
D271,650 S \* 12/1983 Groenewold ..... D7/523  
4,448,825 A 5/1984 Asahara  
4,558,806 A 12/1985 Shabram, Sr. et al.  
4,595,437 A 6/1986 Yamamoto  
4,618,066 A 10/1986 Vail

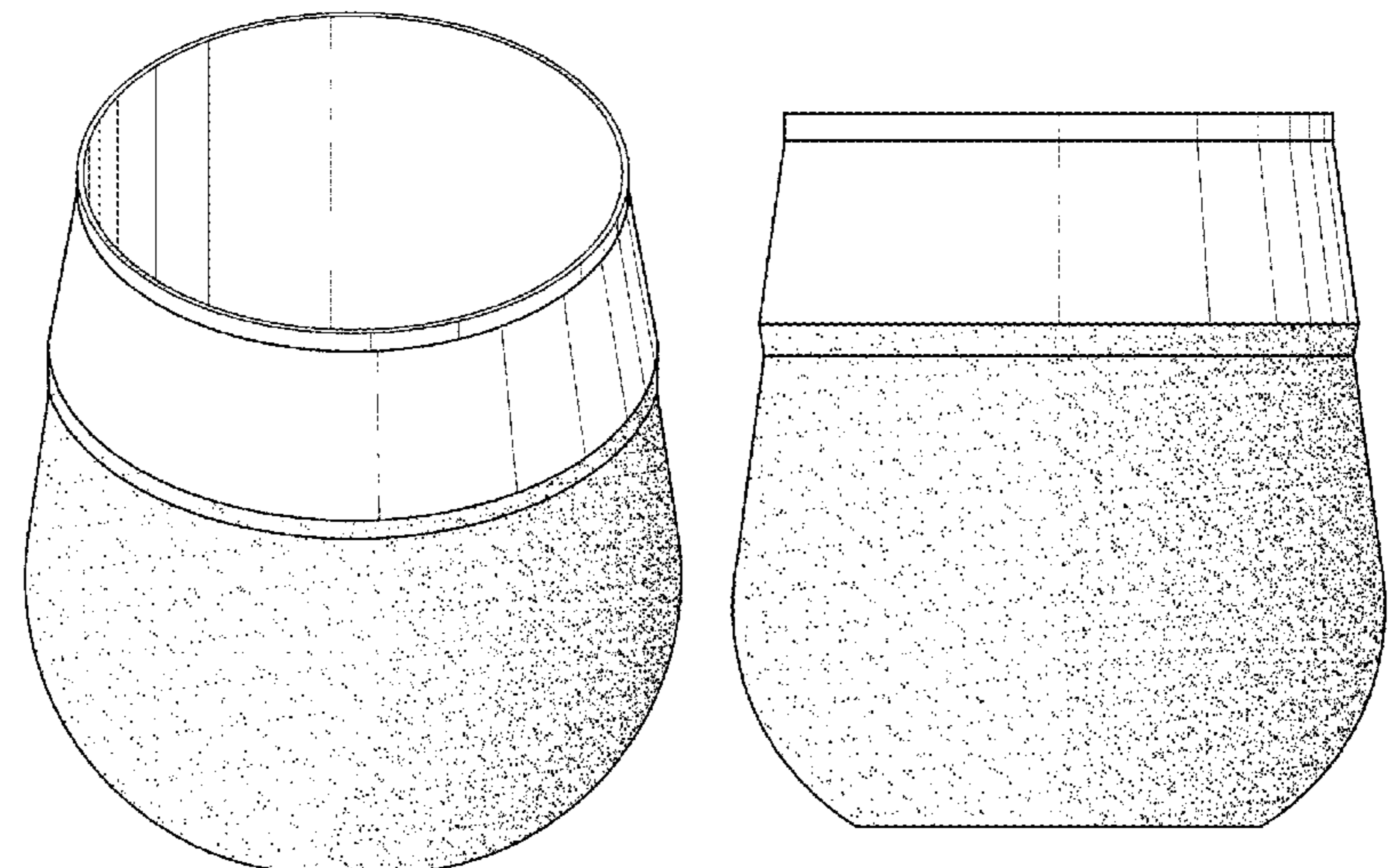
(Continued)

*Primary Examiner* — Marianne Pandozzi  
*Assistant Examiner* — Jae Liang  
(74) *Attorney, Agent, or Firm* — Marshall, Gerstein & Borun LLP

(57) **CLAIM**  
I claim the ornamental design for a beverage container, as shown and described.

**DESCRIPTION**  
FIG. 1 is a top perspective view of a beverage container showing my new design;  
FIG. 2 is a bottom perspective view of the beverage container shown in FIG. 1;  
FIG. 3 is a front view of the beverage container shown in FIG. 1;  
FIG. 4 is a rear view of the beverage container shown in FIG. 1;  
FIG. 5 is a left side view of the beverage container shown in FIG. 1;  
FIG. 6 is a right side view of the beverage container shown in FIG. 1;  
FIG. 7 is a top view of the beverage container shown in FIG. 1; and,  
FIG. 8 is a bottom view of the beverage container shown in FIG. 1.

**1 Claim, 4 Drawing Sheets**



(56)

References Cited

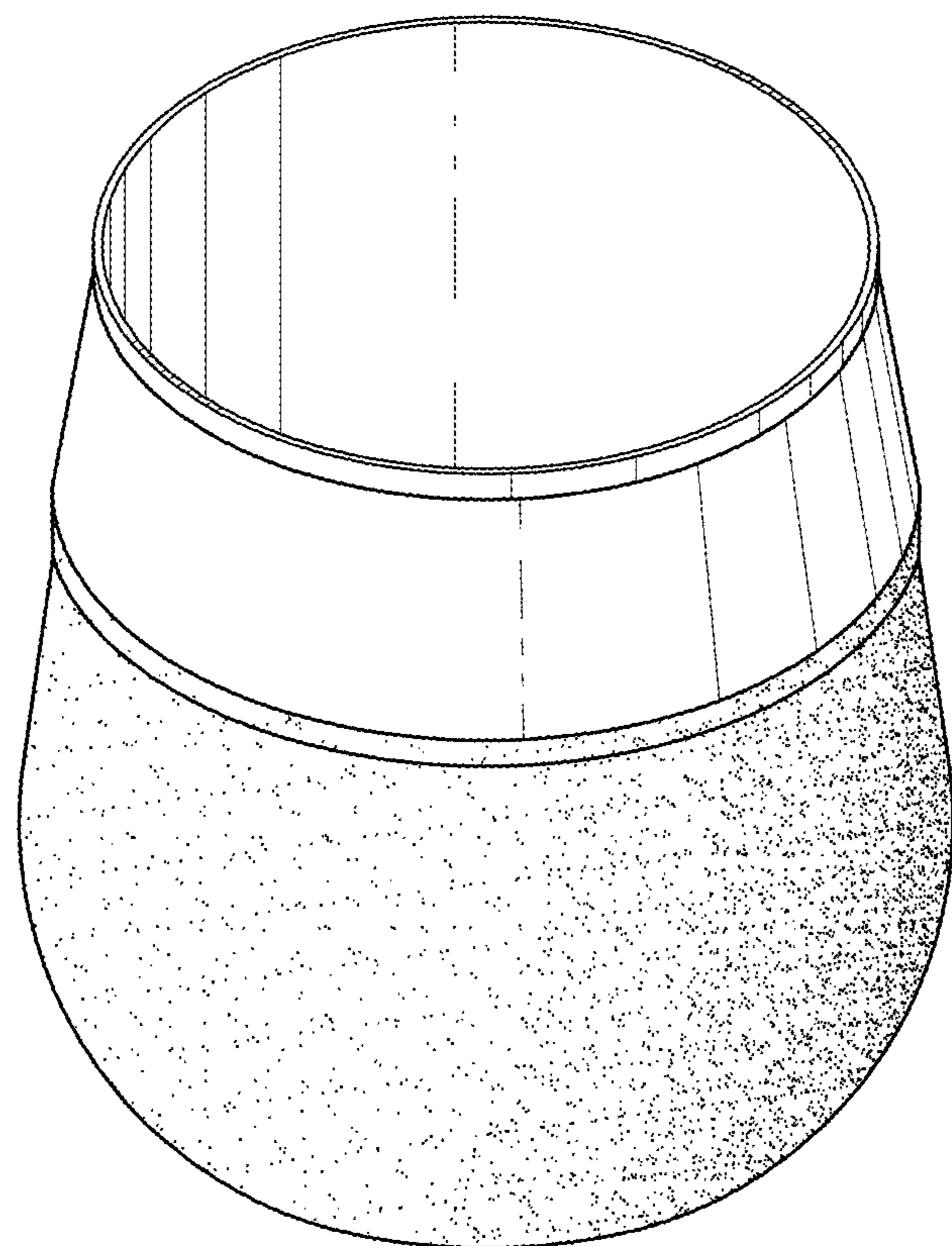
U.S. PATENT DOCUMENTS

D290,568 S 6/1987 Feltman et al.  
 D302,634 S 8/1989 Segal  
 4,928,848 A 5/1990 Ballway  
 5,056,749 A 10/1991 Ige  
 5,067,329 A 11/1991 Tomlinson  
 5,242,079 A 9/1993 Stephens et al.  
 5,454,482 A 10/1995 Simon  
 D365,965 S 1/1996 Yeh  
 5,515,995 A 5/1996 Allen et al.  
 5,531,353 A 7/1996 Ward et al.  
 D377,738 S 2/1997 Thorne  
 5,678,725 A 10/1997 Yamada et al.  
 5,797,523 A 8/1998 Gross  
 D406,985 S 3/1999 Trombly  
 5,918,761 A 7/1999 Wissinger  
 D422,101 S \* 3/2000 Barraclough ..... D26/9  
 6,076,699 A 6/2000 Seager et al.  
 6,164,191 A 12/2000 Liu et al.  
 6,179,155 B1 1/2001 Komiya et al.  
 6,237,801 B1 5/2001 Liu  
 D444,929 S 7/2001 Cox  
 6,308,846 B1 10/2001 Muller  
 6,352,166 B1 3/2002 Copeland  
 D456,212 S 4/2002 Bridges  
 6,405,892 B1 6/2002 Volan  
 6,419,108 B1 7/2002 Toida et al.  
 D462,579 S 9/2002 Janky  
 D465,132 S 11/2002 Janky et al.  
 6,520,369 B1 2/2003 Cytacki  
 6,604,648 B2 8/2003 Immerman et al.  
 D488,348 S 4/2004 Liu  
 6,746,132 B2 6/2004 Liu  
 6,758,363 B2 7/2004 Stokes  
 D497,080 S 10/2004 Greenspon  
 D505,592 S 5/2005 Liu  
 D505,831 S 6/2005 Liu  
 D506,641 S 6/2005 Liu  
 D510,681 S 10/2005 Liu  
 D511,072 S 11/2005 Trombly  
 D512,269 S 12/2005 Trombly  
 D516,429 S \* 3/2006 Helps ..... D7/615  
 D524,107 S 7/2006 El-Saden et al.  
 D524,602 S 7/2006 Arduini  
 D527,222 S 8/2006 Liu  
 D533,779 S 12/2006 Schmidtner et al.  
 D543,784 S \* 6/2007 Assez ..... D7/509

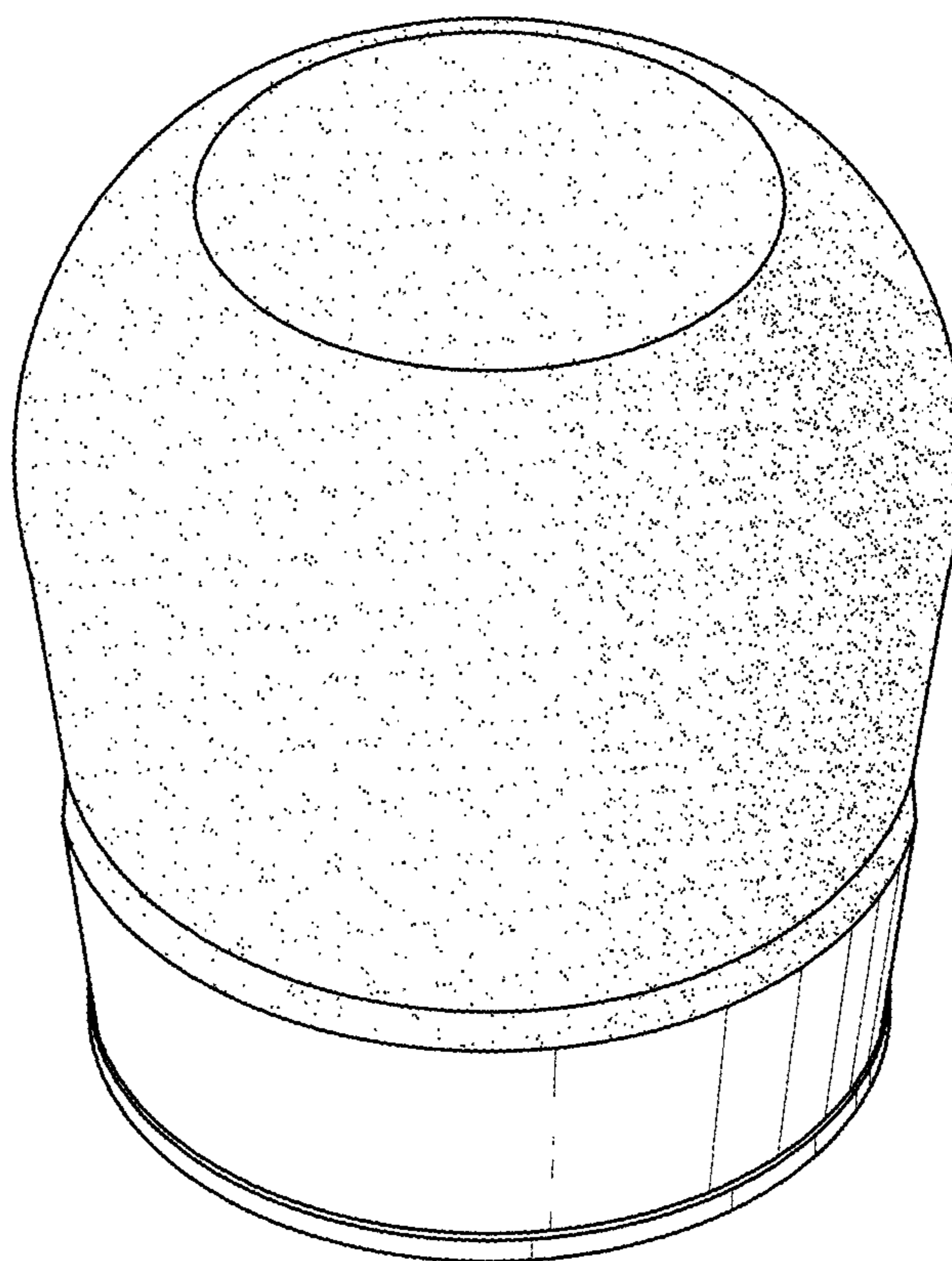
D550,034 S \* 9/2007 Bodum ..... D7/509  
 D551,502 S \* 9/2007 Bodum ..... D7/509  
 D557,075 S 12/2007 Lucaci et al.  
 7,306,113 B2 12/2007 El-Saden et al.  
 D562,077 S 2/2008 Bhavnani  
 D569,191 S 5/2008 Germany  
 D581,727 S 12/2008 Pinelli et al.  
 D592,456 S 5/2009 Pinelli et al.  
 7,546,933 B2 6/2009 Pinelli  
 D597,792 S \* 8/2009 Lion ..... D7/509  
 7,780,046 B1 8/2010 Lowe  
 D623,017 S 9/2010 George  
 D623,899 S \* 9/2010 Baratte ..... D7/523  
 D644,060 S 8/2011 Komeiji  
 D647,760 S 11/2011 Pearson  
 D651,855 S 1/2012 Elsaden et al.  
 D666,052 S 8/2012 Trombly  
 8,328,014 B2 \* 12/2012 Saunders ..... B65D 77/0486  
 206/426  
 D675,873 S 2/2013 Miller et al.  
 D691,416 S 10/2013 Eyal  
 8,550,280 B2 10/2013 Steuer  
 D693,630 S 11/2013 Hurley et al.  
 8,584,878 B2 11/2013 McDowell  
 D696,073 S 12/2013 Miller et al.  
 D696,906 S 1/2014 Roth  
 D721,540 S 1/2015 Grcic  
 D732,337 S 6/2015 Coon et al.  
 D739,735 S \* 9/2015 Darling ..... D9/500  
 D743,745 S \* 11/2015 Saber ..... D7/523  
 D746,108 S \* 12/2015 Di Giuseppantonio ..... D7/509  
 2003/0029876 A1 2/2003 Giraud  
 2004/0017678 A1 1/2004 Liu  
 2004/0251259 A1 12/2004 Copeland  
 2005/0098565 A1 5/2005 Liu  
 2005/0103794 A1 5/2005 Liu  
 2006/0081633 A1 4/2006 Schmidtner et al.  
 2006/0226160 A1 10/2006 Elsaden et al.  
 2006/0249518 A1 \* 11/2006 Festa ..... A47G 19/2205  
 220/669  
 2007/0164026 A1 7/2007 Morrissey et al.  
 2009/0266828 A1 10/2009 Cai et al.  
 2011/0315684 A1 12/2011 Bratsch  
 2012/0103987 A1 5/2012 Lucas  
 2012/0145712 A1 6/2012 Bratsch  
 2012/0325815 A1 12/2012 Gilbert et al.  
 2013/0062358 A1 3/2013 El-Saden et al.  
 2013/0119060 A1 5/2013 Chiou et al.

\* cited by examiner



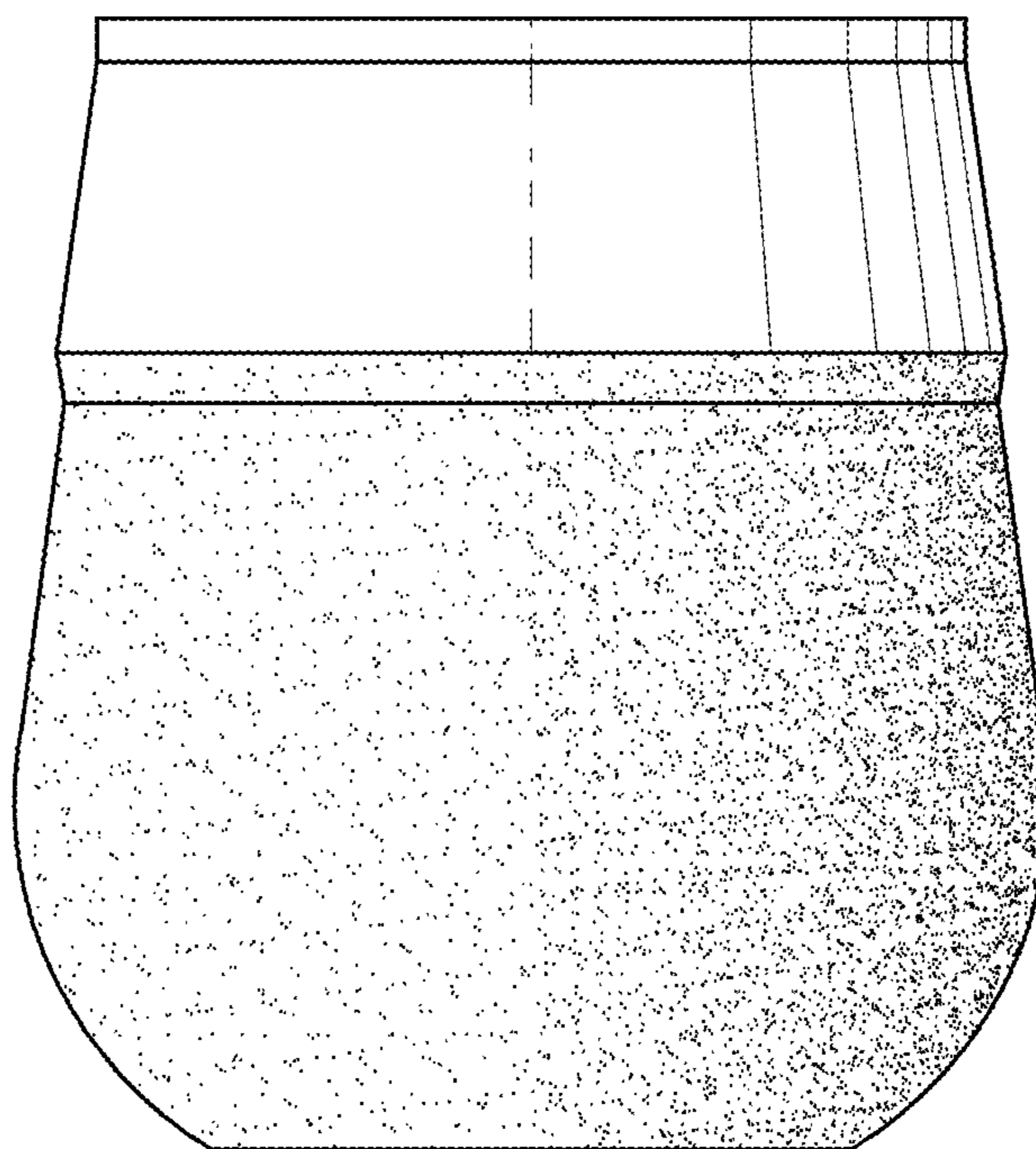


*FIG. 1*

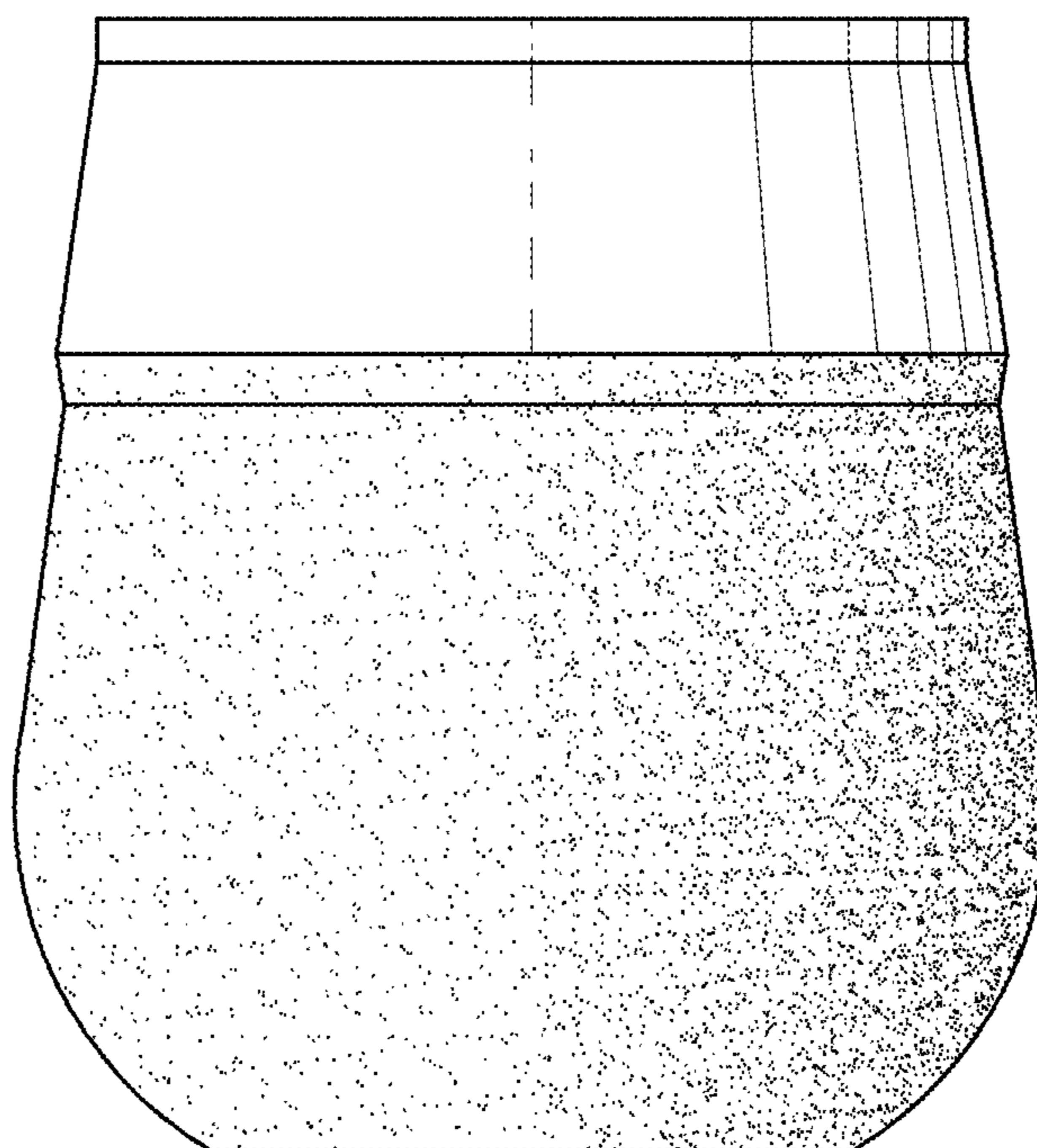


*FIG. 2*

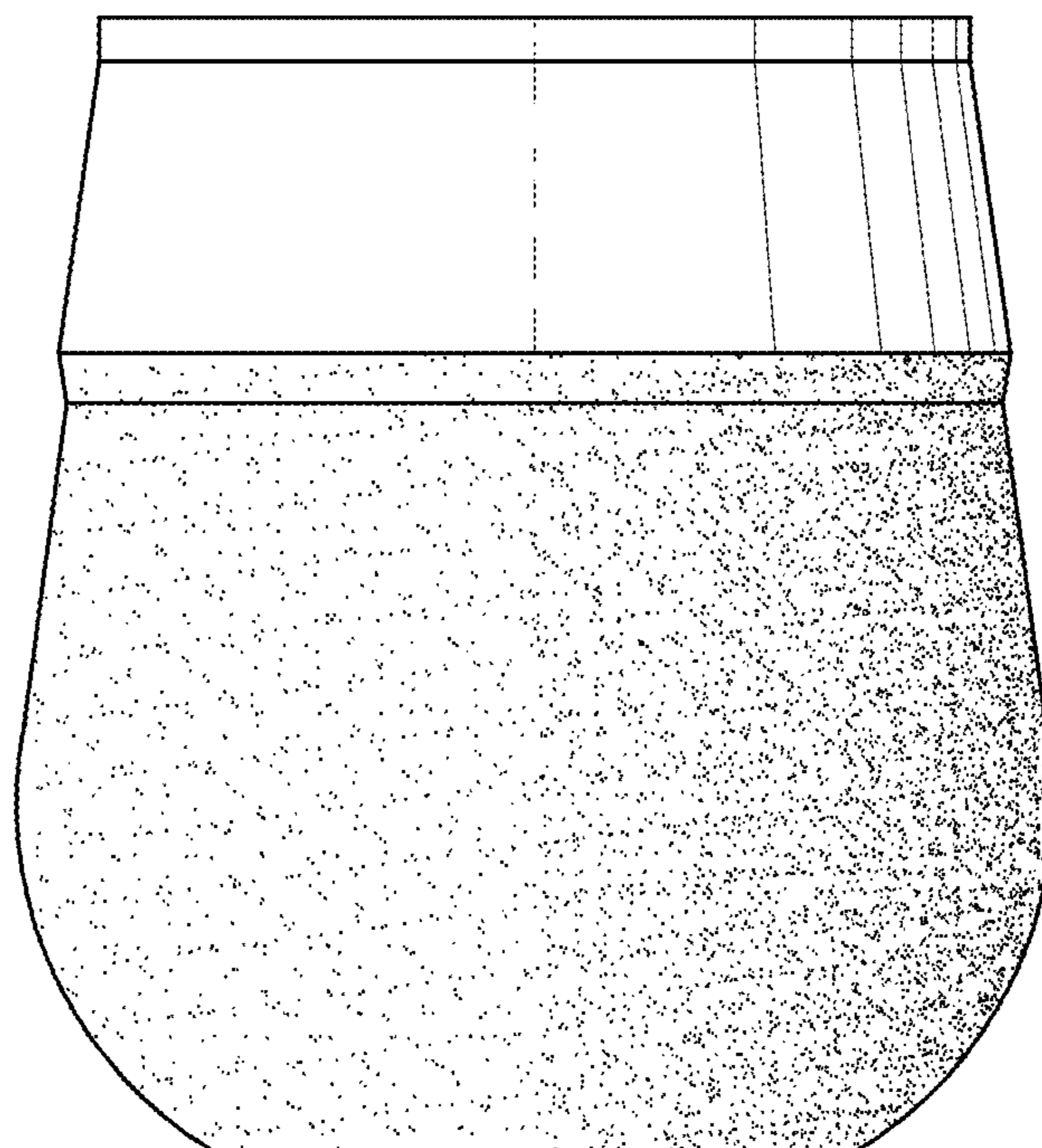
*FIG. 3*



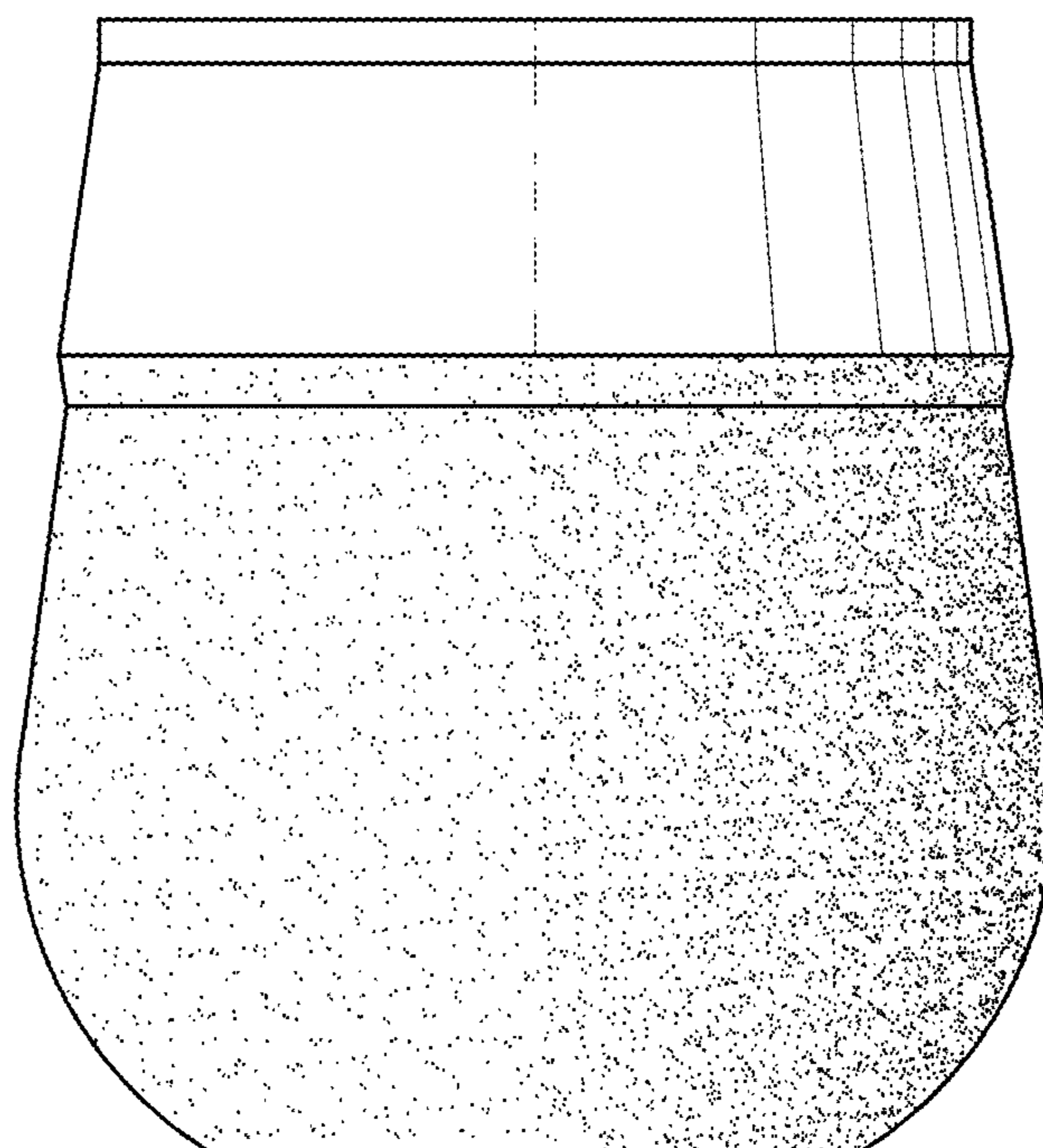
*FIG. 4*



*FIG. 5*

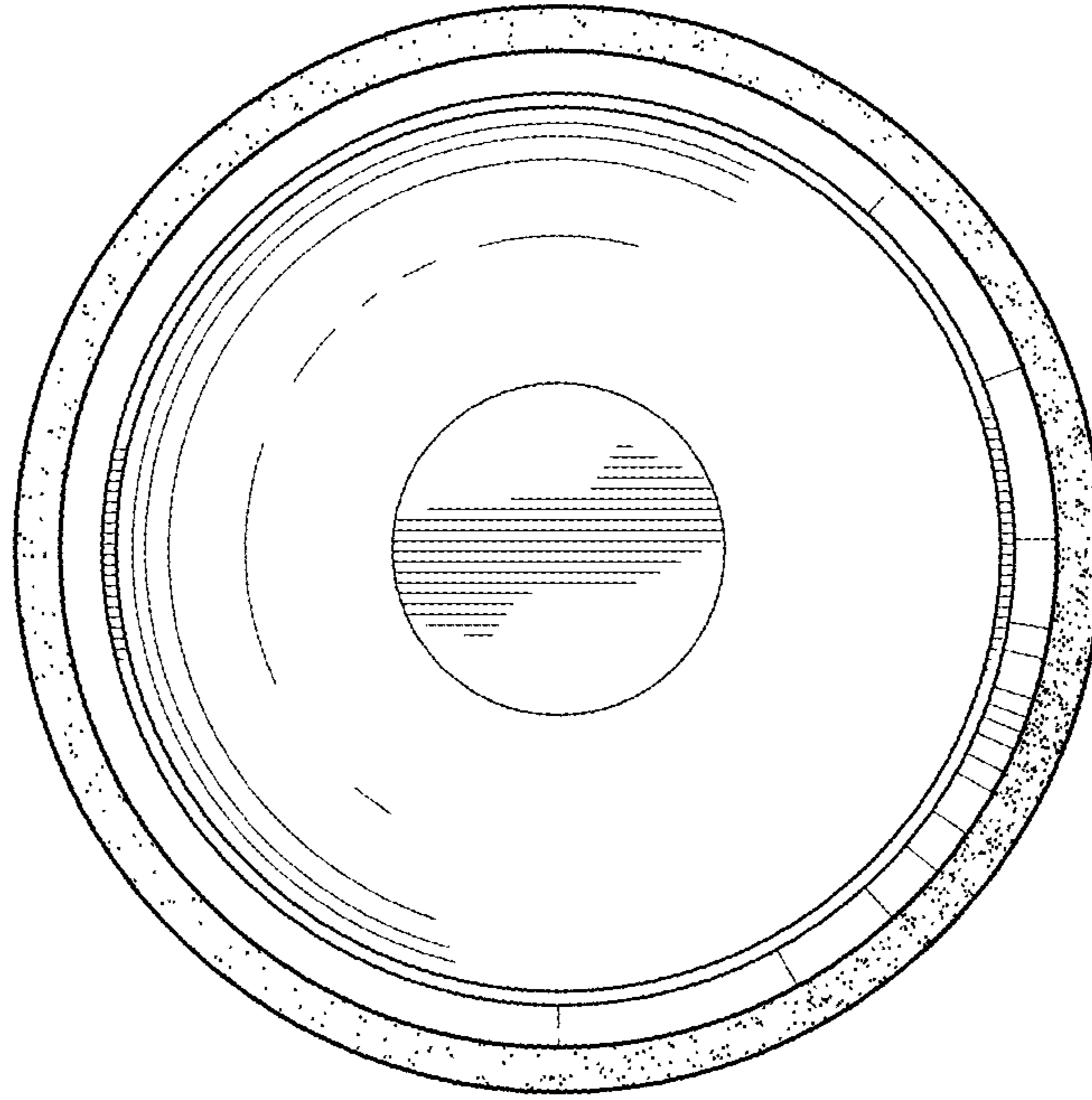


*FIG. 6*





*FIG. 7*



*FIG. 8*

