



US00D774826S

(12) **United States Design Patent**
Boroski

(10) **Patent No.:** **US D774,826 S**

(45) **Date of Patent:** **** Dec. 27, 2016**

(54) **BOTTLE WITH SIDEWALL DESIGN**

(71) Applicant: **THERMOS L.L.C.**, Schaumburg, IL
(US)

(72) Inventor: **Dwayne Boroski**, Lake in the Hills, IL
(US)

(73) Assignee: **THERMOS L.L.C.**, Schaumburg, IL
(US)

(**) Term: **15 Years**

(21) Appl. No.: **29/556,513**

(22) Filed: **Mar. 1, 2016**

(51) **LOC (10) Cl.** **07-01**

(52) **U.S. Cl.**
USPC **D7/510; D7/511; D7/529; D7/530;**
D9/552; D9/555

(58) **Field of Classification Search**

USPC **D7/507-512, 529-532, 533, 536, 213,**
D7/392.1, 396.1, 396.2, 396.4, 900, 608;
D9/503, 504, 555, 568, 554, 567, 904,
D9/453, 442, 443, 773, 434, 435, 440,
D9/444, 447, 449, 526, 552, 571; D3/202;
D24/197, 122; 220/592.16, 592.17,
220/592.27; 215/381-384
CPC **B65D 23/00; B65D 47/066; B65D 41/04;**
B65D 41/0414; B65D 47/08; A45F 3/16
See application file for complete search history.

(56) **References Cited**

U.S. PATENT DOCUMENTS

D216,407 S 12/1969 Kull et al.
D262,192 S 12/1981 Wedge
D262,932 S 2/1982 Daenen
D283,596 S 4/1986 Fortuna et al.
D286,508 S 11/1986 Tilden
D308,828 S 6/1990 Magnusson

D318,980 S * 8/1991 Unger D7/535
D332,215 S * 1/1993 Halvorson D7/511
D346,801 S * 5/1994 Traina D14/189
D364,781 S * 12/1995 Fenton D7/529
D468,588 S 1/2003 Norris et al.
D492,158 S 6/2004 Bodum
D531,451 S * 11/2006 Bin D7/510
D534,396 S 1/2007 Kramer
D538,110 S 3/2007 Kitamura et al.
D544,302 S * 6/2007 Gibbons D7/510

(Continued)

OTHER PUBLICATIONS

U.S. Appl. No. 29/556,494, filed Mar. 1, 2016 (24 pages).

(Continued)

Primary Examiner — Marianne Pandozzi

Assistant Examiner — Jae Liang

(74) *Attorney, Agent, or Firm* — Polsinelli PC

(57)

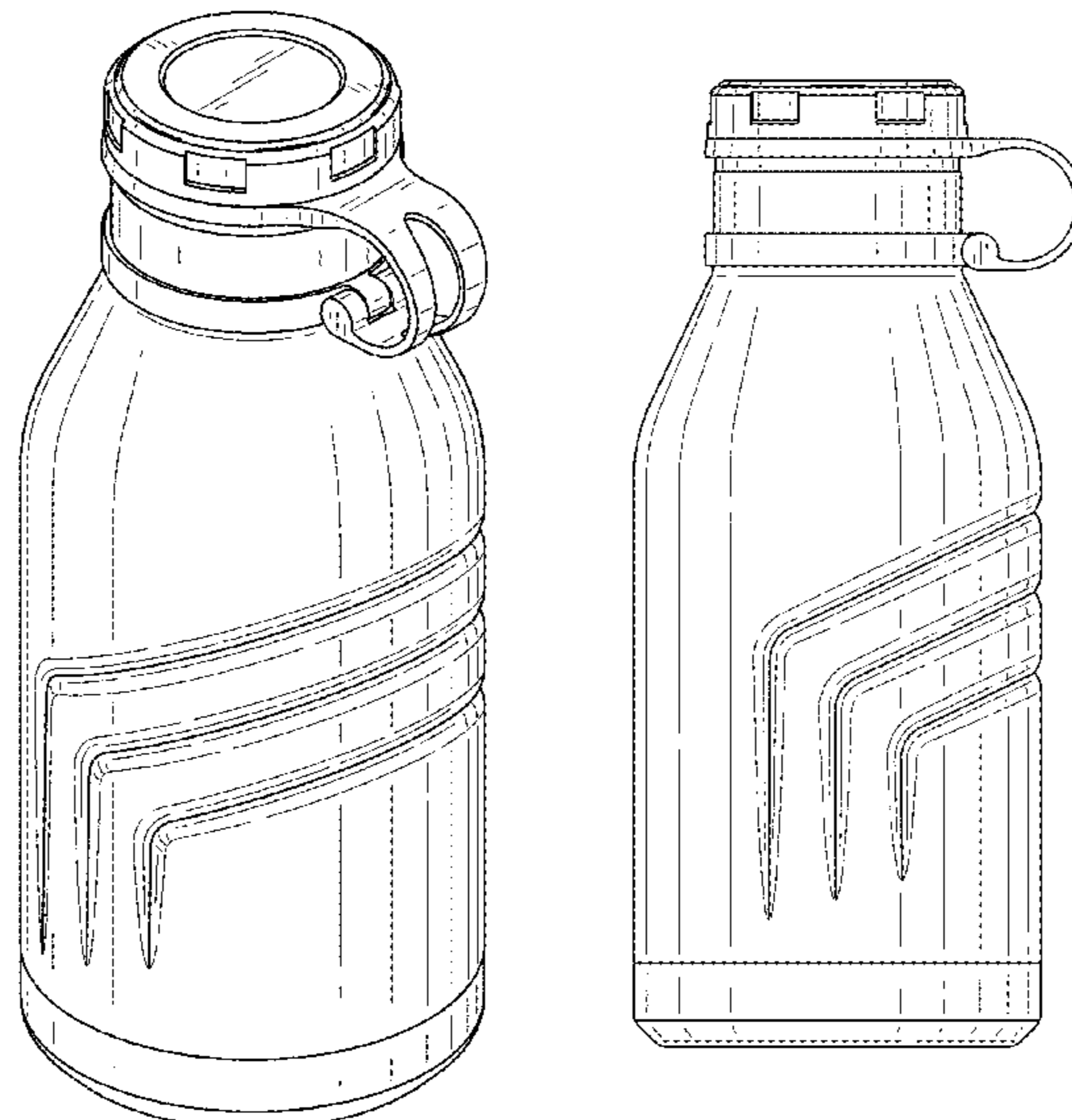
CLAIM

The ornamental design for a bottle with sidewall design, as shown and described.

DESCRIPTION

FIG. 1 is a perspective view of a bottle with sidewall design showing my new design;
FIG. 2 is a front view of the bottle with sidewall design;
FIG. 3 is a rear view of the bottle with sidewall design;
FIG. 4 is a right side view of the bottle with sidewall design;
FIG. 5 is a left side view of the bottle with sidewall design;
FIG. 6 is a top view of the bottle with sidewall design; and,
FIG. 7 is a bottom view of the bottle with sidewall design.
The broken lines in the drawing depict portions of the bottle with sidewall design that form no part of the claimed design. The dash-dot lines showing in the figures are included for defining the bounds of the claimed design that form no part thereof.

1 Claim, 4 Drawing Sheets



(56)

References Cited

U.S. PATENT DOCUMENTS

D549,048 S * 8/2007 Duke D7/510
 D555,430 S 11/2007 Tien
 D567,589 S * 4/2008 Freeman D7/533
 D584,613 S * 1/2009 Yan D9/438
 D587,069 S 2/2009 Bodum
 D590,661 S 4/2009 Kitamura et al.
 D602,782 S * 10/2009 Lepoitevin D9/453
 D604,561 S * 11/2009 Chisholm D7/510
 D609,053 S * 2/2010 Dingenouts D7/509
 D617,144 S * 6/2010 O'Connor D7/396.2
 D619,418 S 7/2010 Nezu et al.
 D622,545 S 8/2010 Wahl
 D622,553 S 8/2010 Bollenbacher
 D630,044 S * 1/2011 Lane D7/392.1
 D630,473 S * 1/2011 Poppie D7/525
 D637,455 S * 5/2011 Lipson D7/510
 D639,113 S * 6/2011 Hayes D7/509
 D642,472 S 8/2011 Concini et al.
 D642,473 S * 8/2011 Vanhooland D9/516
 8,016,148 B2 9/2011 Walsh
 D649,881 S 12/2011 Rinderer et al.
 D655,569 S 3/2012 Lipson
 D655,581 S 3/2012 Kotani
 D656,025 S * 3/2012 Carreno D7/509
 D658,445 S * 5/2012 Carreno D7/510
 D660,081 S 5/2012 Gilbert
 D660,082 S * 5/2012 Wahl D7/510
 D660,705 S * 5/2012 Simmons D9/449
 D672,648 S * 12/2012 Goto D9/443
 D675,865 S 2/2013 Wahl

D686,872 S 7/2013 Lane
 8,474,648 B1 7/2013 Ritzen
 D688,949 S 9/2013 Johnson et al.
 D690,557 S 10/2013 Carreno et al.
 D695,069 S 12/2013 Lane
 D699,516 S * 2/2014 Kim D7/510
 D700,802 S * 3/2014 Miller D7/392.1
 D702,505 S 4/2014 Nakatani
 D707,492 S 6/2014 George et al.
 D710,653 S 8/2014 Goto et al.
 D718,626 S 12/2014 Lane
 D722,249 S 2/2015 Valderrama et al.
 D725,966 S 4/2015 Boroski et al.
 D727,685 S * 4/2015 He D7/510
 D734,154 S 7/2015 Johnson et al.
 D735,580 S * 8/2015 Bourne D9/538
 D740,073 S 10/2015 Zorovich et al.
 D744,290 S 12/2015 Endo
 D752,446 S * 3/2016 Jasso Gomez D9/543
 2010/0219153 A1 * 9/2010 Mooney B65D 1/0223
 215/381
 2016/0000245 A1 1/2016 Sims
 2016/0115008 A1 * 4/2016 Bohlen B67C 3/22
 53/431

OTHER PUBLICATIONS

U.S. Appl. No. 29/523,348, filed Apr. 8, 2015 (16 pages).
 U.S. Appl. No. 29/523,349, filed Apr. 8, 2015xx (16 pages).
 U.S. Appl. No. 29/523,228, filed Apr. 7, 2015 (16 pages).

* cited by examiner

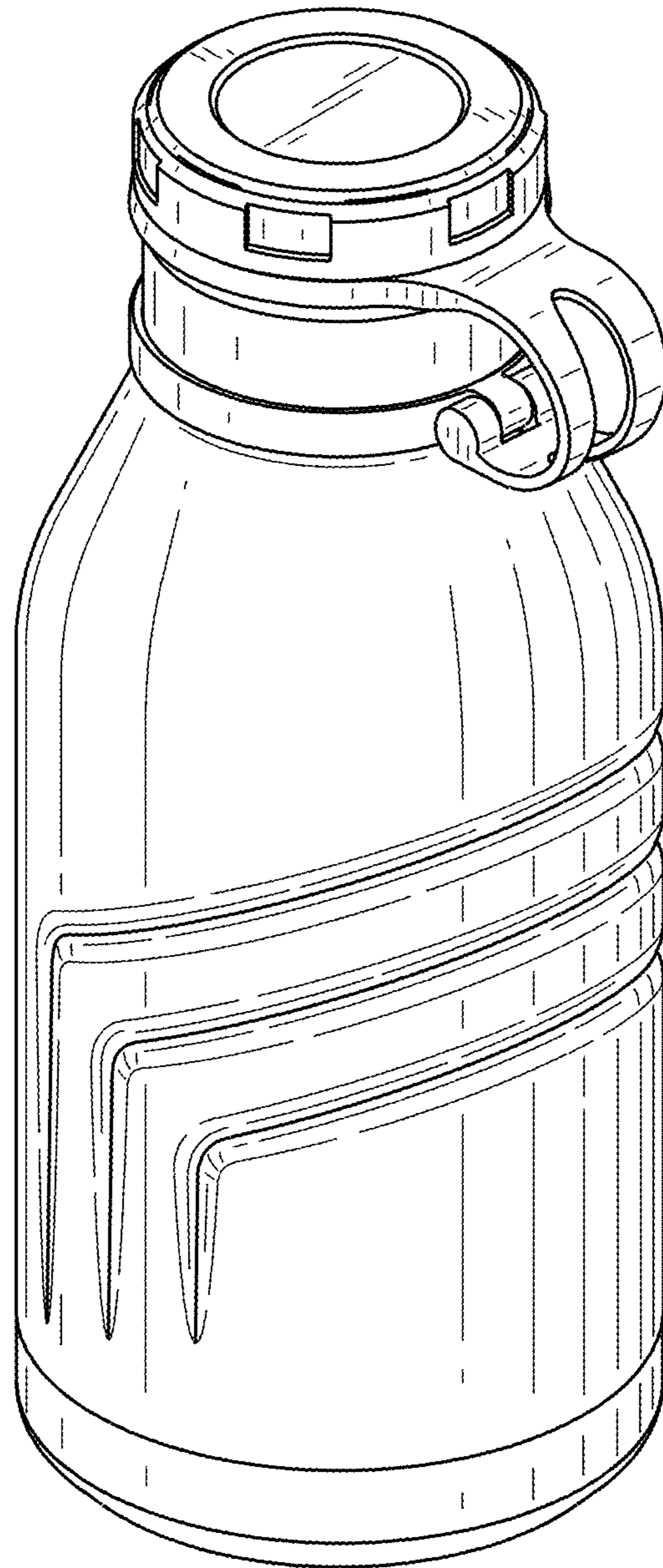


FIG. 1

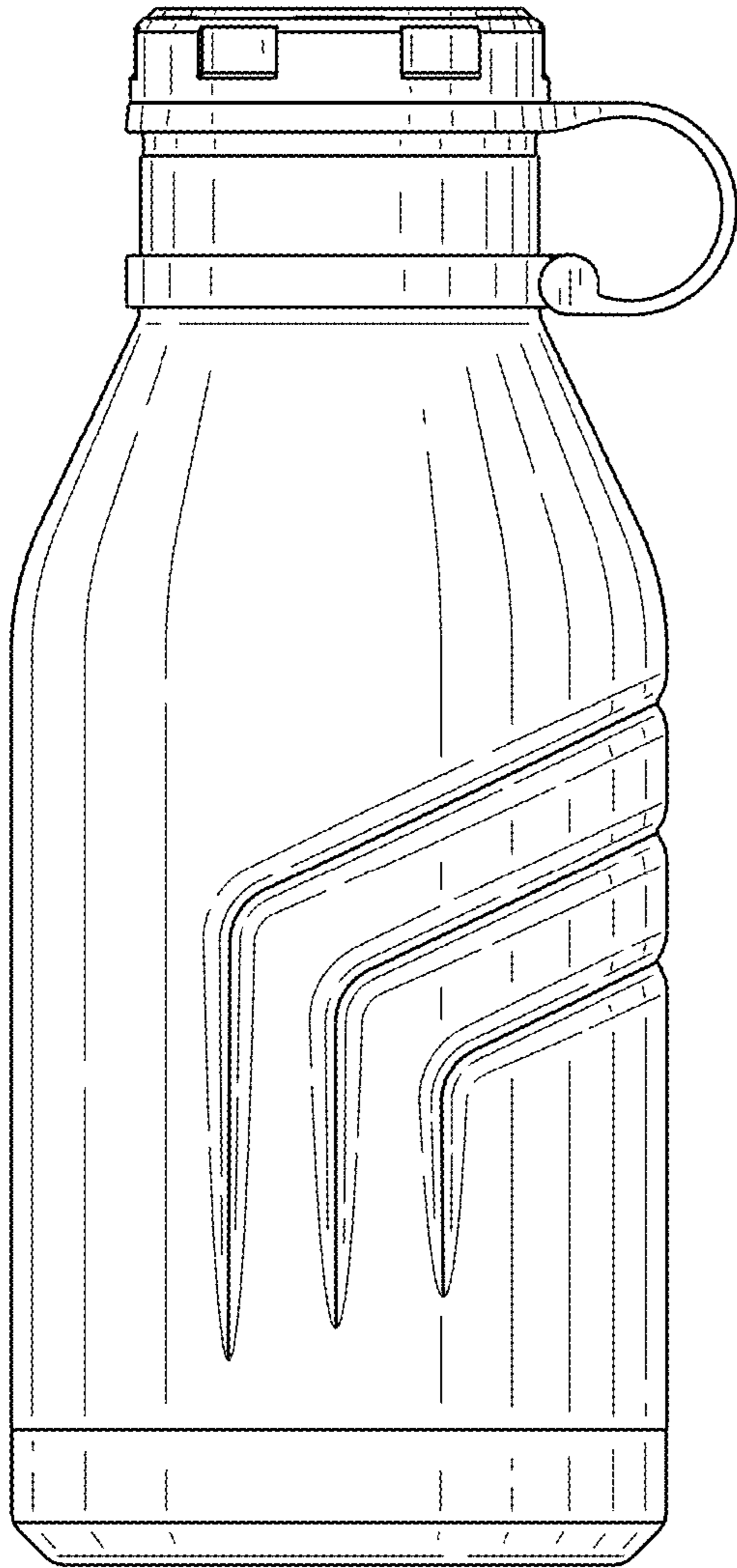


FIG. 2

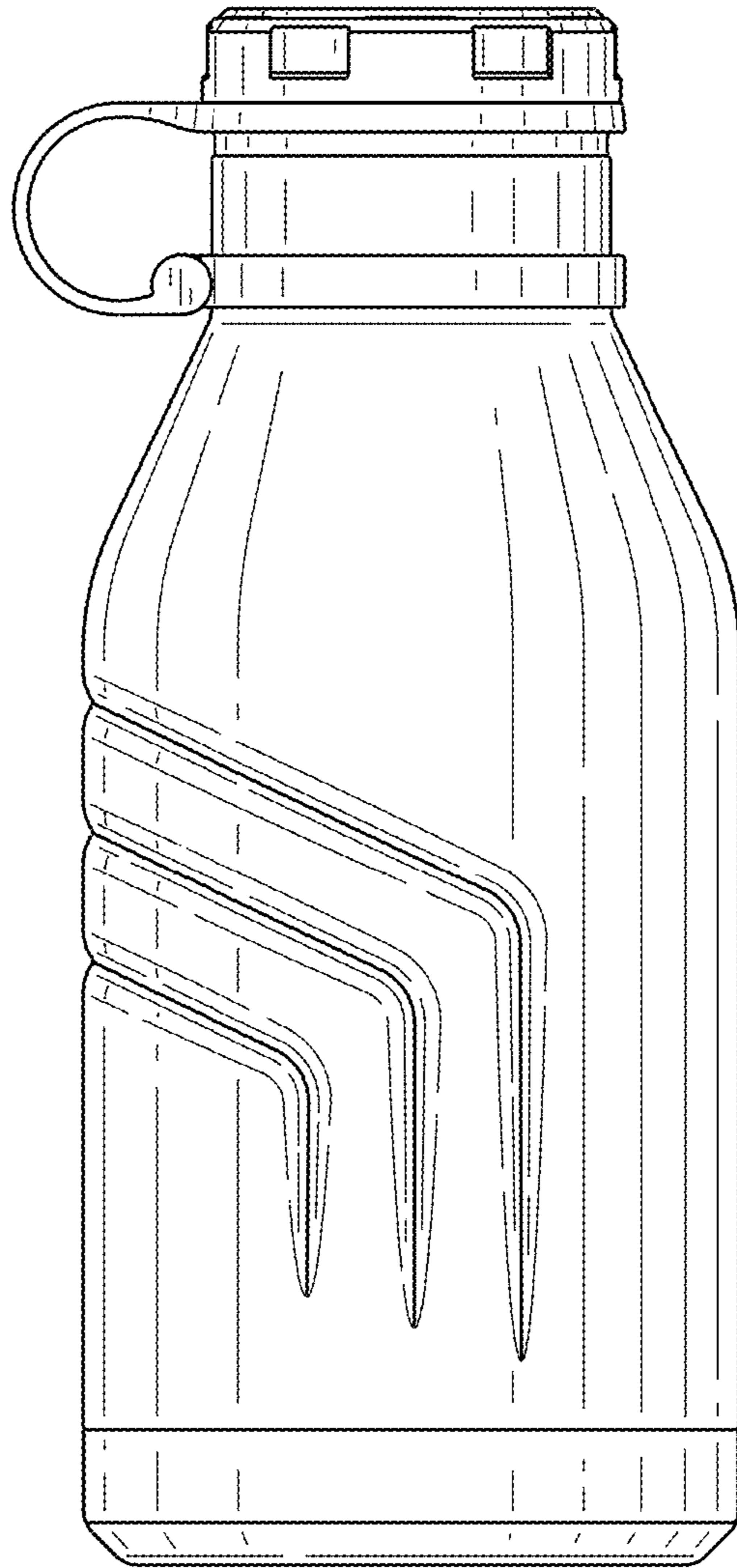


FIG. 3

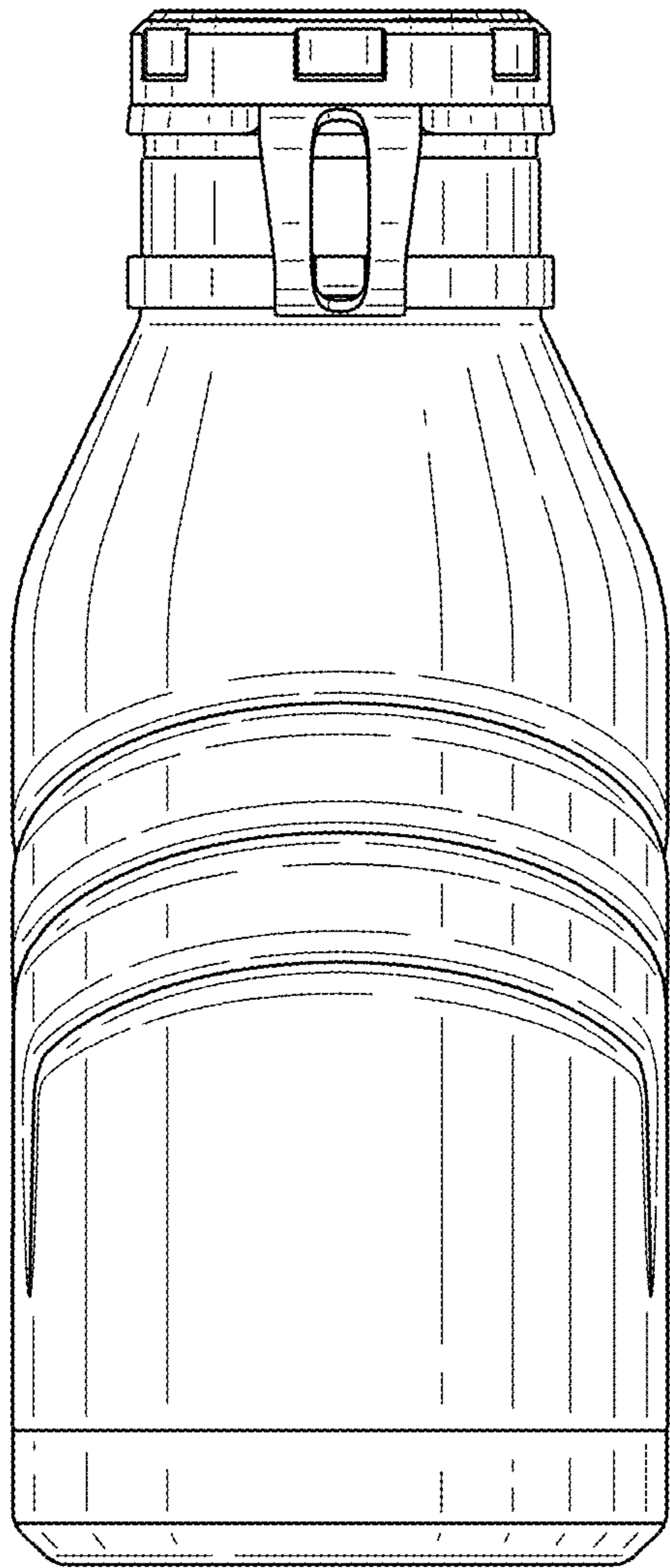


FIG. 4

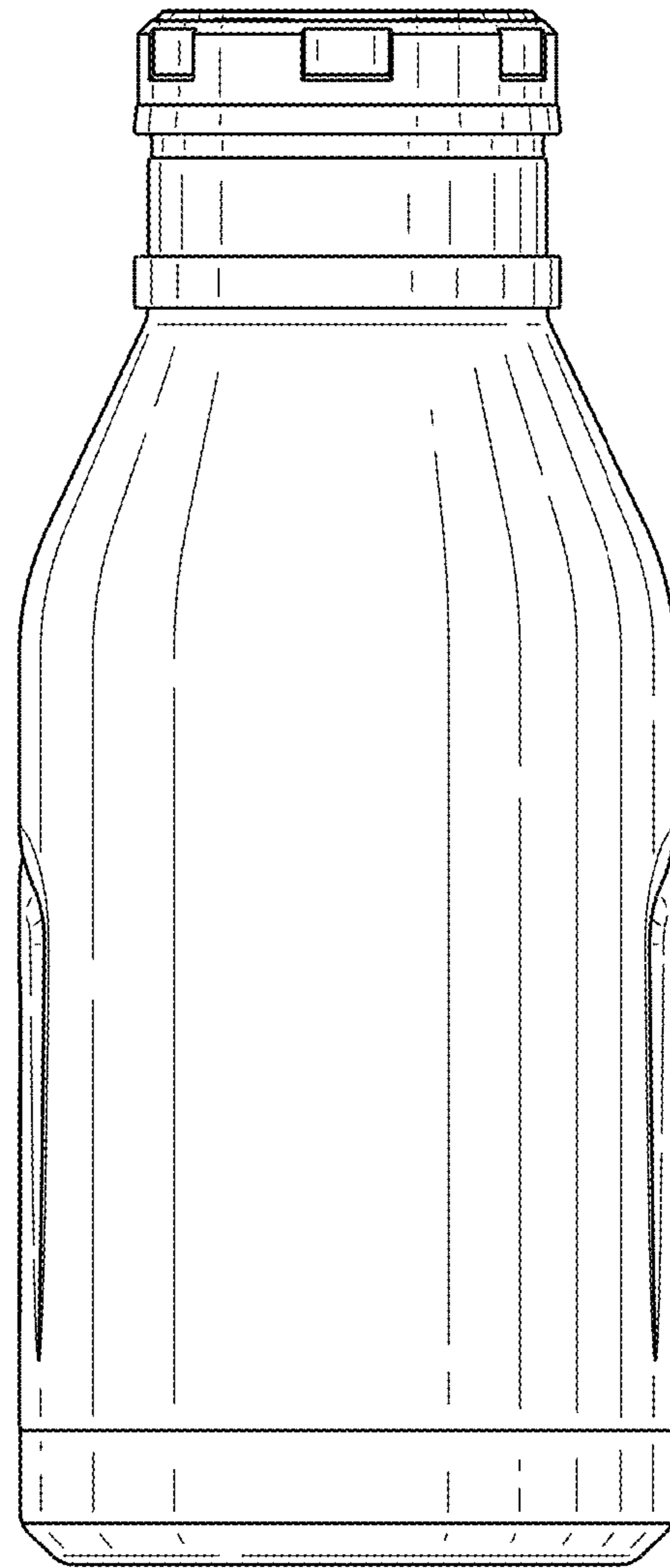


FIG. 5

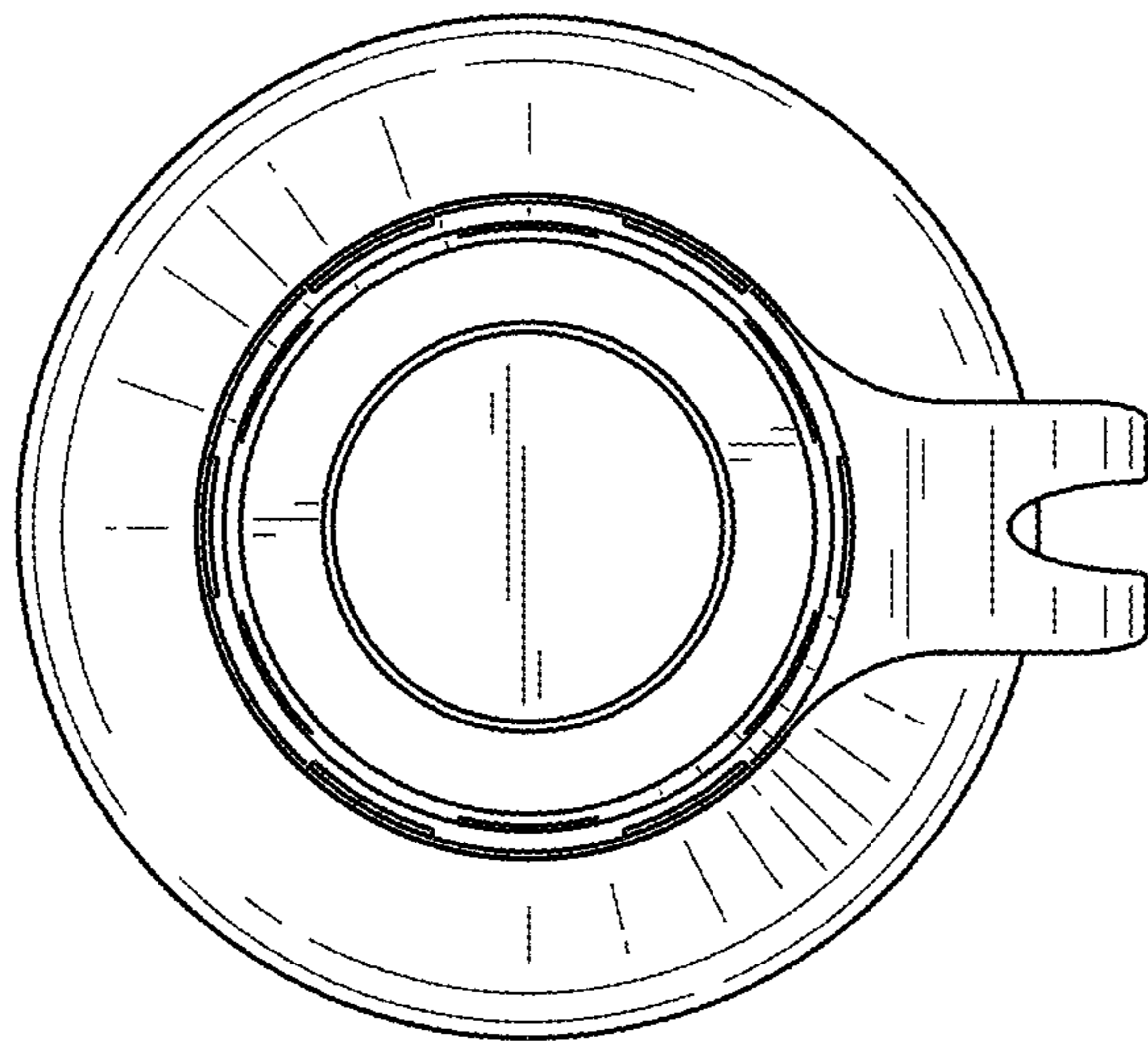


FIG. 6

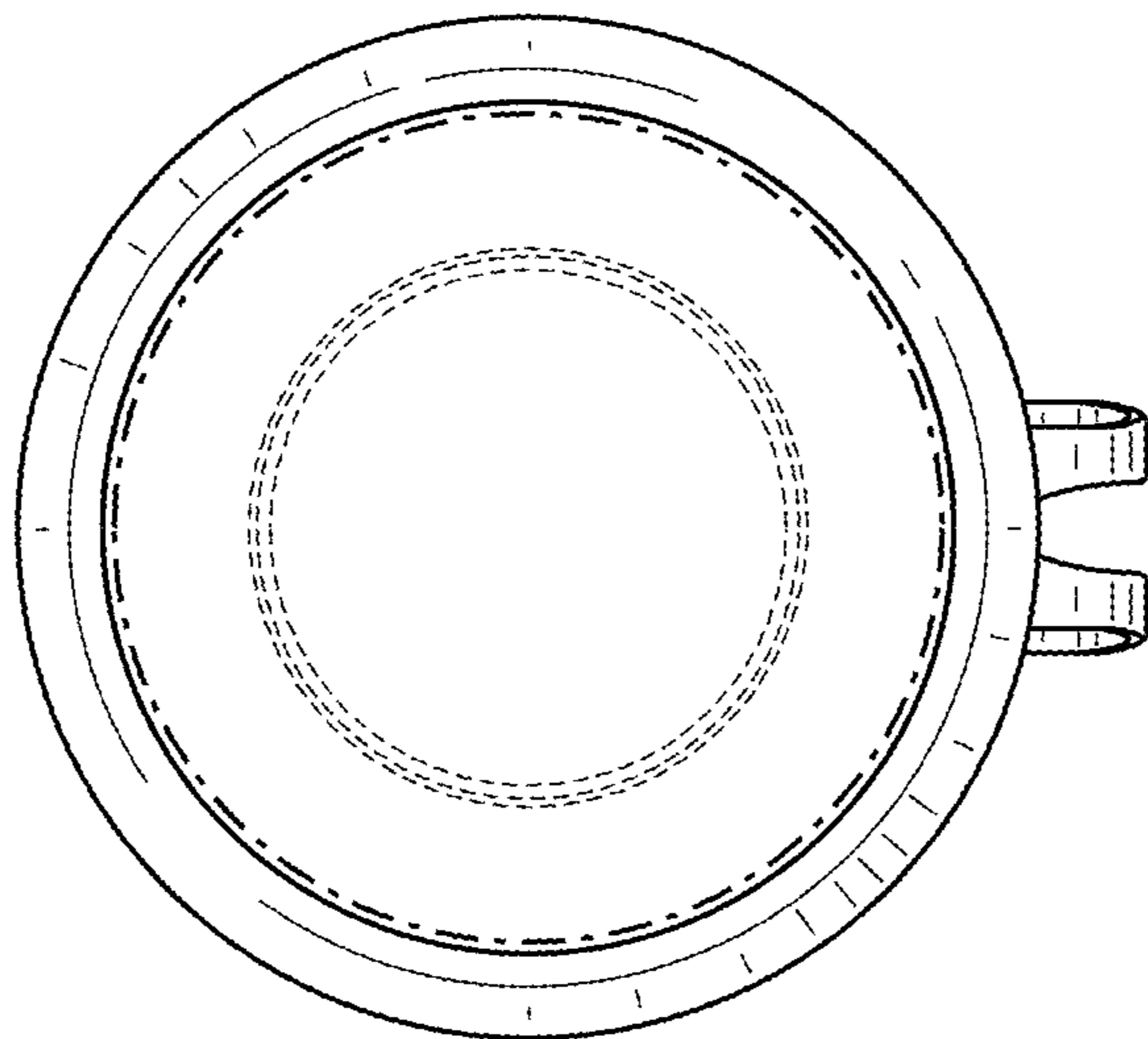


FIG. 7