



US00D774824S

(12) **United States Design Patent**
Gallagher

(10) **Patent No.:** **US D774,824 S**

(45) **Date of Patent:** **** Dec. 27, 2016**

(54) **INVERTED BOTTLE DISPENSER BASE**

(71) Applicant: **Kenneth John Gallagher**, Anaheim,
CA (US)

(72) Inventor: **Kenneth John Gallagher**, Anaheim,
CA (US)

(**) Term: **14 Years**

(21) Appl. No.: **29/523,900**

(22) Filed: **Apr. 15, 2015**

(51) **LOC (10) Cl.** **07-99**

(52) **U.S. Cl.**
USPC **D7/397**; D7/313; D7/619.1

(58) **Field of Classification Search**
USPC D7/300, 309-311, 306-308, 305, 355,
D7/362, 365, 367, 313, 397, 624.1, 619.1;
222/146.6, 185.1, 135; 99/295, 273, 304,
99/288, 279, 307, 283
CPC A47J 31/46; A47J 31/407; A47J 31/50;
A47J 31/18; A47J 31/00; A47J
27/04; A47J 31/0573; A47J 31/52
See application file for complete search history.

(56) **References Cited**

U.S. PATENT DOCUMENTS

- 2,784,577 A * 3/1957 Beaham A47G 23/0216
215/393
- 4,290,573 A * 9/1981 Shapiro A23G 9/503
248/152
- 5,143,247 A * 9/1992 Gavle A47G 23/0216
220/630

- D334,874 S * 4/1993 Mealey D7/388
- D366,391 S * 1/1996 Haley D7/387
- 6,305,817 B1 * 10/2001 Johnston A47G 23/0216
362/101
- D488,962 S * 4/2004 Catt D7/619.1
- 6,793,363 B2 * 9/2004 Jensen A47G 23/0309
362/101
- D577,550 S * 9/2008 Pertuit D7/619.1
- D640,891 S * 7/2011 Smith D7/307
- D668,903 S * 10/2012 Walton D7/306
- D677,102 S * 3/2013 Walton D7/306

* cited by examiner

Primary Examiner — Marianne Pandozzi

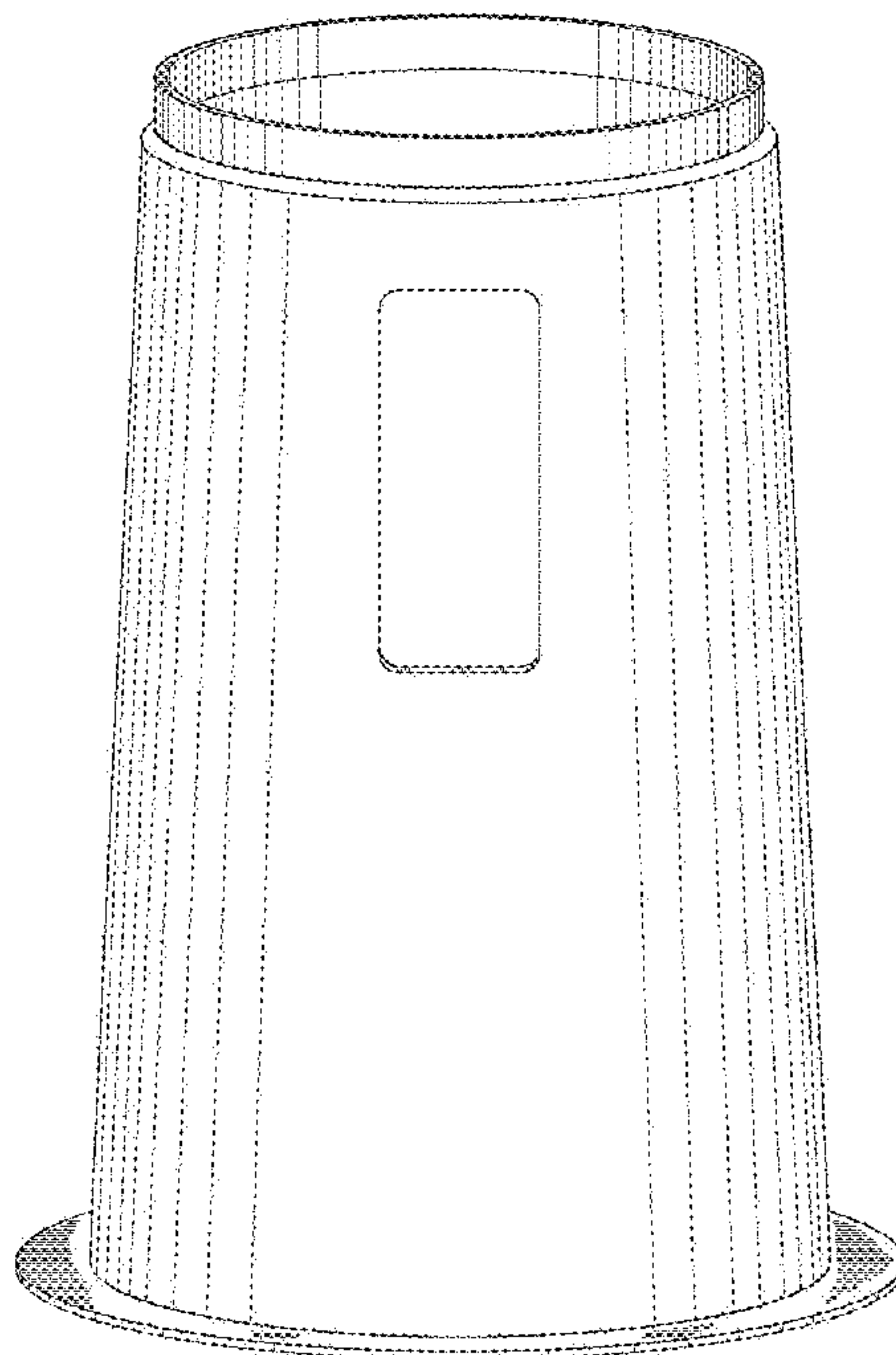
(57) **CLAIM**

The ornamental design for an inverted bottle dispenser base,
as shown.

DESCRIPTION

FIG. 1 is a front perspective view of an inverted bottle dispenser base showing my new design;
 FIG. 2 is a rear perspective view thereof;
 FIG. 3—is a front view thereof;
 FIG. 4 is a rear view thereof;
 FIG. 5—is a left side view thereof;
 FIG. 6—is a right side view thereof;
 FIG. 7—is a top view thereof;
 FIG. 8—is a bottom view thereof;
 FIG. 9 is a sectional view taken along line 9-9 of FIG. 6; and,
 FIG. 10 is an exploded front perspective view thereof.
 The broken lines in the FIG. 10 drawing depict portions of the inverted bottle dispenser base that form no part of the claimed design.

1 Claim, 9 Drawing Sheets



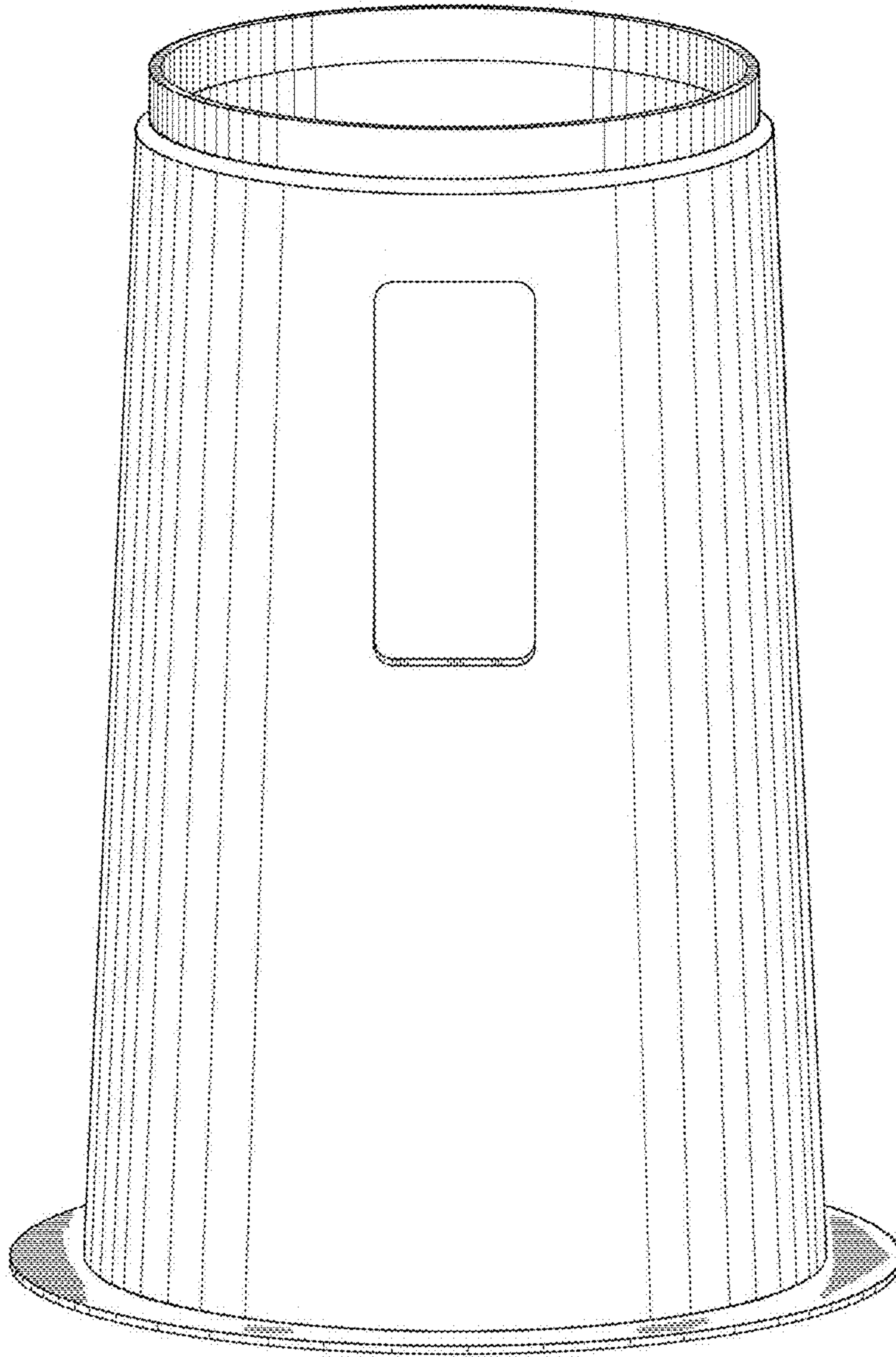


FIG. 1

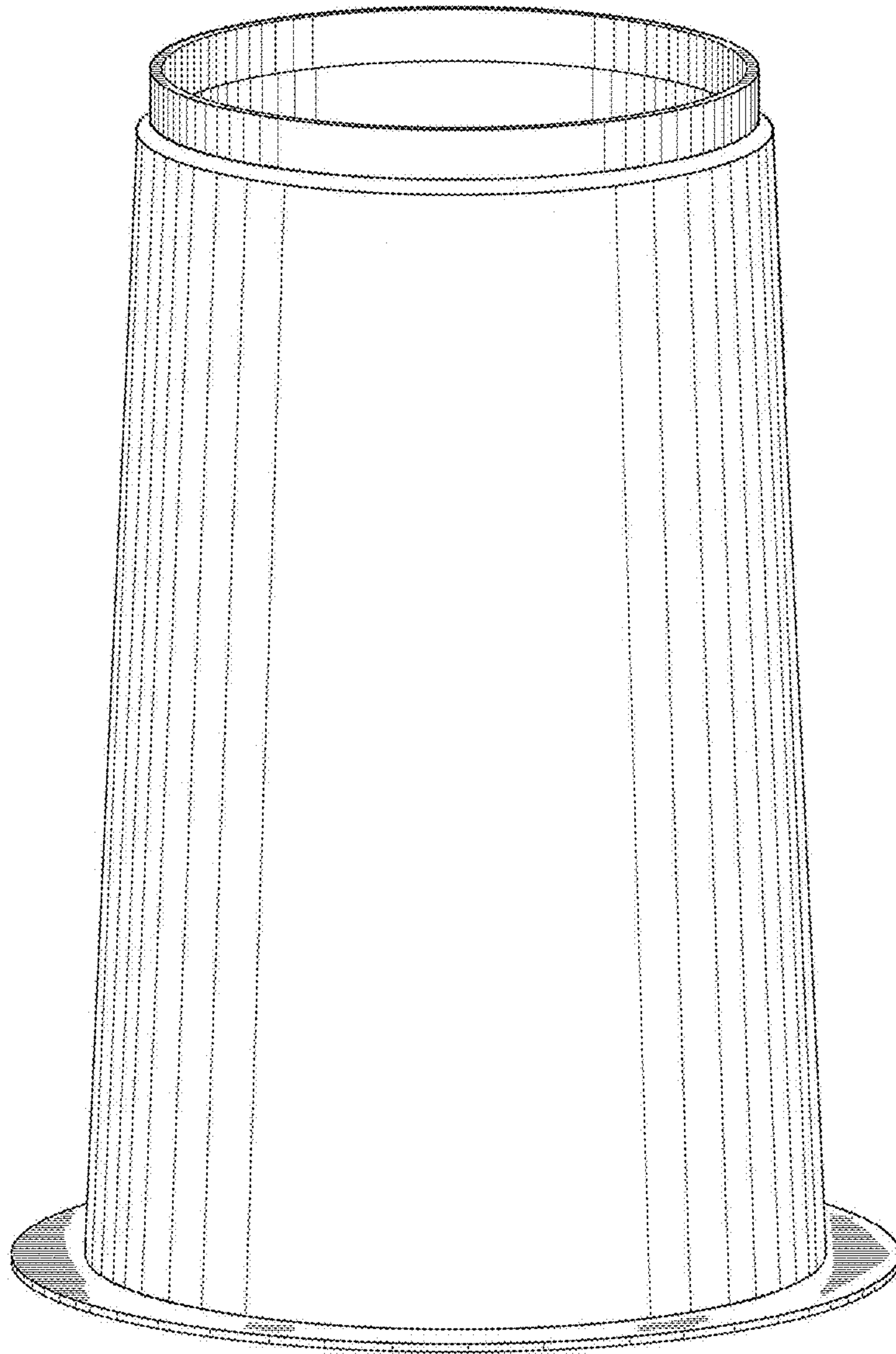


FIG. 2

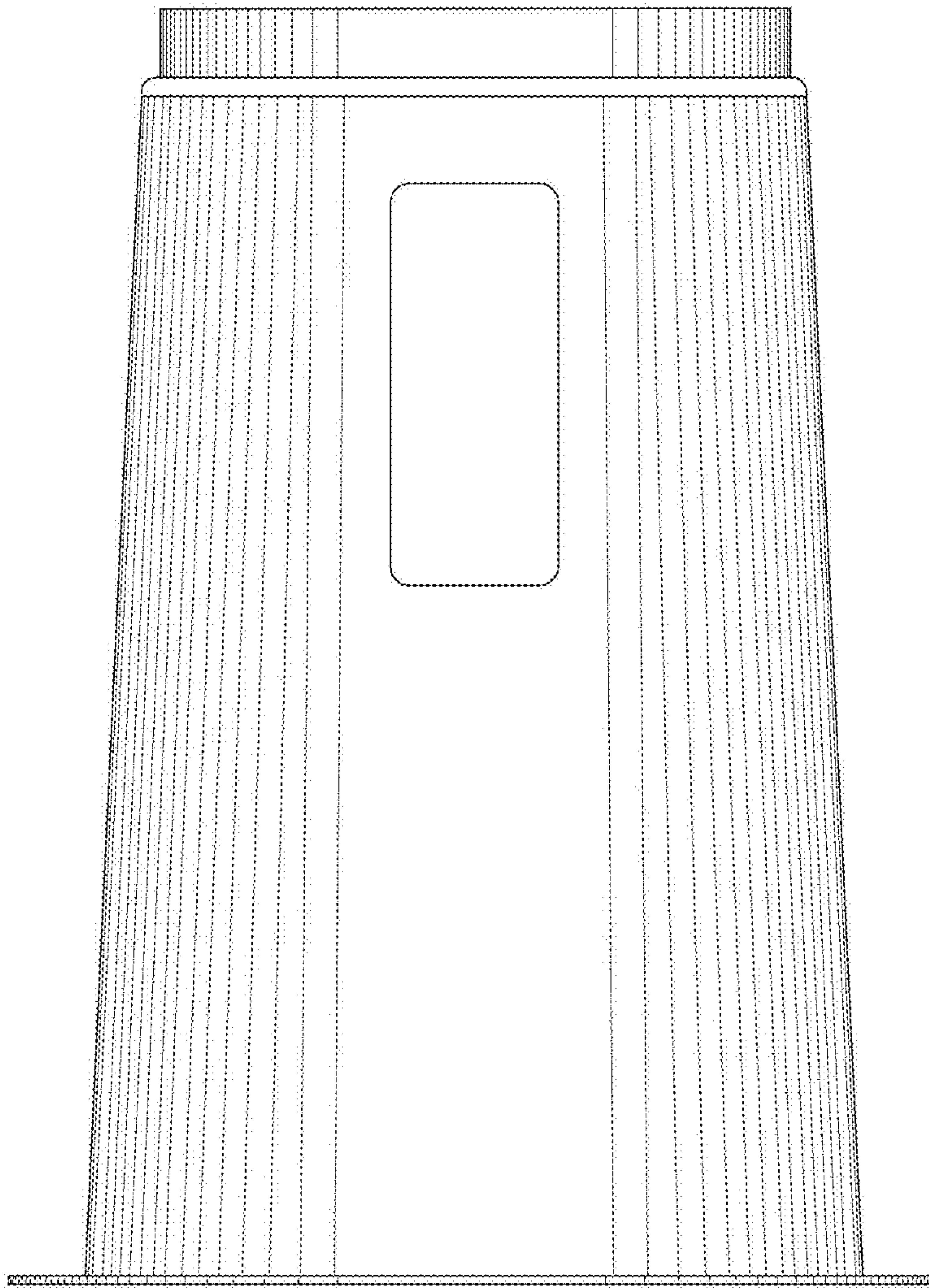


FIG. 3

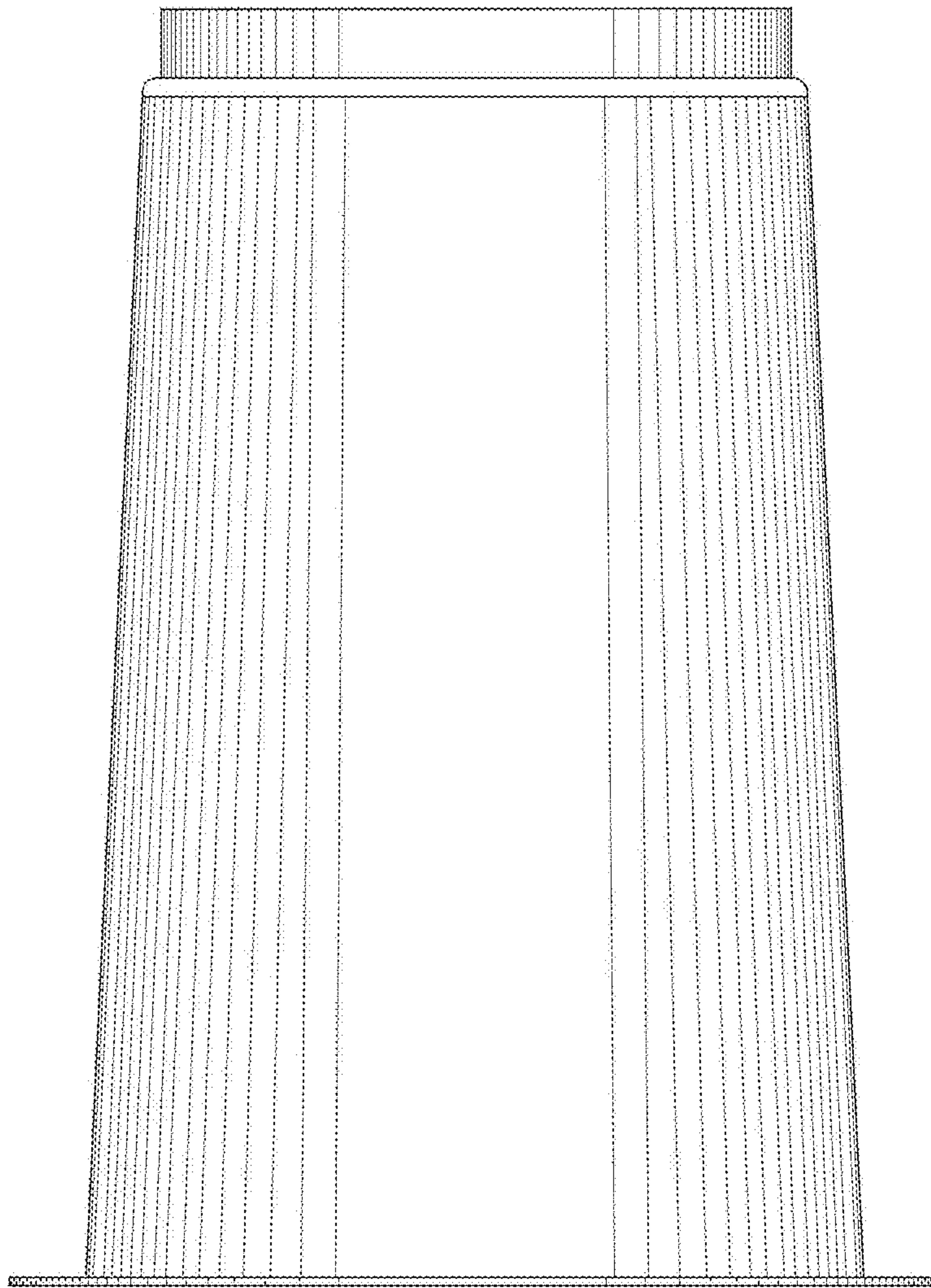


FIG. 4

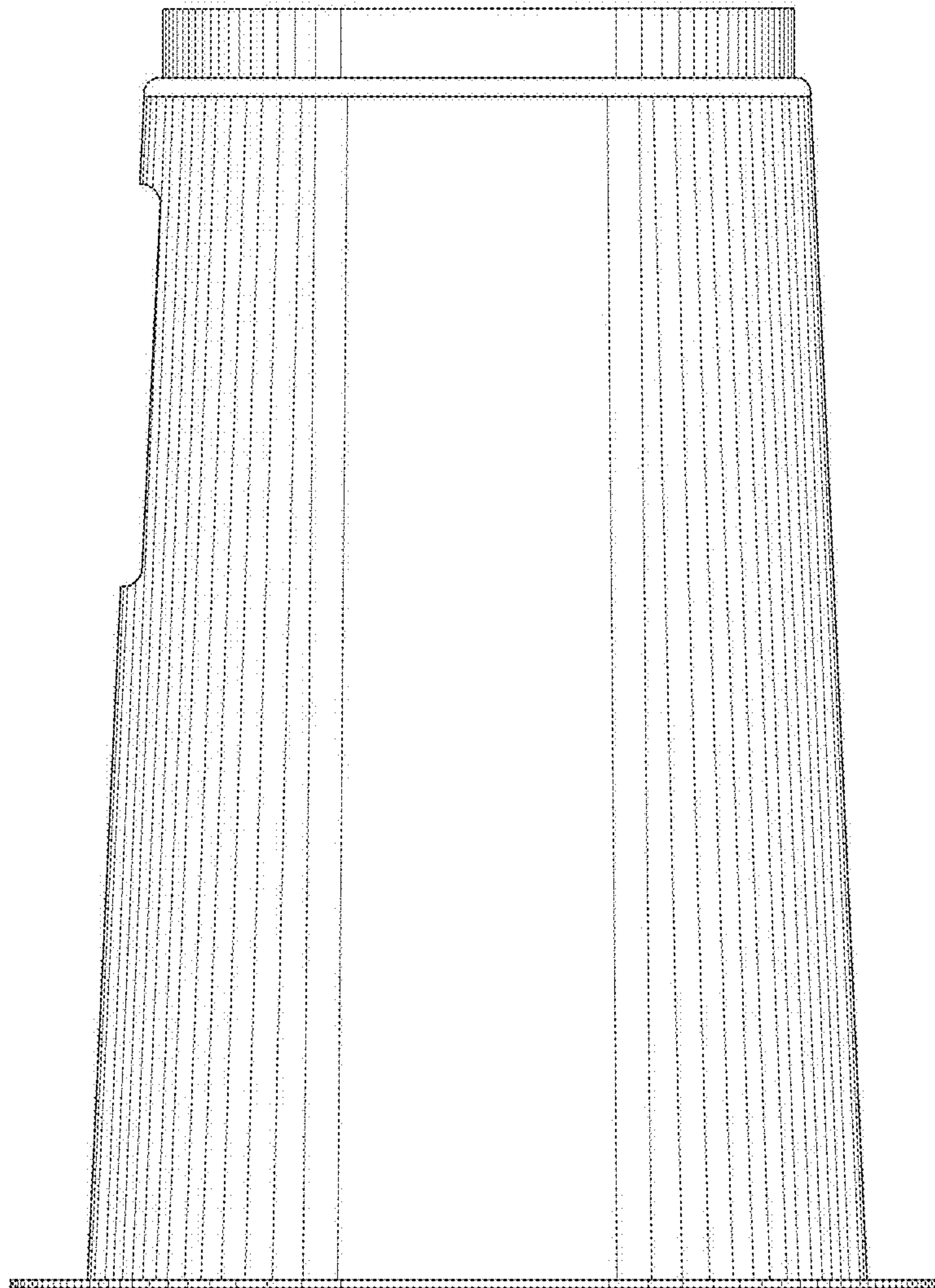


FIG. 5

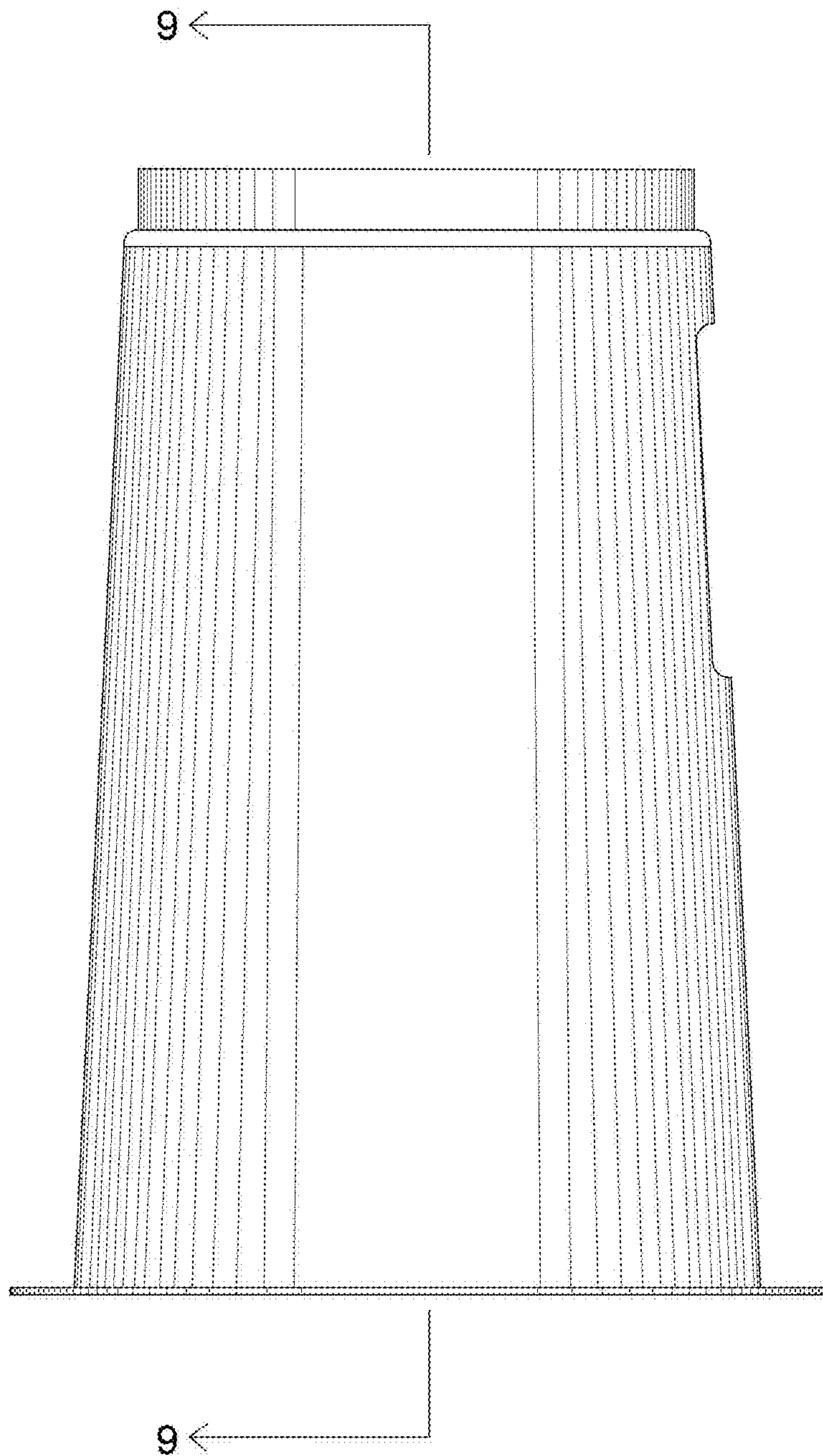


FIG. 6

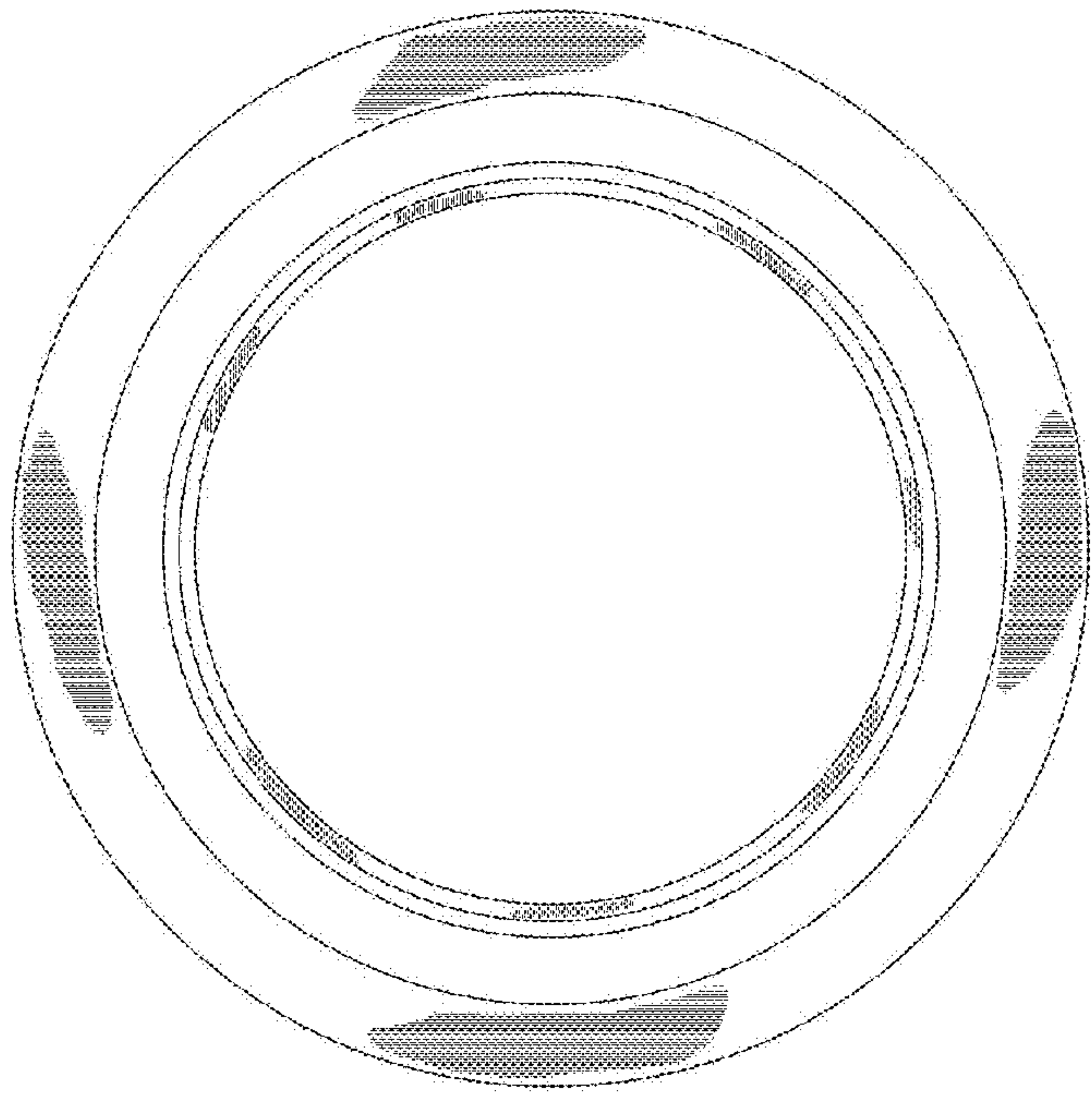


FIG. 7

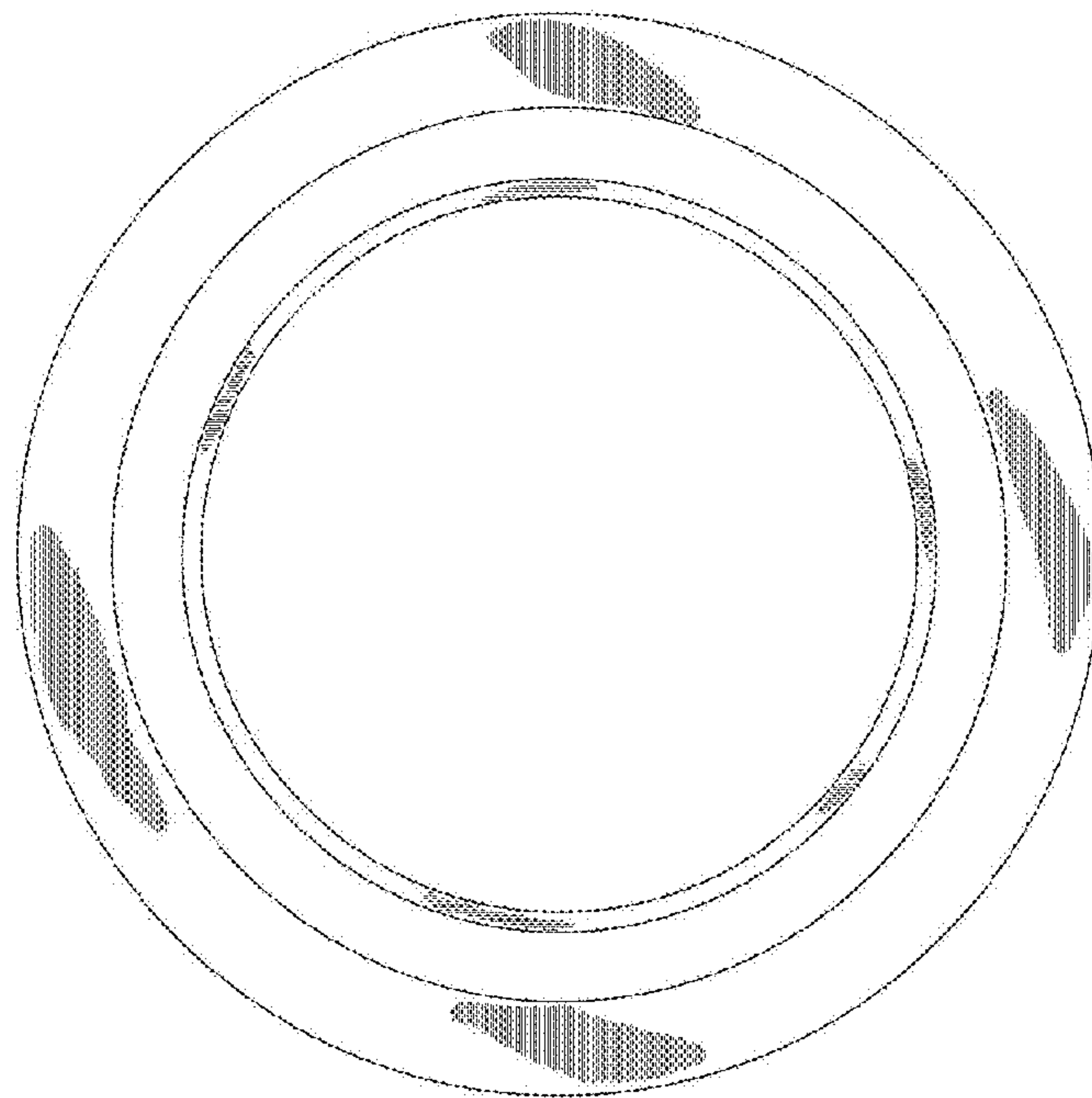


FIG. 8

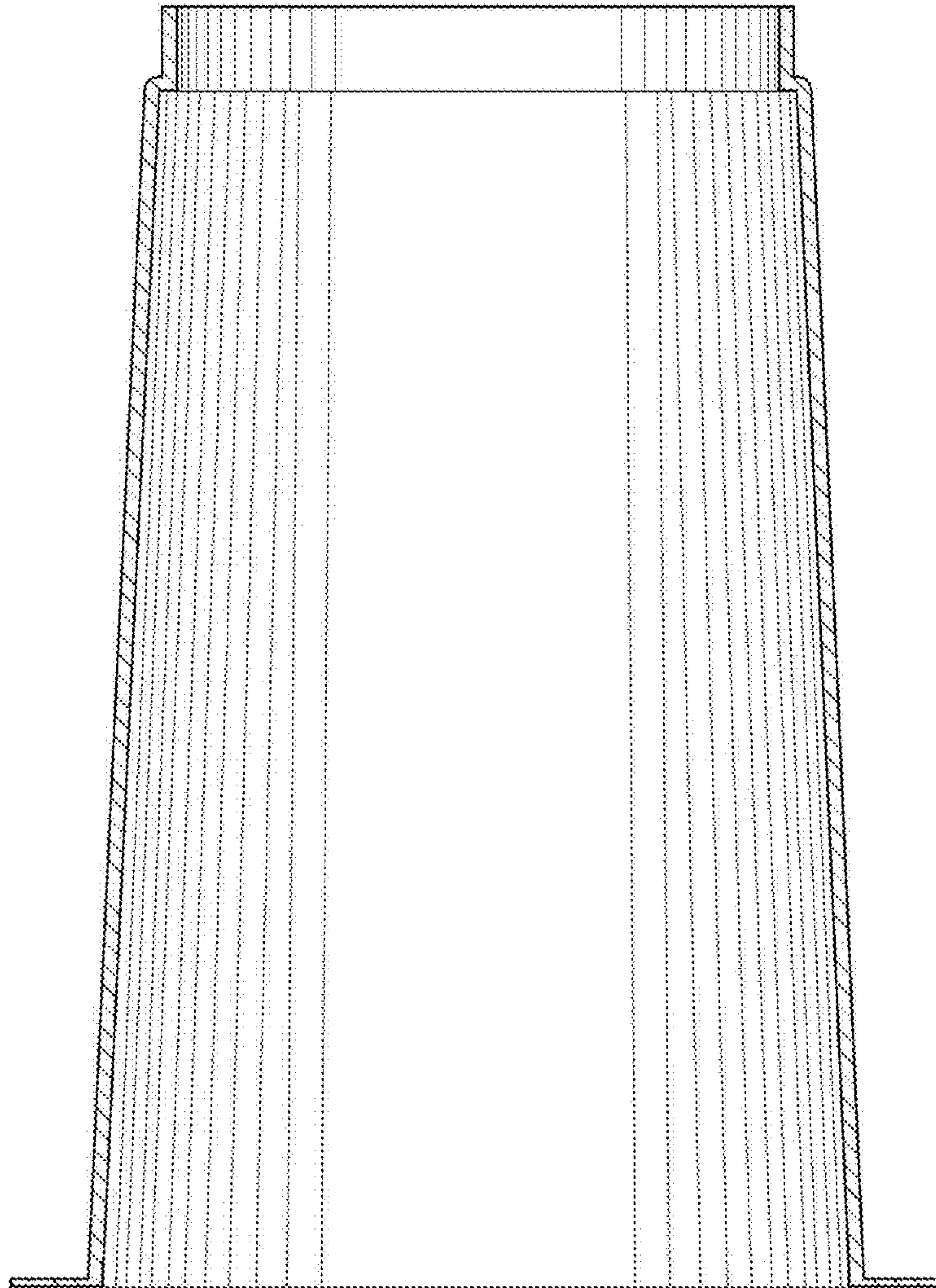


FIG. 9

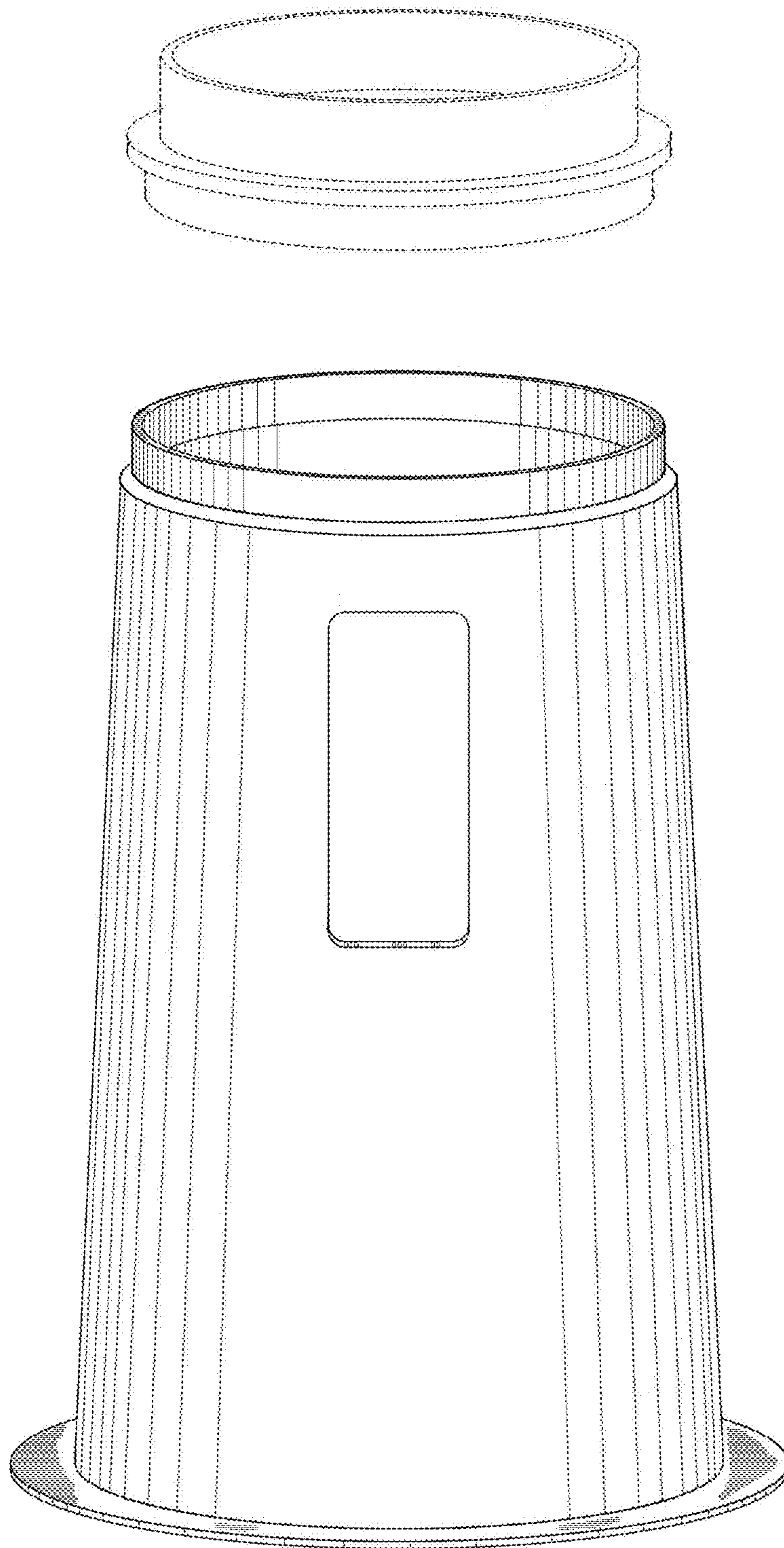


FIG. 10