



US00D774823S

(12) **United States Design Patent** (10) **Patent No.:** **US D774,823 S**  
**Broen et al.** (45) **Date of Patent:** **\*\* Dec. 27, 2016**

- (54) **DISPENSER** D406,615 S \* 3/1999 Griswold ..... D21/370  
D465,119 S \* 11/2002 Strandell ..... D7/307  
(71) Applicant: **PepsiCo, Inc.**, Purchase, NY (US) 6,684,920 B2 \* 2/2004 Seitz ..... B67D 1/0085  
141/198  
(72) Inventors: **Martin Eduardo Broen**, New York, D551,487 S \* 9/2007 Beretta ..... D7/307  
NY (US); **Christian Stolarz**, Brooklyn, D589,739 S \* 4/2009 Giugiaro ..... D7/308  
NY (US); **David Jennings Lucas**, D667,676 S \* 9/2012 Cahen ..... D7/307  
Austin, TX (US) 8,899,072 B2 \* 12/2014 Veettil ..... F25C 5/182  
222/129.1  
9,243,830 B2 \* 1/2016 Chadwell ..... B67D 1/0862

(73) Assignee: **PepsiCo, Inc.**, Purchase, NY (US)

**FOREIGN PATENT DOCUMENTS**

(\*\*) Term: **14 Years**

EM 002318725-0010 A1 1/2013  
JP 1125129 S 10/2001

(21) Appl. No.: **29/521,251**

\* cited by examiner

(22) Filed: **Mar. 20, 2015**

*Primary Examiner* — Marianne Pandozzi

(51) **LOC (10) Cl.** ..... **07-99**

(74) *Attorney, Agent, or Firm* — Sterne, Kessler,  
Goldstein & Fox P.L.L.C.

(52) **U.S. Cl.**

USPC ..... **D7/397**; D7/308; D7/307

(58) **Field of Classification Search**

(57) **CLAIM**

The ornamental design for a dispenser, as shown and described.

USPC ..... D7/300, 309–311, 306–308, 305, 397,  
D7/355, 362, 365, 367; 222/146.6, 185.1,  
222/135, 129.3, 129.1; 99/295, 273, 304,  
99/288, 279, 307, 283, 318, 300;  
D21/371, 370

**DESCRIPTION**

CPC ..... A47J 31/46; A47J 31/407; A47J 31/50;  
A47J 31/18; A47J 31/00; A47J  
27/04; A47J 31/0573; A47J 31/52; B67D  
1/0085; B67D 2001/0089; G07F 13/065  
See application file for complete search history.

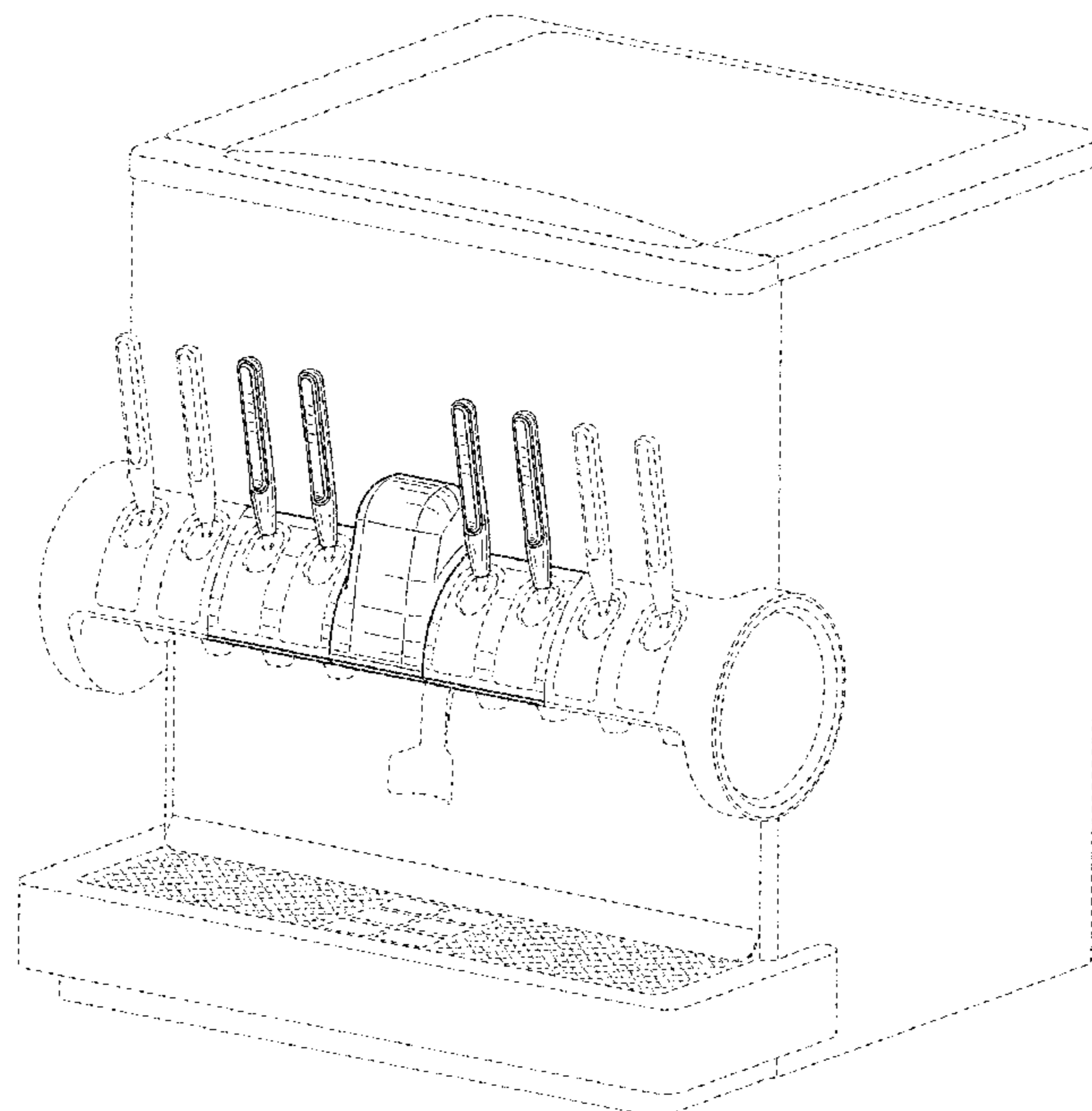
FIG. 1 is a top, front, right perspective view of a dispenser showing our new design;  
FIG. 2 is a front view thereof;  
FIG. 3 is a right side view thereof, the left side view being a mirror image thereof; and,  
FIG. 4 is a right side view thereof.  
The dashed broken lines in the drawings show portions of the dispenser that form no part of the claimed design.  
The dot-dash broken lines in the drawings show boundaries that form no part of the claimed design.

(56) **References Cited**

**U.S. PATENT DOCUMENTS**

4,570,934 A \* 2/1986 Smyth ..... G07F 17/3258  
273/138.2  
D335,062 S \* 4/1993 Kolada ..... D15/80

**1 Claim, 4 Drawing Sheets**



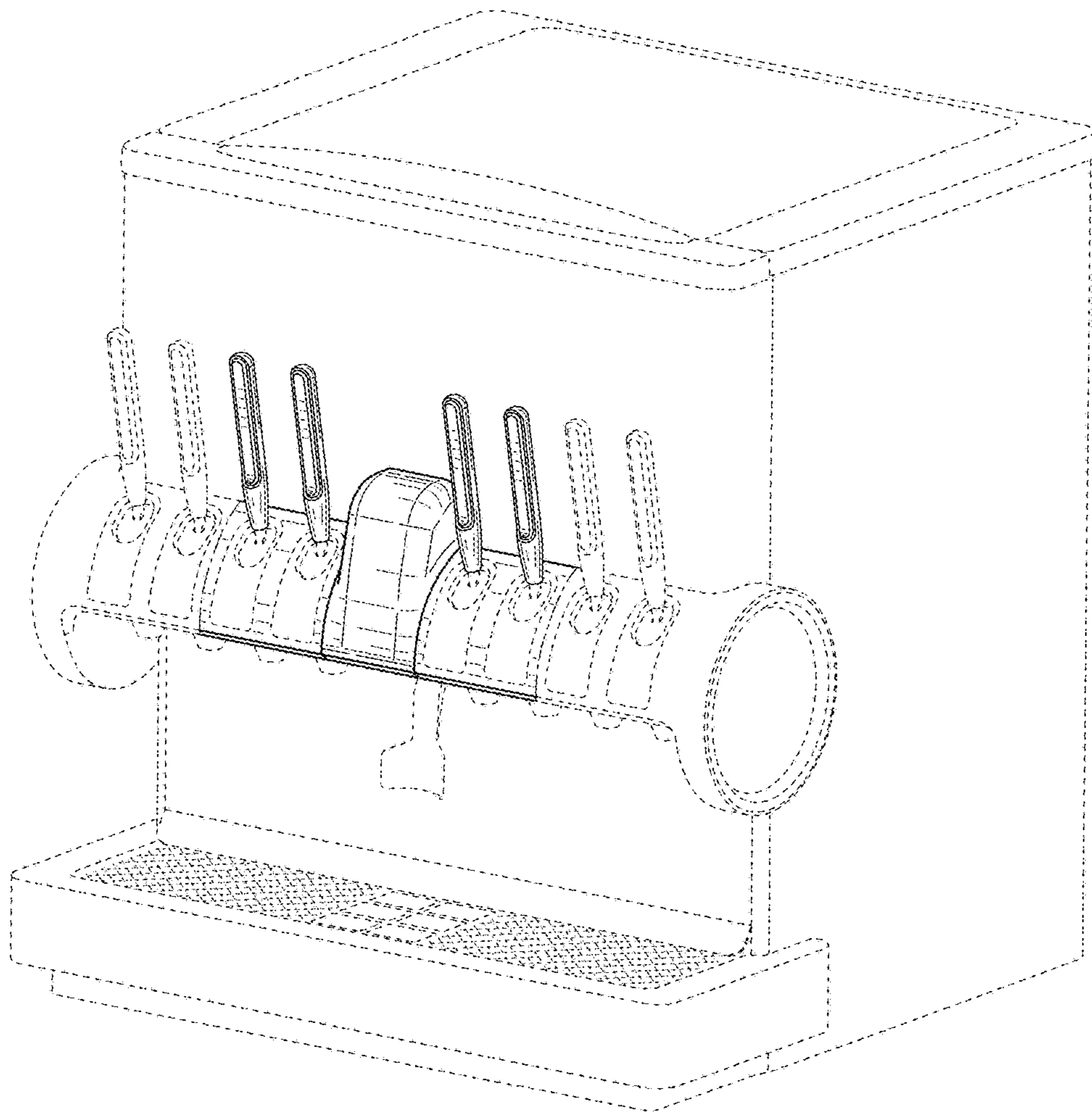


FIG. 1

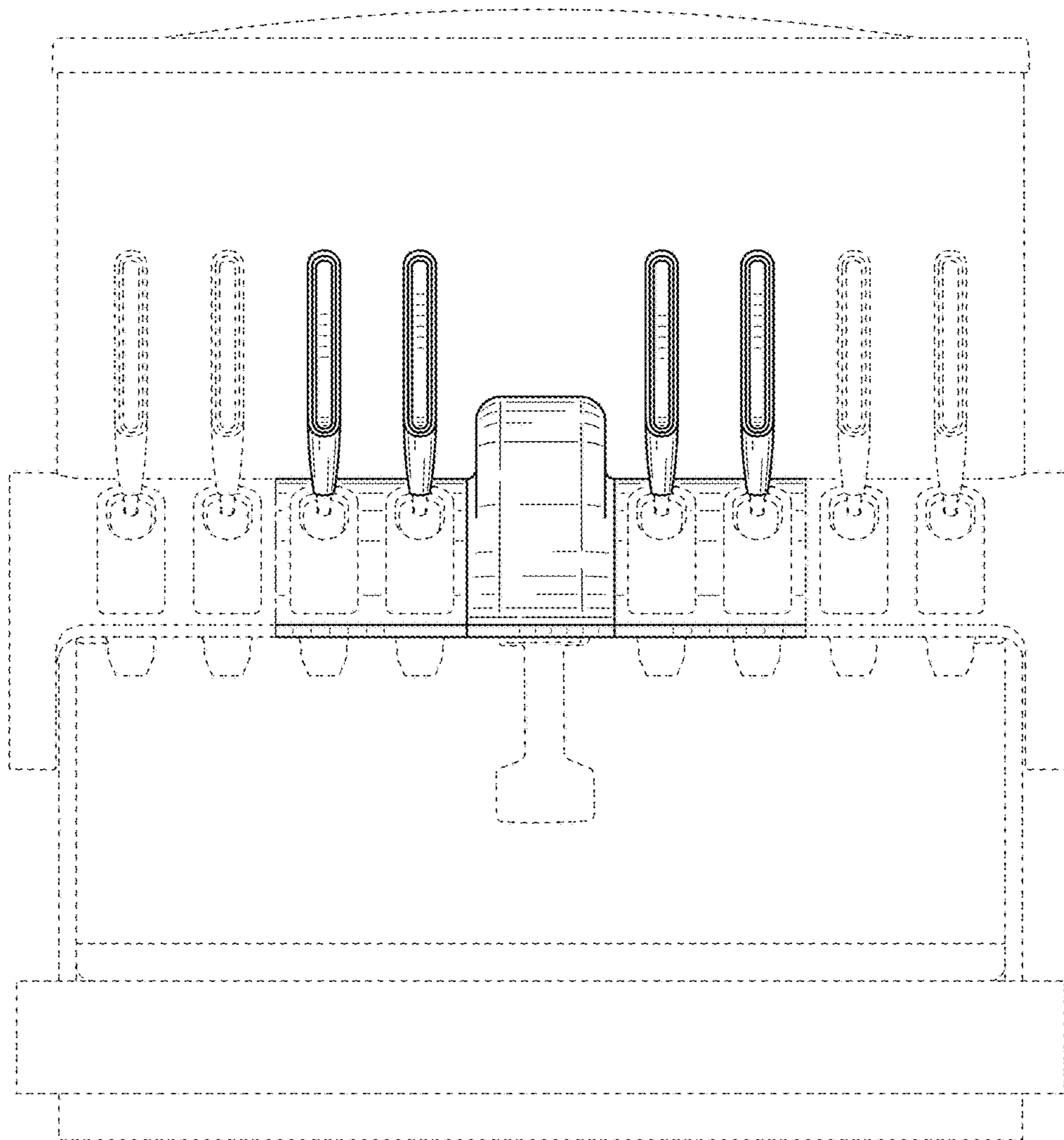


FIG. 2

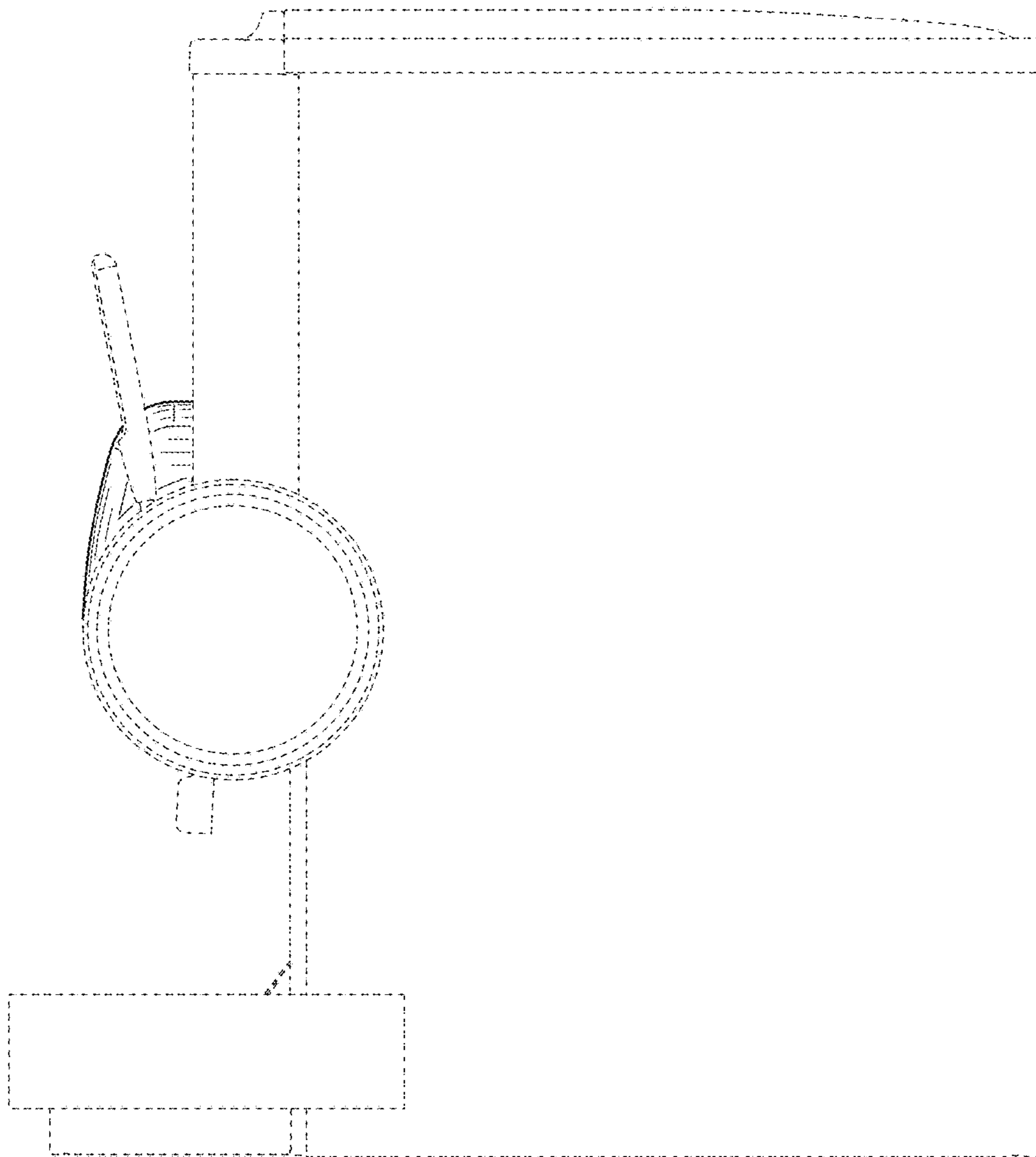


FIG. 3

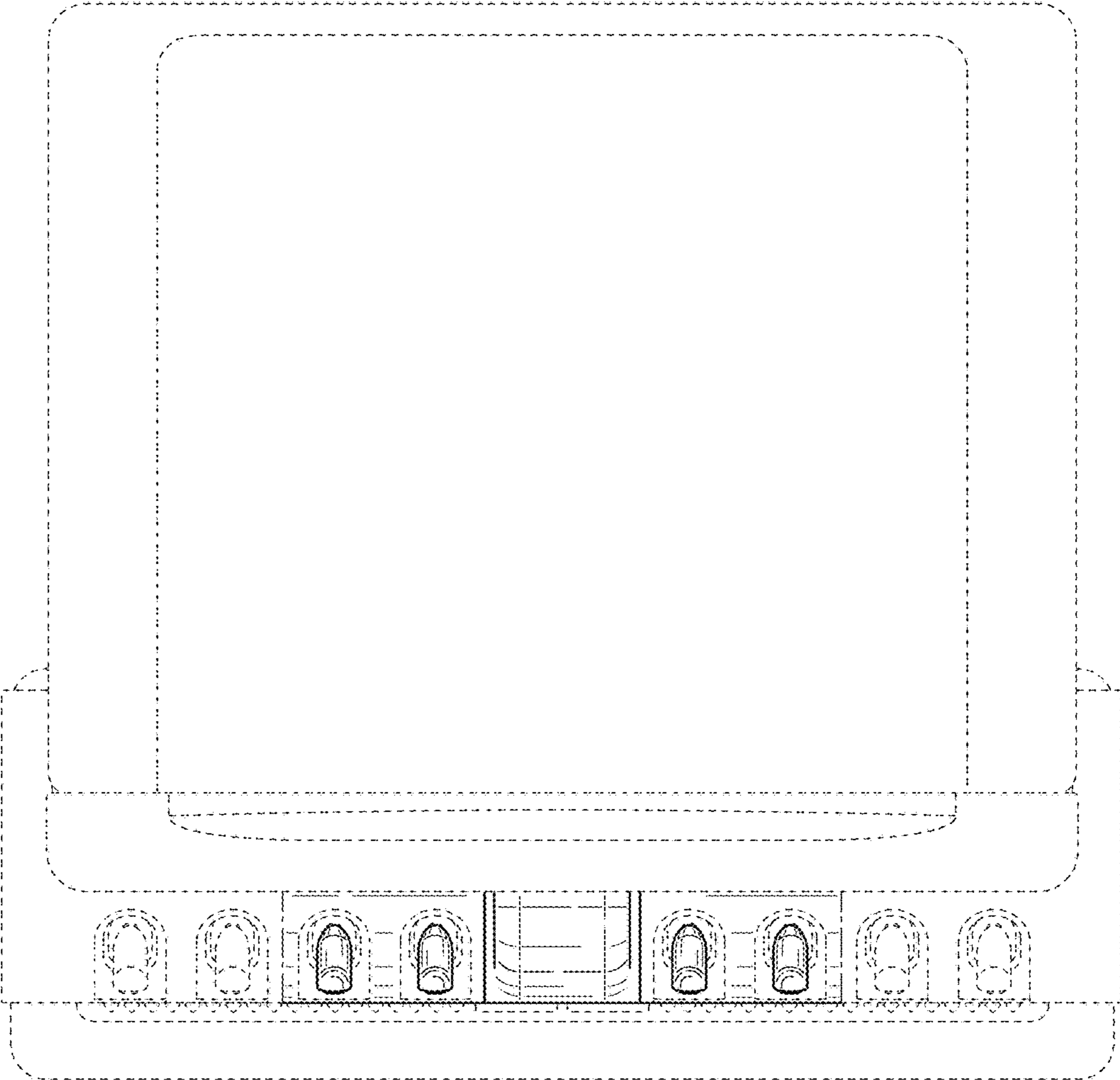


FIG. 4

UNITED STATES PATENT AND TRADEMARK OFFICE  
**CERTIFICATE OF CORRECTION**

PATENT NO. : D774,823 S  
APPLICATION NO. : 29/521251  
DATED : December 27, 2016  
INVENTOR(S) : Broen et al.

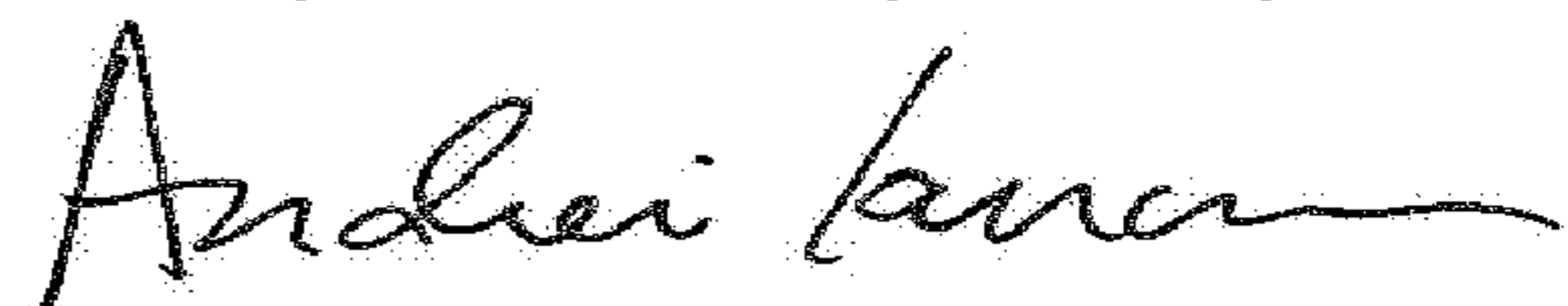
Page 1 of 1

It is certified that error appears in the above-identified patent and that said Letters Patent is hereby corrected as shown below:

On the Title Page

In the DESCRIPTION section, replace "FIG. 4 is a right view thereof." with --FIG. 4 is a top view thereof.--.

Signed and Sealed this  
Twenty-second Day of May, 2018



Andrei Iancu  
*Director of the United States Patent and Trademark Office*