



US00D774822S

(12) **United States Design Patent** (10) **Patent No.:** **US D774,822 S**
Broen et al. (45) **Date of Patent:** **** Dec. 27, 2016**

(54) **DISPENSER**
(71) Applicant: **PepsiCo, Inc.**, Purchase, NY (US)
(72) Inventors: **Martin Eduardo Broen**, New York, NY (US); **Christian Stolarz**, Brooklyn, NY (US); **David Jennings Lucas**, Austin, TX (US)

6,684,920 B2 * 2/2004 Seitz B67D 1/0085
141/198
D551,487 S * 9/2007 Beretta D7/307
D589,739 S * 4/2009 Giugiaro D7/308
D667,676 S * 9/2012 Cahen D7/307
8,899,072 B2 * 12/2014 Veettil F25C 5/182
222/129.1
9,243,830 B2 * 1/2016 Chadwell B67D 1/0862

(73) Assignee: **PepsiCo, Inc.**, Purchase, NY (US)

(**) Term: **14 Years**

(21) Appl. No.: **29/521,249**

(22) Filed: **Mar. 20, 2015**

(51) **LOC (10) Cl.** **07-99**

(52) **U.S. Cl.**
USPC **D7/397**; D7/308; D7/307

(58) **Field of Classification Search**
USPC D7/300, 309-311, 306-308, 305, 397,
D7/355, 362, 365, 367; 222/146.6, 185.1,
222/135, 129.3, 129.1; 99/295, 273, 304,
99/288, 279, 307, 283, 318, 300;
D21/371, 370
CPC A47J 31/46; A47J 31/407; A47J 31/50;
A47J 31/18; A47J 31/00; A47J
27/04; A47J 31/0573; A47J 31/52; B67D
1/0085; B67D 2001/0089; G07F 13/065
See application file for complete search history.

(56) **References Cited**

U.S. PATENT DOCUMENTS

4,570,934 A * 2/1986 Smyth G07F 17/3258
273/138.2
D335,062 S * 4/1993 Kolada D15/80
D406,615 S * 3/1999 Griswold D21/370
D465,119 S * 11/2002 Strandell D7/307

FOREIGN PATENT DOCUMENTS

EM 002318725-0010 A1 1/2013
JP 1125129 S 10/2001

* cited by examiner

Primary Examiner — Marianne Pandozzi

(74) *Attorney, Agent, or Firm* — Sterne, Kessler,
Goldstein & Fox P.L.L.C.

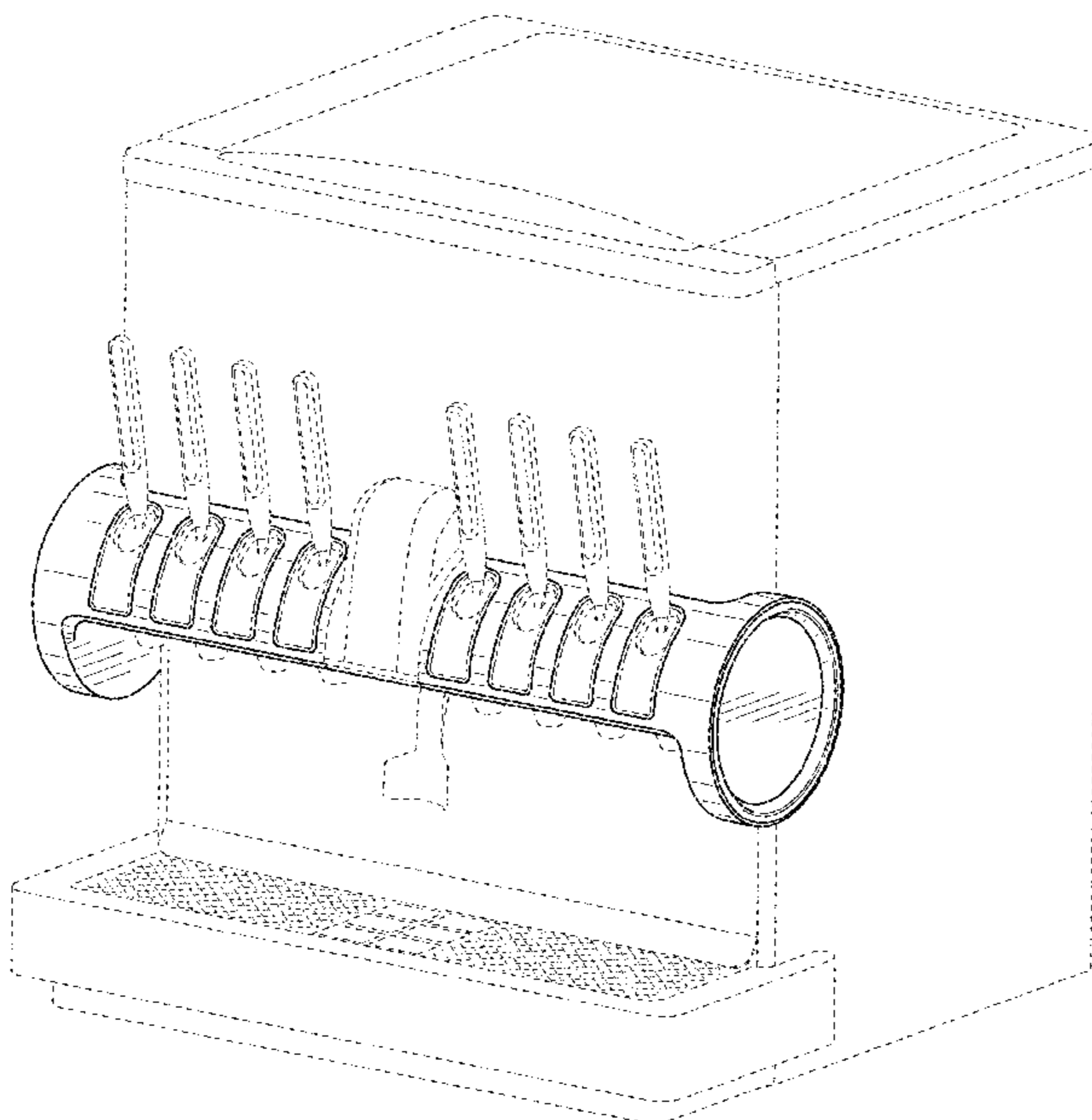
(57) **CLAIM**

The ornamental design for a dispenser, as shown and described.

DESCRIPTION

FIG. 1 is a top, front, right perspective view of a dispenser showing our new design;
FIG. 2 is a front view thereof;
FIG. 3 is a rear view thereof;
FIG. 4 is a right side view thereof, the left side view being a mirror image thereof;
FIG. 5 is a top view thereof; and,
FIG. 6 is a bottom view thereof.
The dashed broken lines in the drawings show portions of the dispenser that form no part of the claimed design.
The dot-dash broken lines in the drawings and the areas within the dot-dash lines show portions of the dispenser that form no part of the claimed design.

1 Claim, 6 Drawing Sheets



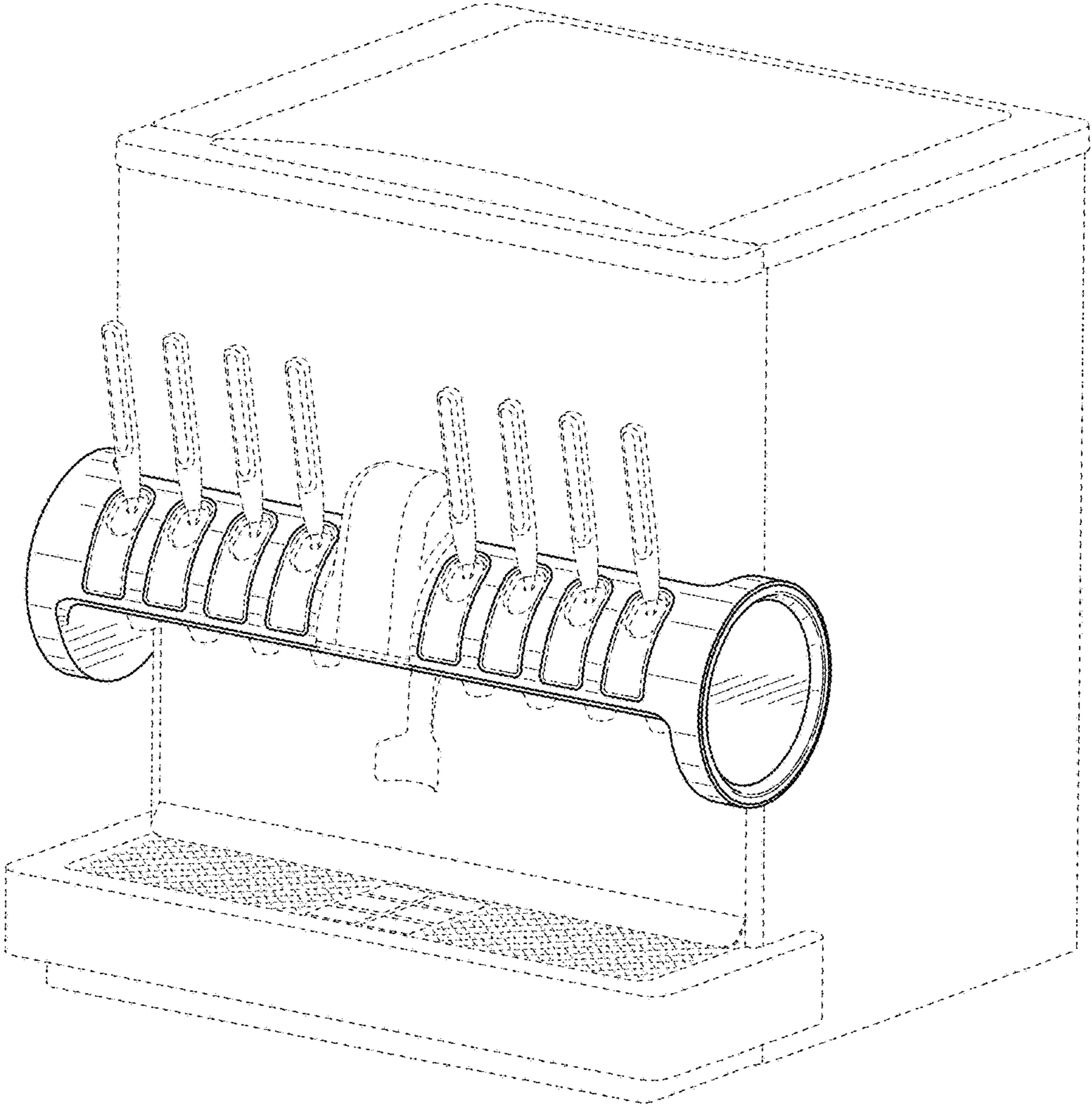


FIG. 1

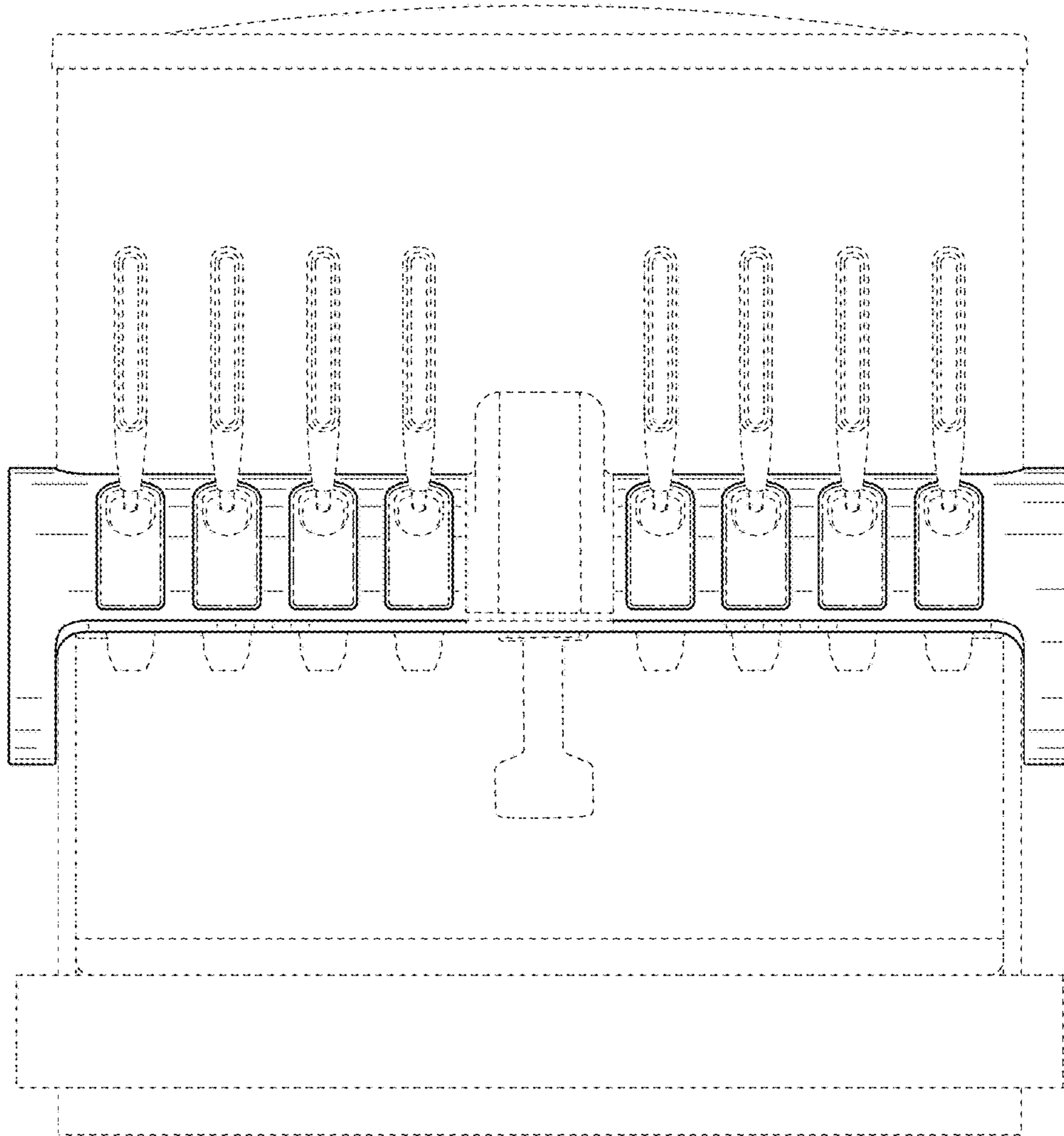


FIG. 2

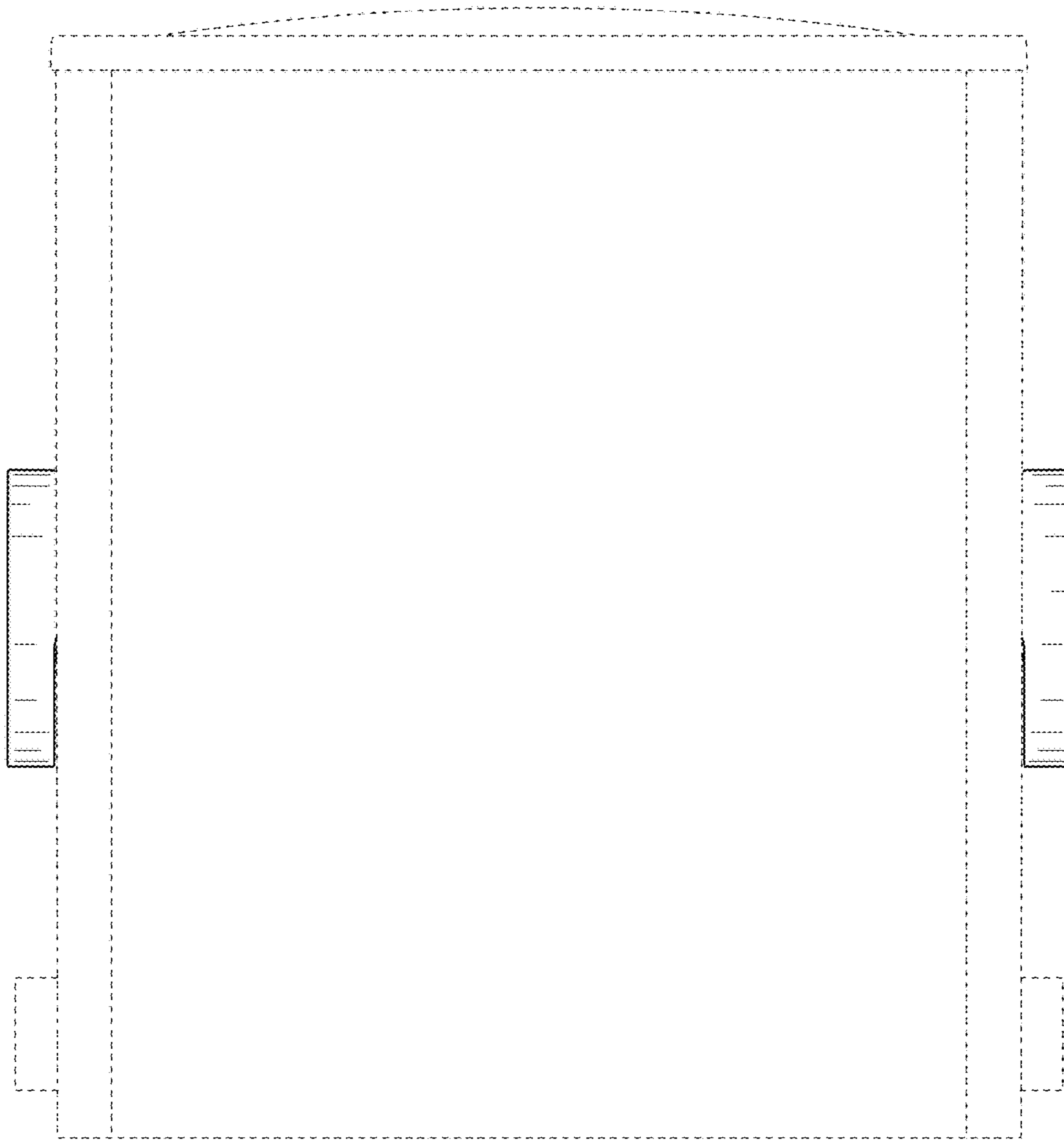


FIG. 3

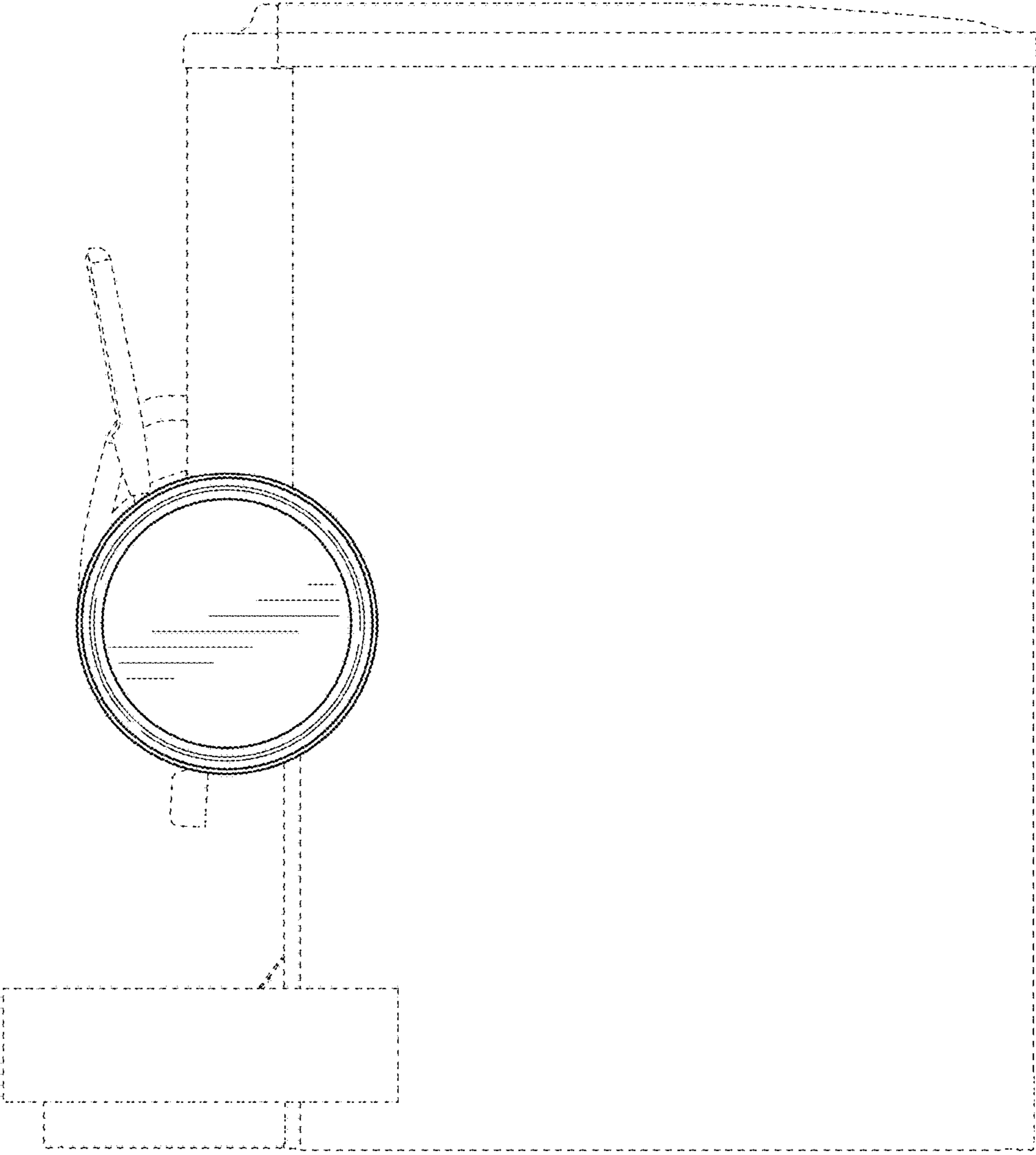


FIG. 4

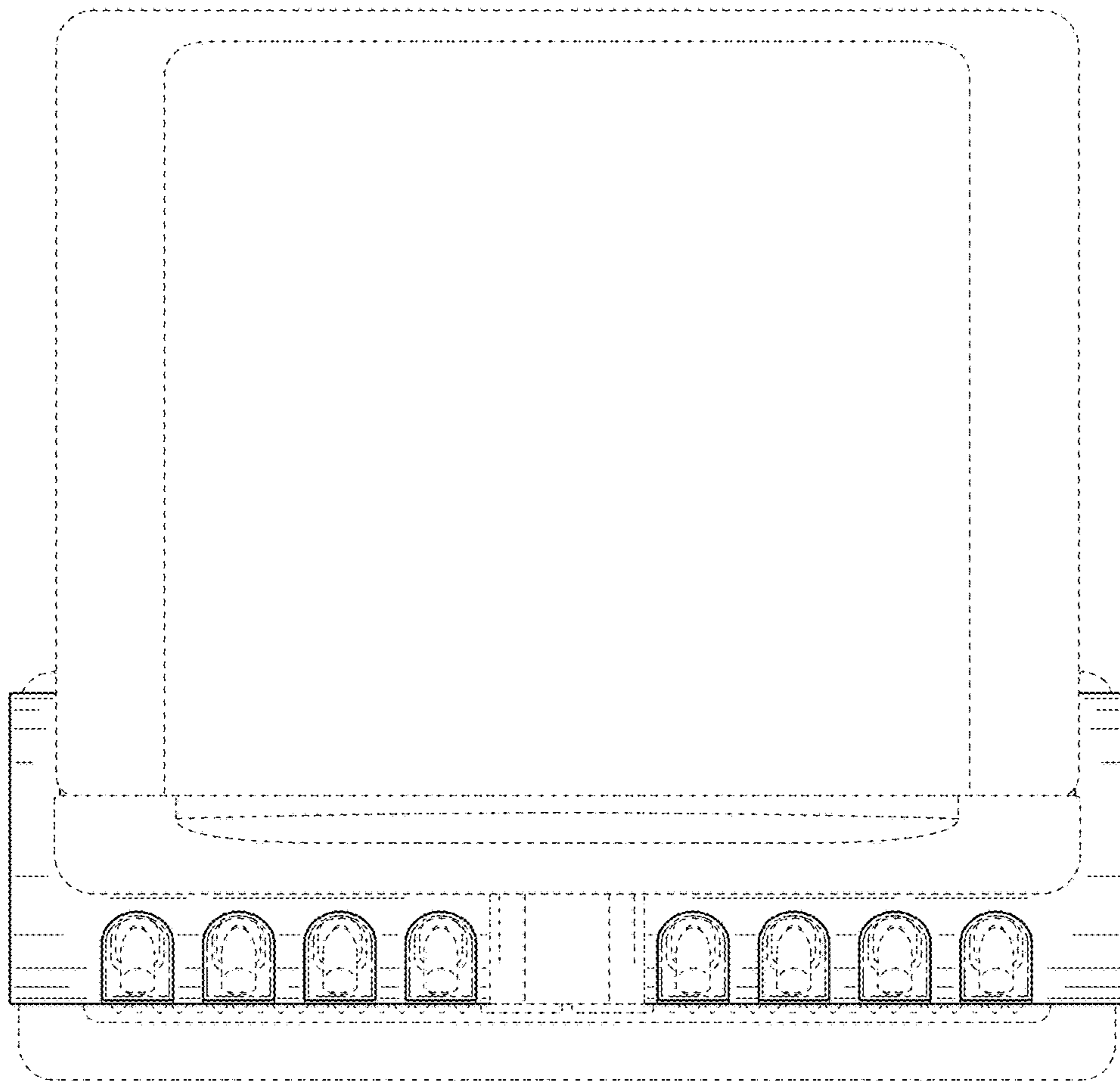


FIG. 5

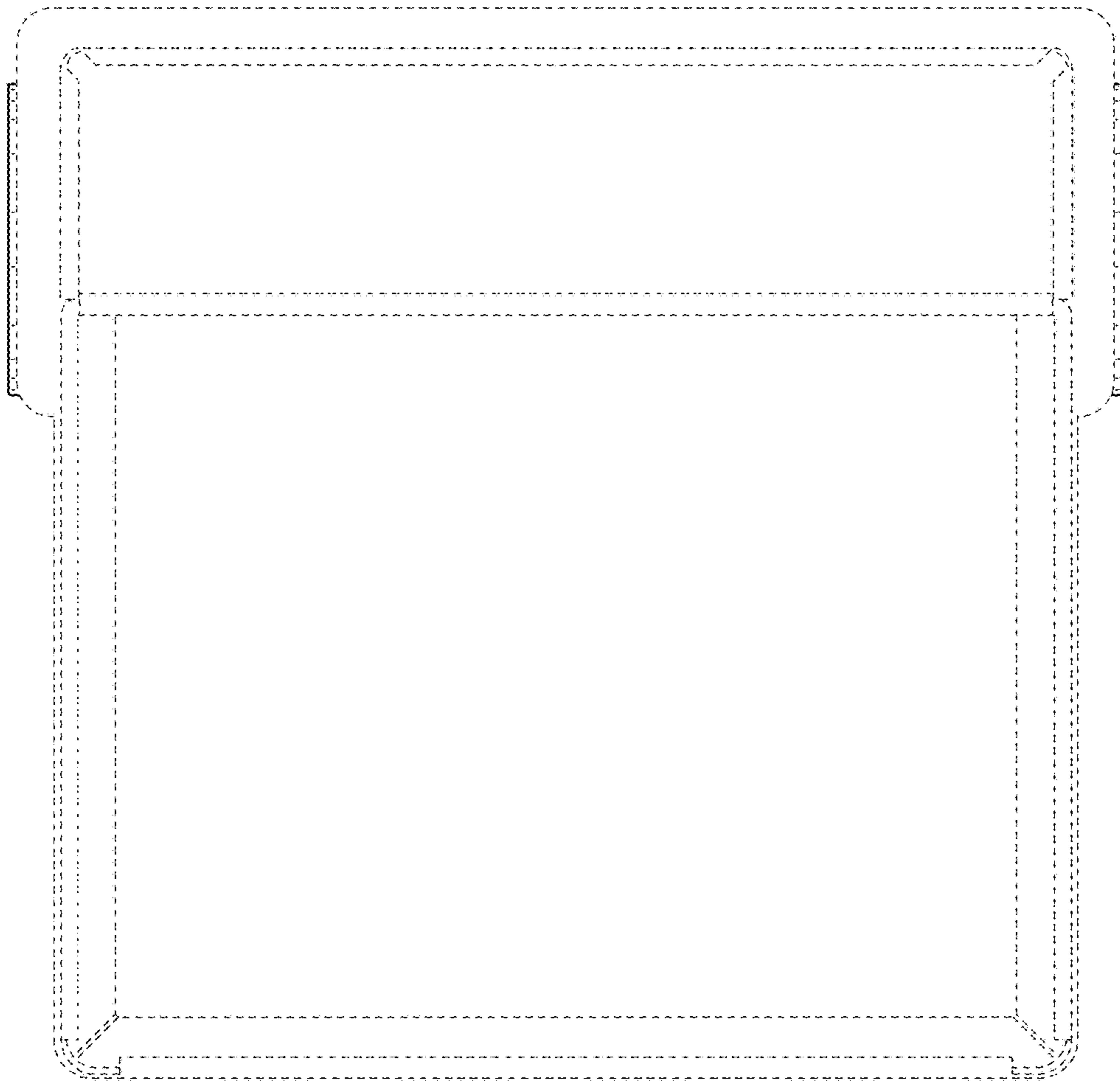


FIG. 6