

US00D774820S

(12) **United States Design Patent** (10) **Patent No.:** **US D774,820 S**
Yang (45) **Date of Patent:** **** Dec. 27, 2016**

- (54) **BEVERAGE MACHINE**
- (71) Applicant: **Ningbo Sunlight Electrical Appliance Co., Ltd.**, Ningbo, Zhejiang (CN)
- (72) Inventor: **Ningen Yang**, Ningbo (CN)
- (73) Assignee: **Ningbo Sunlight Electrical Appliance Co., Ltd.**, Zhejiang (CN)
- (**) Term: **14 Years**
- (21) Appl. No.: **29/526,352**
- (22) Filed: **May 8, 2015**
- (51) **LOC (10) Cl.** **07-01**
- (52) **U.S. Cl.**
USPC **D7/306; D7/311**
- (58) **Field of Classification Search**
USPC D7/300, 309-311, 306-308, 305, 355, D7/362, 365, 367; 222/146.6, 185.1, 135; 99/295, 273, 304, 288, 279, 307, 283
CPC A47J 31/46; A47J 31/407; A47J 31/50; A47J 31/18; A47J 31/00; A47J 27/04; A47J 31/0573; A47J 31/52; A47J 31/057
See application file for complete search history.

D728,295 S * 5/2015 De'Longhi D7/309
D732,331 S * 6/2015 Tomasson D7/306
D734,635 S * 7/2015 Behar D7/306

FOREIGN PATENT DOCUMENTS

CN 303072452 1/2015

OTHER PUBLICATIONS

Declaration of Yidong Hu dated Jul. 19, 2016.

* cited by examiner

Primary Examiner — Marianne Pandozzi
(74) *Attorney, Agent, or Firm* — Wood Herron & Evans LLP

(57) **CLAIM**

The ornamental design for a beverage machine, as shown and described.

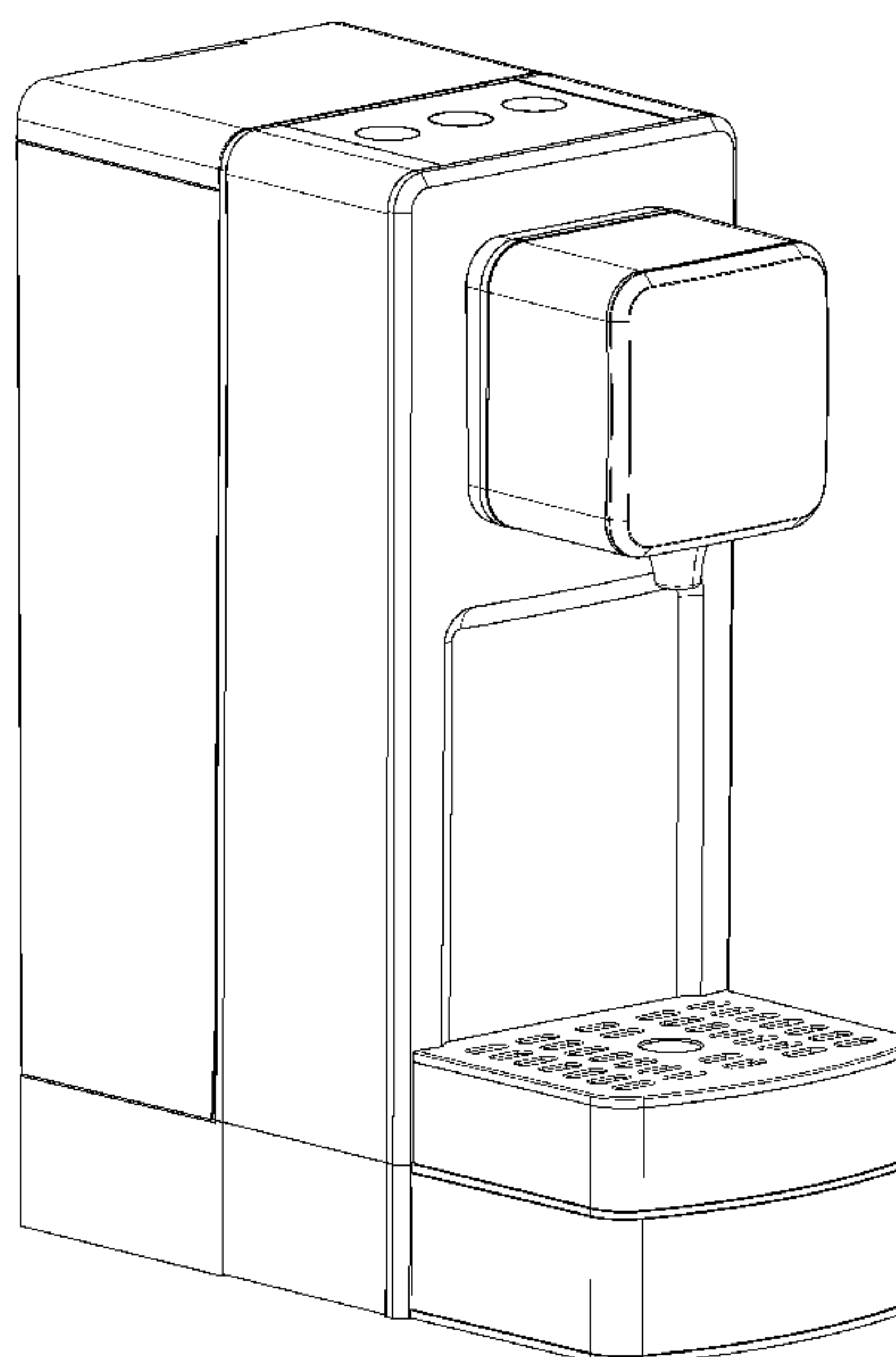
DESCRIPTION

FIG. 1 is a front left perspective view of my new, original and ornamental design;
FIG. 2 is a front elevational view thereof;
FIG. 3 is a right side elevational view thereof;
FIG. 4 is a rear elevational view thereof;
FIG. 5 is a left side elevational view thereof;
FIG. 6 is a top plan view thereof; and,
FIG. 7 is a bottom plan view thereof.
The broken lines in the drawing depict portions of the beverage machine that form no part of the claimed design.

1 Claim, 7 Drawing Sheets

(56) **References Cited**
U.S. PATENT DOCUMENTS

D274,029 S * 5/1984 Daugherty D7/309
4,464,981 A * 8/1984 Stover A47J 31/057
99/280
D309,843 S * 8/1990 Reichmann D7/309
D595,991 S * 7/2009 Zimmerman D7/307
D718,414 S * 11/2014 Lo D23/207
D724,883 S * 3/2015 Lamb D7/306



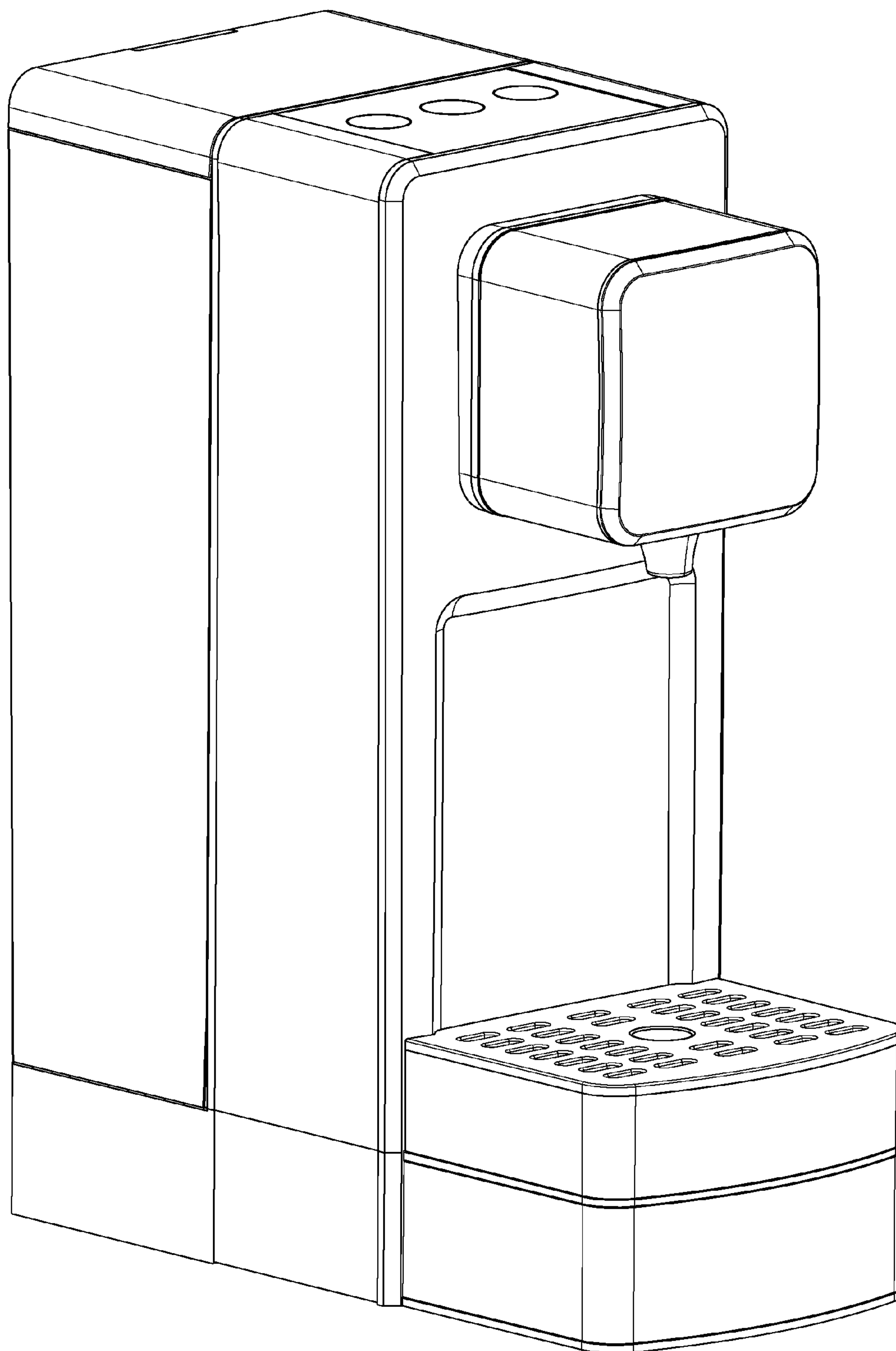


FIG. 1

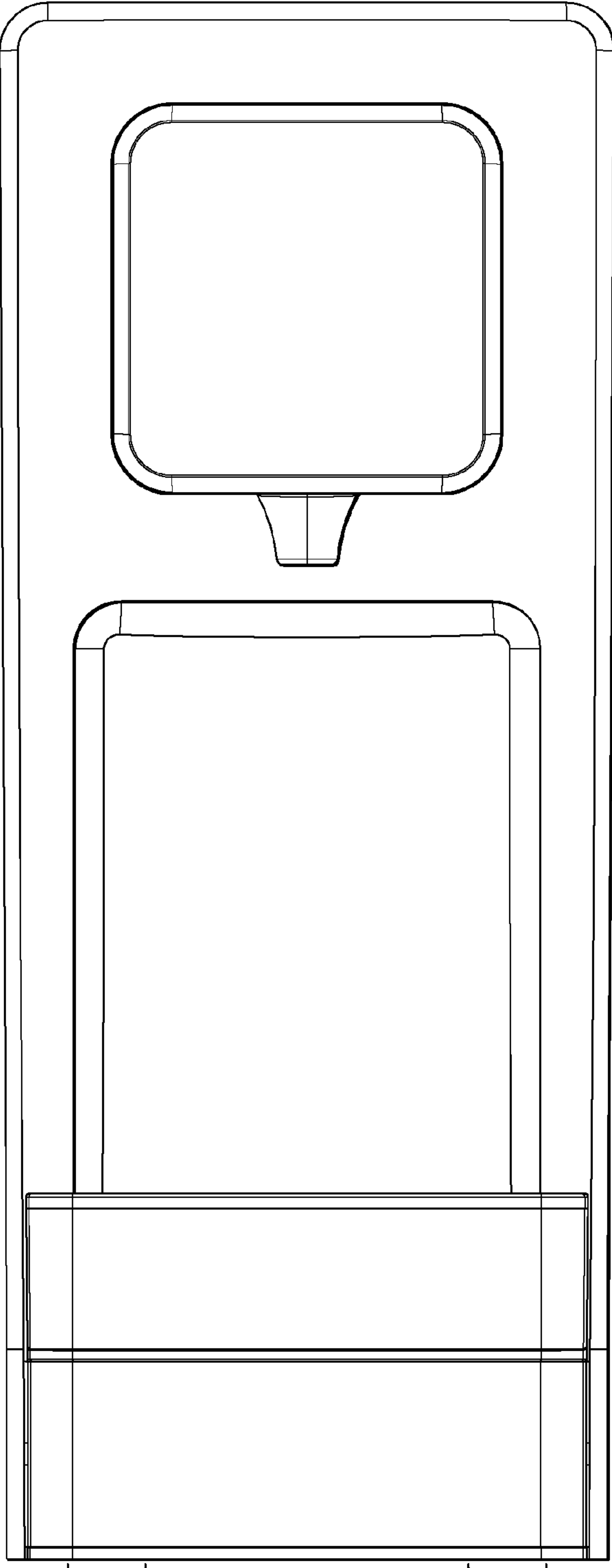


FIG. 2

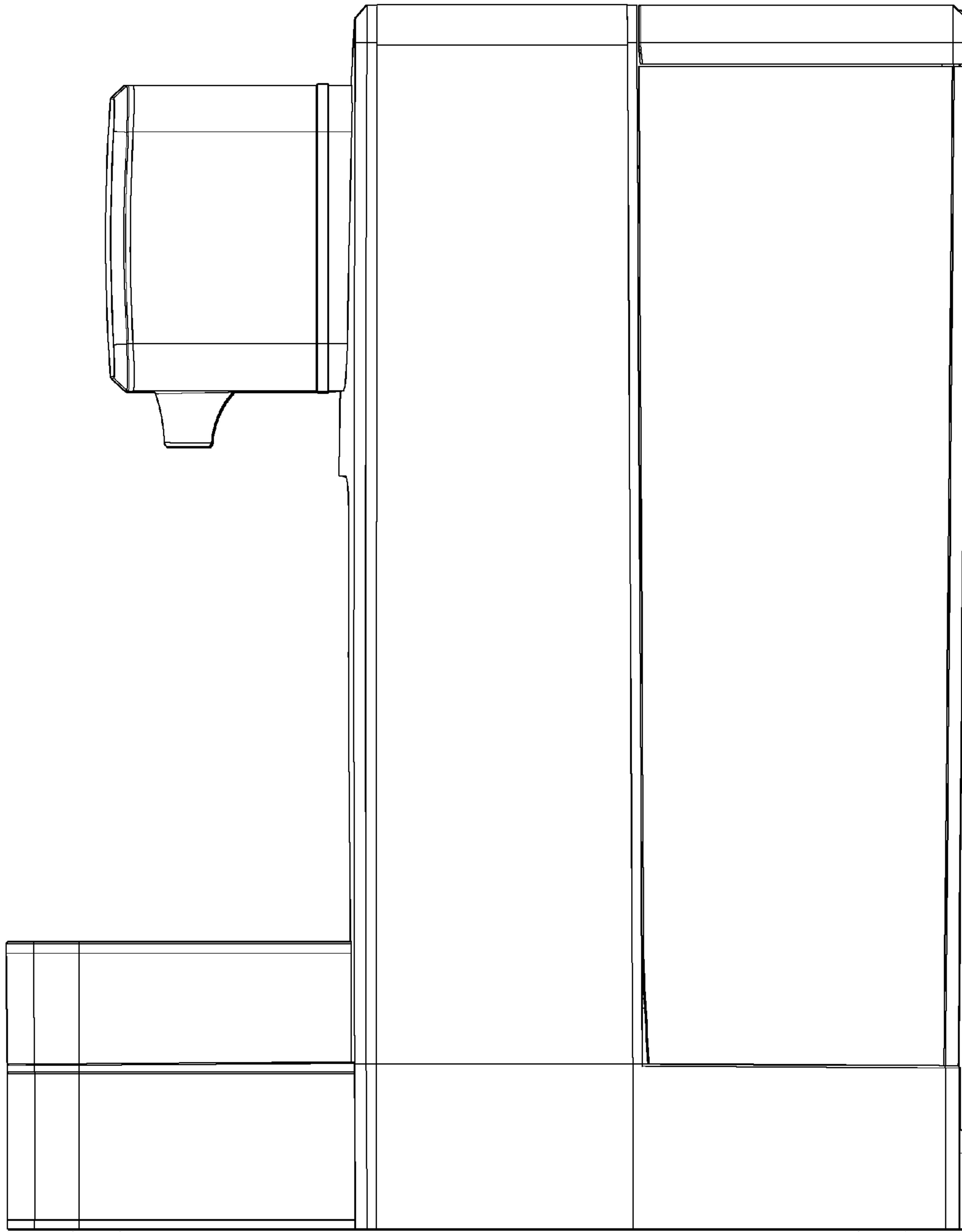


FIG. 3

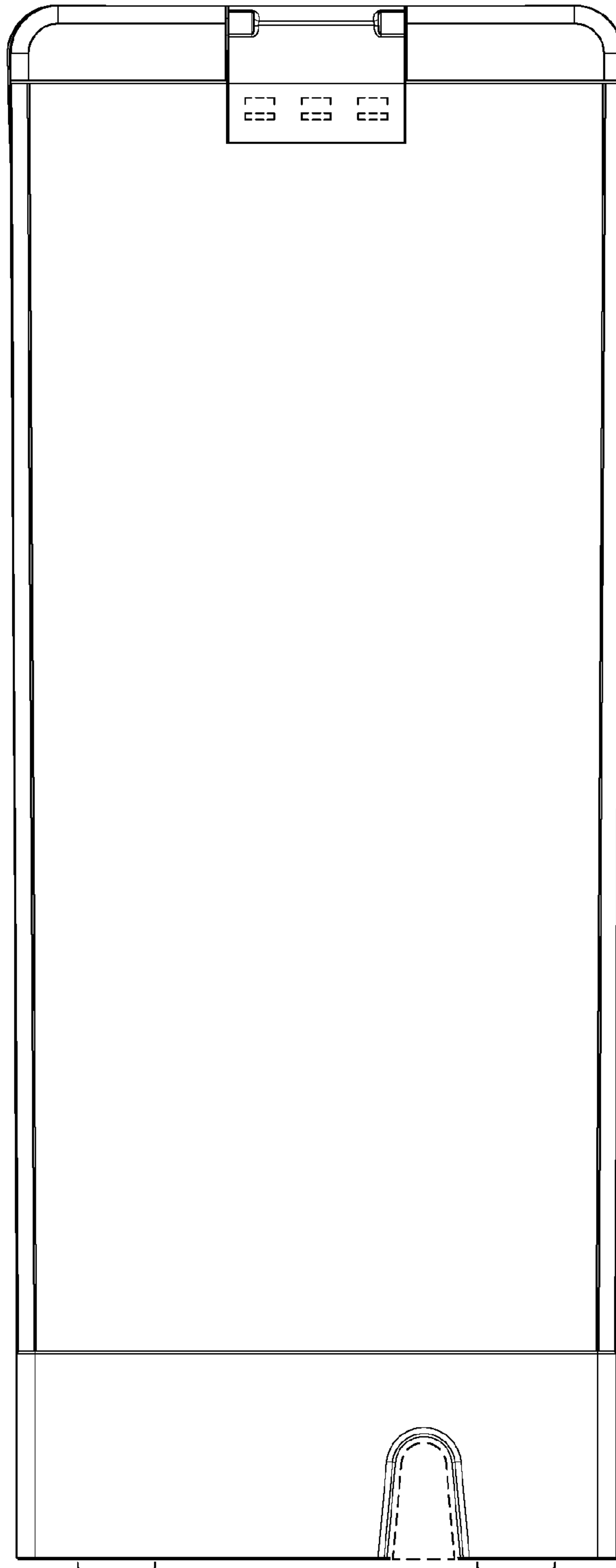


FIG. 4

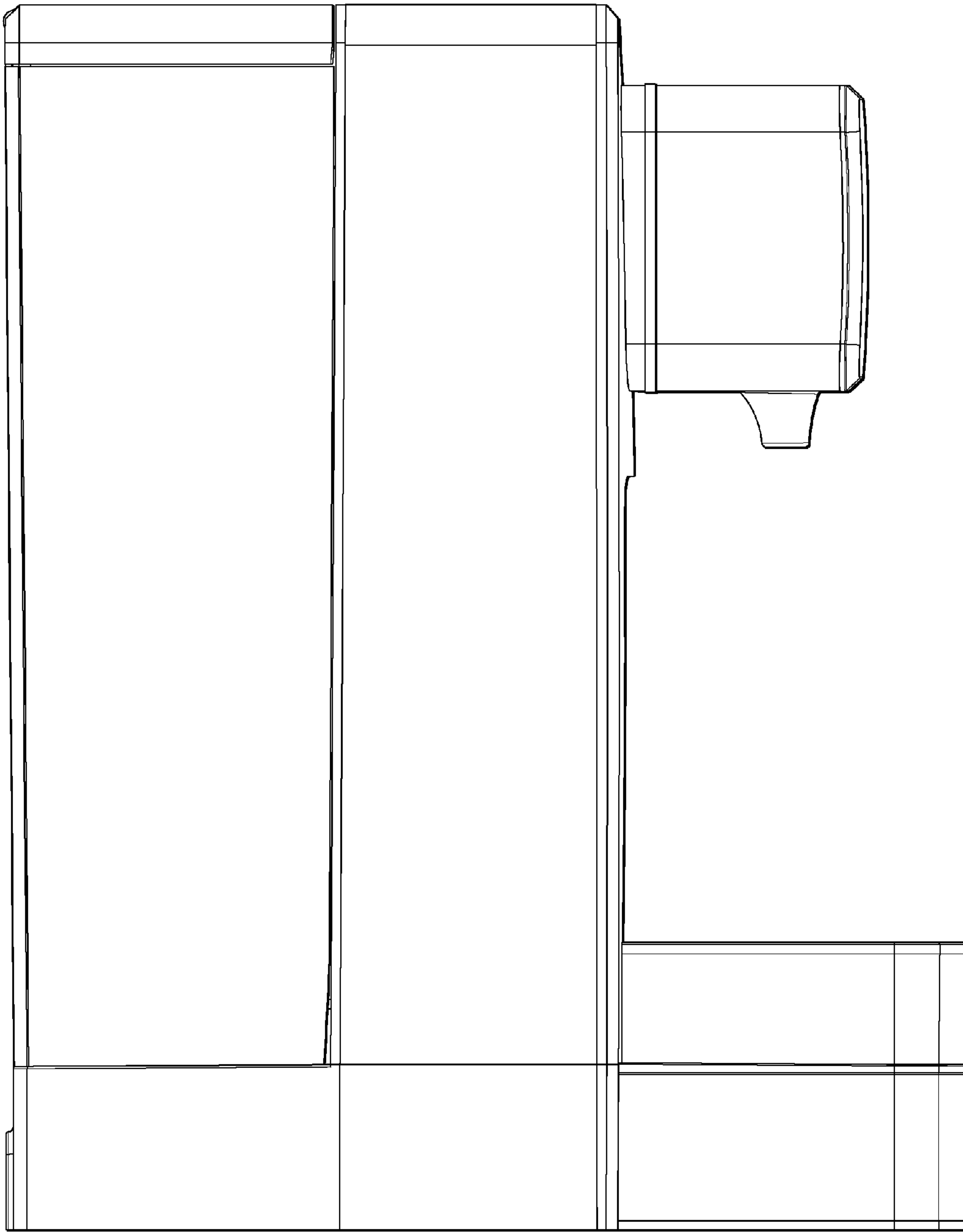


FIG. 5

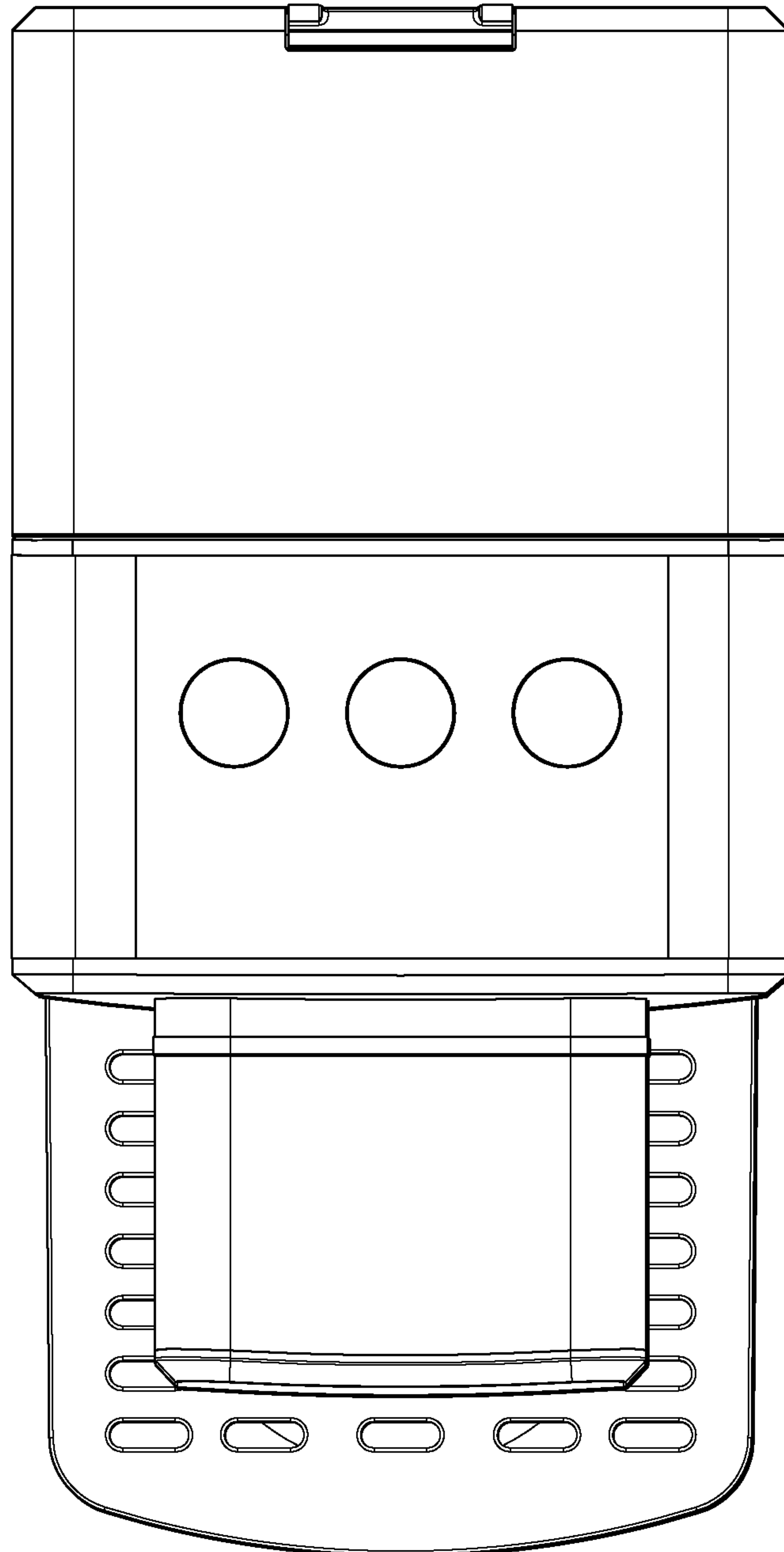


FIG. 6

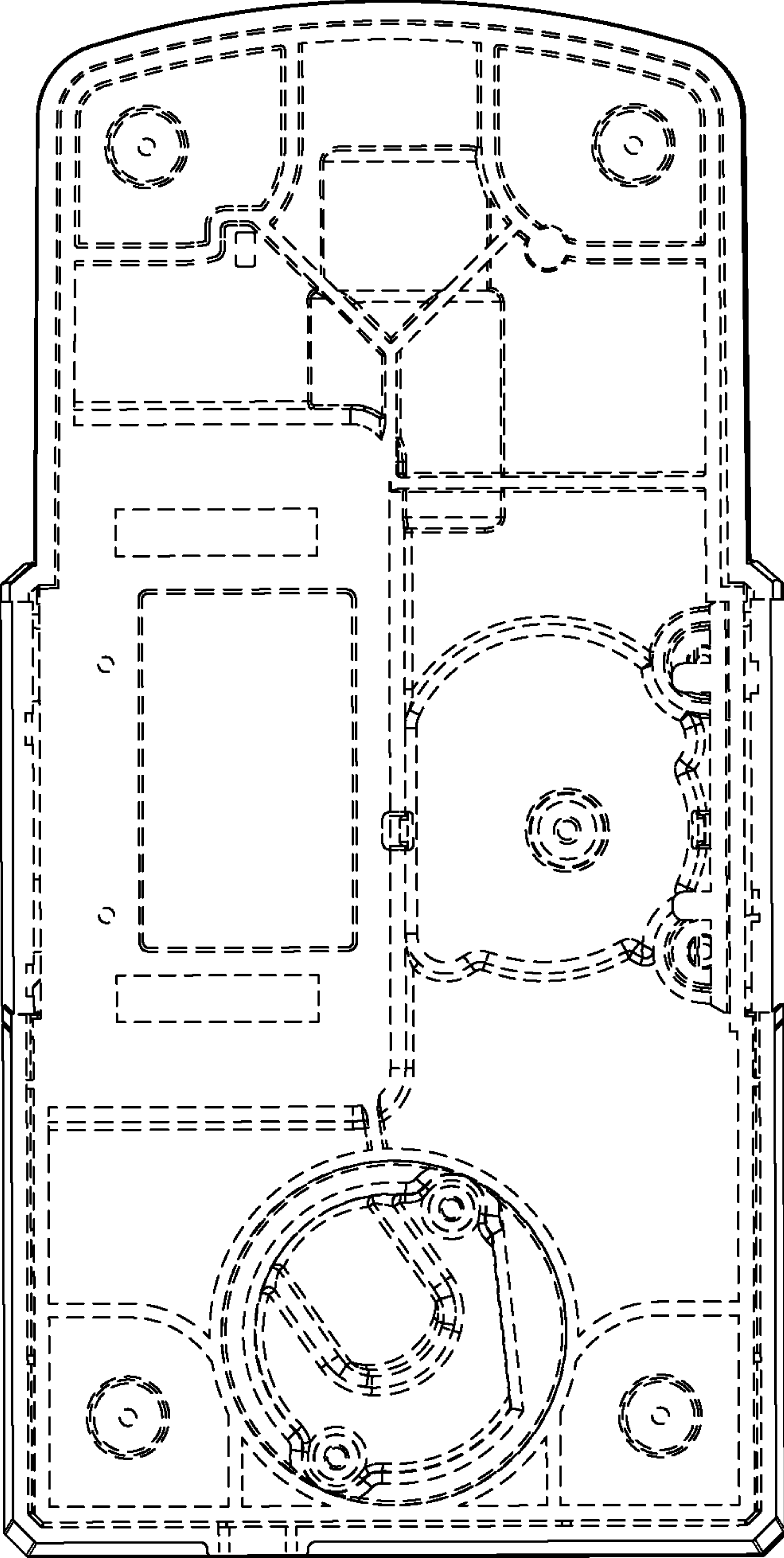


FIG. 7