



US00D774819S

(12) **United States Design Patent**
Silverio et al.

(10) **Patent No.:** **US D774,819 S**

(45) **Date of Patent:** **** Dec. 27, 2016**

(54) **BEVERAGE EQUIPMENT**

(71) Applicant: **Whirlpool S.A.**, São Paulo (BR)

(72) Inventors: **Diego Paulino Silverio**, Joinville (BR);
Eduardo Augusto de Carvalho Sanches, Joinville (BR); **Rodolfo Floeter Júnior**, Joinville (BR)

(73) Assignee: **WHIRLPOOL S.A.**, São Paulo (BR)

(**) Term: **14 Years**

(21) Appl. No.: **29/508,612**

(22) Filed: **Nov. 7, 2014**

(30) **Foreign Application Priority Data**

May 7, 2014 (BR) 30 2014 002025.0

(51) **LOC (10) Cl.** **07-01**

(52) **U.S. Cl.**
USPC **D7/306; D7/311**

(58) **Field of Classification Search**
USPC ... D7/306-311, 305, 300; 99/279, 284, 290,
99/280, 299, 307, 297

CPC A47J 31/44; A47J 31/00; A47J 31/46;
A47J 31/10

See application file for complete search history.

(56) **References Cited**

U.S. PATENT DOCUMENTS

D295,939 S * 5/1988 Dole D7/309
D296,408 S * 6/1988 Gaunt D7/308

D311,846 S * 11/1990 Kirschner D7/308
D316,796 S * 5/1991 Kirschner D7/311
D321,806 S * 11/1991 Chaney D7/308
D324,319 S * 3/1992 Faerber D7/308
D324,465 S * 3/1992 Ratzlaff D7/308
D351,965 S * 11/1994 Credle, Jr. D7/300
D509,701 S * 9/2005 Lam D7/308
D570,636 S * 6/2008 Kuluhan D7/306
D651,444 S * 1/2012 Lee D7/306
D667,252 S * 9/2012 Rousselin D7/309
D727,084 S * 4/2015 Dorr D7/309
D734,972 S * 7/2015 Burrows D7/306
D737,090 S * 8/2015 Long D23/207

* cited by examiner

Primary Examiner — Marianne Pandozzi

(74) *Attorney, Agent, or Firm* — Andrews Kurth Kenyon LLP

(57) **CLAIM**

The ornamental design for a beverage equipment, as shown and described.

DESCRIPTION

FIG. 1 is a perspective view of beverage equipment showing our new design;

FIG. 2 is a right side view thereof;

FIG. 3 is a left side view thereof;

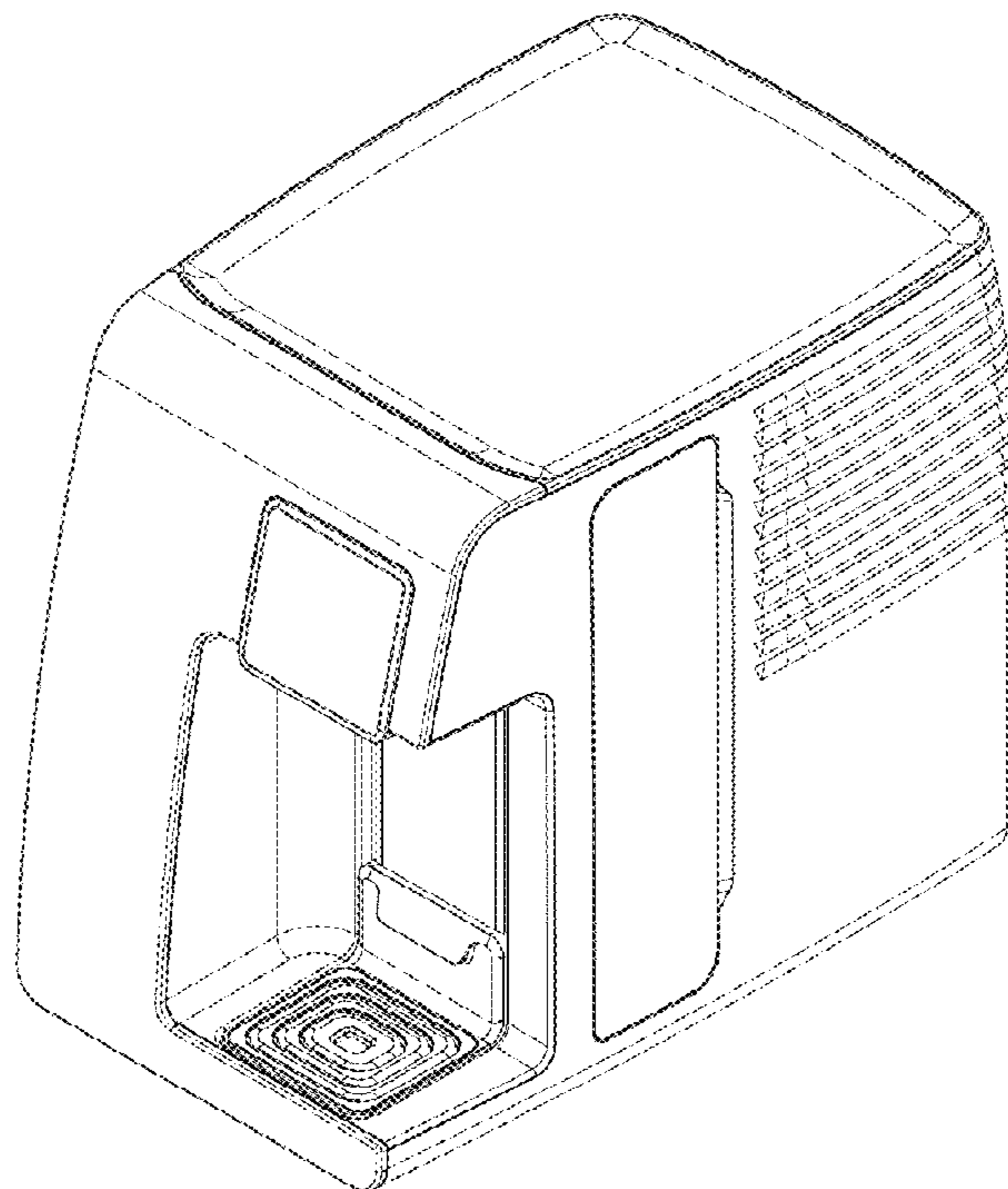
FIG. 4 is a front view thereof;

FIG. 5 is a rear view thereof;

FIG. 6 is a top plan view thereof; and,

FIG. 7 is a bottom plan view thereof.

1 Claim, 4 Drawing Sheets



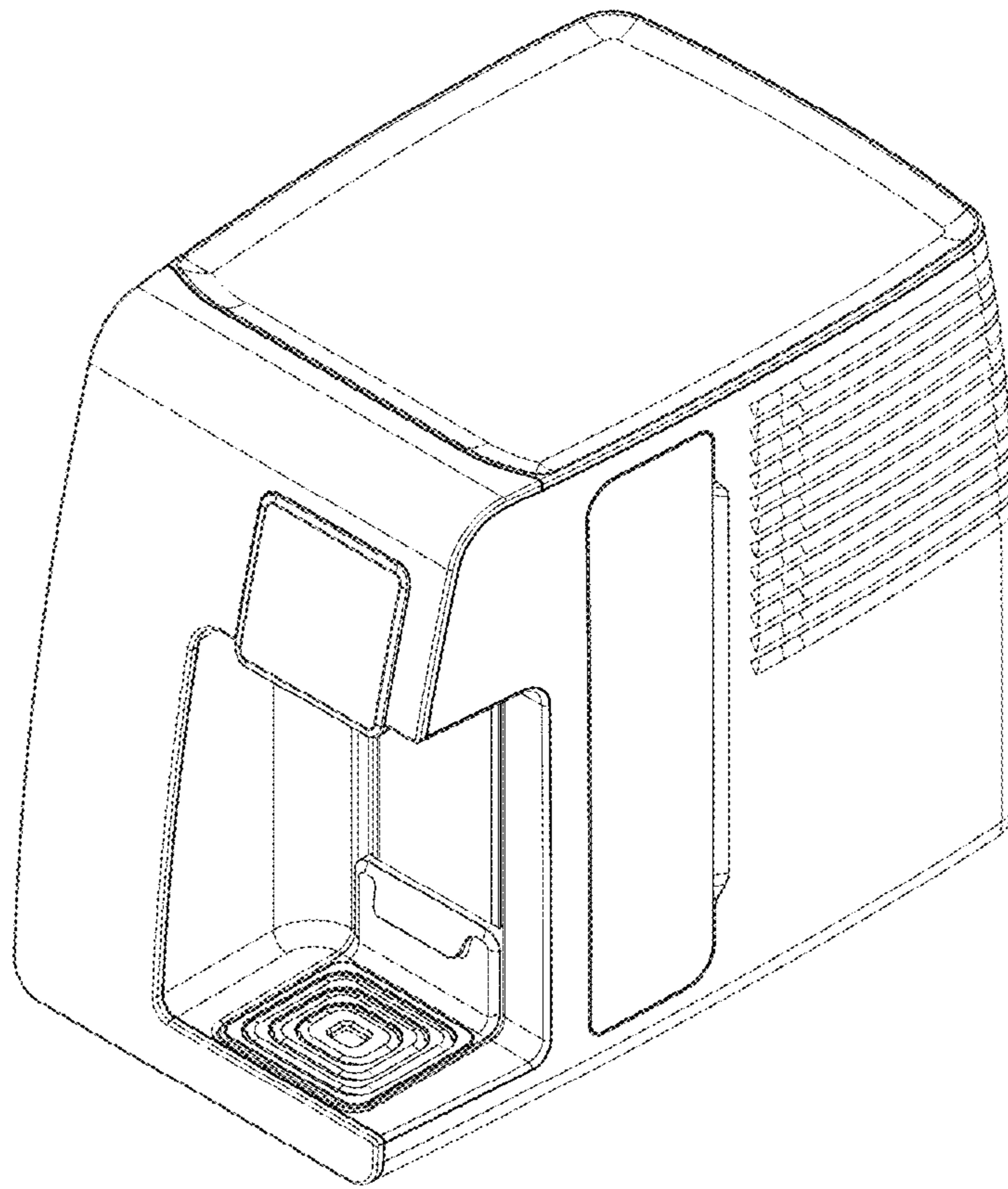


FIG. 1

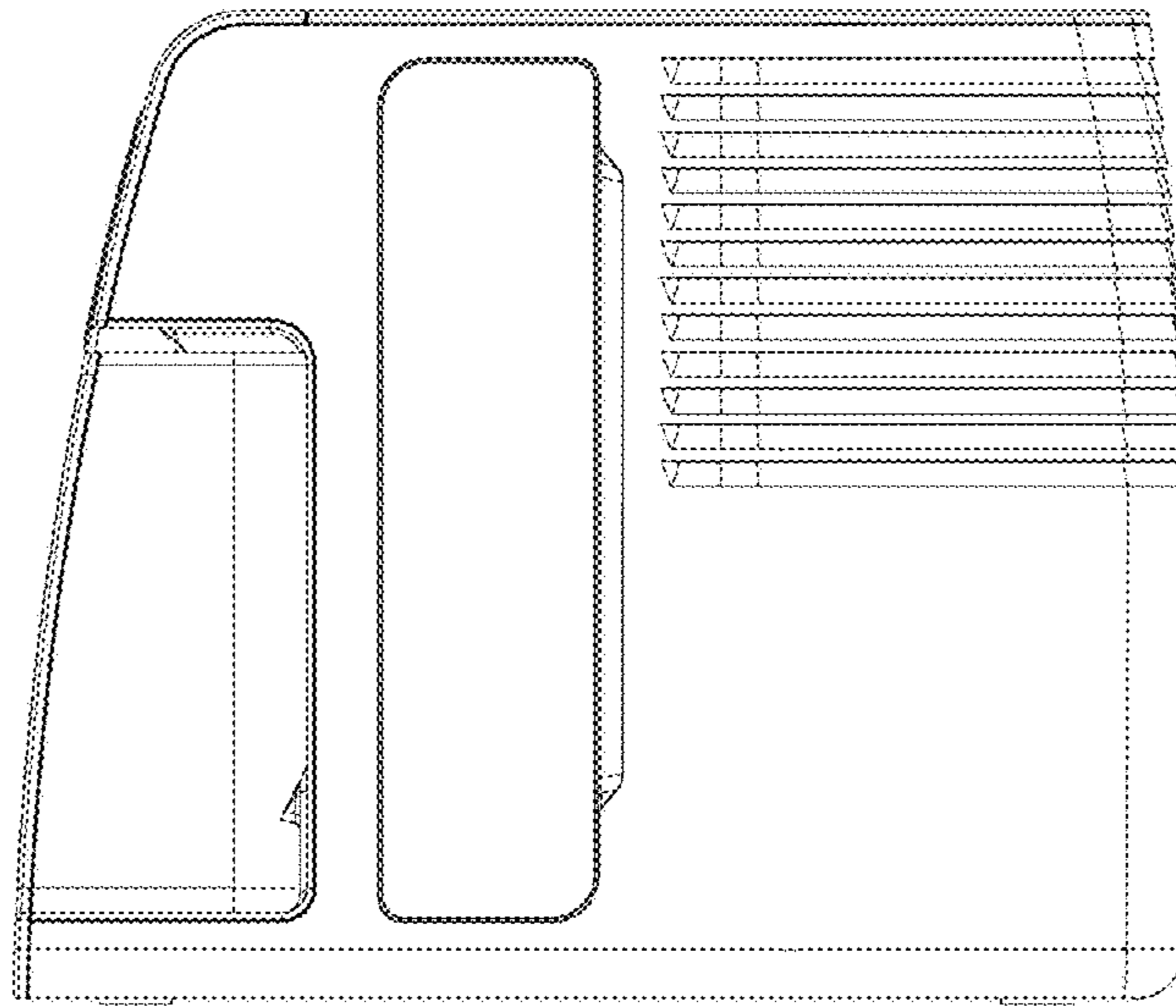


FIG. 2

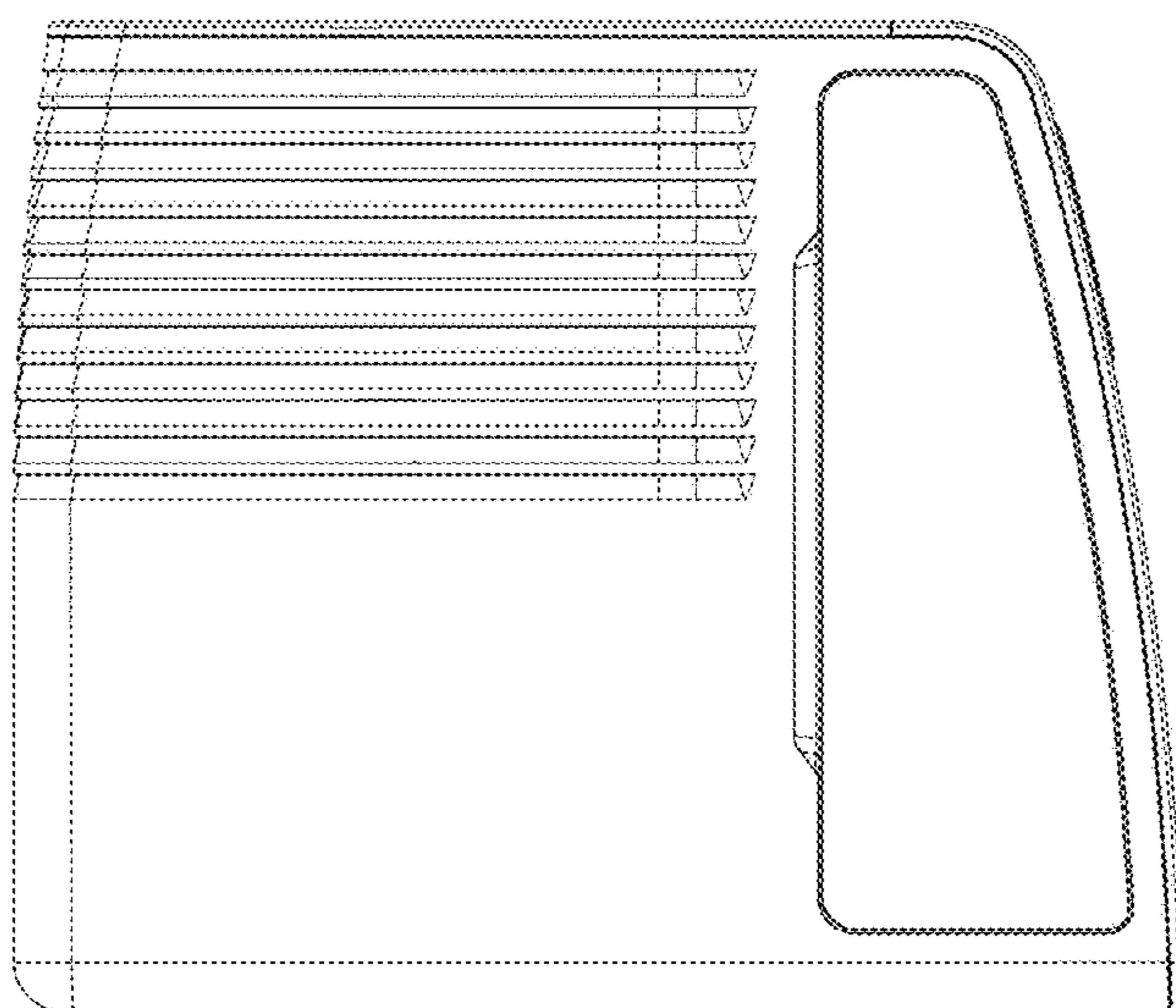


FIG. 3

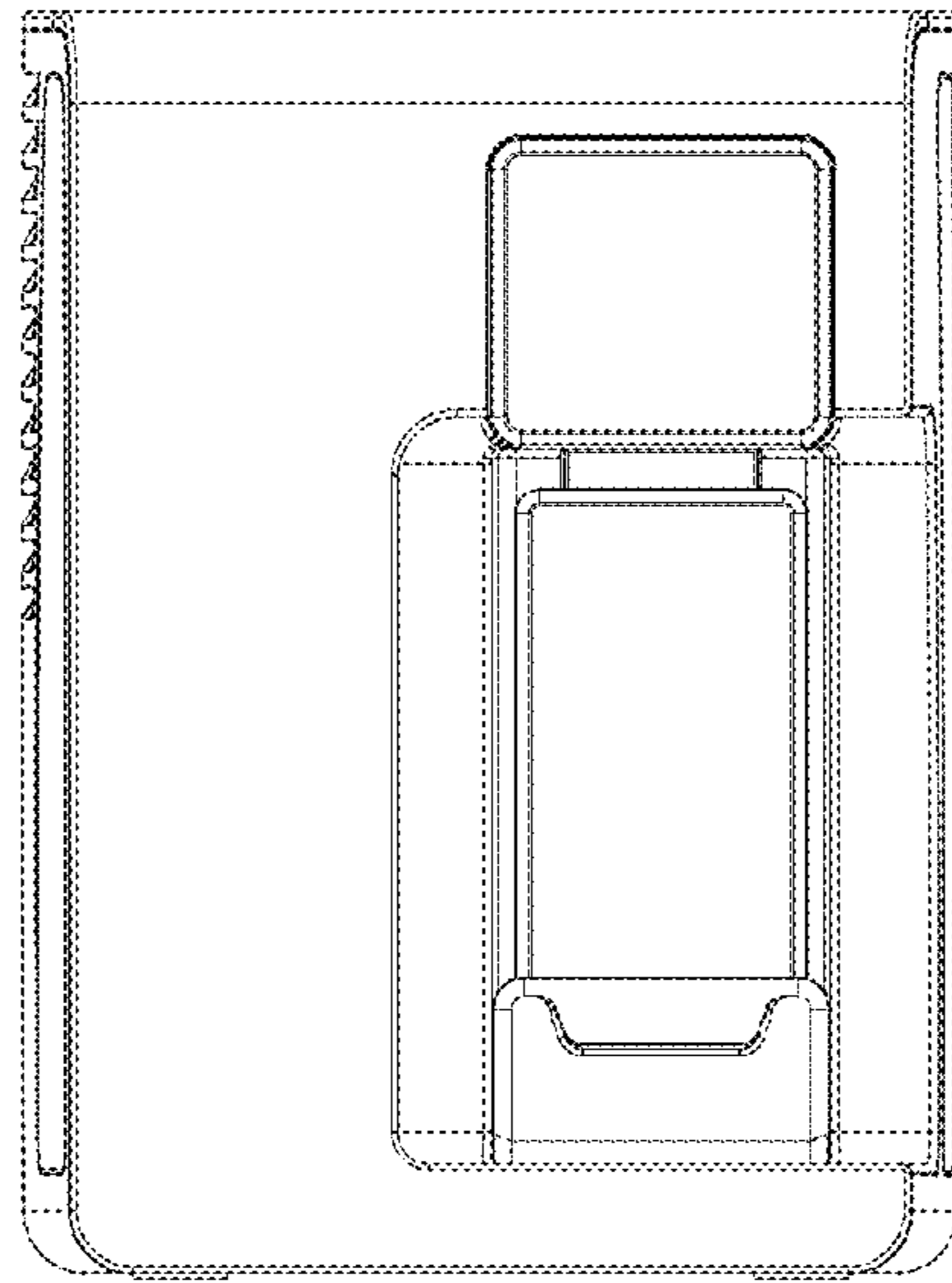


FIG. 4

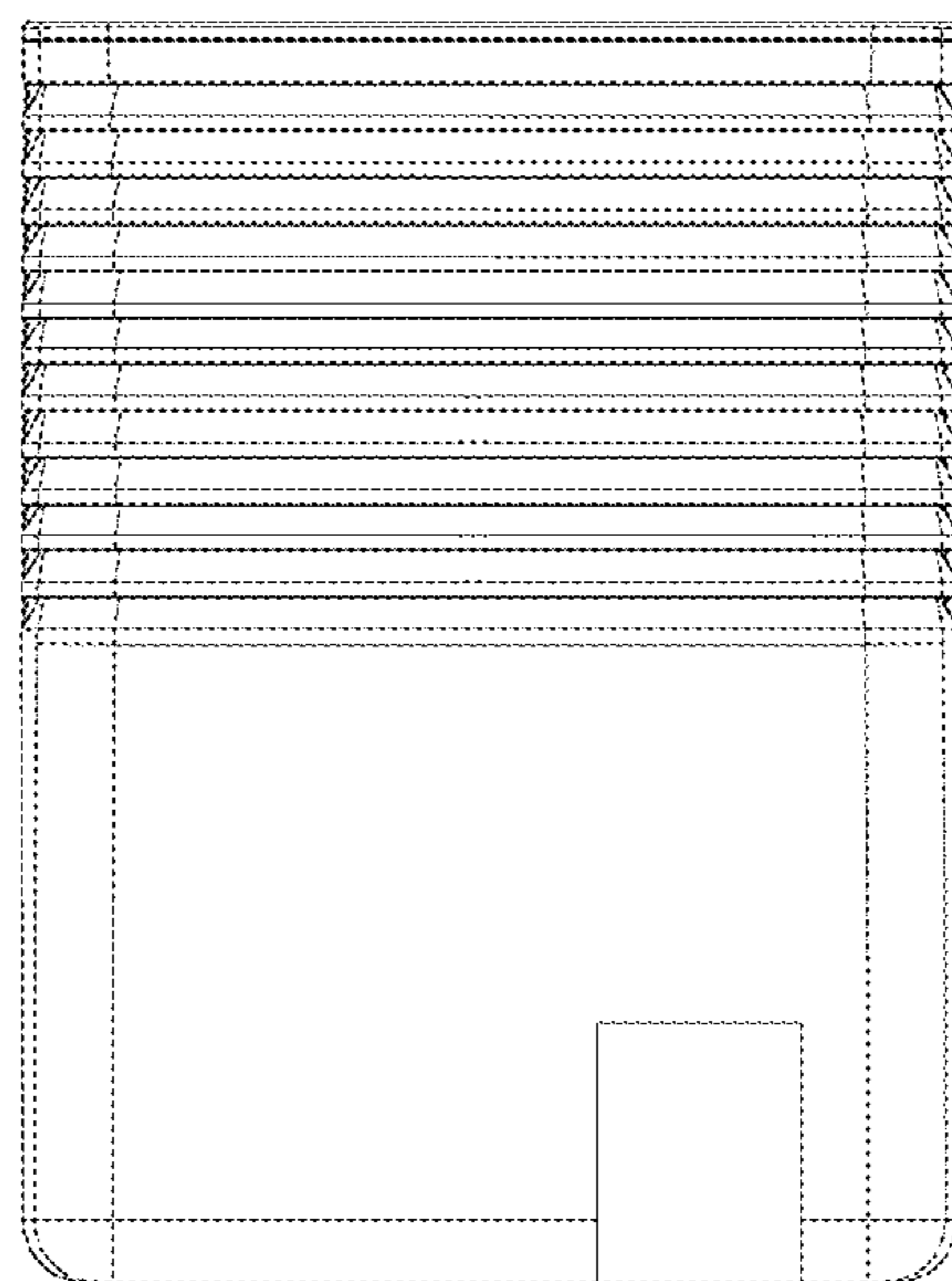


FIG. 5

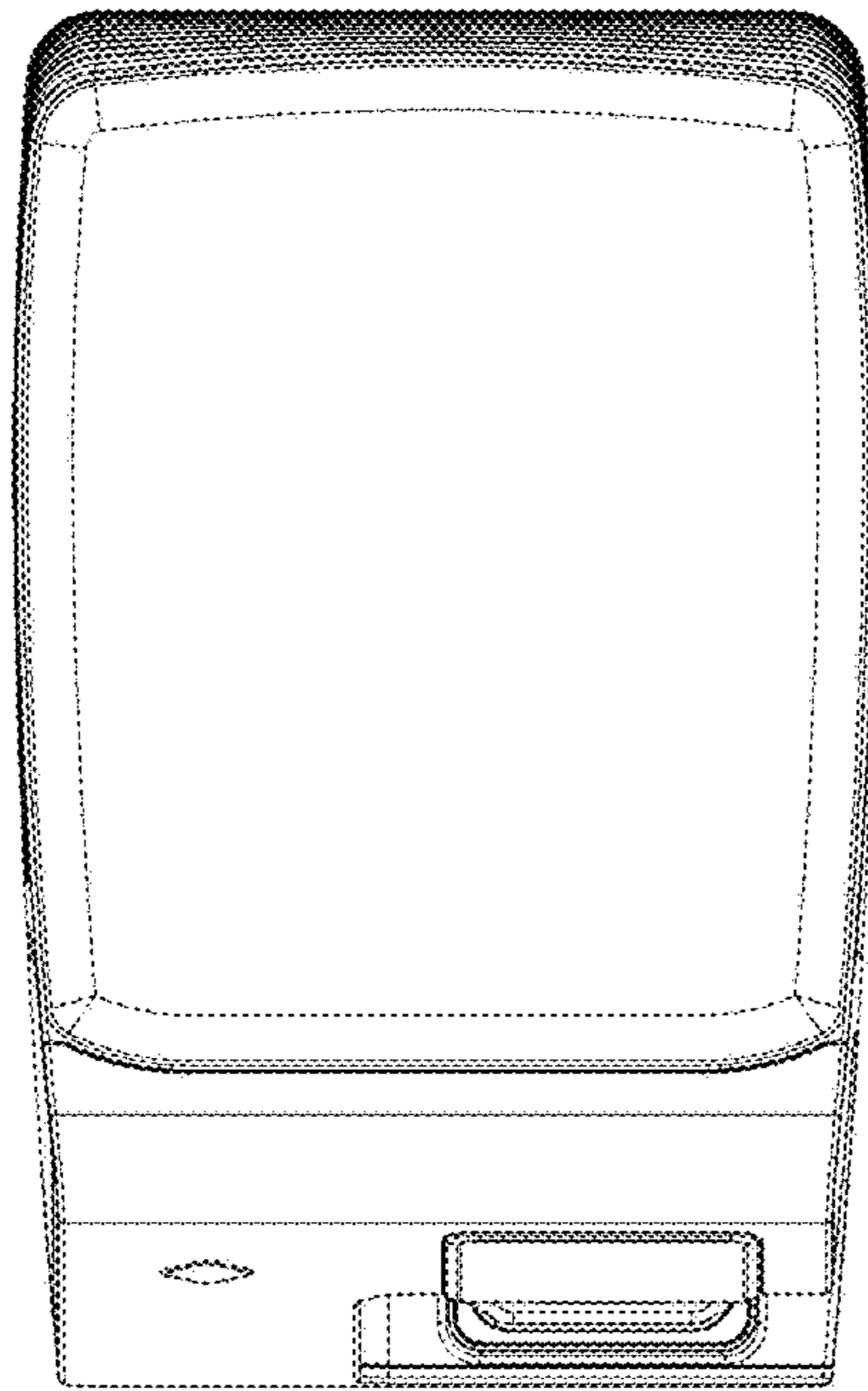


FIG. 6

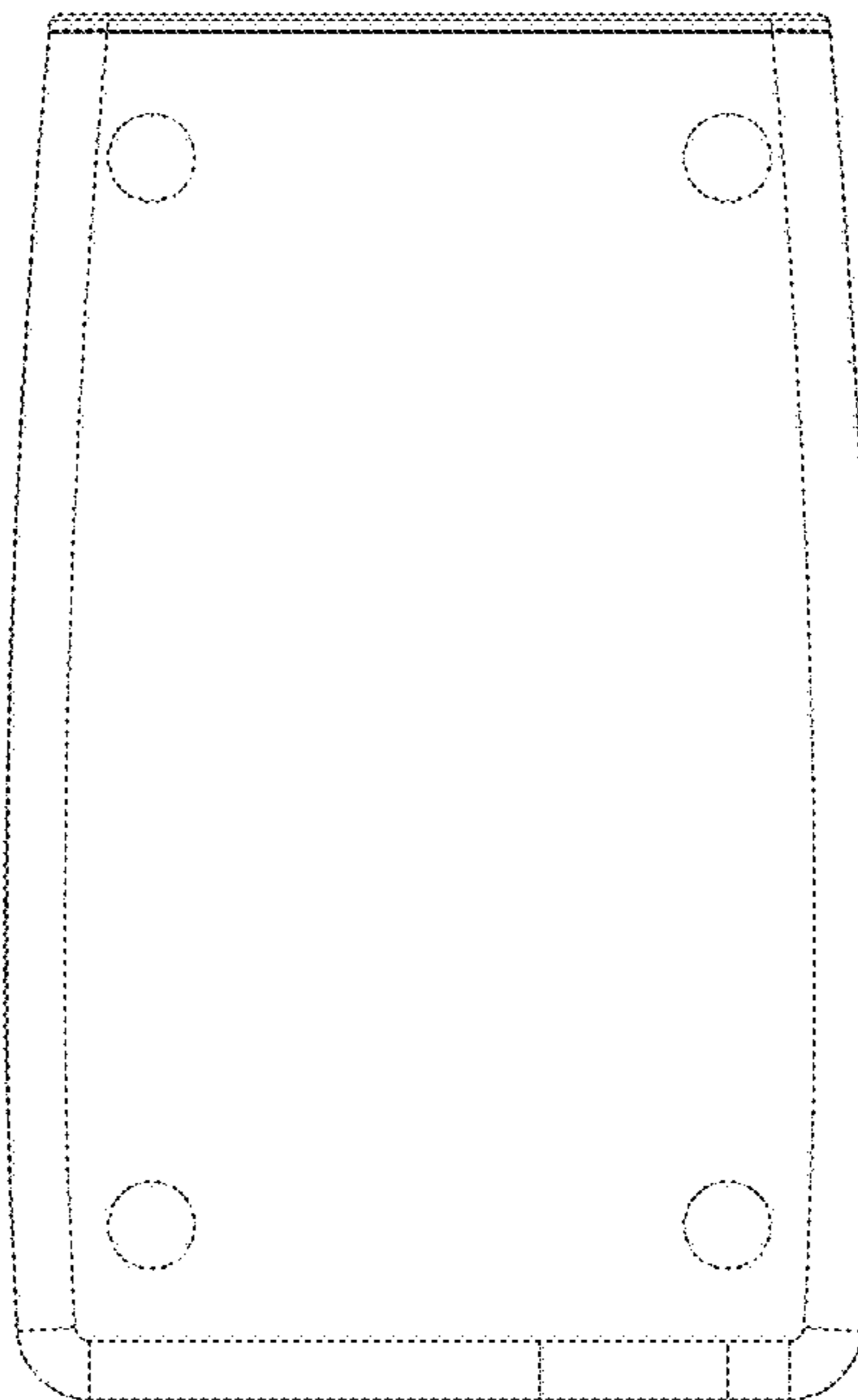


FIG. 7