



US00D774816S

(12) **United States Design Patent**
Sorel

(10) **Patent No.:** **US D774,816 S**

(45) **Date of Patent:** **** Dec. 27, 2016**

(54) **BENCH**

(71) Applicant: **LANDSCAPE FORMS, INC.**,
Kalamazoo, MI (US)

(72) Inventor: **Jess Allen Sorel**, Oakland, CA (US)

(73) Assignee: **LANDSCAPE FORMS, INC.**,
Kalamazoo, MI (US)

(**) Term: **15 Years**

(21) Appl. No.: **29/531,911**

(22) Filed: **Jun. 30, 2015**

(51) **LOC (10) Cl.** **06-01**

(52) **U.S. Cl.**
USPC **D6/717; D6/370**

(58) **Field of Classification Search**
USPC D6/334-336, 370, 371-373, 374, 379,
D6/380, 381, 691.5, 691.8, 716, 716.1,
D6/716.2, 716.4, 717
CPC A47C 11/00; A47C 11/02; A47C 4/02;
A47C 4/03; A47C 4/021; A47C
5/06; A47C 7/16; A47C 7/22
See application file for complete search history.

(56) **References Cited**

U.S. PATENT DOCUMENTS

3,857,120 A * 12/1974 Acker A47C 4/02
297/440.2
4,140,065 A * 2/1979 Chacon A47C 4/021
297/440.13

D360,538 S * 7/1995 Skalka D6/370
D505,282 S * 5/2005 Miyakawa D6/691.8
8,777,319 B2 * 7/2014 Brandtner A47C 4/02
297/440.15
D737,609 S * 9/2015 Nishikawa D6/691.5
D766,642 S * 9/2016 Sorel D6/717

* cited by examiner

Primary Examiner — Mimoso De

(74) *Attorney, Agent, or Firm* — Heslin Rothenberg
Farley & Mesiti P.C.

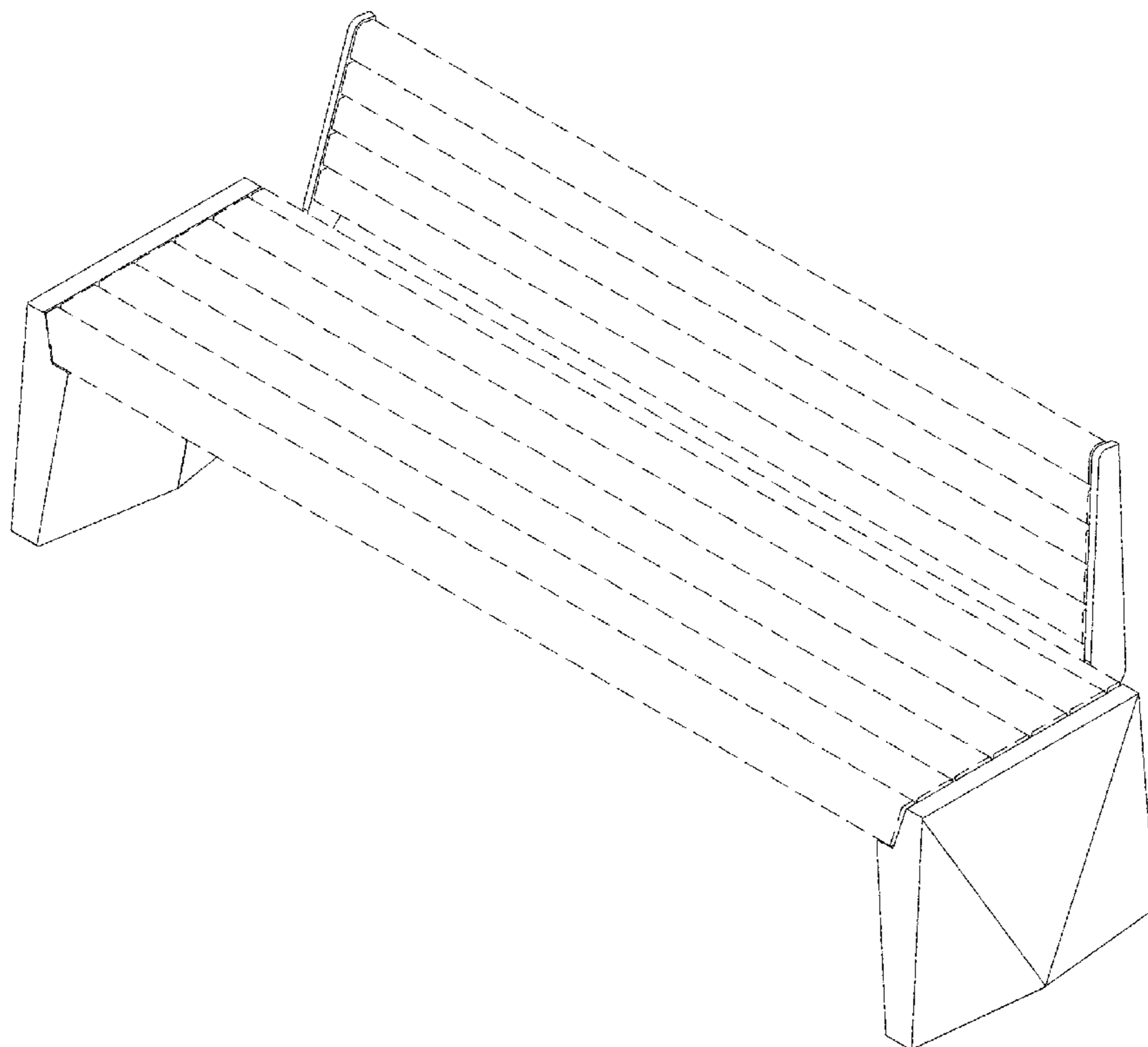
(57) **CLAIM**

The ornamental design for a bench, as shown and described.

DESCRIPTION

FIG. 1 is a perspective view of the bench of the present invention;
FIG. 2 is a front elevation view thereof;
FIG. 3 is a right side elevation view thereof, the left side elevation view being a mirror image thereof;
FIG. 4 is a top plan view thereof; and,
FIG. 5 is a rear elevation view thereof.
The broken lines in the figures are for purposes of illustrating environmental structure only and form no part of the claimed invention.

1 Claim, 5 Drawing Sheets



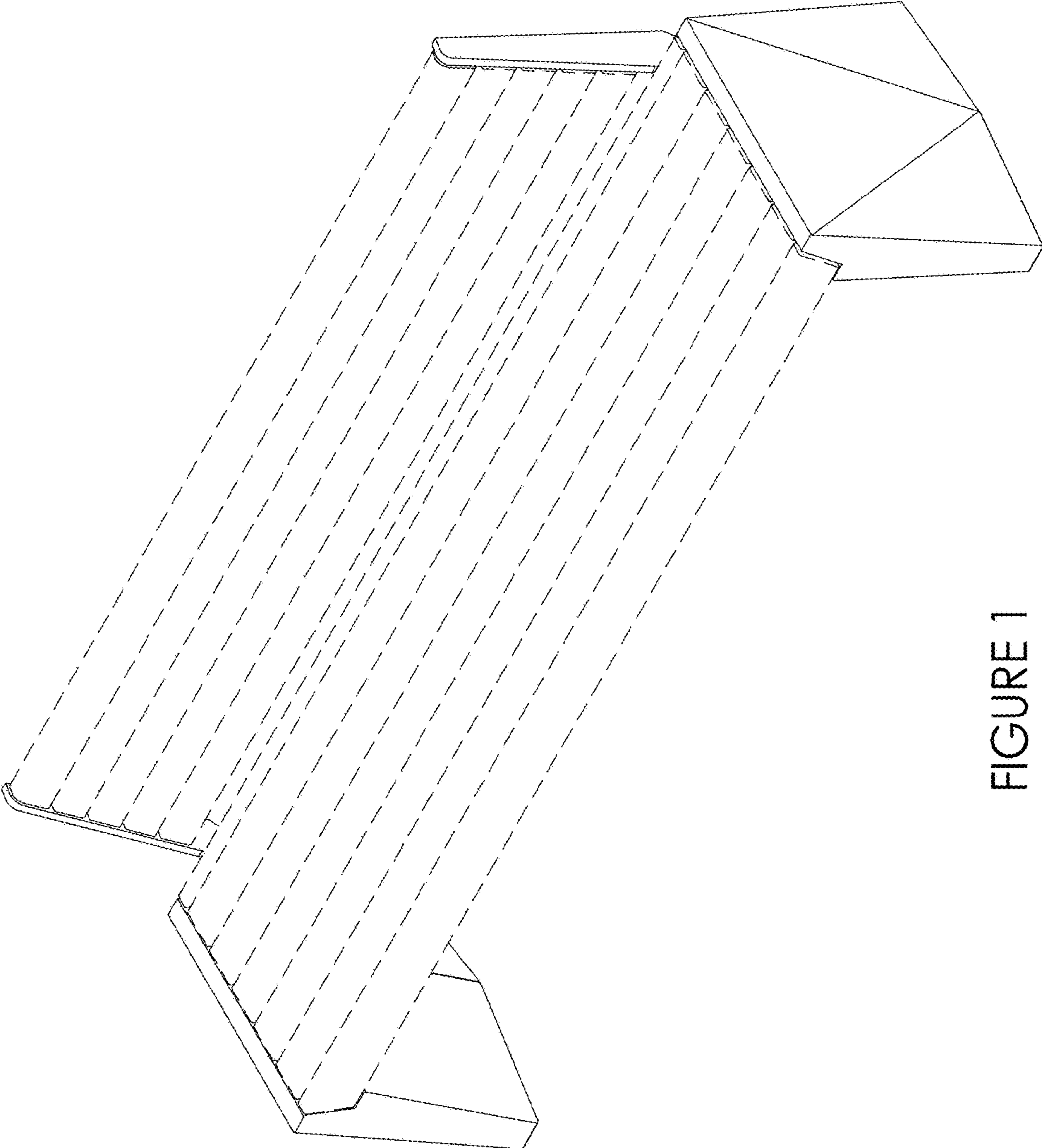


FIGURE 1

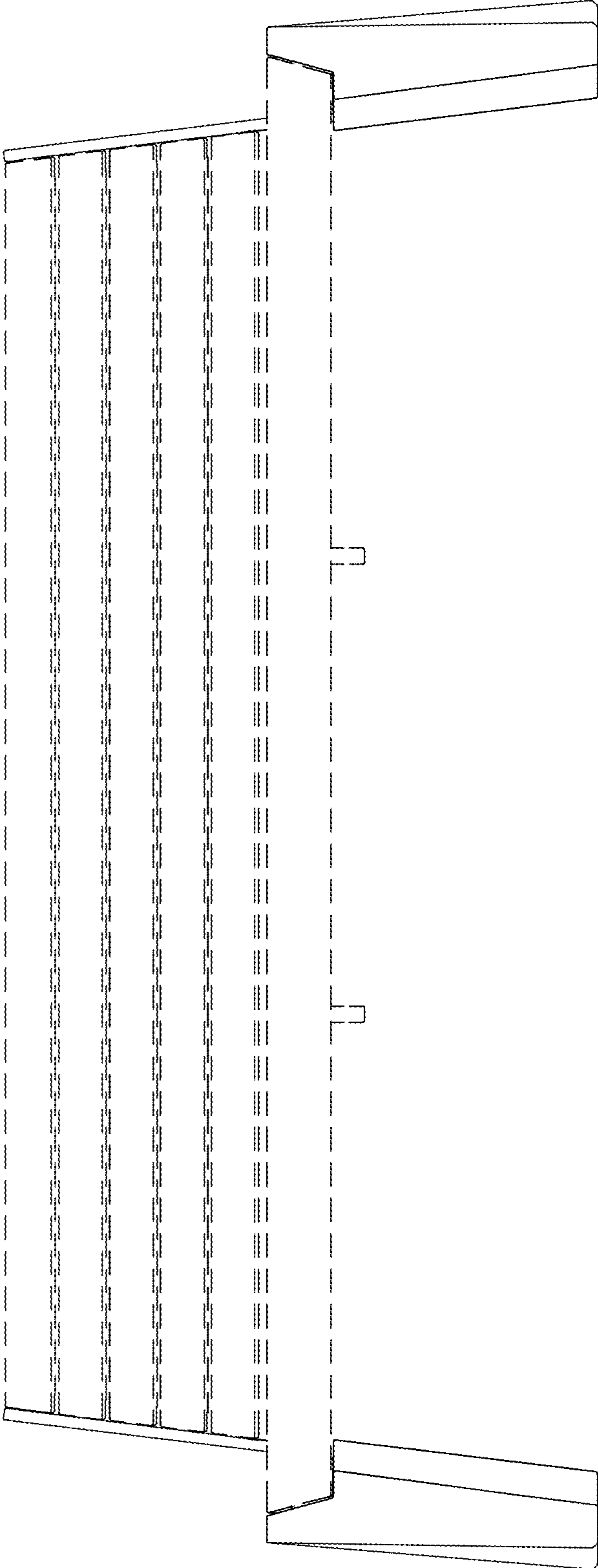


FIGURE 2

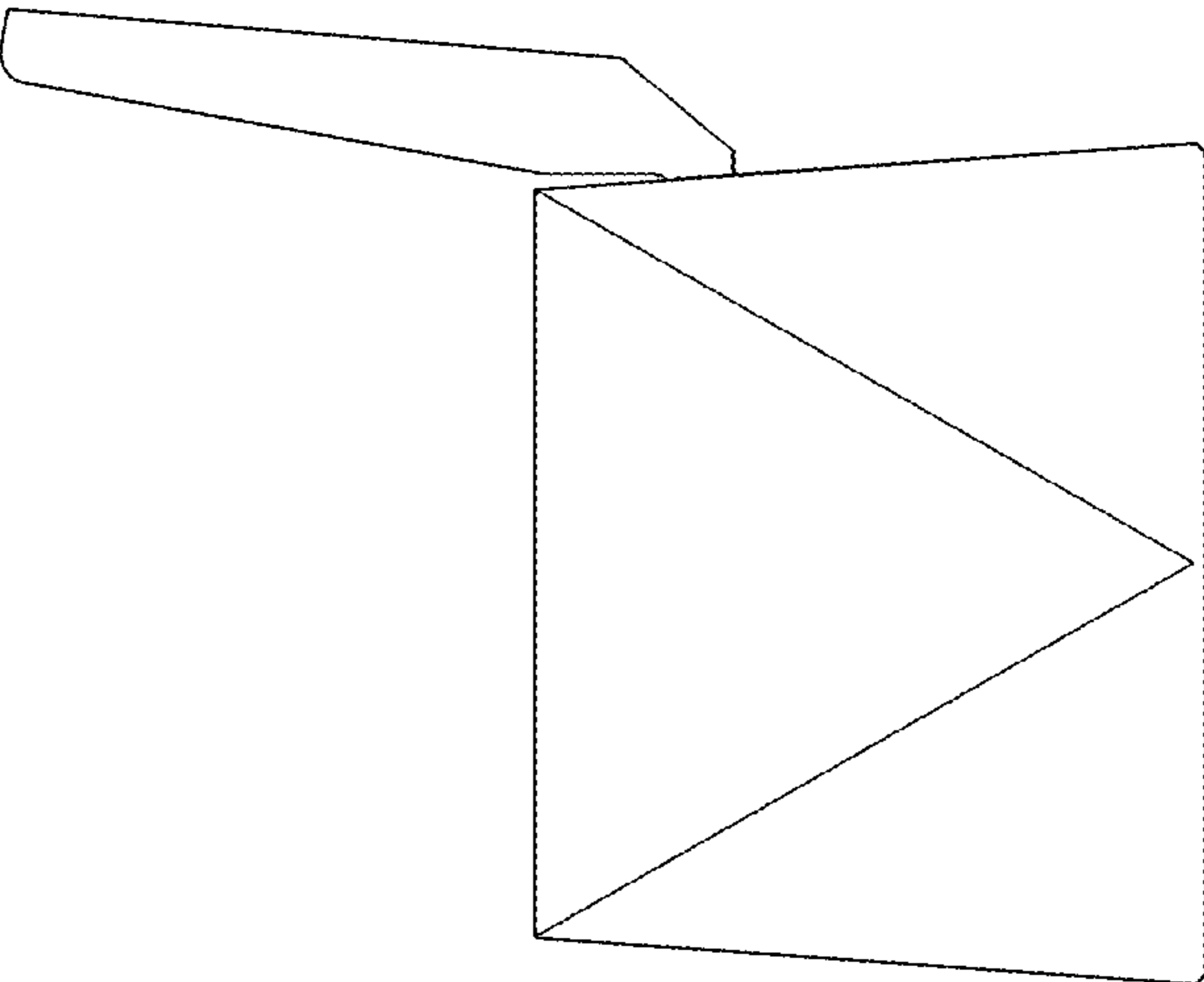


FIGURE 3

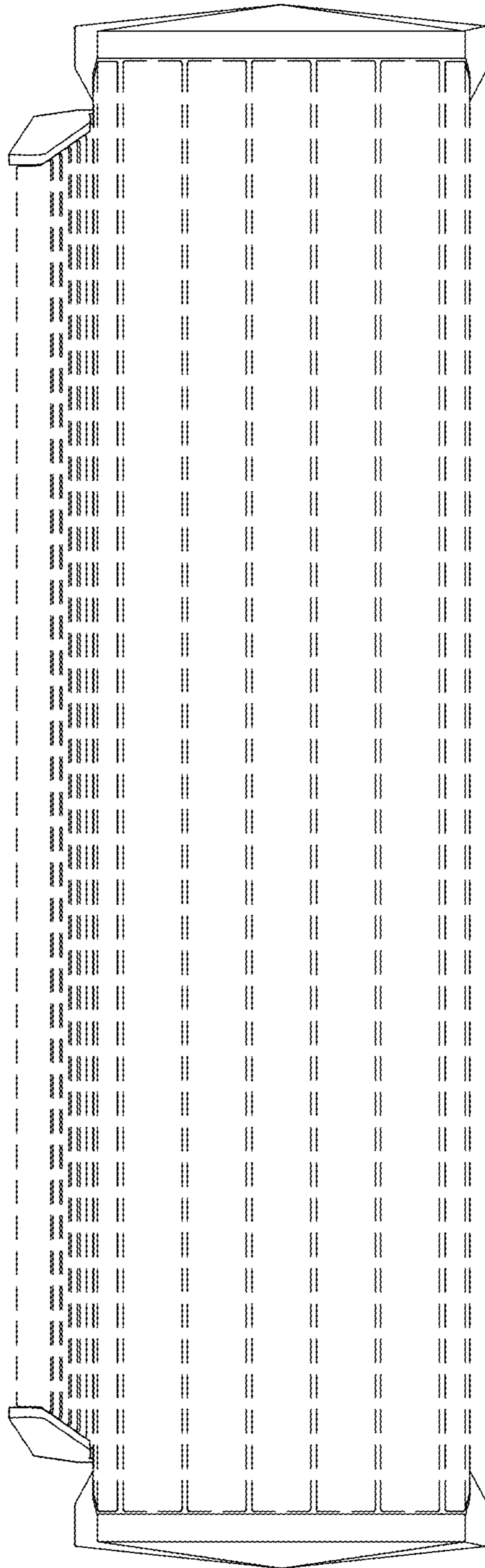


FIGURE 4

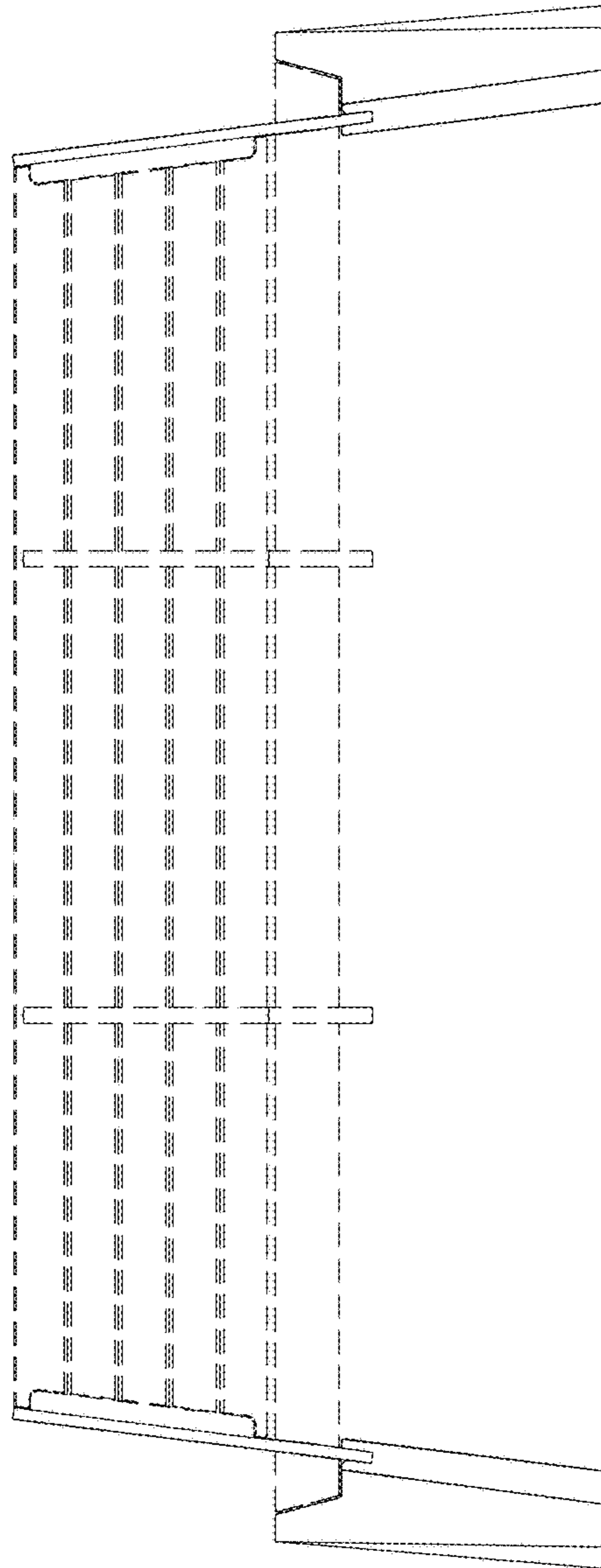


FIGURE 5