



US00D774814S

(12) **United States Design Patent** (10) **Patent No.:** **US D774,814 S**  
**Powell** (45) **Date of Patent:** **\*\* Dec. 27, 2016**

(54) **BACKREST FOR A CHAIR**  
(71) Applicant: **Assa Group, Inc.**, Lowell, MI (US)  
(72) Inventor: **David J. Powell**, Lowell, MI (US)  
(73) Assignee: **Assa Group, Inc.**, Lowell, MI (US)  
(\*\*) Term: **15 Years**

(21) Appl. No.: **29/576,680**  
(22) Filed: **Sep. 6, 2016**  
(51) **LOC (10) Cl.** ..... **06-01**  
(52) **U.S. Cl.**  
USPC ..... **D6/716.4**  
(58) **Field of Classification Search**  
USPC ..... D6/334-336, 364, 365, 366, 369, 374,  
D6/376, 379, 380, 716, 716.1, 716.2,  
D6/716.3, 716.4  
CPC ..... A47C 7/16; A47C 7/40; A47C 7/022;  
A47C 7/282; A47C 7/285; B60N  
2/20; B60N 2/66  
See application file for complete search history.

(56) **References Cited**  
U.S. PATENT DOCUMENTS  
D346,279 S 4/1994 Stumpf et al.  
D445,580 S 7/2001 Pennington et al.  
D446,397 S 8/2001 Pennington et al.  
D534,384 S \* 1/2007 Su ..... D6/716.4  
D558,995 S 1/2008 Igarashi  
D559,571 S 1/2008 Meda  
D582,170 S 12/2008 Chi  
D636,614 S 4/2011 Sander et al.

D640,477 S 6/2011 Neil  
D646,915 S 10/2011 Schweikarth et al.  
D650,206 S 12/2011 Behar et al.  
D652,647 S 1/2012 Schaack  
D653,044 S 1/2012 Schaack  
D661,136 S 6/2012 Su  
D683,172 S 5/2013 Su  
D683,574 S 6/2013 Su  
D687,660 S \* 8/2013 Hsuan-Chin ..... D6/716.4  
D701,068 S \* 3/2014 Usumoto ..... D6/366  
D703,457 S 4/2014 Plikat et al.  
D708,879 S \* 7/2014 Tsai ..... D6/716  
D724,367 S \* 3/2015 Sander ..... D6/366  
D763,587 S 8/2016 Neil

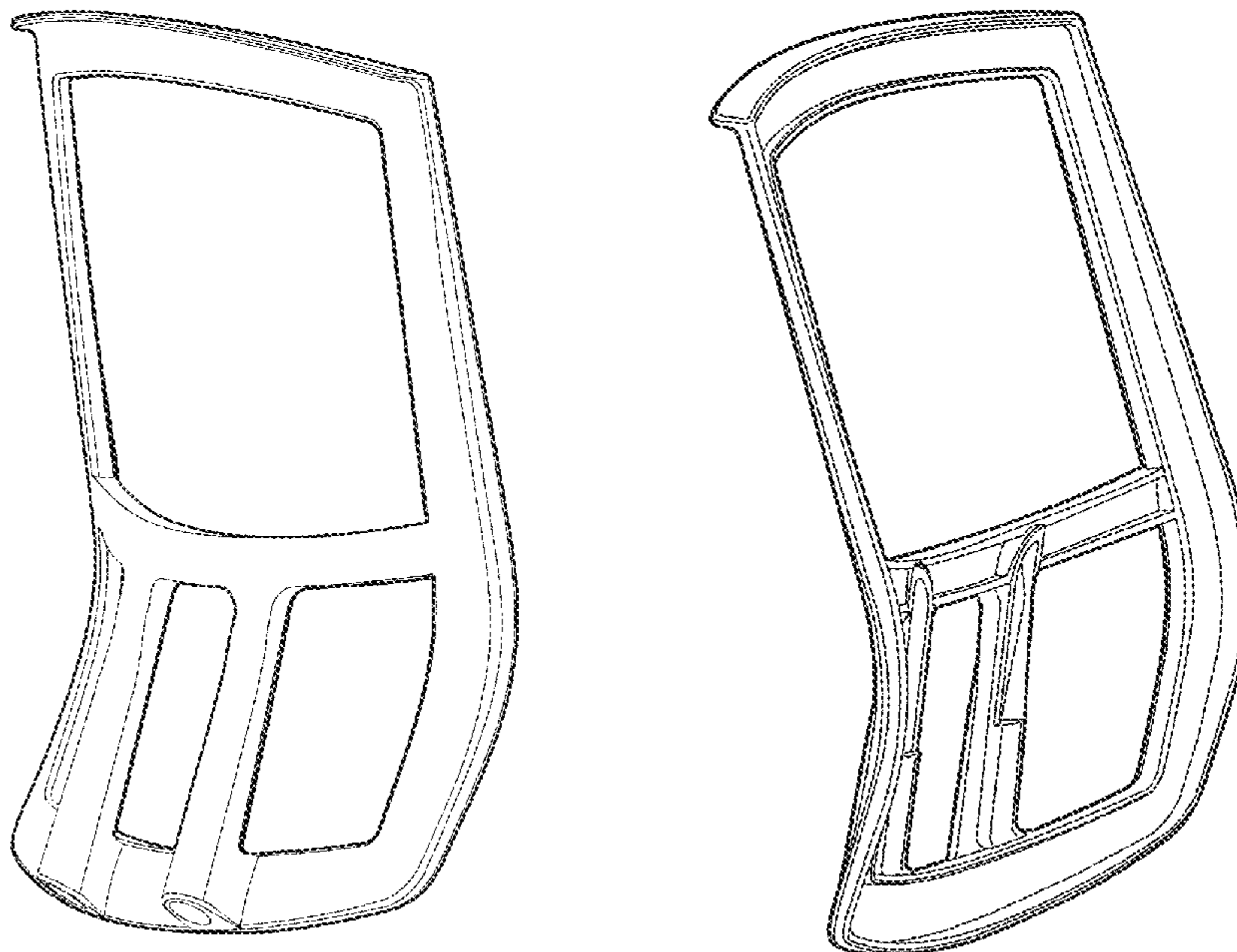
\* cited by examiner

*Primary Examiner* — Mimosa De  
(74) *Attorney, Agent, or Firm* — Oppenhuizen Law PLC;  
David L. Oppenhuizen

(57) **CLAIM**  
The ornamental design for a backrest for a chair, as shown  
and described.

**DESCRIPTION**  
FIG. 1 is a front perspective view of a backrest for a chair  
showing the new design;  
FIG. 2 is a rear perspective view thereof;  
FIG. 3 is a front view;  
FIG. 4 is a rear view;  
FIG. 5 is a left view;  
FIG. 6 is a right view;  
FIG. 7 is a top view; and,  
FIG. 8 is a bottom view.

**1 Claim, 5 Drawing Sheets**



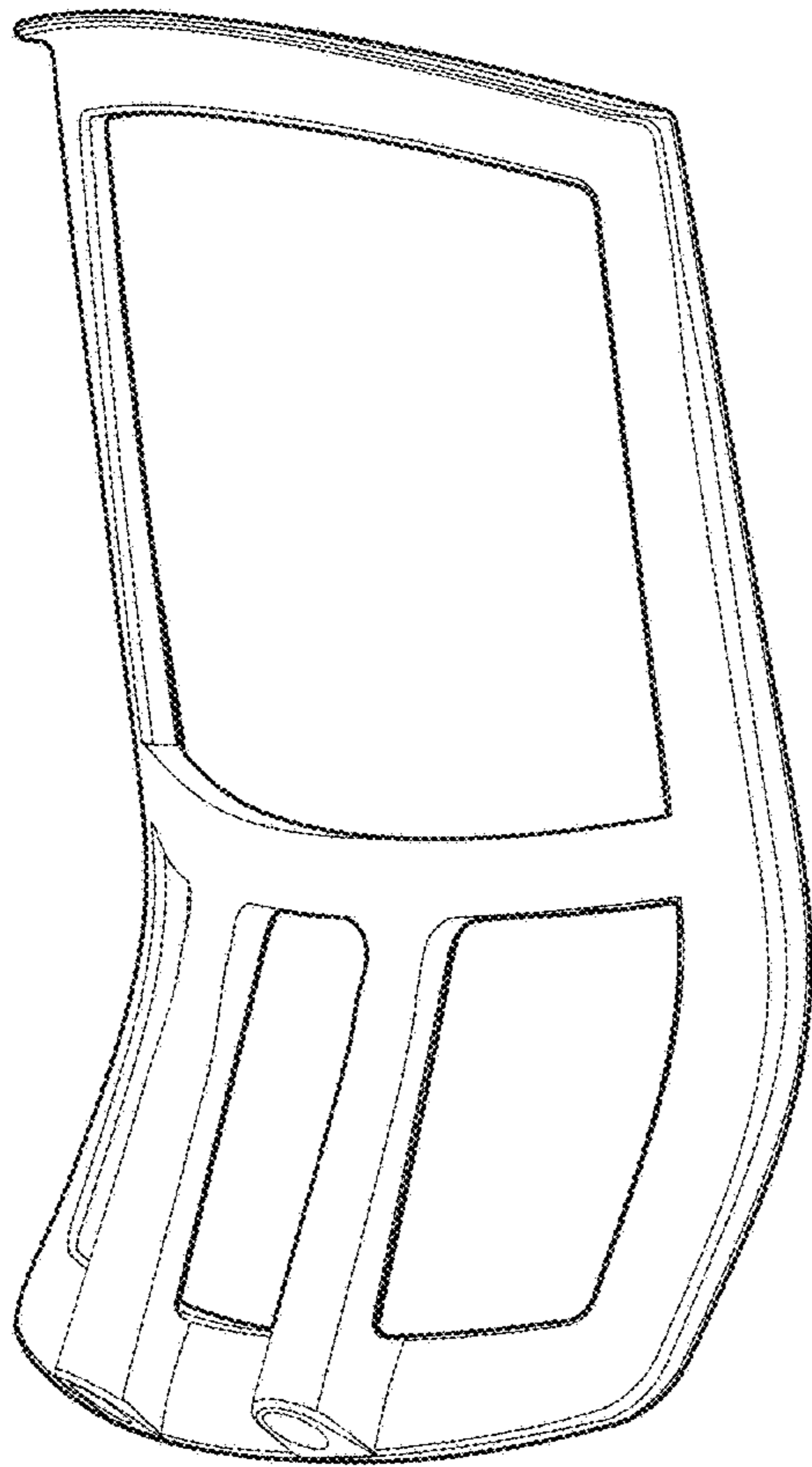


FIG. 1

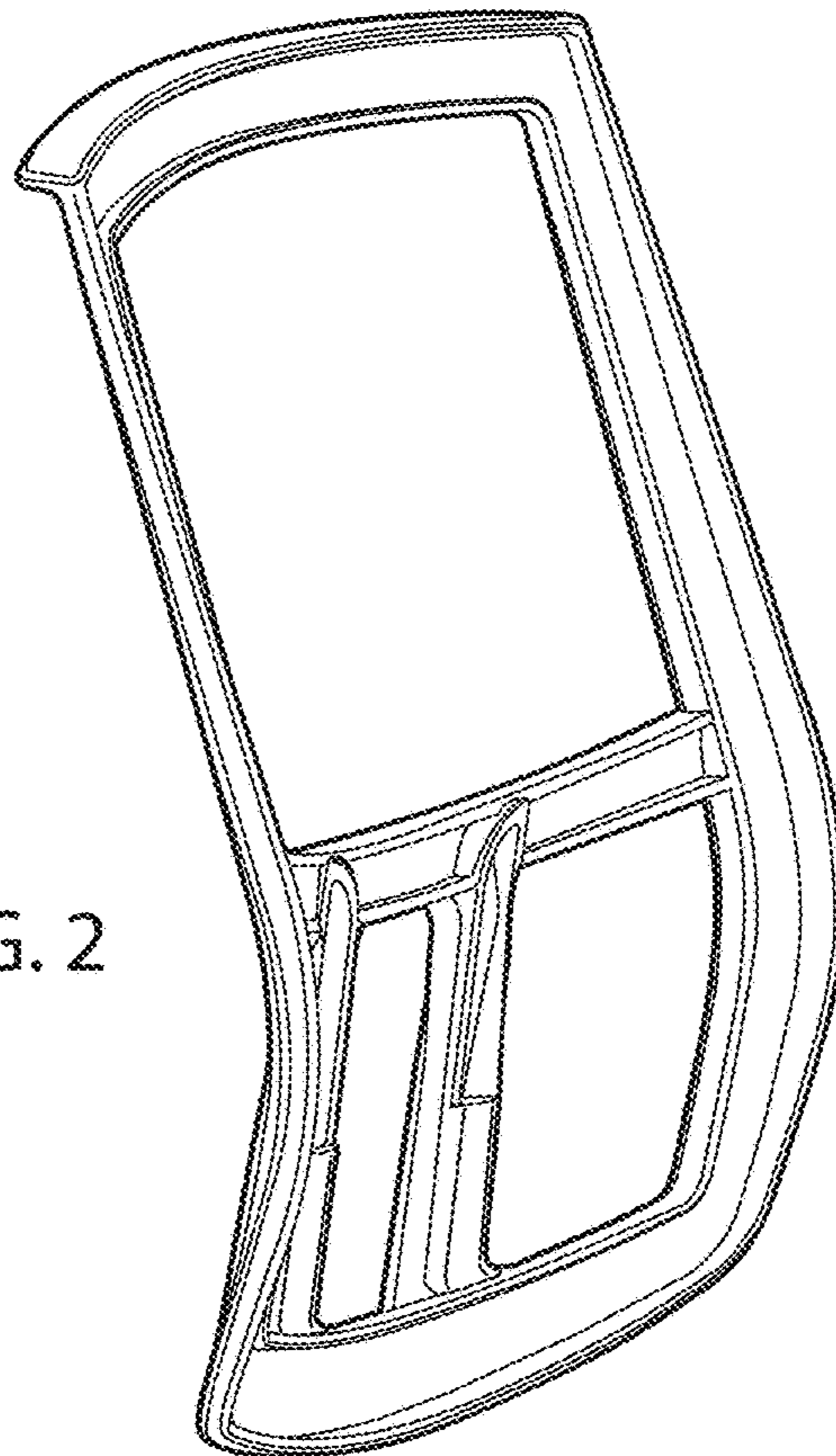


FIG. 2

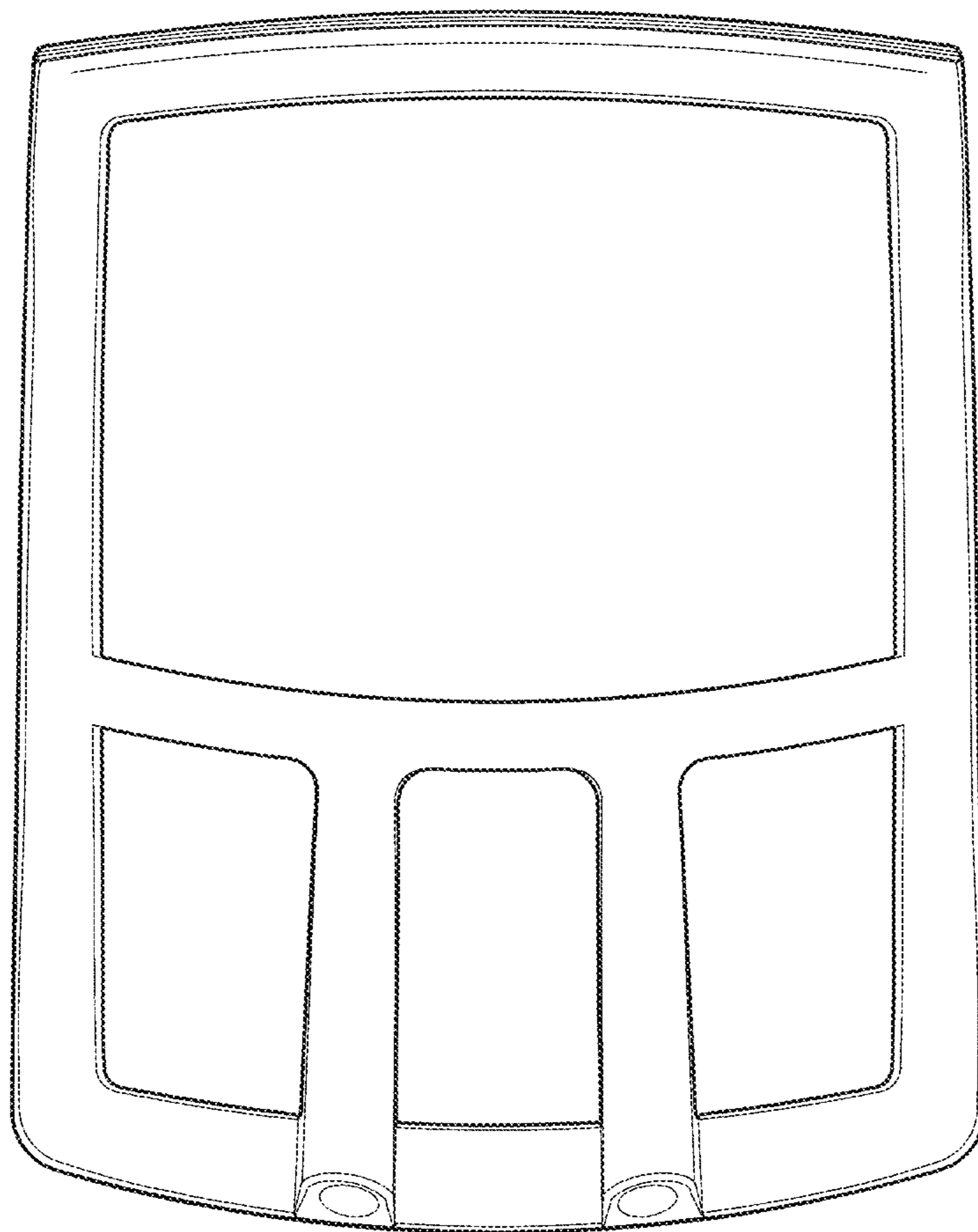


FIG. 3

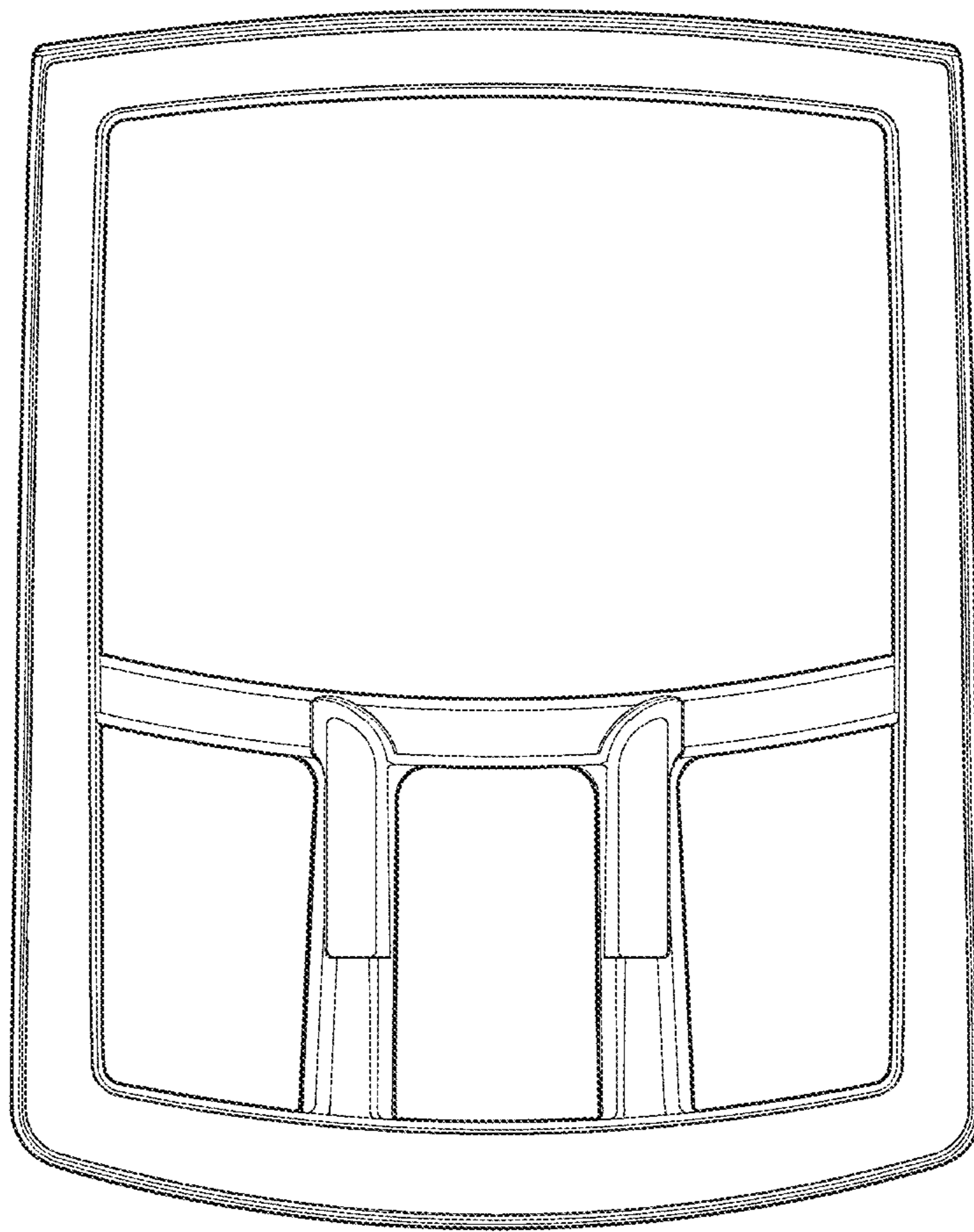


FIG. 4



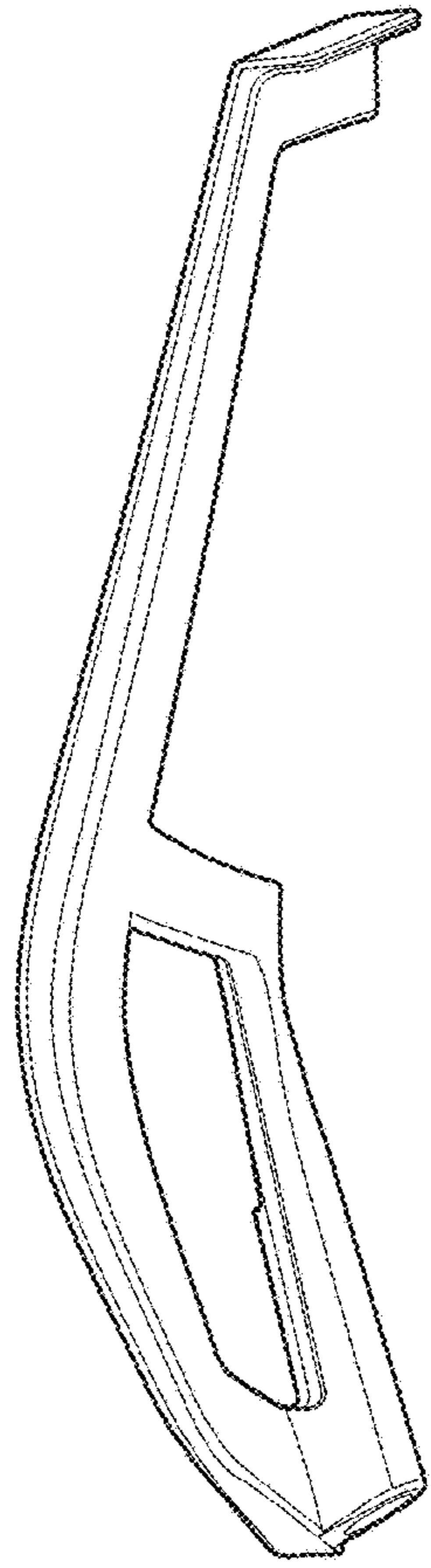


FIG. 5

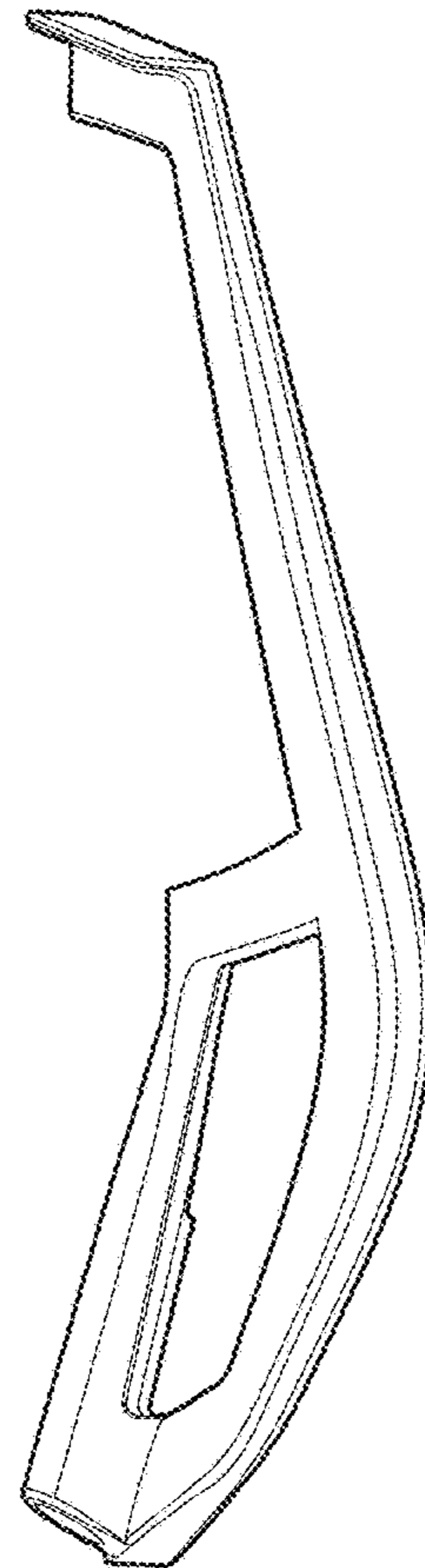


FIG. 6

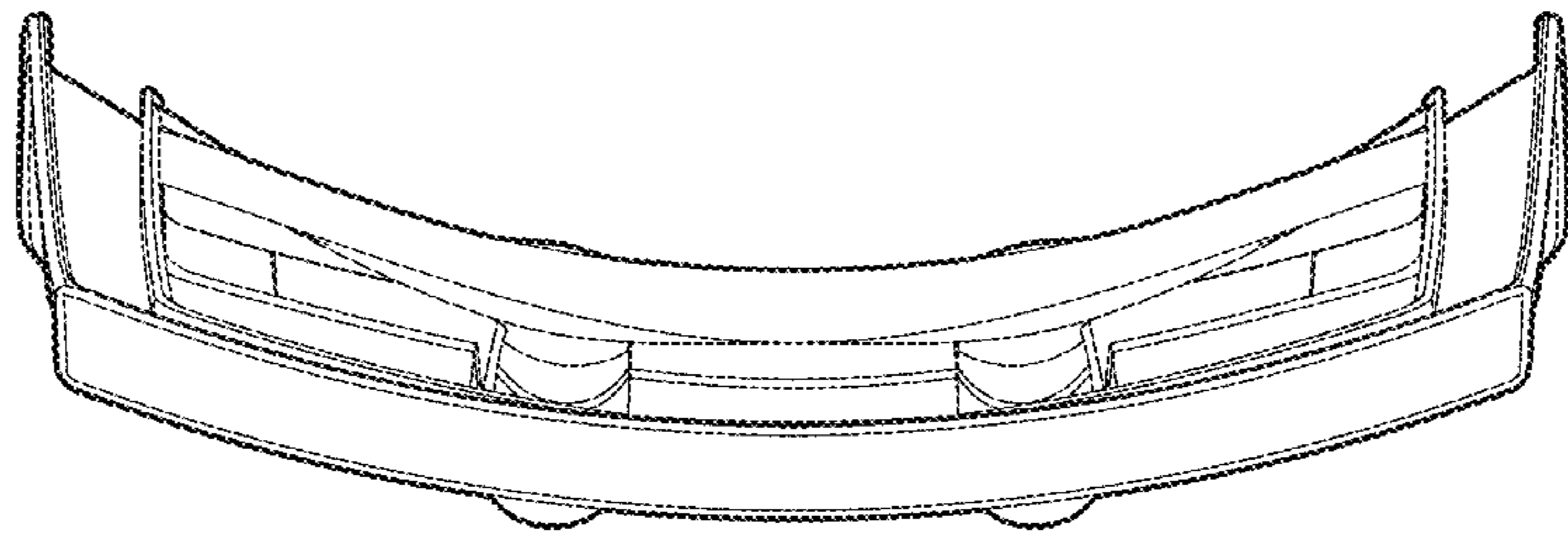


FIG. 7

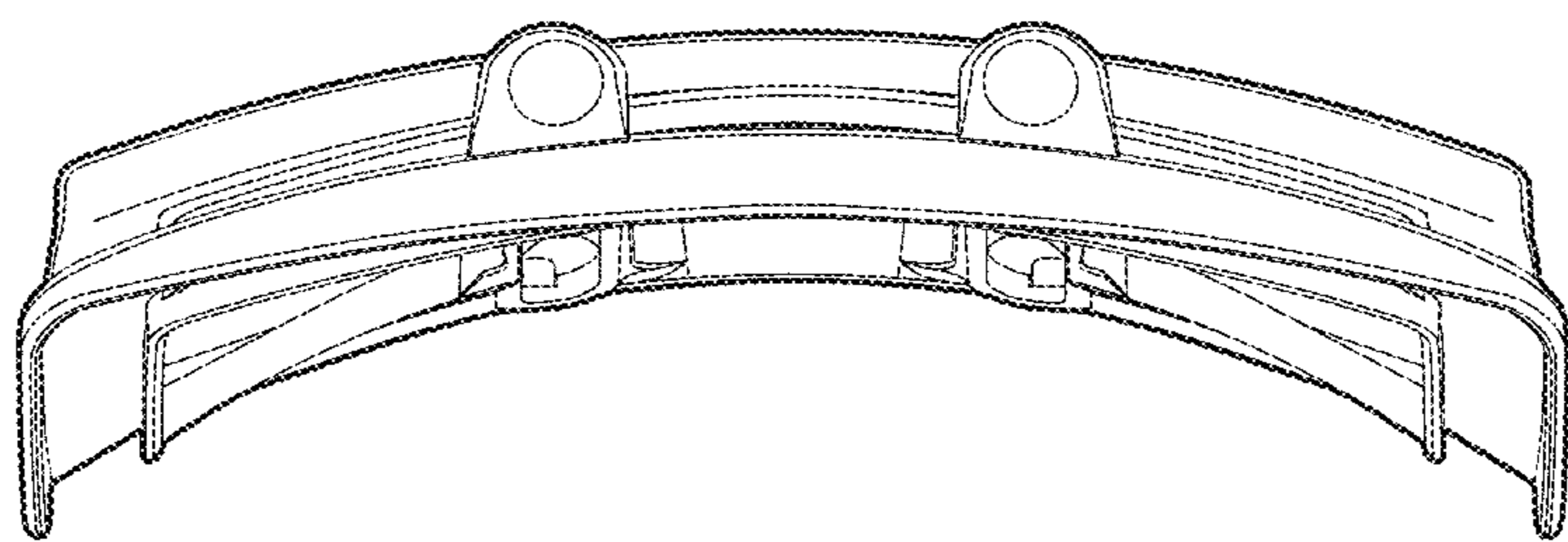


FIG. 8