



US00D774813S

(12) **United States Design Patent** (10) **Patent No.:** **US D774,813 S**
Lah (45) **Date of Patent:** **** Dec. 27, 2016**

(54) **CHAIR FRAME**

(71) Applicant: **Jeh-Kun Lah**, Seoul (KR)

(72) Inventor: **Jeh-Kun Lah**, Seoul (KR)

(**) Term: **14 Years**

(21) Appl. No.: **29/509,427**

(22) Filed: **Nov. 18, 2014**

(30) **Foreign Application Priority Data**

Jul. 7, 2014 (KR) 30-2014-0033183

(51) **LOC (10) Cl.** **06-01**

(52) **U.S. Cl.**
USPC **D6/708.16**

(58) **Field of Classification Search**
USPC D6/334-336, 368, 375, 716, 716.1,
D6/708.16
CPC A47C 4/28; A47C 4/286; A47C 4/22;
A47C 4/24; A47C 4/30; A47C
4/42; A47C 4/48; A47C 5/10; A47C
9/105

See application file for complete search history.

(56) **References Cited**

U.S. PATENT DOCUMENTS

2,712,349 A * 7/1955 Voir A47C 5/06
297/440.11
4,047,752 A * 9/1977 Rohr A47C 4/42
297/19
4,514,009 A * 4/1985 Vanderminden A47C 1/14
297/16.1
4,671,566 A * 6/1987 Knapp A47C 4/42
248/188.6
D380,306 S * 7/1997 Lin D6/363

D382,414 S * 8/1997 Lee D6/368
D720,954 S * 1/2015 Lah D6/708.16
9,066,597 B2 * 6/2015 Lee A47C 3/18
2007/0138842 A1 * 6/2007 Quicoy A47C 4/42
297/51
2013/0069397 A1 * 3/2013 Homans A47C 4/02
297/16.1

OTHER PUBLICATIONS

7 Camp Chairs You'll Actually Want to Pack in. [online] Published date May 21, 2014. Retrieved on Sep. 13, 2016 from <URL: <http://www.outsideonline.com/1923336/7-camp-chairs-youll-actually-want-pack>>.*

* cited by examiner

Primary Examiner — Vy Koenig
Assistant Examiner — Omeed Agilee
(74) *Attorney, Agent, or Firm* — Nixon Peabody LLP;
Jeffrey L. Costellia

(57) **CLAIM**

The ornamental design for a chair frame, as shown and described.

DESCRIPTION

FIG. 1 is a perspective view of new design for a chair frame as shown in the drawings;
FIG. 2 is a front elevation view thereof;
FIG. 3 is a rear elevation view thereof;
FIG. 4 is a left side view thereof;
FIG. 5 is a right side view thereof;
FIG. 6 is a top plan view thereof;
FIG. 7 is a bottom plan view thereof; and,
FIG. 8 is a perspective view with the broken lines illustrating an attached fabric seat that forms no part of the claimed design.

1 Claim, 8 Drawing Sheets

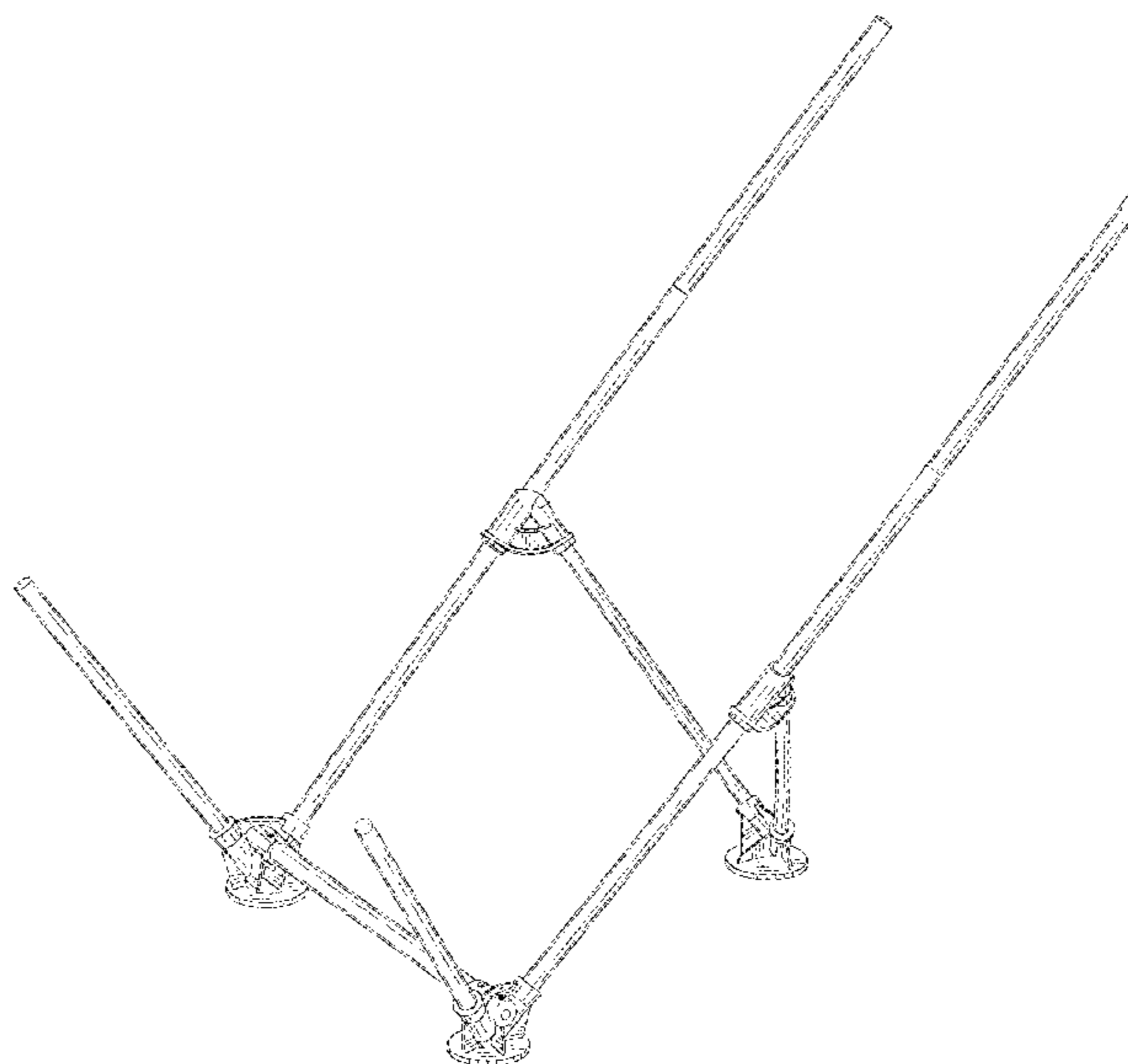


Fig. 1

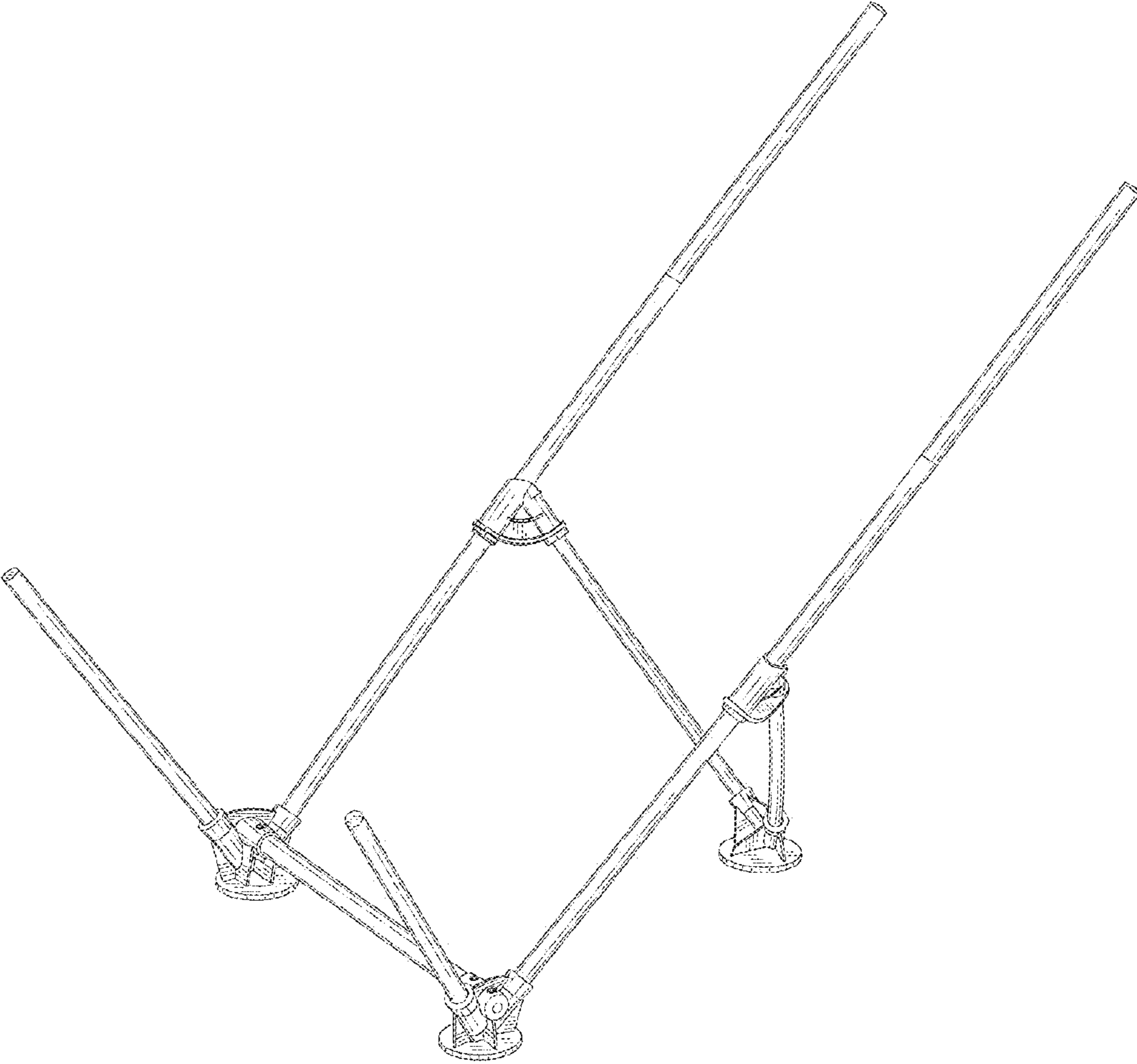


Fig. 2

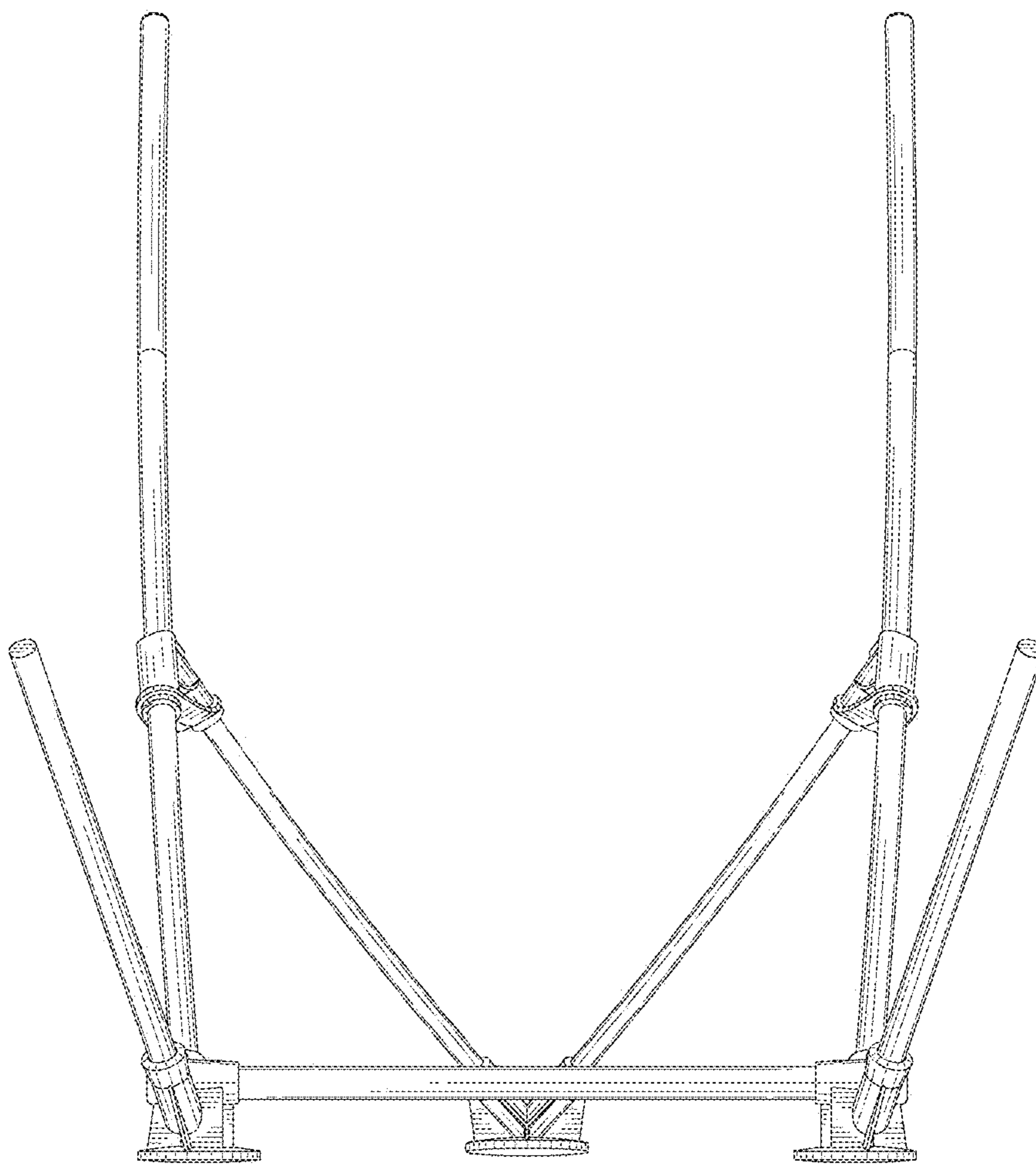


Fig. 3

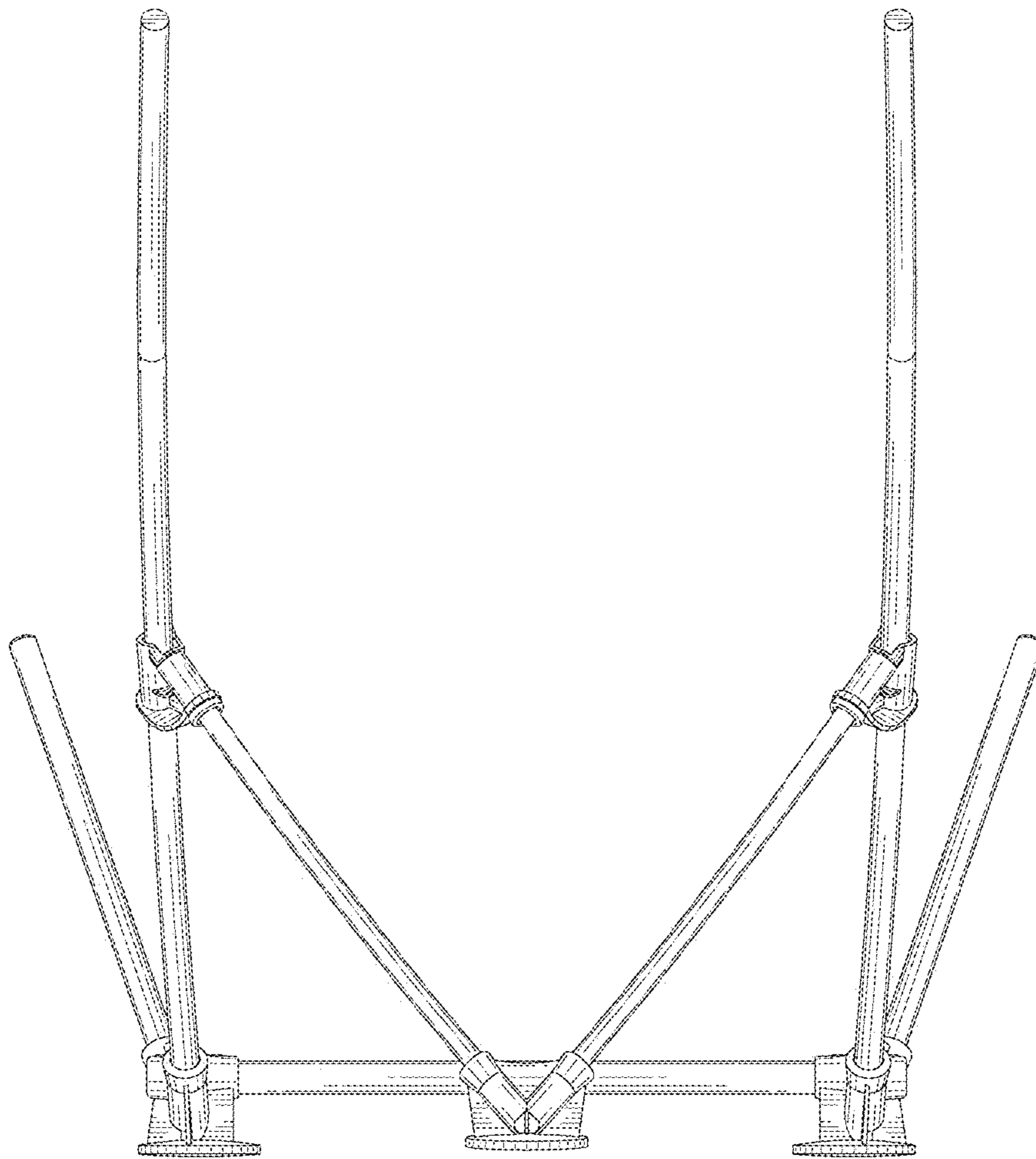


Fig. 4

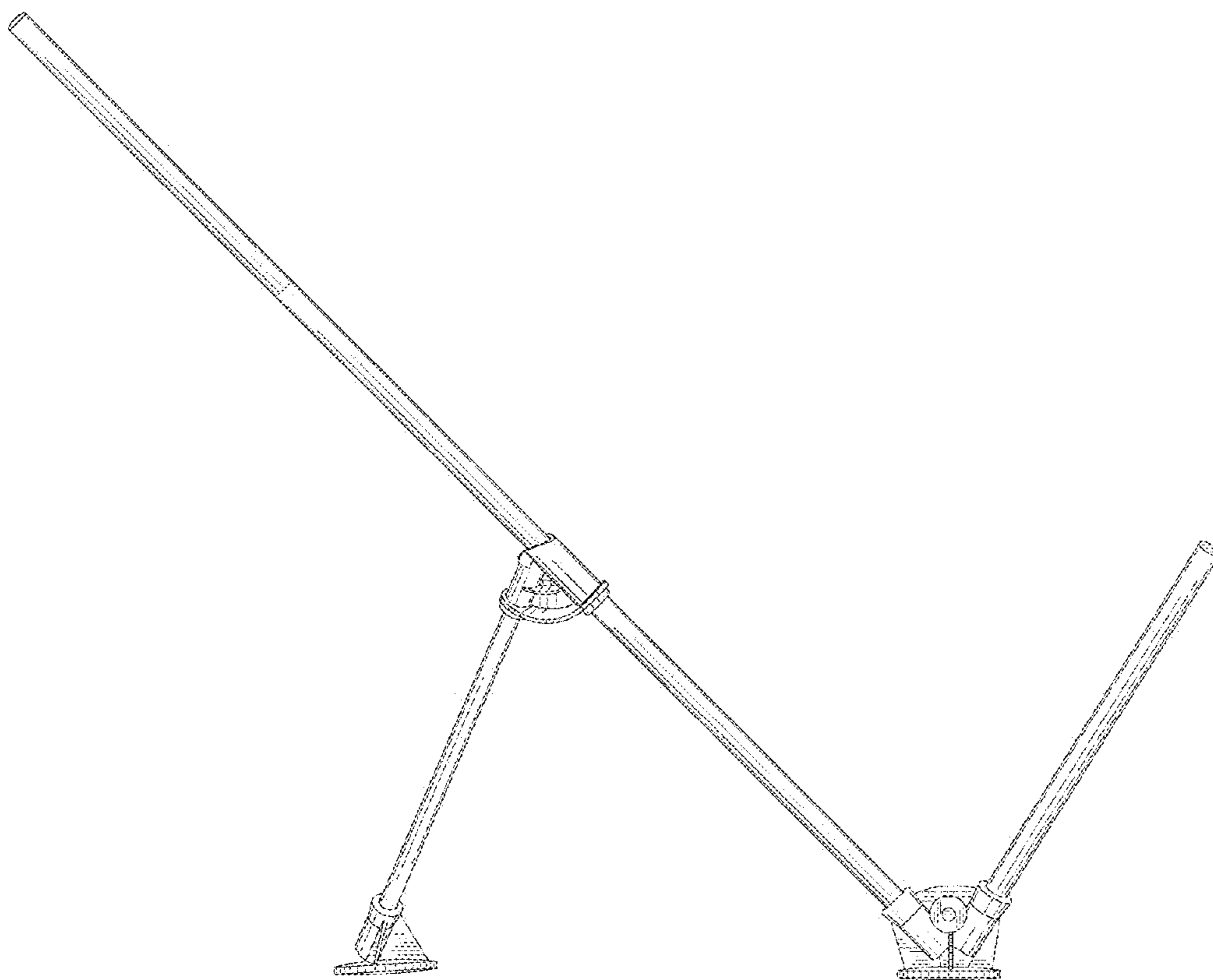


Fig. 5

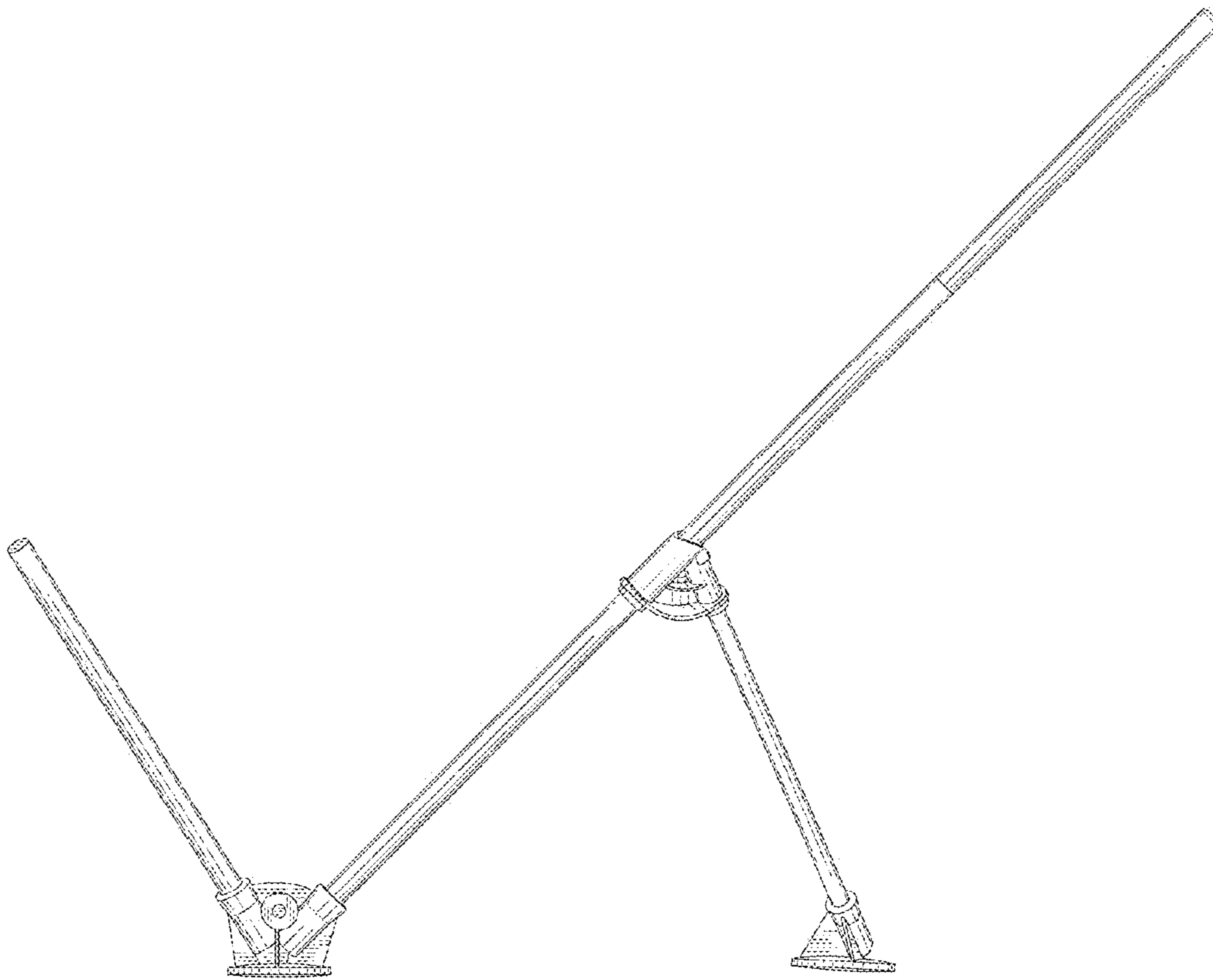


Fig. 6

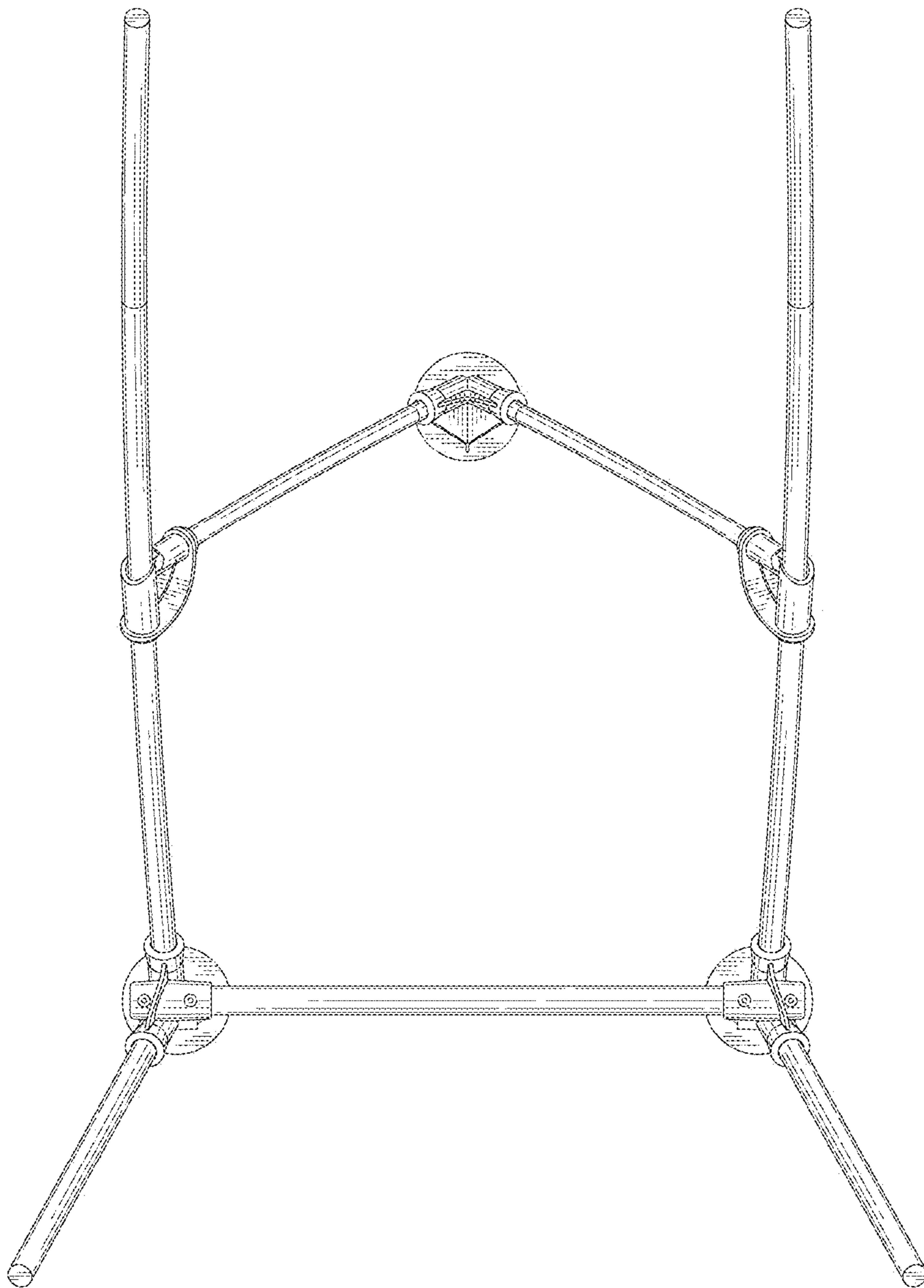


Fig. 7

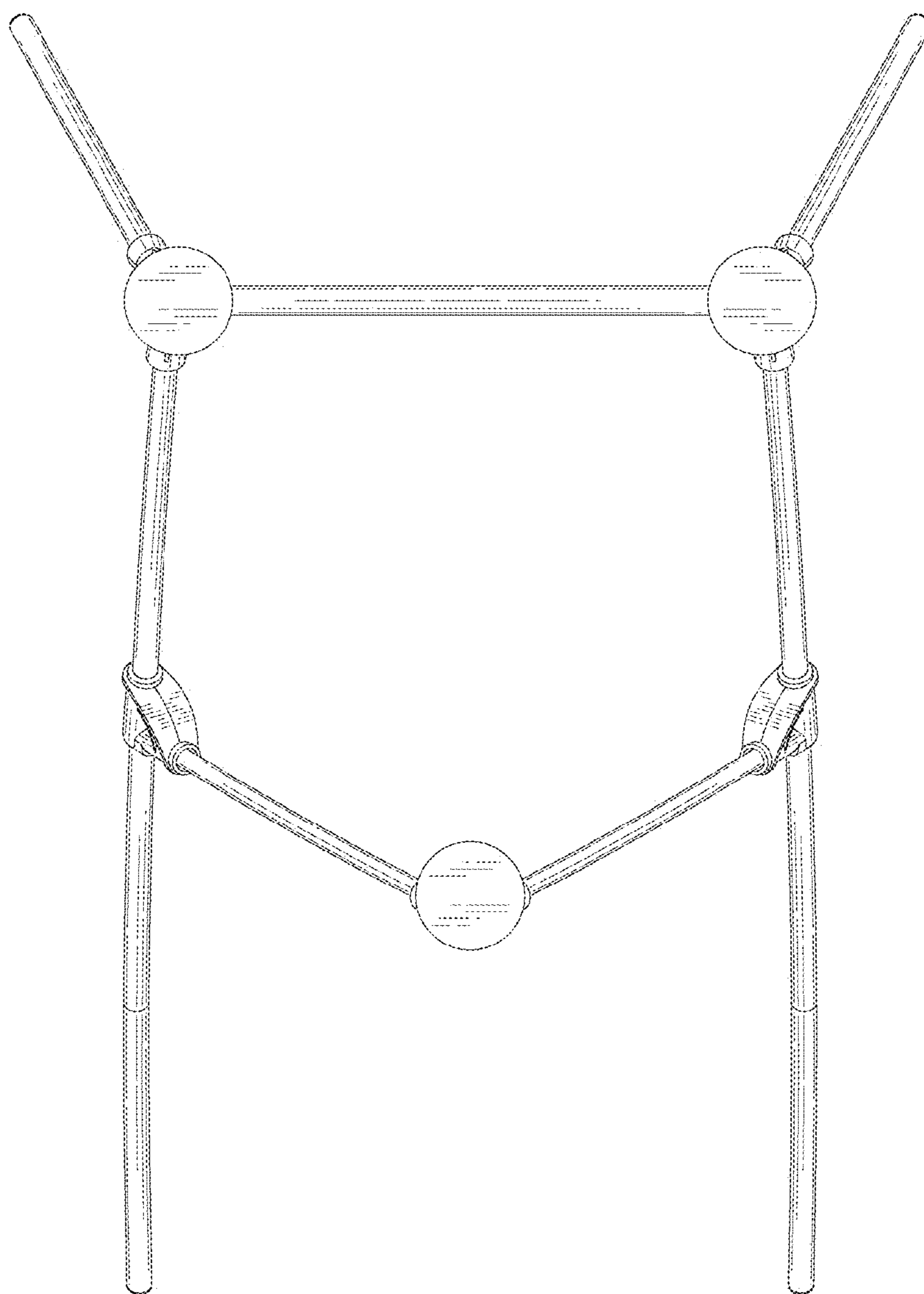


Fig. 8

