



US00D774812S

(12) **United States Design Patent** (10) **Patent No.:** **US D774,812 S**
Nafziger et al. (45) **Date of Patent:** **** Dec. 27, 2016**

(54) **STANDING DESK**

(71) Applicants: **Joseph Daniel Nafziger**, San Diego, CA (US); **Benjamin Andrew Larson**, San Diego, CA (US)

(72) Inventors: **Joseph Daniel Nafziger**, San Diego, CA (US); **Benjamin Andrew Larson**, San Diego, CA (US)

(**) Term: **14 Years**

(21) Appl. No.: **29/525,699**

(22) Filed: **May 1, 2015**

(51) **LOC (10) Cl.** **06-03**

(52) **U.S. Cl.**
USPC **D6/698**

(58) **Field of Classification Search**
USPC D6/641, 644, 648, 648.2, 648.4, 649, D6/650, 651, 651.1, 653.21, 654, 654.21, D6/655, 655.1, 655.14, 655.21, 656, D6/656.16, 656.17, 672, 675, 675.3, 685, D6/691, 691.3, 691.5, 691.9, 695, 695.1, D6/696, 697, 698, 705, 350, 332, 555, D6/643, 643.1, 707, 707.18, 707.22; D14/432, 434, 439, 447, 448, 451, 452, D14/457; D25/65
CPC A47B 1/08; A47B 7/00; A47B 9/00; A47B 9/06; A47B 9/12; A47B 9/16; A47B 9/20; A47B 21/00; A47B 21/02; A47B 21/04; A47B 13/088; A47B 13/10; A47B 21/0314; A47B 2021/0321; A47B 2021/0364; A47B 9/10; A47B 9/14
See application file for complete search history.

(56) **References Cited**

U.S. PATENT DOCUMENTS

4,109,961 A * 8/1978 Opsvik A47C 3/20 108/110
D295,474 S * 5/1988 Uredat-Neuhoff D6/656.16
D441,094 S * 4/2001 Hawe D25/65
D646,910 S * 10/2011 Portnoy D6/675.3

D653,057 S * 1/2012 Sexton D6/675.1
D671,337 S * 11/2012 Sexton D6/675.3
8,671,853 B2 * 3/2014 Flaherty 108/138
D702,063 S * 4/2014 Helser D6/678.2
D737,079 S * 8/2015 Tsai D6/675.3

OTHER PUBLICATIONS

‘Standing Up for an Idea’. thereadydesk.com [online]. Sep. 16, 2015 [retrieved Aug. 11, 2016]. Retrieved from the Internet: <URL: <http://www.thereadydesk.com/blog/standing-up-for-an-idea>>.*

* cited by examiner

Primary Examiner — Mary Ann Calabrese
Assistant Examiner — Megan M Majcher Hartnett
(74) *Attorney, Agent, or Firm* — Procopio Cory Hargreaves and Savitch LLP

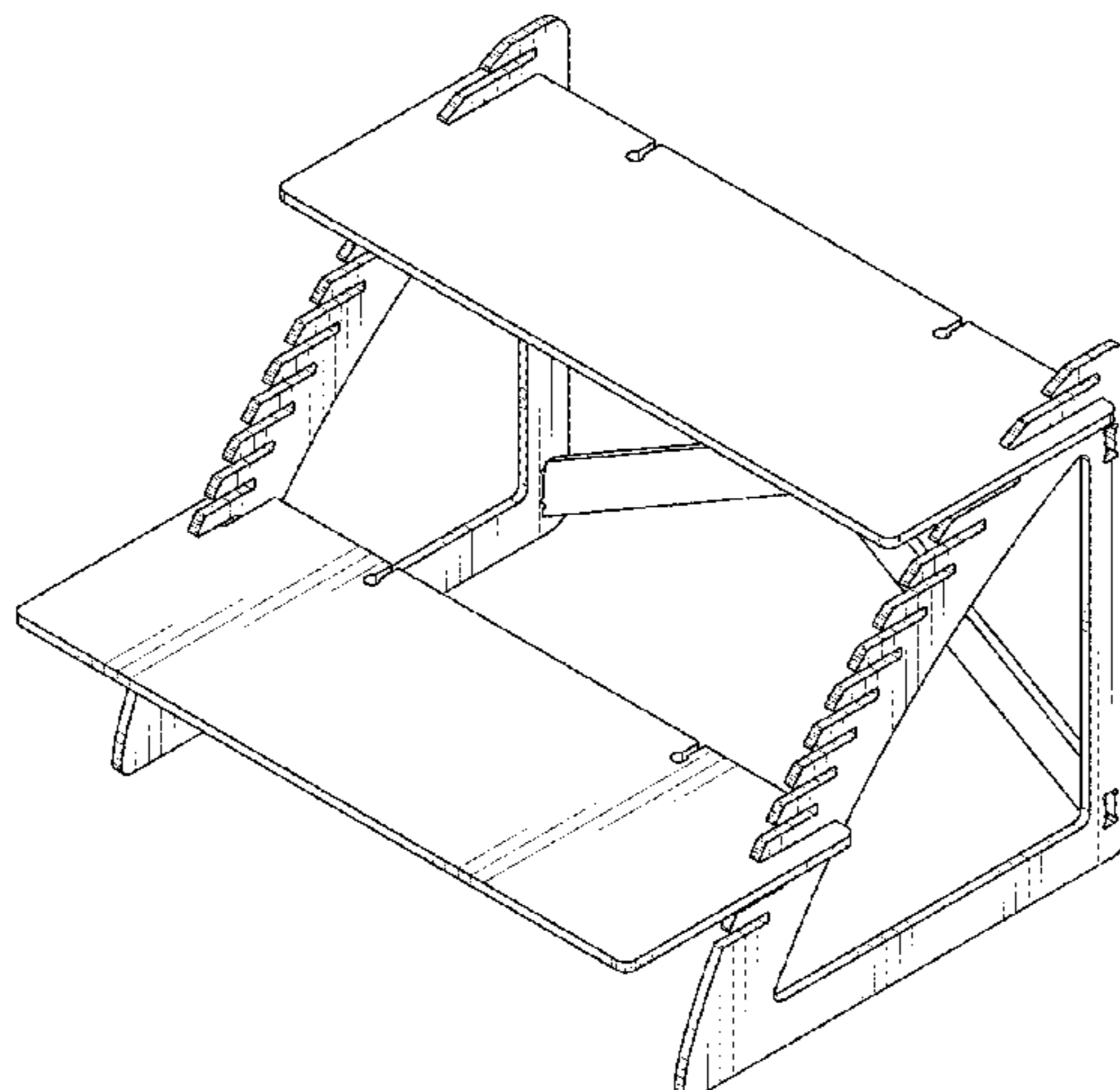
(57) **CLAIM**

The ornamental design for a standing desk, as shown and described.

DESCRIPTION

FIG. 1 is a perspective of the standing desk;
FIG. 2 is a front elevational view of the standing desk;
FIG. 3 is a rear elevational view of the standing desk;
FIG. 4 is a left side elevational view of the standing desk;
FIG. 5 is a right side elevational view of the standing desk;
FIG. 6 is a top plan view of the standing desk; and,
FIG. 7 is a bottom plan view of the standing desk.

1 Claim, 5 Drawing Sheets



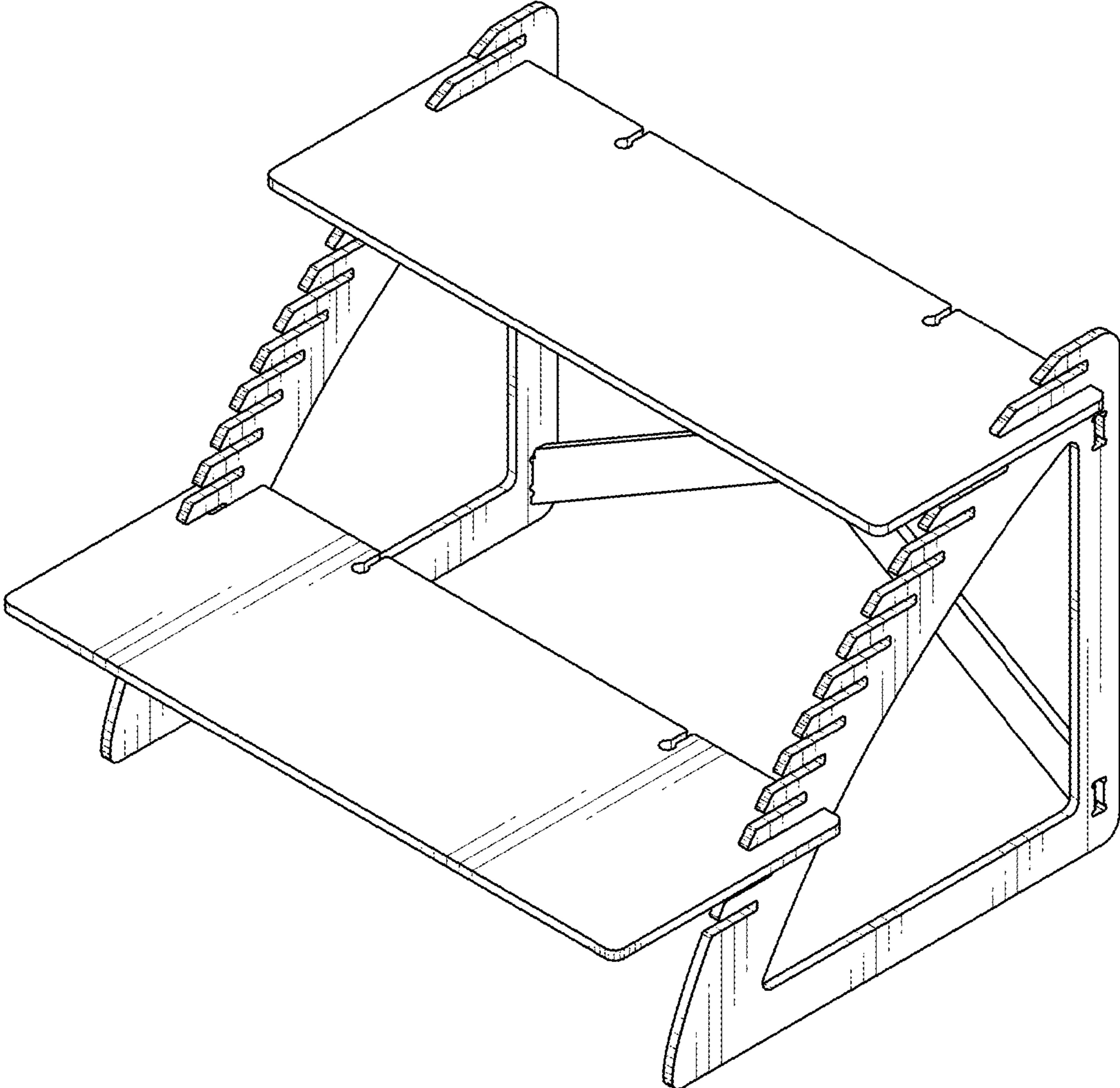


FIG. 1

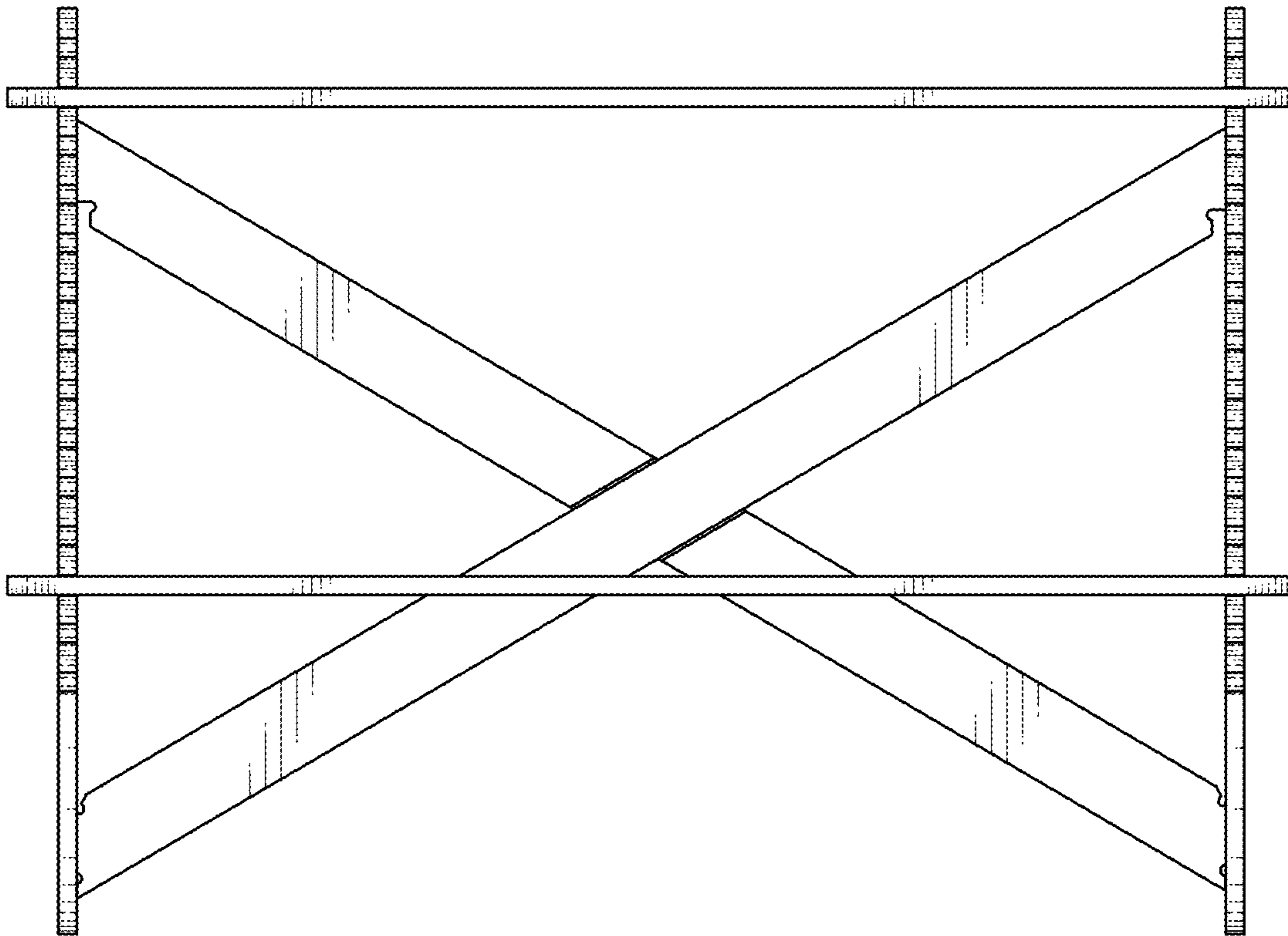


FIG. 2

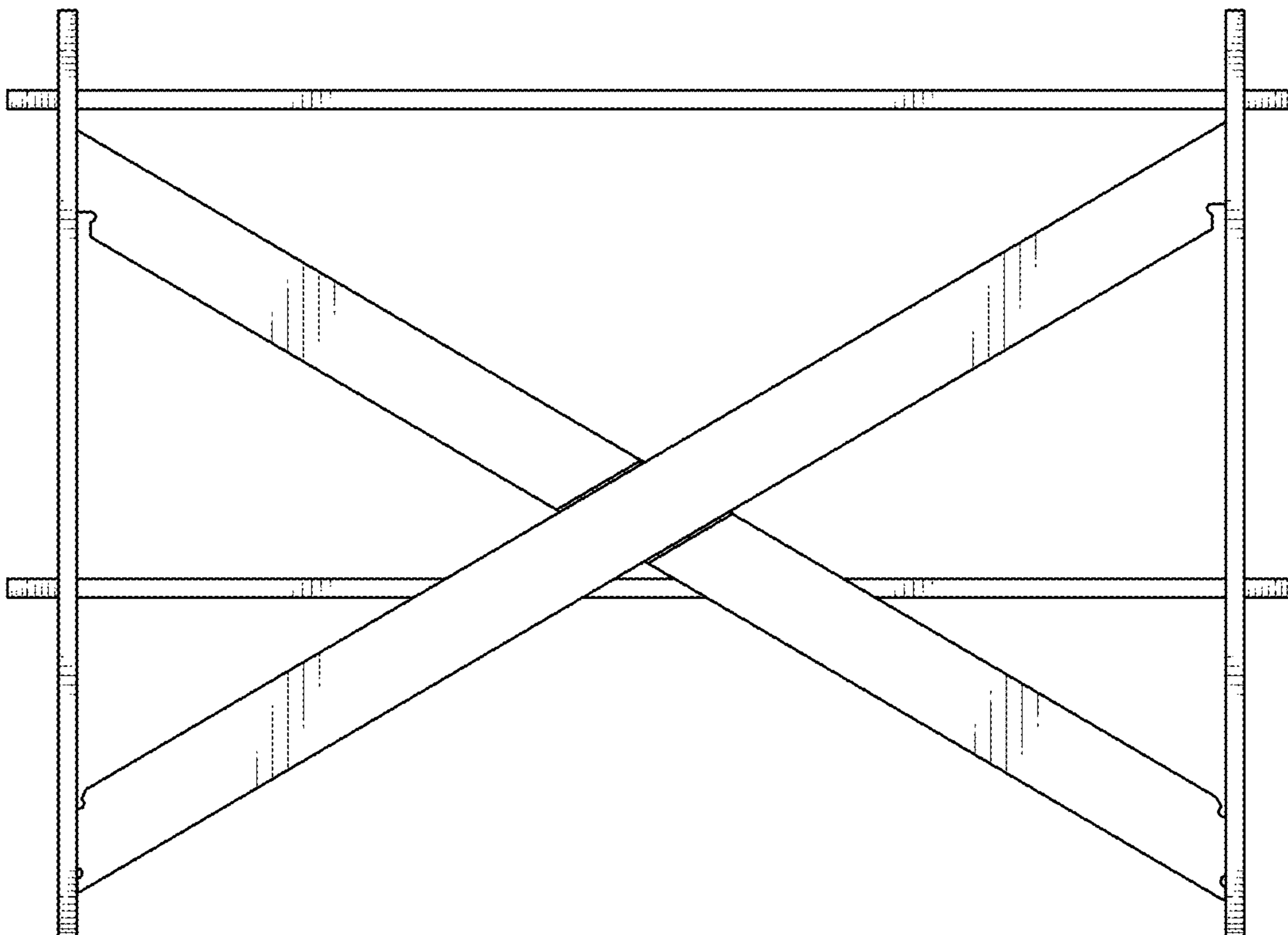


FIG. 3

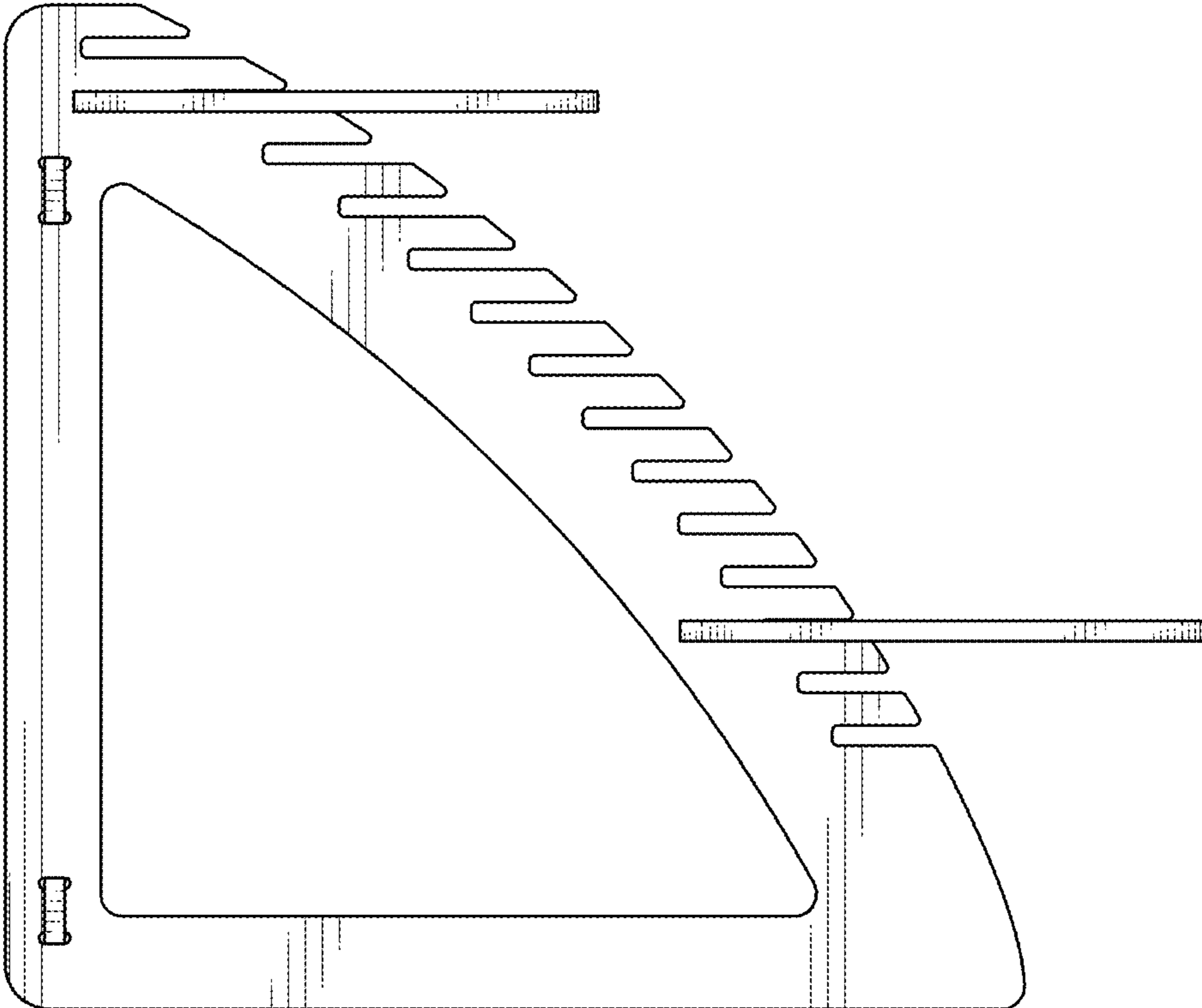


FIG. 4

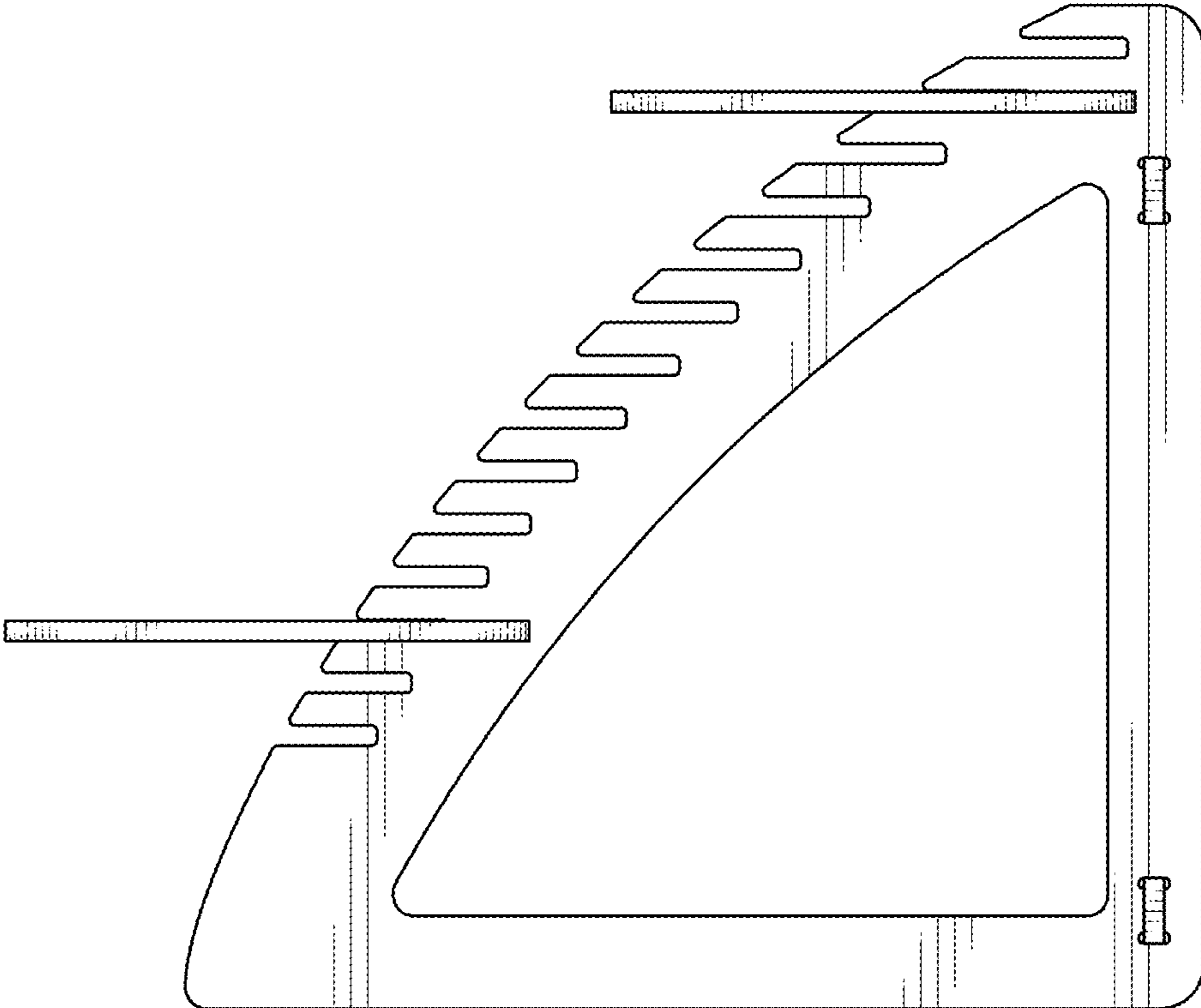


FIG. 5

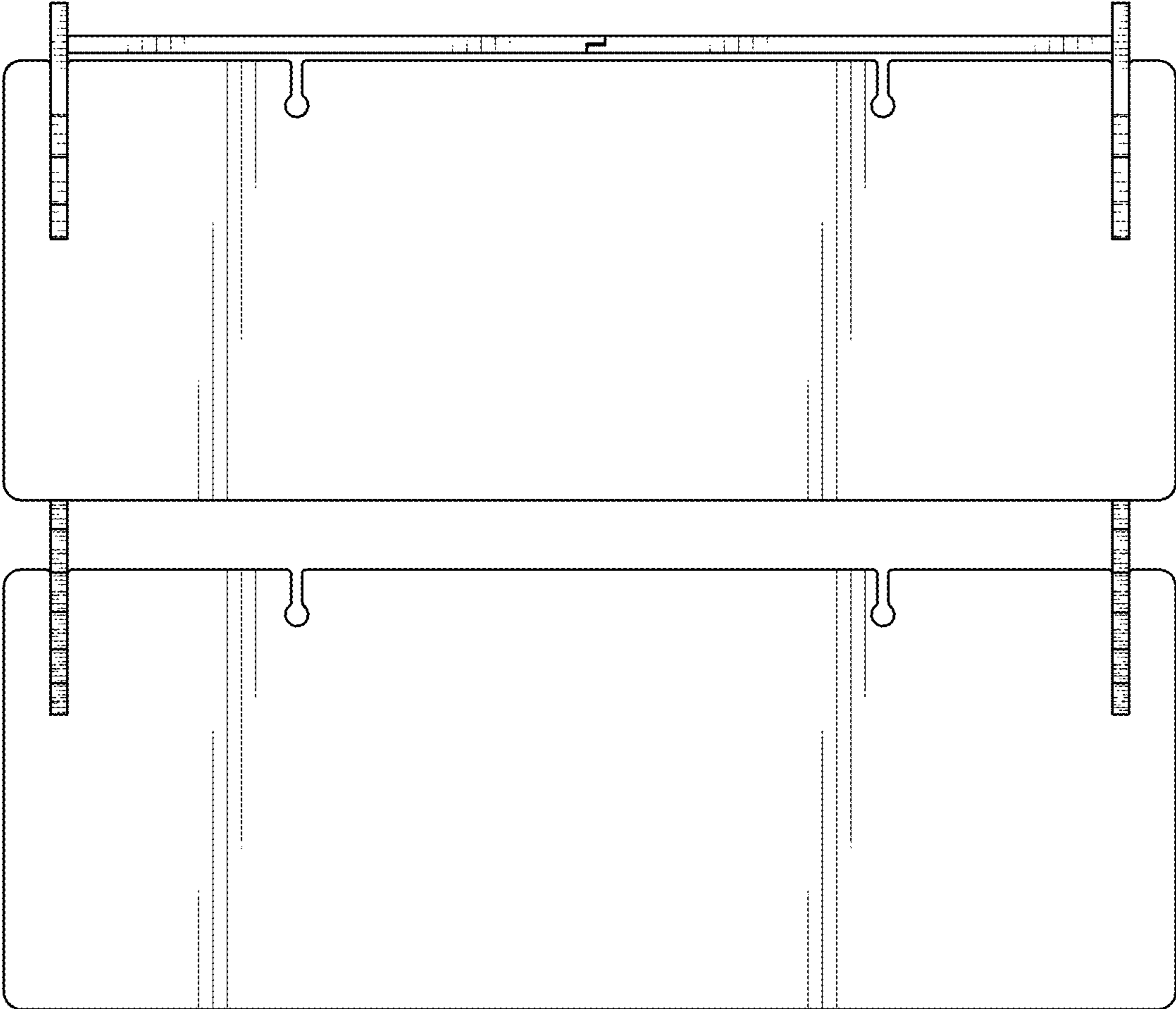


FIG. 6

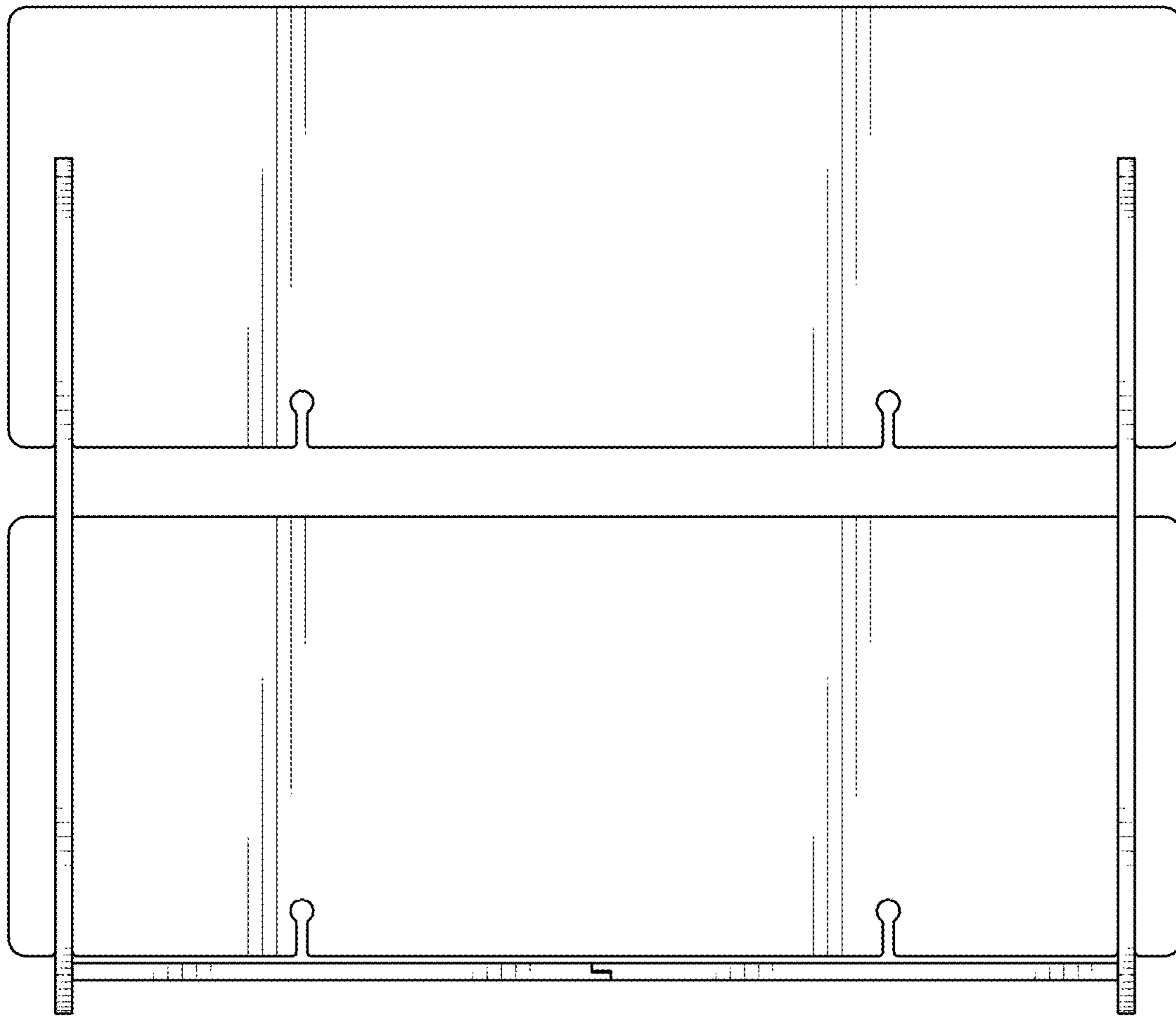


FIG. 7