



US00D774811S

(12) **United States Design Patent**
Reybier et al.

(10) **Patent No.:** **US D774,811 S**

(45) **Date of Patent:** **** Dec. 27, 2016**

(54) **TABLE**

(71) Applicant: **FERMOB**, Saint Didier sur Chalaronne (FR)

(72) Inventors: **Bernard Reybier**, Dommartin (FR);
Alessandra Baldereshi, Milan (FR)

(73) Assignee: **FERMOB**, Saint-Didier-sur-Chalaronne (FR)

(**) Term: **14 Years**

(21) Appl. No.: **29/504,574**

(22) Filed: **Oct. 7, 2014**

(30) **Foreign Application Priority Data**

Apr. 7, 2014 (WO) DM/083 325

(51) **LOC (10) Cl.** **06-03**

(52) **U.S. Cl.**
USPC **D6/691.6**

(58) **Field of Classification Search**
USPC D6/641, 647, 650, 653, 656.19, 683.1, 685,
D6/688.12, 688.15, 688.24, 691,
D6/691.1, 691.3, 691.6, 696, 697, 707.19,
D6/707.22
CPC A47B 1/00; A47B 13/00; A47B 13/08;
A47B 17/00; A47B 37/00; A47B 96/00;
A47B 96/18; A47B 97/00
See application file for complete search history.

(56) **References Cited**

U.S. PATENT DOCUMENTS

D113,409 S * 2/1939 Vavrik D6/691.6
D155,125 S * 9/1949 Castelli D6/691

D171,620 S * 3/1954 Roth D6/691.6
D174,029 S * 2/1955 Fairmont et al. D6/691.6
D174,779 S * 5/1955 Smith D6/691.6
2,746,823 A * 5/1956 Sand A47B 3/12
248/165
D183,660 S * 10/1958 Palmer D6/708.16
4,041,881 A * 8/1977 Textoris A47B 13/06
108/159
D291,514 S * 8/1987 Strousse D6/691.6
D325,834 S * 5/1992 Fredrick D6/691.6
D365,700 S * 1/1996 Lee D6/403
D372,383 S * 8/1996 Saldana D6/692.5
D372,384 S * 8/1996 Saldana D6/692.5
D718,561 S * 12/2014 Velez D6/708.16

* cited by examiner

Primary Examiner — Mary Ann Calabrese

Assistant Examiner — Jennifer L Rempfer

(74) *Attorney, Agent, or Firm* — Cantor Colburn LLP

(57) **CLAIM**

We claim, the ornamental design for a table, as shown and described.

DESCRIPTION

FIG. 1 is a front perspective view of a table, showing our new design;

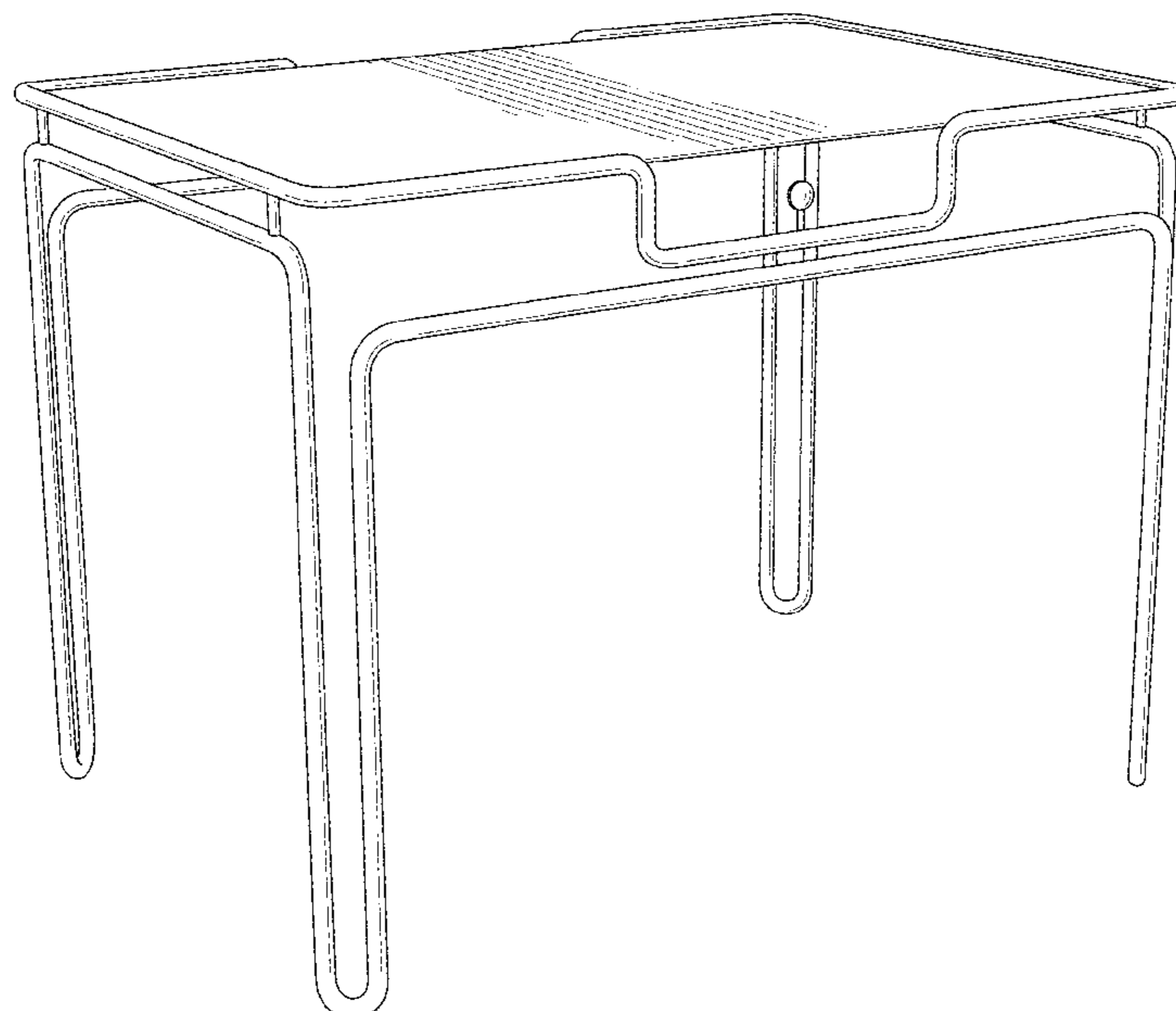
FIG. 2 is front view thereof;

FIG. 3 is a side view thereof, the opposite side being a mirror image thereof;

FIG. 4 is a rear perspective view thereof; and,

FIG. 5 is a top view thereof.

1 Claim, 5 Drawing Sheets



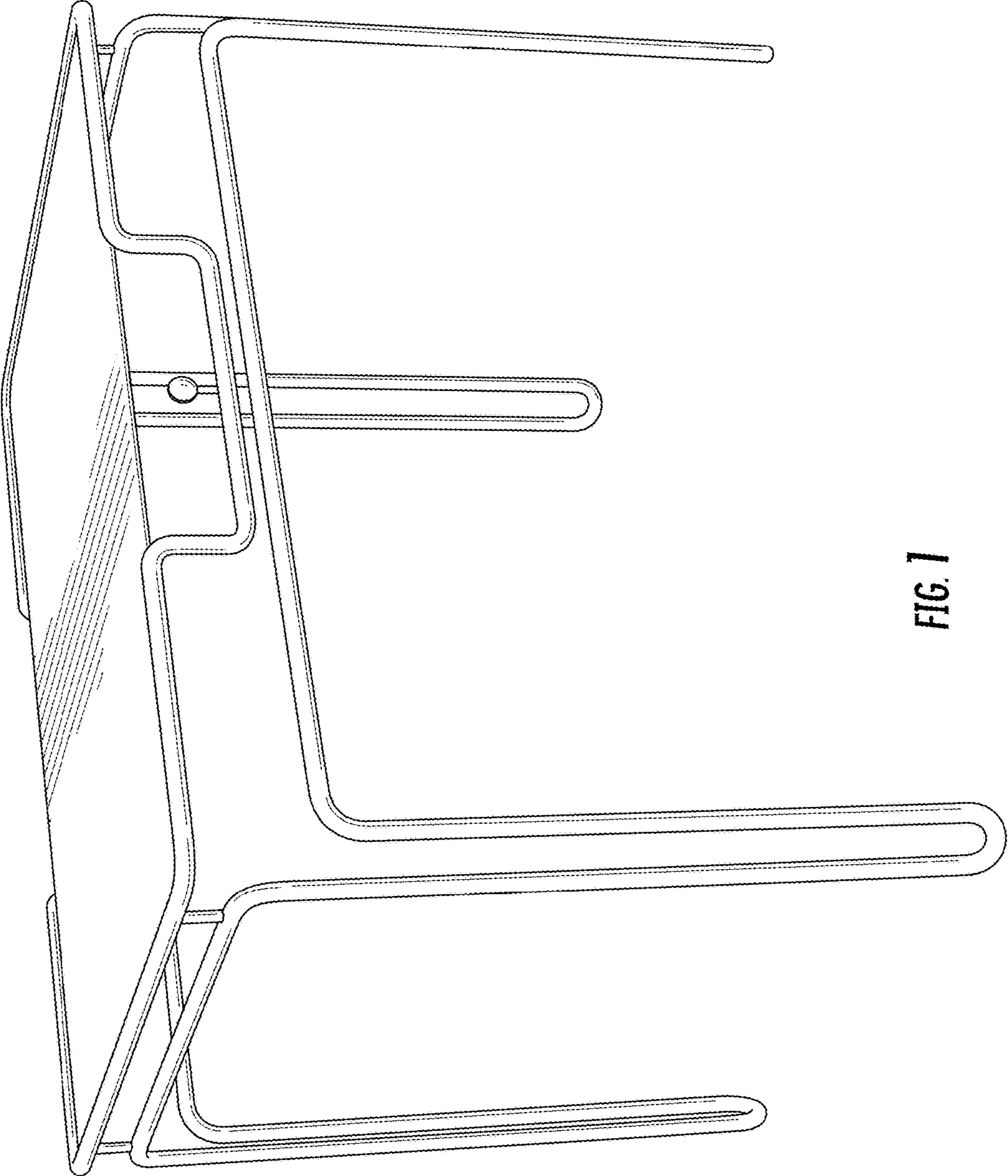


FIG. 1

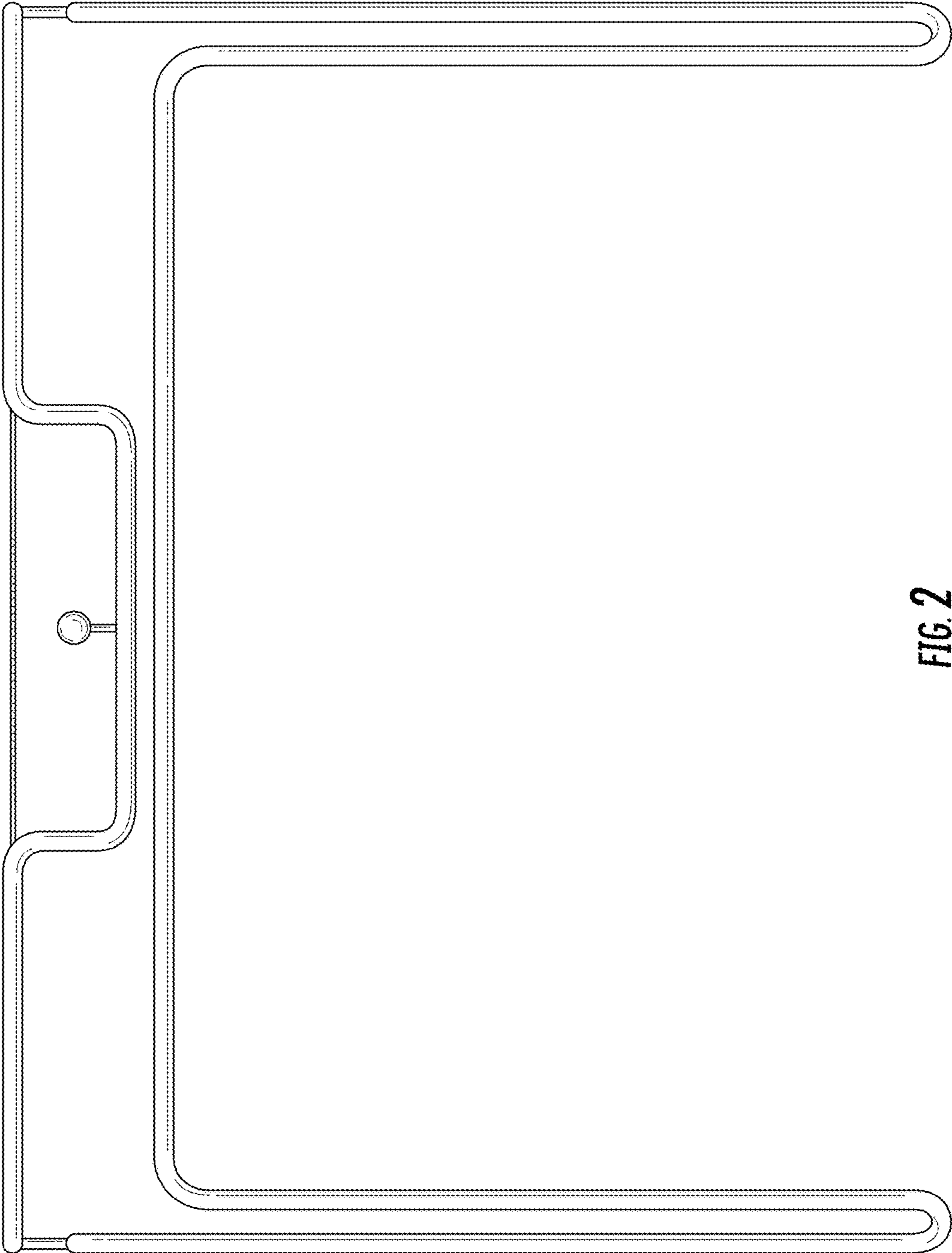


FIG. 2



FIG. 3

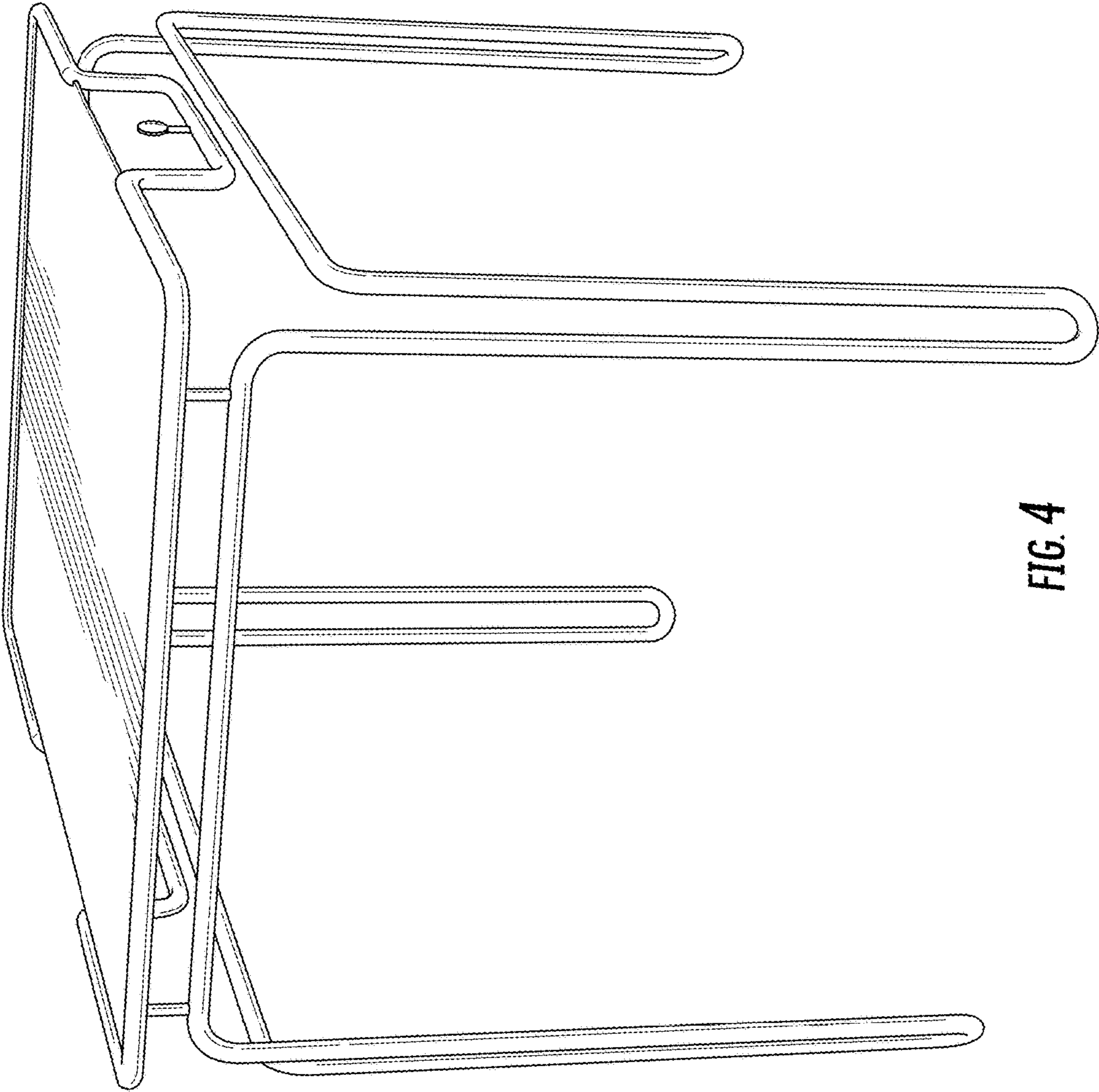


FIG. 4

FIG. 5

