



US00D774810S

(12) **United States Design Patent** (10) **Patent No.:** **US D774,810 S**
Biddle et al. (45) **Date of Patent:** **** Dec. 27, 2016**

(54) **TABLE** 3,525,492 A * 8/1970 Kaufman A47B 23/046
108/115
(71) Applicant: **Steelcase Inc.**, Grand Rapids, MI (US) 3,682,112 A 8/1972 Emrick
3,854,428 A * 12/1974 Fullenkamp A47B 9/00
108/136
(72) Inventors: **Fredric J Biddle**, Kalamazoo, MI (US);
Mark McKenna, Grand Rapids, MI
(US) D261,837 S 11/1981 Sonder et al.
D270,588 S 9/1983 Kemple
4,545,144 A 10/1985 Schuster
D295,348 S 4/1988 Muller
D296,851 S 7/1988 Kelley
D314,878 S 2/1991 Hart
RE33,645 E 7/1991 Coote
(Continued)

(21) Appl. No.: **29/501,299**

FOREIGN PATENT DOCUMENTS

(22) Filed: **Sep. 3, 2014**

WO 2004098351 A1 11/2004

(51) **LOC (10) Cl.** **06-03**

(52) **U.S. Cl.**

OTHER PUBLICATIONS

USPC **D6/691.4**

(58) **Field of Classification Search**

USPC ... D6/349, 351, 641, 649, 650, 656, 656.11,
D6/656.13, 656.15, 678, 685, 686, 688,
D6/688.1, 688.24, 688.26, 688.27, 691,
D6/691.1, 691.5, 692, 692.3, 695, 696,
D6/696.1, 696.2, 696.3, 705, 708, 708.1,
D6/708.11, 708.13, 709, 709.1, 709.11,
D6/709.13, 645, 697, 406.3, 406.4, 406.5,
D6/406.6, 406.1, 406.2, 691.4
CPC A47B 1/00; A47B 1/08; A47B 2203/0821;
A47B 7/00; A47B 9/00; A47B
9/04; A47B 9/10; A47B 9/12; A47B 9/16;
A47B 13/00; A47B 2013/026; A47B
13/023; A47B 13/04; A47B 13/06; A47B
19/06; A47B 21/02; A47B
21/0314; A47B 2021/03

'New Adjustable Laptop Computer Desk / Stand / Table'. amazon.
co.uk [online]. Apr. 11, 2010 [retrieved Jul. 29, 2016]. Retrieved
from the Internet: <URL: [https://www.amazon.co.uk/
AdjustableLaptopComputerStandTable/dp/B00BTL5982](https://www.amazon.co.uk/AdjustableLaptopComputerStandTable/dp/B00BTL5982)>.*

(Continued)

Primary Examiner — Karen Kearney
Assistant Examiner — Megan M Majcher Hartnett

(57) **CLAIM**

We claim the ornamental design for a table, as shown and
described.

DESCRIPTION

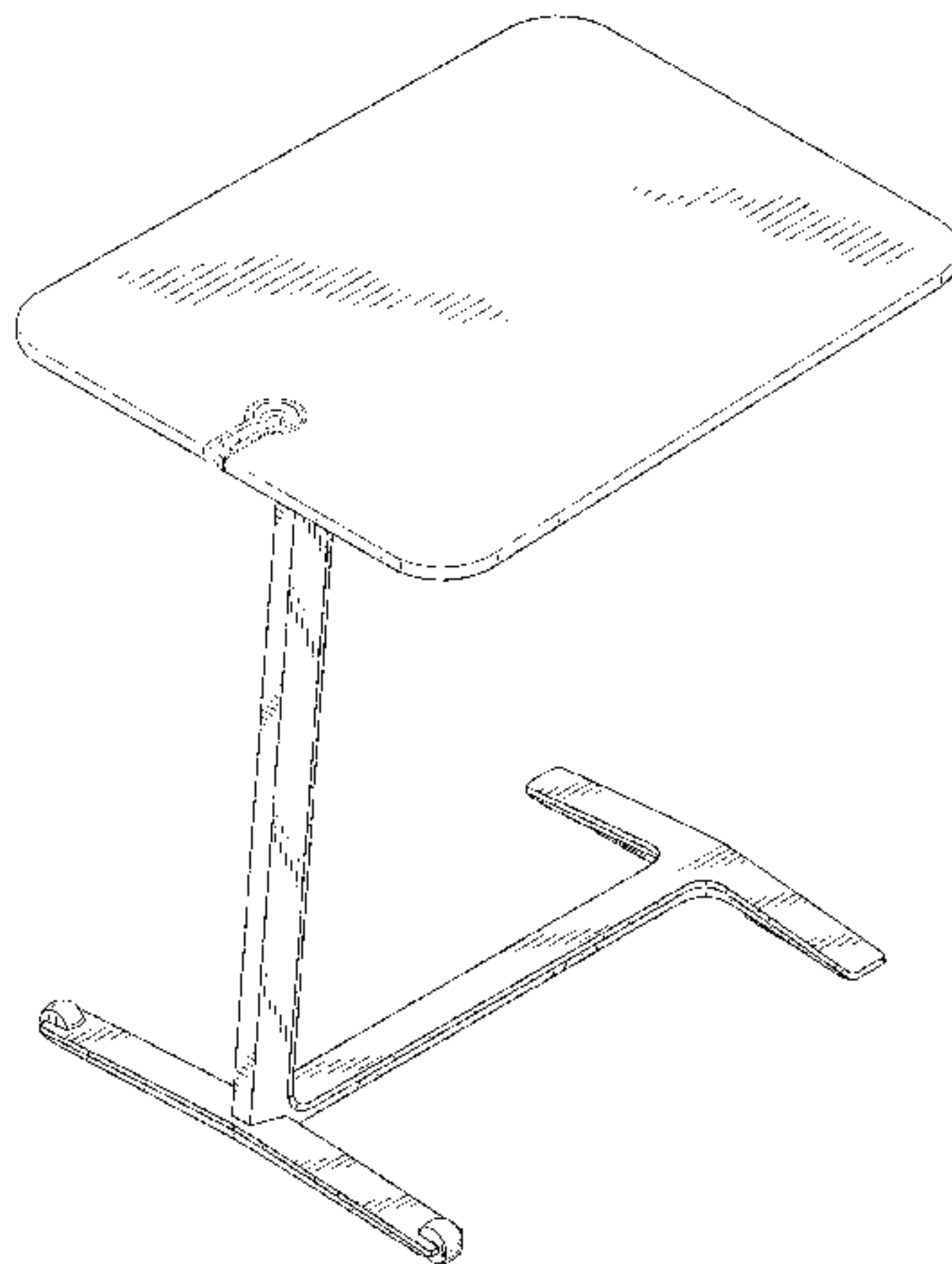
FIG. 1 is a front perspective view of a table, according to an
embodiment;
FIG. 2 is a bottom perspective view of a table of FIG. 1;
FIG. 3 is a front perspective view of a table of FIG. 1;
FIG. 4 is a rear perspective view of a table of FIG. 1;
FIG. 5 is a right side view of a table of FIG. 1, the left side
view is a mirror image of the right side view of FIG. 5;
FIG. 6 is a top view of a table of FIG. 1; and,
FIG. 7 is a bottom view of a table of FIG. 1.

1 Claim, 7 Drawing Sheets

(56) **References Cited**

U.S. PATENT DOCUMENTS

D122,925 S 10/1940 Holden et al.
2,357,588 A 9/1944 Hillenbrand
D169,460 S * 4/1953 Smith D6/406.2
D190,082 S 4/1961 Chervenka et al.



(56)

References Cited

U.S. PATENT DOCUMENTS

5,460,392 A 10/1995 Hansen
 D367,834 S 3/1996 Beavers et al.
 D375,641 S 11/1996 Dhanapal et al.
 5,775,234 A 7/1998 Solomon et al.
 D415,635 S 10/1999 Bengtsson
 D467,754 S 12/2002 Chen
 D474,356 S 5/2003 Bosman et al.
 6,615,744 B1 9/2003 Eckstein et al.
 6,694,891 B1 2/2004 Lai
 6,840,180 B2* 1/2005 Ulmer A47B 13/023
 108/13
 D501,336 S 2/2005 Lin
 7,032,522 B2 4/2006 George et al.
 D531,839 S 11/2006 Lade
 D548,496 S 8/2007 Samtani
 D581,704 S 12/2008 Hwang
 D583,169 S 12/2008 Saelid
 D588,829 S 3/2009 Rheault et al.
 7,546,810 B2 6/2009 Hernandez
 D611,737 S 3/2010 Miller et al.
 D612,169 S 3/2010 Chang
 D615,324 S 5/2010 Yamamoto

D620,276 S 7/2010 Miller
 D638,637 S 5/2011 Foley
 D656,760 S 4/2012 Fox
 D665,191 S 8/2012 Yamamoto
 D669,282 S 10/2012 Yamamoto
 D671,771 S * 12/2012 Heyvaerts D6/691.4
 D693,152 S 11/2013 Yamamoto
 9,149,111 B1* 10/2015 Lin A47B 3/0812
 D759,994 S * 6/2016 Lin D6/656.13
 2004/0163574 A1 8/2004 Schoenbach et al.
 2007/0234934 A1 10/2007 Branch et al.
 2007/0289506 A1 12/2007 Branch et al.
 2009/0241805 A1 10/2009 Hernandez
 2009/0266274 A1 10/2009 Berlin et al.
 2010/0052486 A1* 3/2010 Hemmer A47B 21/0314
 312/223.3
 2013/0284077 A1 10/2013 Copeland et al.

OTHER PUBLICATIONS

'Portable Standing Desk'. decofurnish.com [online]. Mar. 25, 2016 [retrieved Jul. 29, 2016]. Retrieved from the Internet: <URL: <http://www.decofurnish.com/portable-standing-desk/>>.*

* cited by examiner



FIG. 1

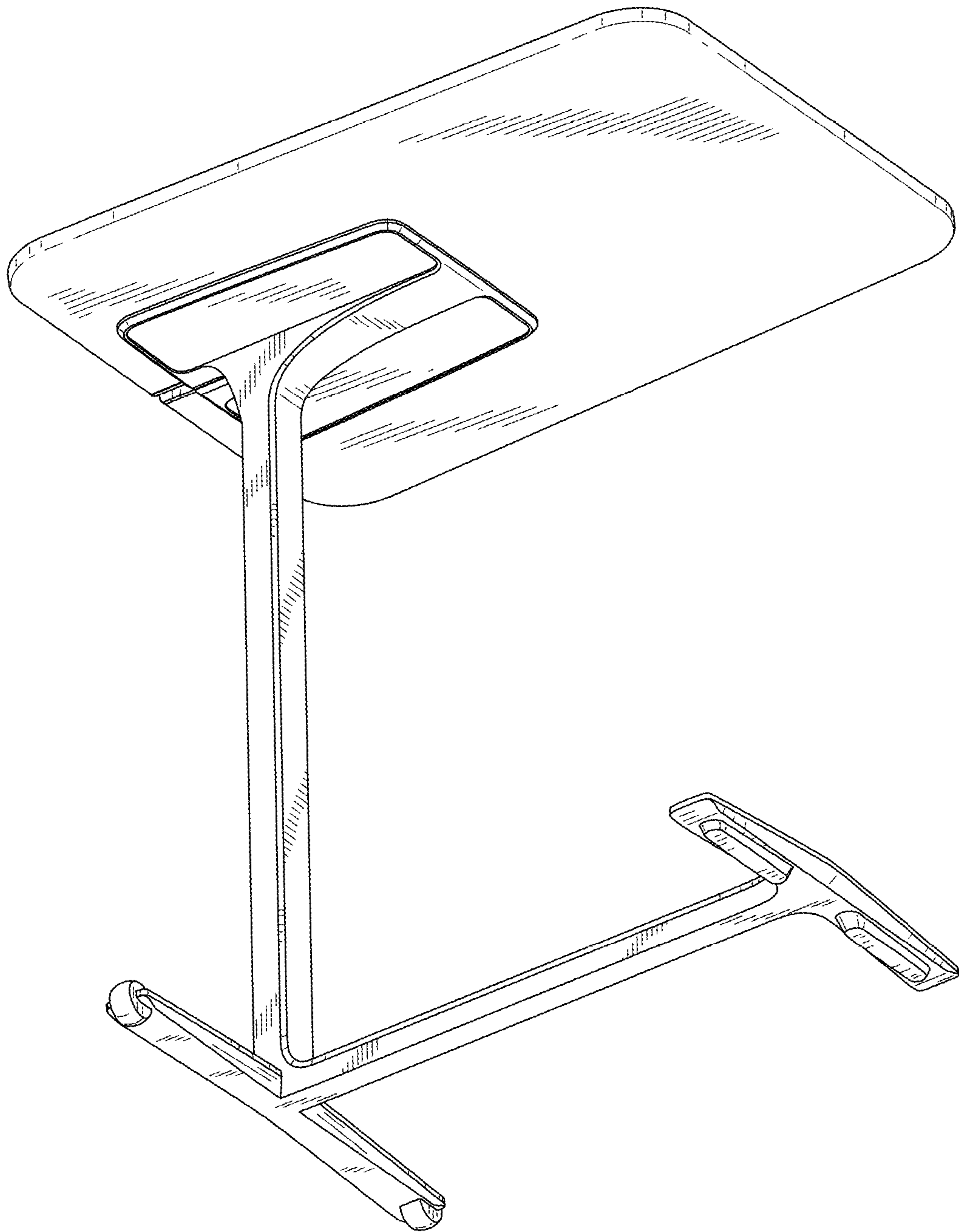


FIG. 2

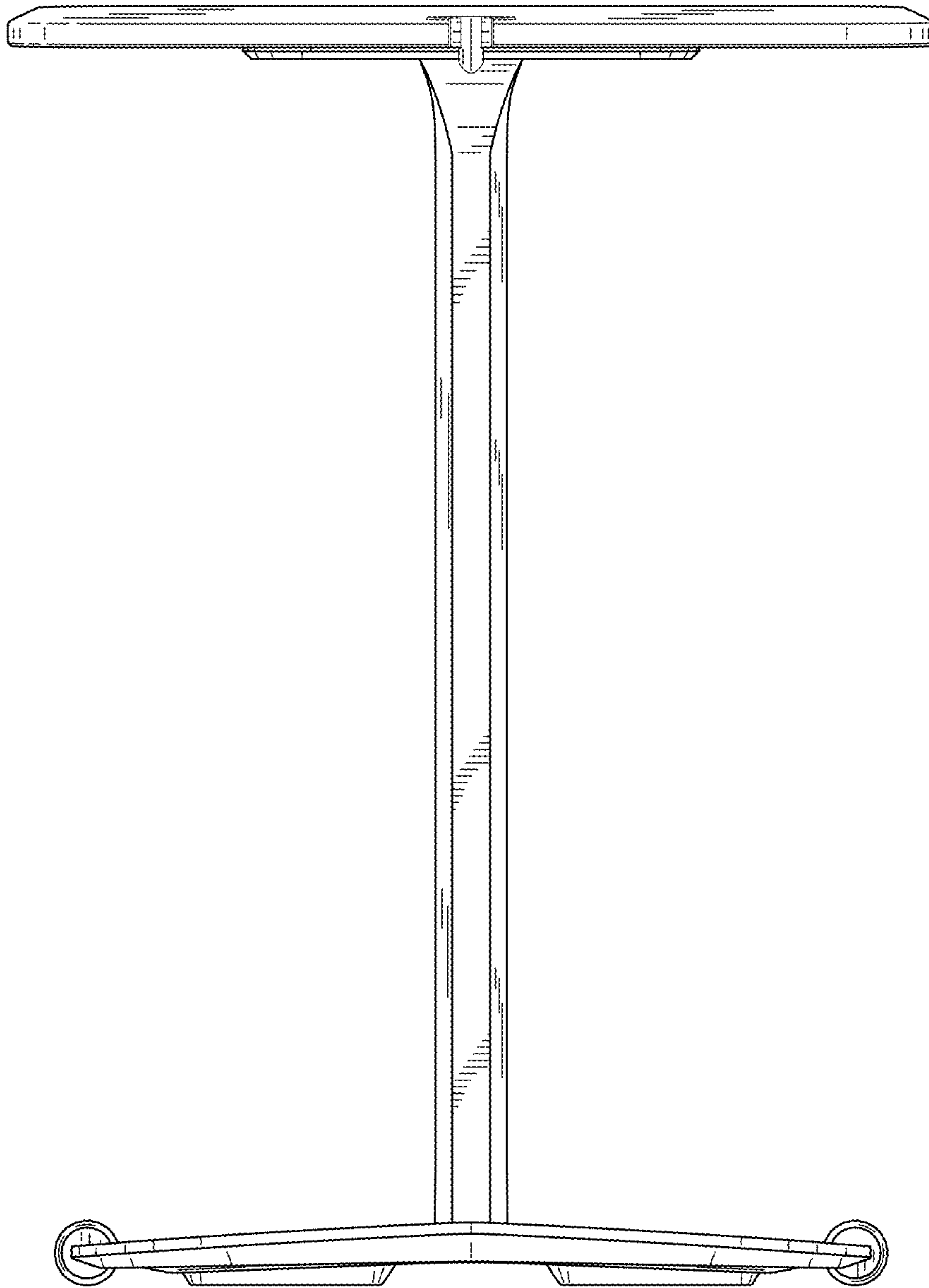


FIG. 3

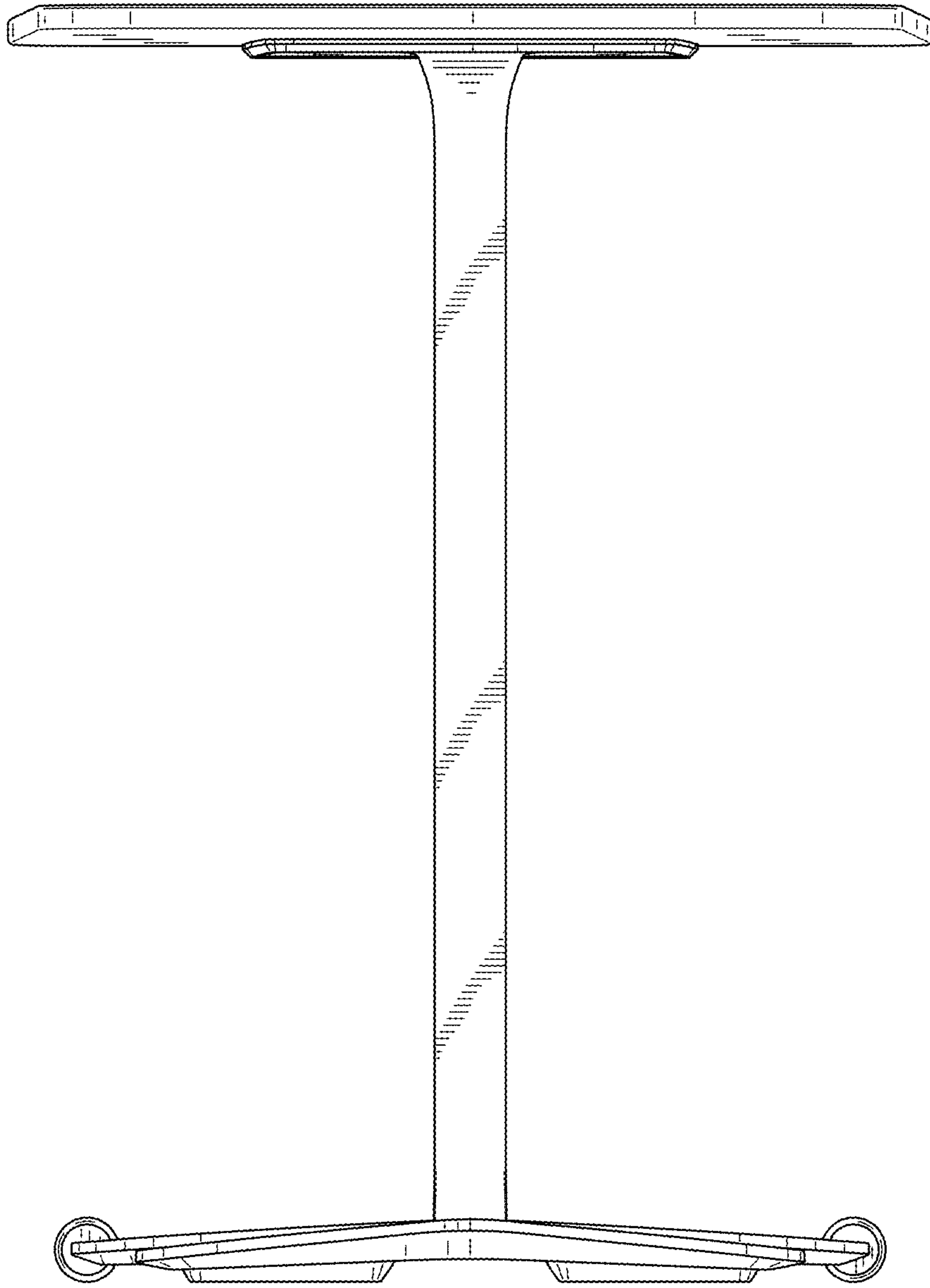


FIG. 4

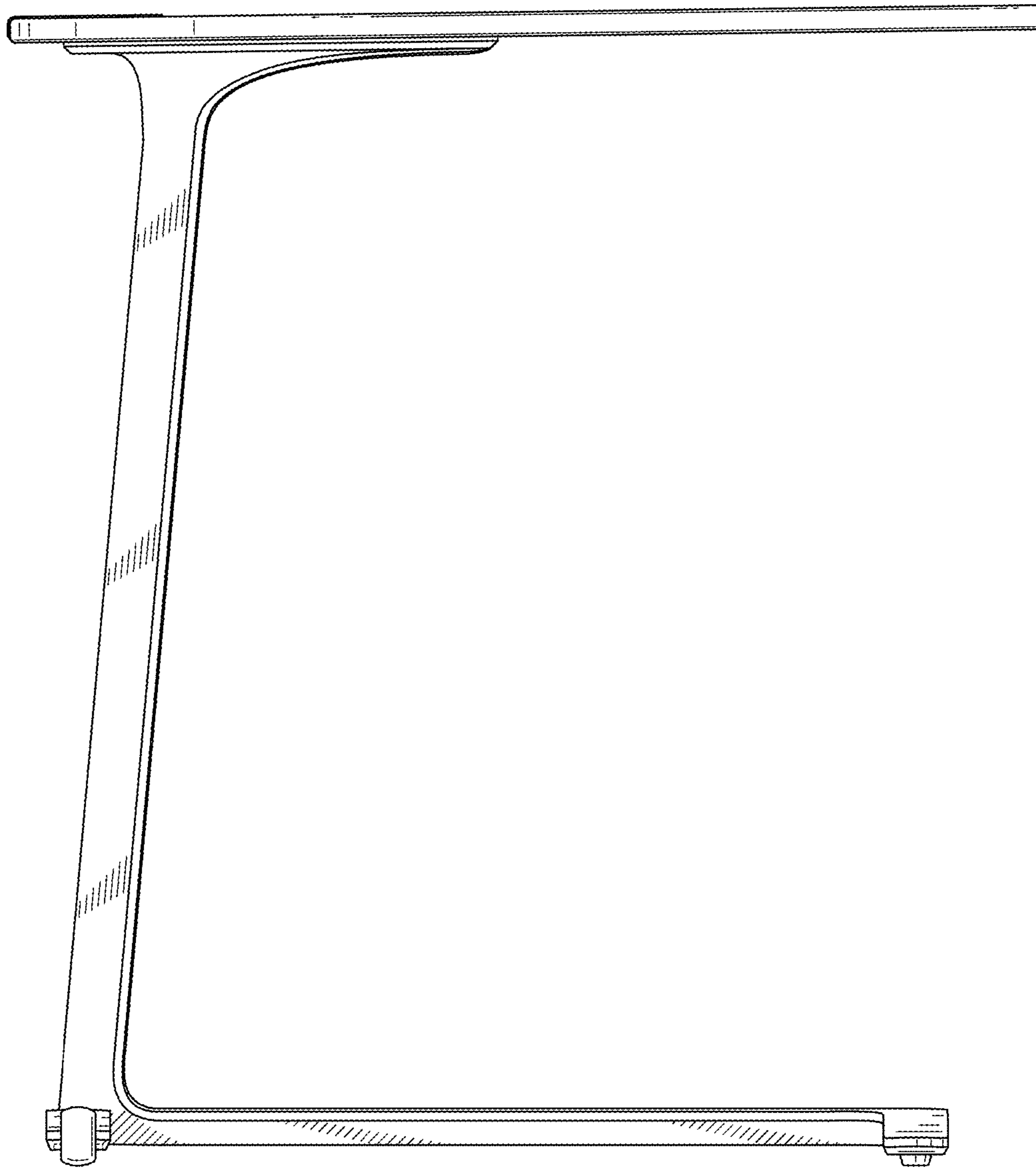


FIG. 5

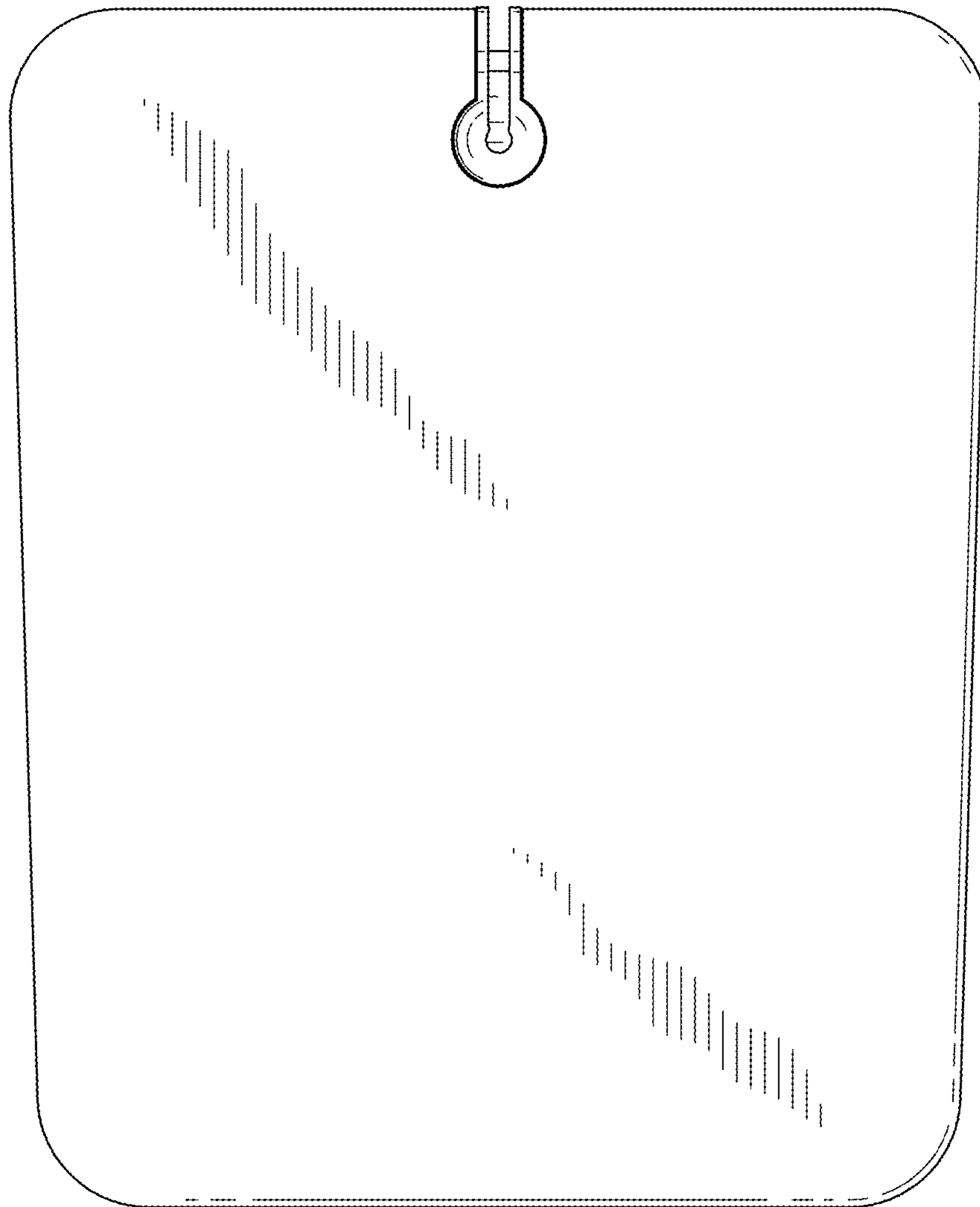


FIG. 6

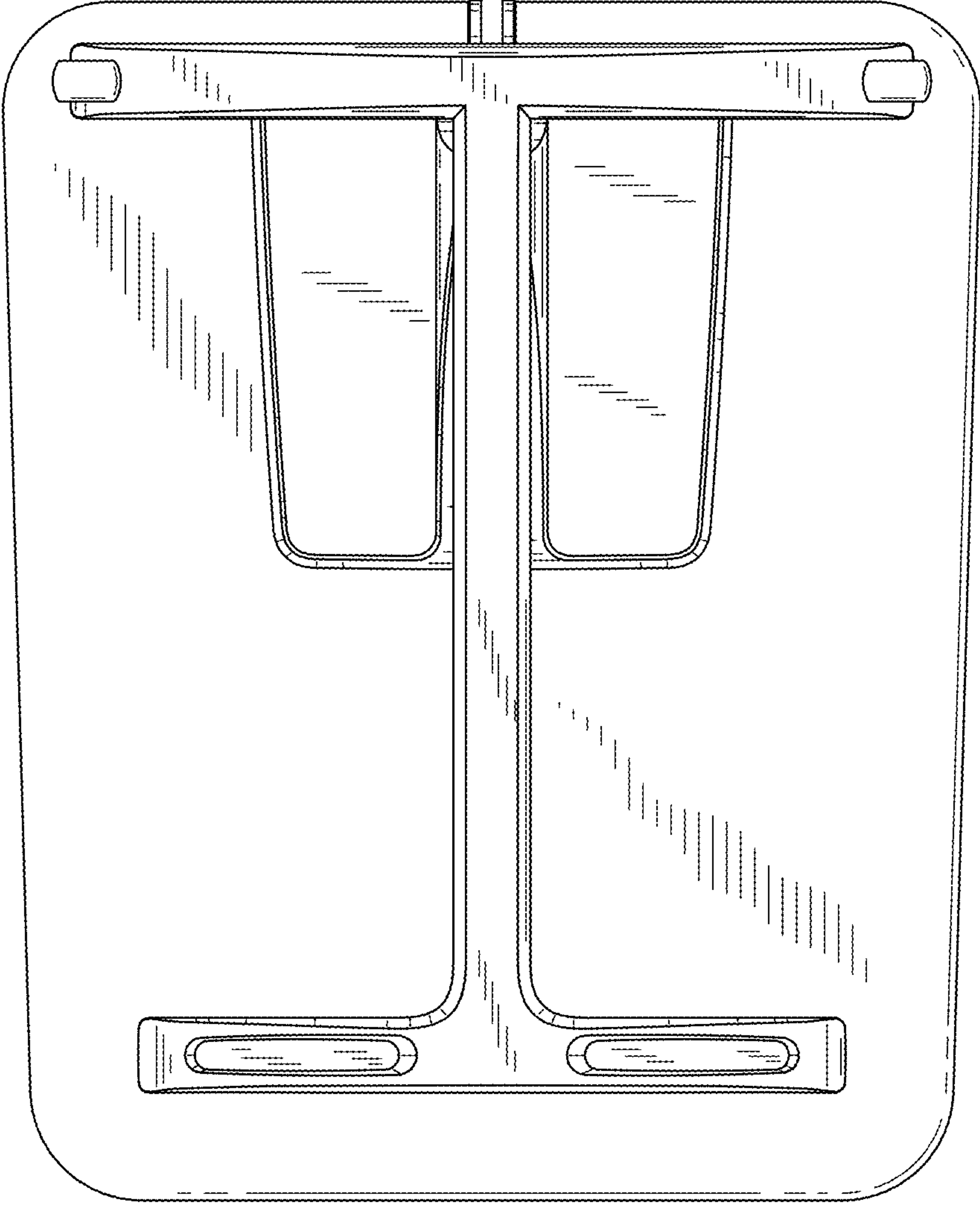


FIG. 7