



US00D774808S

(12) **United States Design Patent** (10) **Patent No.:** **US D774,808 S**
Lin (45) **Date of Patent:** **** Dec. 27, 2016**

- (54) **RECTANGULAR TABLE**
- (71) Applicant: **Zhuhai Shichang Metals Ltd., Zhuahi (CN)**
- (72) Inventor: **Wen-Sheng Lin, Kaohsiung (TW)**
- (73) Assignee: **Zhuhai Shichang Metals Ltd. (CN)**
- (**) Term: **14 Years**
- (21) Appl. No.: **29/515,872**
- (22) Filed: **Jan. 28, 2015**
- (51) **LOC (10) Cl.** **06-04**
- (52) **U.S. Cl.**
USPC **D6/691**
- (58) **Field of Classification Search**
USPC ... D6/691, 691.1, 691.6, 656.13, 692, 692.4, D6/707.17, 656; 108/166, 127
CPC A47B 3/00; A47B 3/0818; A47B 3/087
See application file for complete search history.

- 2005/0155531 A1* 7/2005 Chang A47B 3/0911
108/130
- 2005/0160950 A1* 7/2005 Haney A47B 3/087
108/129
- 2011/0203494 A1* 8/2011 Ashby A47B 3/087
108/127
- 2012/0272873 A1* 11/2012 Zhu A47B 3/0913
108/127
- 2013/0025509 A1* 1/2013 Jin A47B 3/087
108/166
- 2013/0118388 A1* 5/2013 Zhu A47B 3/0912
108/127
- 2013/0233210 A1* 9/2013 Jin A47B 3/0818
108/166
- 2016/0128464 A1* 5/2016 Stanford A47B 3/091
108/127

* cited by examiner

Primary Examiner — Rosemary K Tarcza
Assistant Examiner — James Thorn, Sr.
(74) *Attorney, Agent, or Firm* — Luedeka Neely Group, P.C.

(57) **CLAIM**

The ornamental design of a rectangular table, as shown and described.

(56) **References Cited**

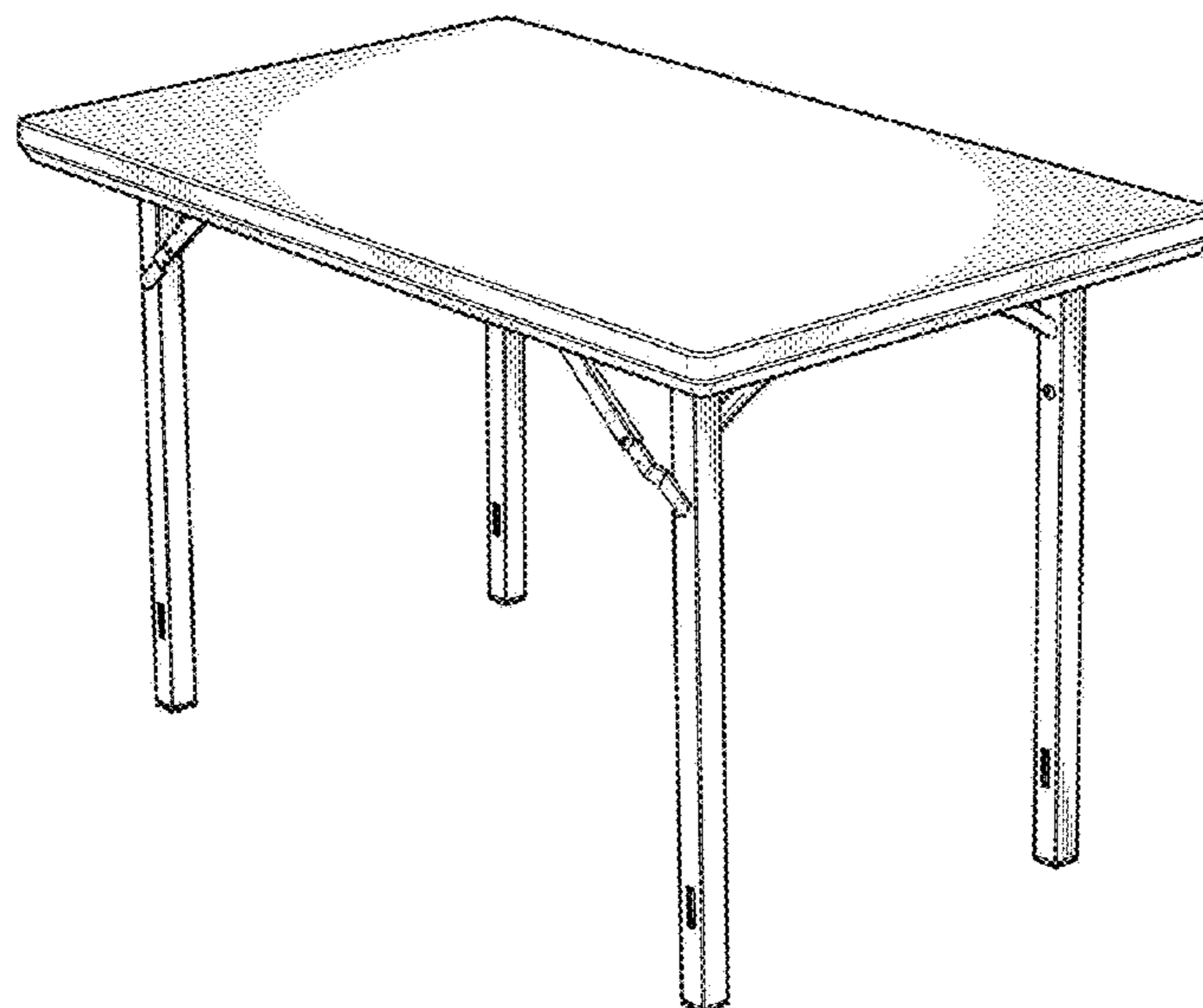
U.S. PATENT DOCUMENTS

- 4,927,128 A * 5/1990 O'Brian A47B 3/087
108/36
- D444,967 S * 7/2001 Mourgue D6/691.6
- D476,169 S 6/2003 Buono
- 6,622,644 B2 9/2003 Buono
- D515,841 S * 2/2006 Hsu D6/691.6
- 7,150,237 B2 12/2006 Lin et al.
- D632,103 S * 2/2011 Apelbaum D6/691
- D671,773 S * 12/2012 Johnson D25/119
- D713,184 S * 9/2014 Rak D6/691.1
- D742,146 S * 11/2015 Lin D6/691
- D750,402 S * 3/2016 Lin D6/691
- D758,113 S * 6/2016 Domingo D6/691

DESCRIPTION

FIG. 1 is a top perspective view of the rectangular table; FIG. 2 is a side plan view of the rectangular table; FIG. 3 is an end plan view of the rectangular table; FIG. 4 is a top plan view of the rectangular table; FIG. 5 is a bottom plan view of the rectangular table; and, FIG. 6 is a bottom perspective view of the rectangular table. The broken lines in the drawings are for the purpose of illustrating unclaimed portions and form no part of the claimed design.

1 Claim, 6 Drawing Sheets



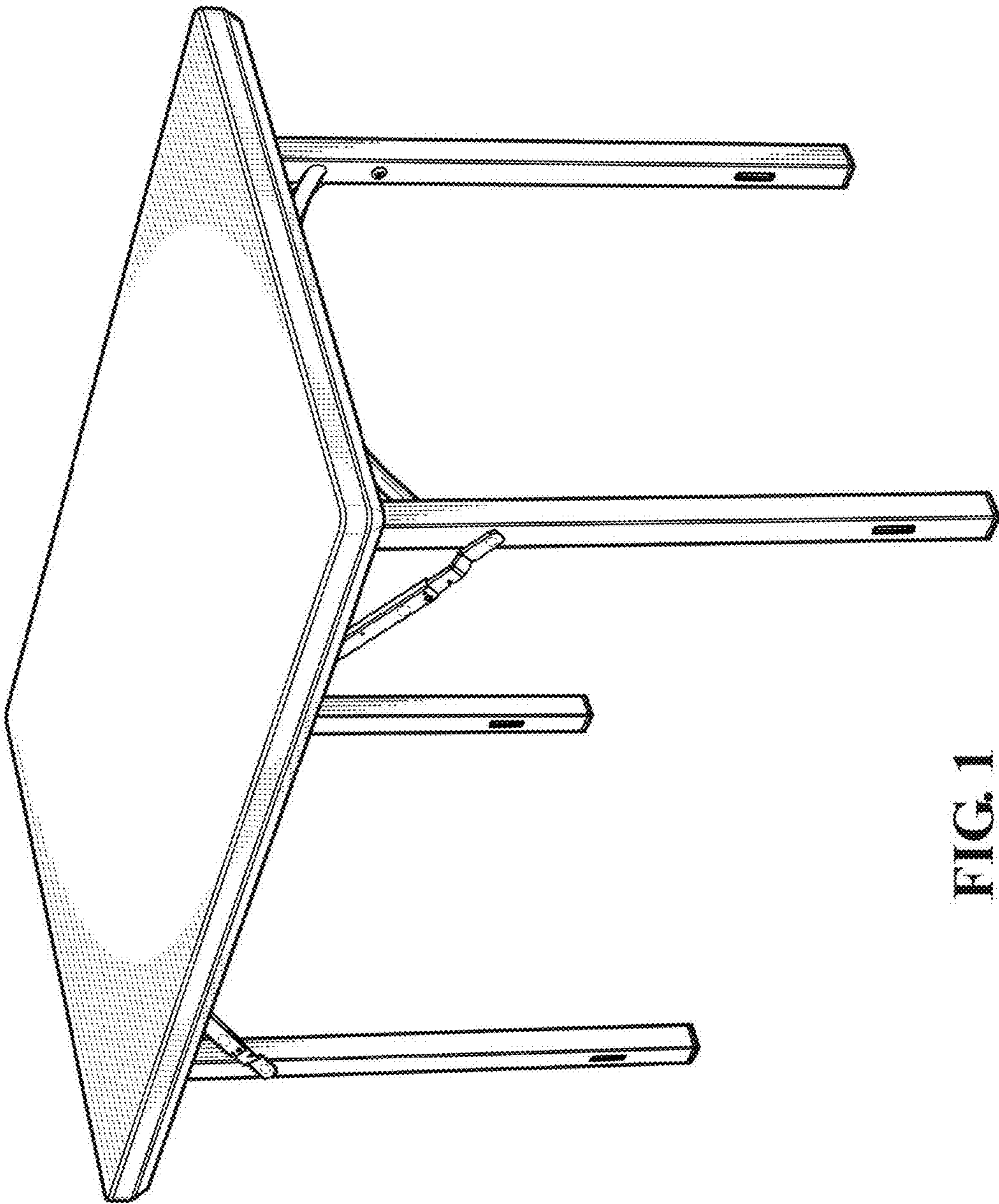


FIG. 1

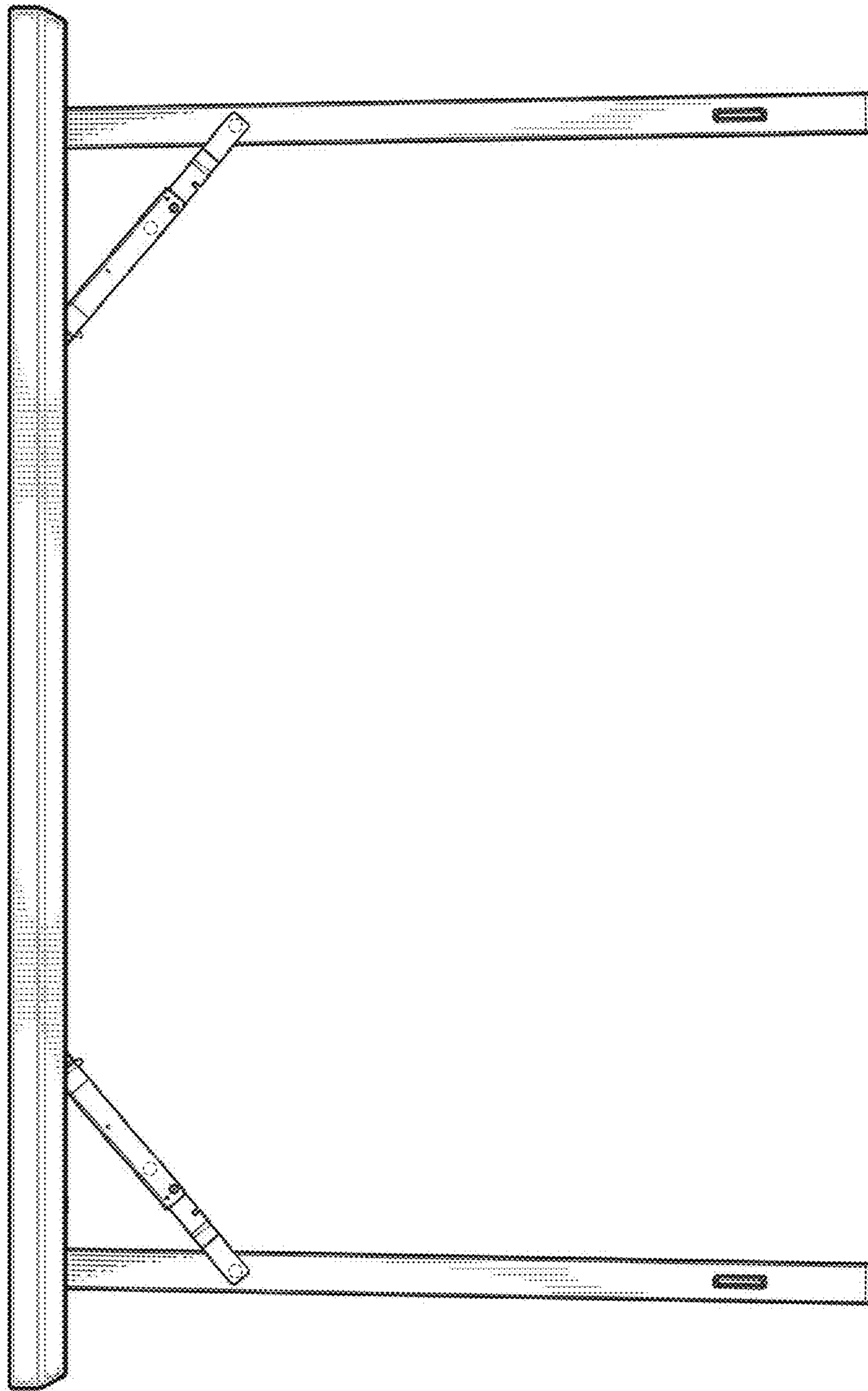


FIG. 2

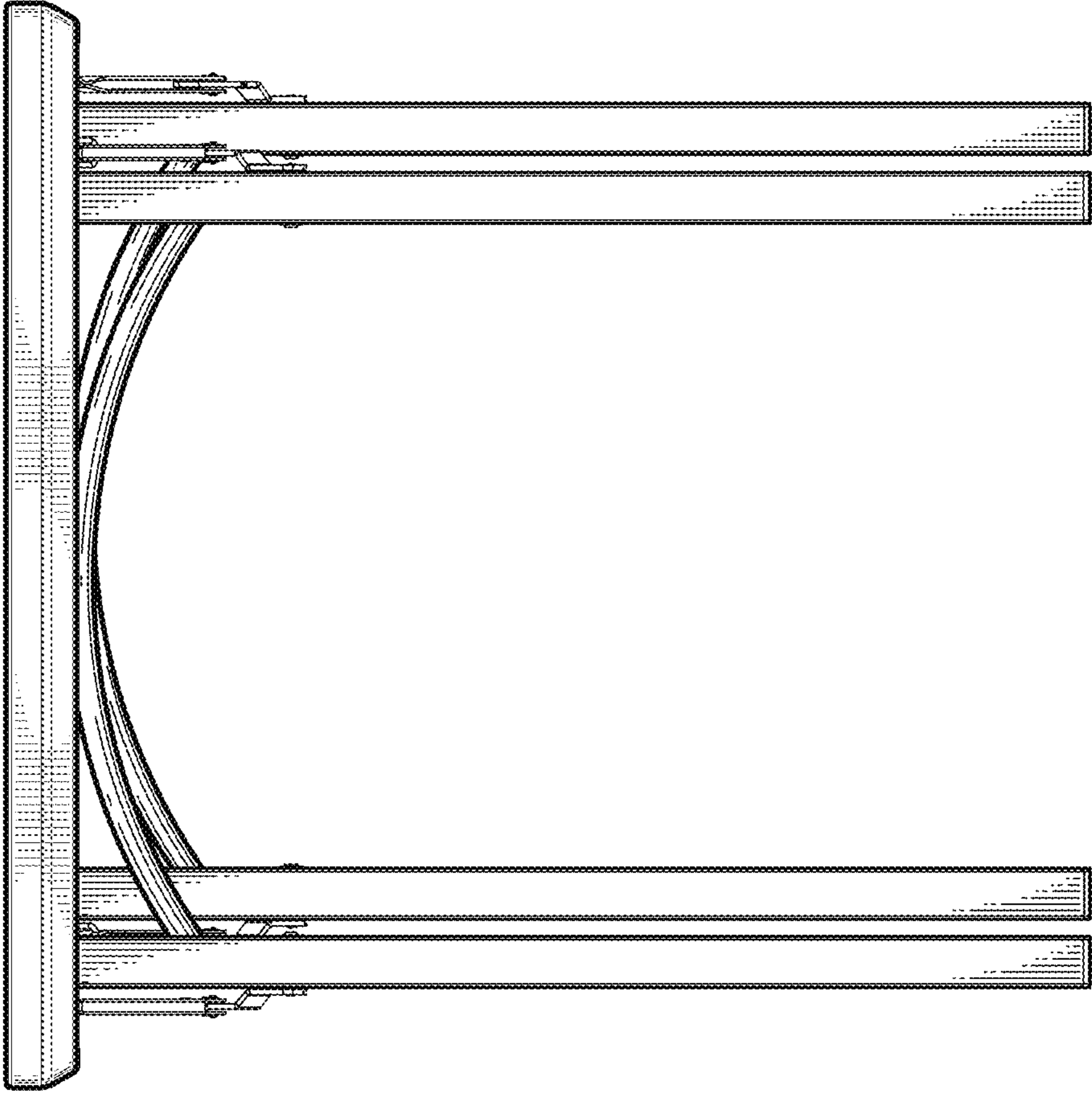


FIG. 3



FIG. 4

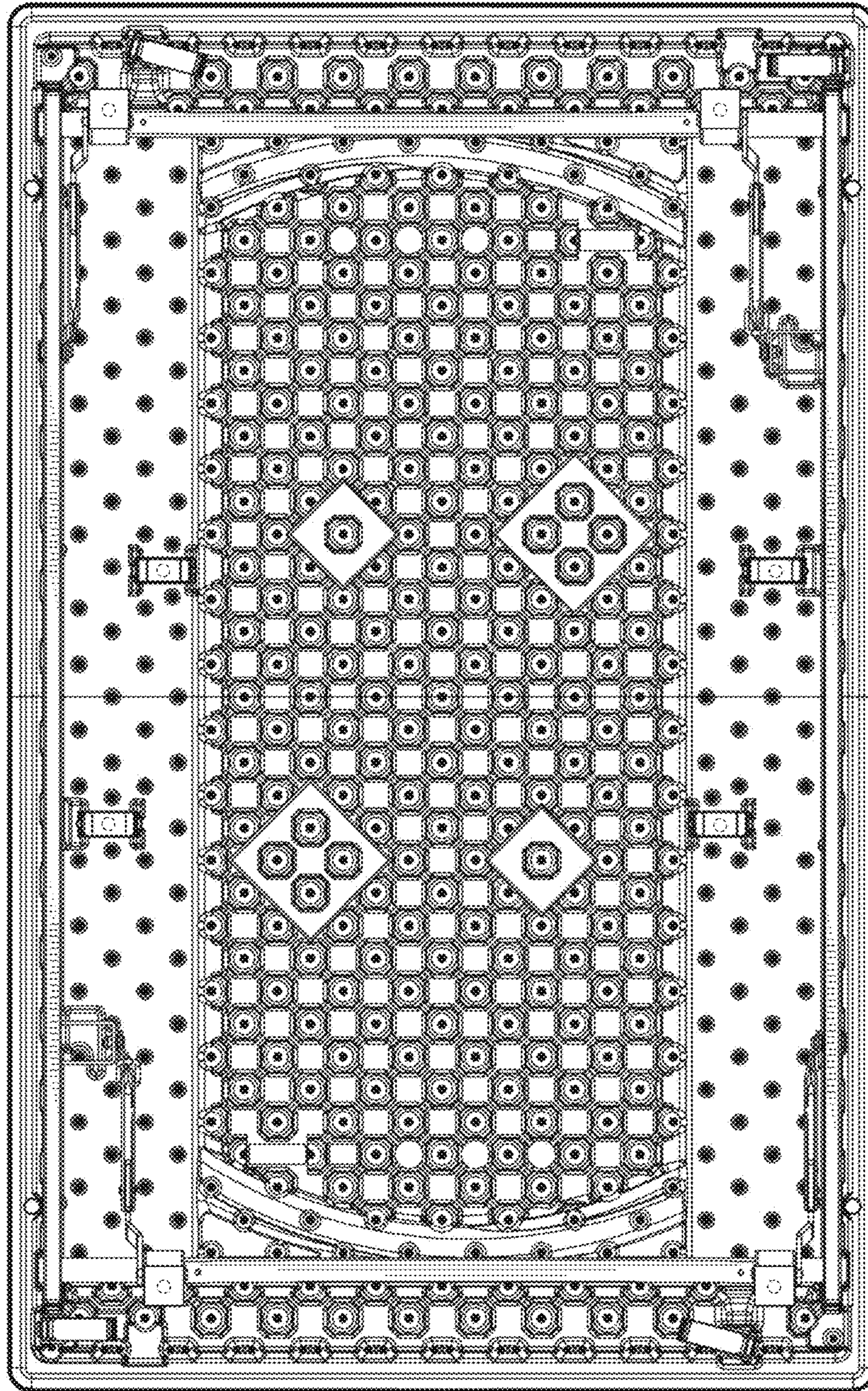


FIG. 5

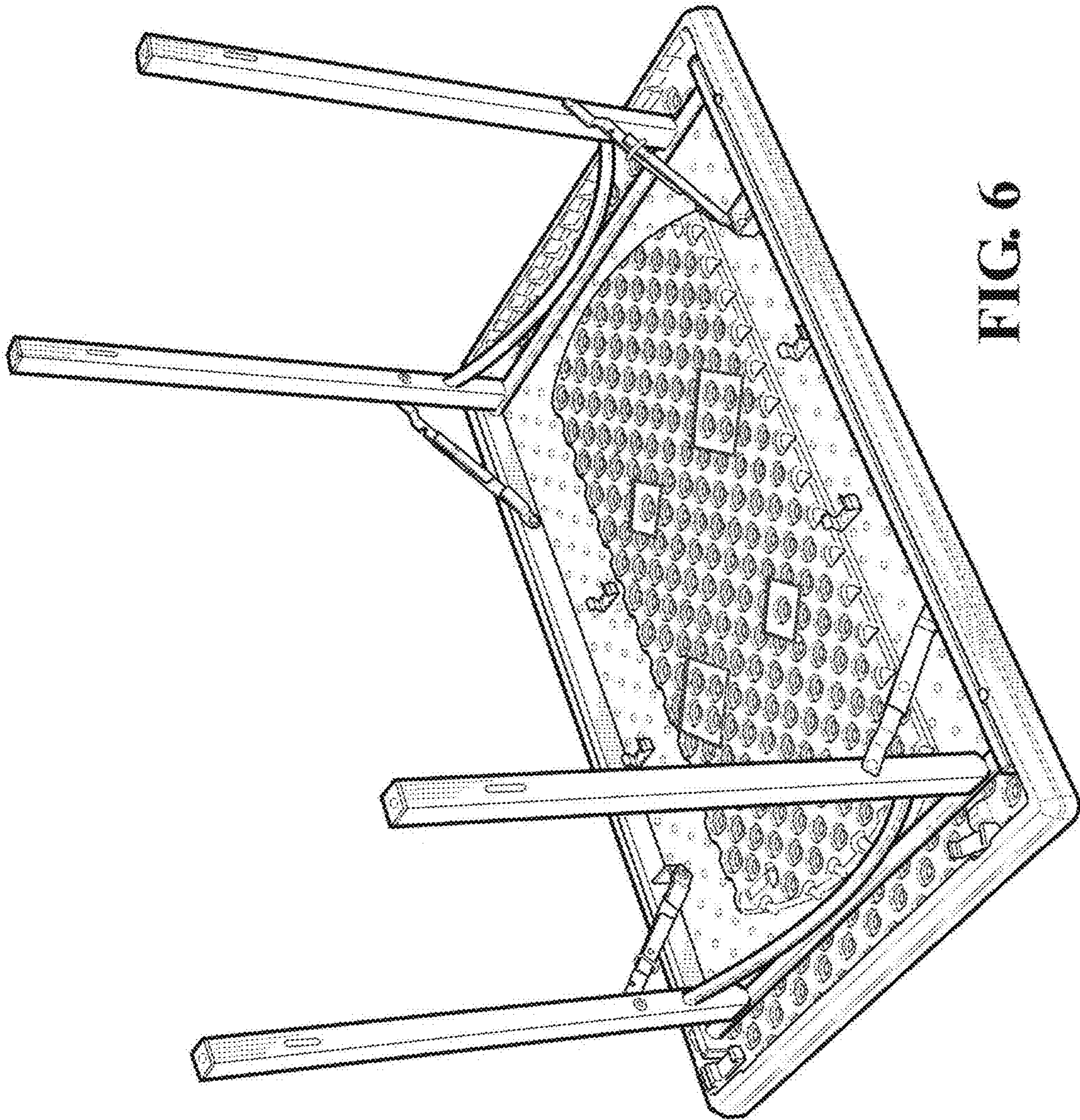


FIG. 6