



US00D774807S

(12) **United States Design Patent**  
**Biddle et al.**

(10) **Patent No.:** **US D774,807 S**

(45) **Date of Patent:** **\*\* Dec. 27, 2016**

(54) **TABLE**

(71) Applicant: **Steelcase Inc.**, Grand Rapids, MI (US)

(72) Inventors: **Fredric J Biddle**, Kalamazoo, MI (US);  
**Mark McKenna**, Grand Rapids, MI (US)

(73) Assignee: **Steelcase Inc.**, Grand Rapids, MI (US)

(\*\*) Term: **14 Years**

(21) Appl. No.: **29/501,298**

(22) Filed: **Sep. 3, 2014**

(51) **LOC (10) Cl.** ..... **06-03**

(52) **U.S. Cl.**  
USPC ..... **D6/691**

(58) **Field of Classification Search**  
USPC ..... D6/691, 691.6, 692, 692.4, 707.17,  
D6/656.13, 662.1, 675, 688.14; 108/150,  
108/155  
CPC ..... A47B 3/00; A47B 3/0818; A47B 3/087;  
A47B 17/00; A47B 21/00  
See application file for complete search history.

(56) **References Cited**

**U.S. PATENT DOCUMENTS**

D225,712 S	1/1973	McDonald
D229,652 S	12/1973	Brooke, Jr. et al.
D238,407 S	1/1976	Owens
D245,303 S	8/1977	Gazarek
D270,411 S	9/1983	DeGregori
D303,052 S	8/1989	Rosen
D313,907 S	1/1991	Kubryk
D313,908 S	1/1991	Kubryk
D328,990 S	9/1992	Kwiescinski
D330,475 S	10/1992	Bennett
D345,476 S	3/1994	Burdick et al.
D362,140 S	9/1995	Pedersen
D368,192 S	3/1996	Haigh et al.

D398,453 S	*	9/1998	Stead	.....	D6/349
D415,371 S		10/1999	Lewis		
D417,094 S		11/1999	Schwartz		
D428,559 S		7/2000	Danesi		
D442,807 S		5/2001	Mathieu et al.		
D446,974 S		8/2001	Muller		
D456,643 S		5/2002	Harner		
D463,166 S	*	9/2002	Russell	.....	D6/690
D469,635 S		2/2003	Hirsch		
D471,741 S		3/2003	Barber		

(Continued)

**OTHER PUBLICATIONS**

Origami Console Table. Downloaded from <http://productfind.interiordesign.net/products/17132-origami-console-table/> on Sep. 2, 2014.

*Primary Examiner* — Rosemary K Tarcza  
*Assistant Examiner* — James Thorn, Sr.

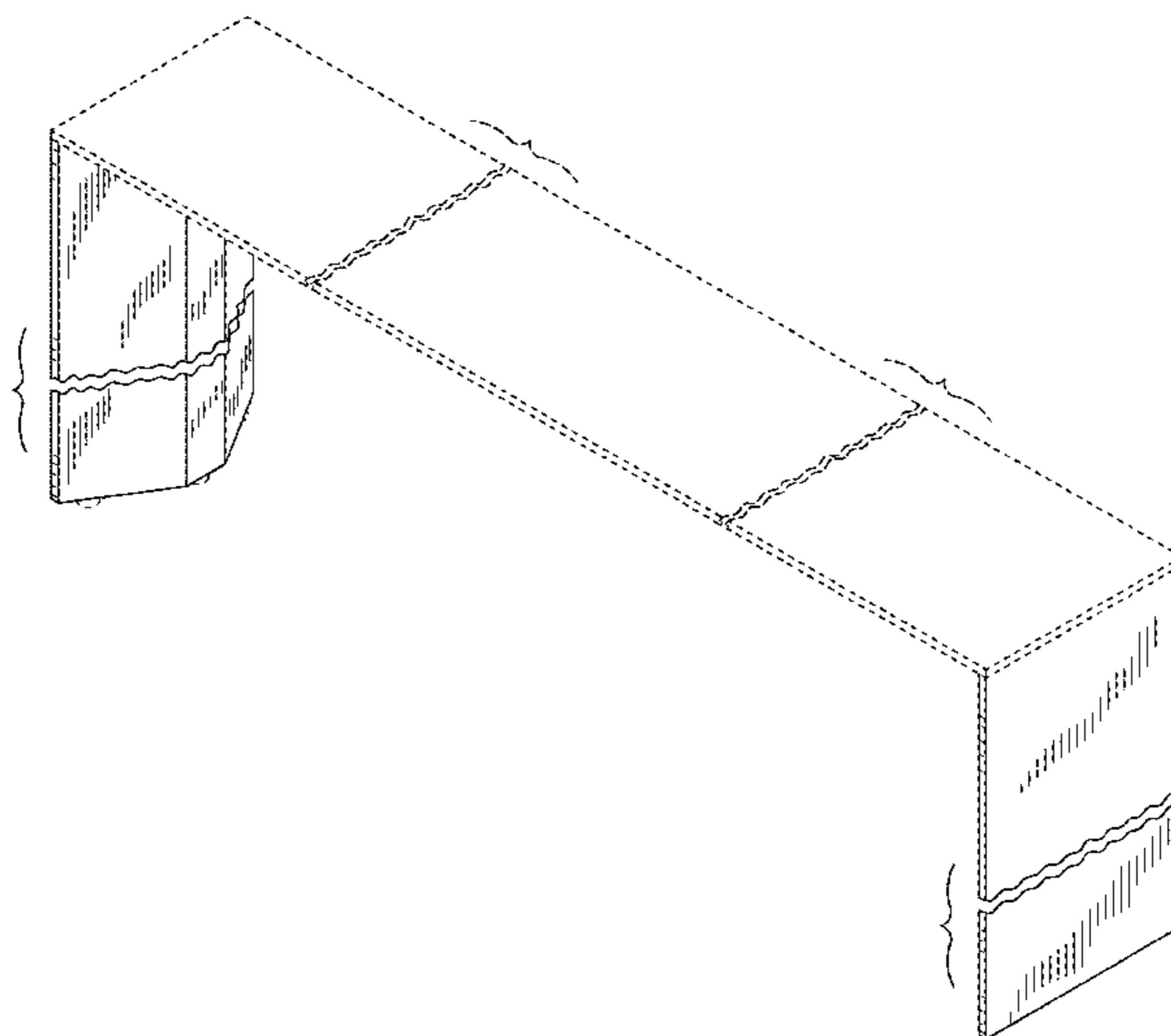
(57) **CLAIM**

We claim the ornamental design for a table, as shown and described.

**DESCRIPTION**

FIG. 1 is a front perspective view of a table;  
FIG. 2 is a bottom perspective view of a table of FIG. 1;  
FIG. 3 is a rear perspective view of a table of FIG. 1;  
FIG. 4 is a right side view of a table of FIG. 1, the left side view is a mirror image of the right side view of FIG. 4;  
FIG. 5 is a top view of a table of FIG. 1; and,  
FIG. 6 is a bottom view of a table of FIG. 1.  
The dashed lines and broken lines are for purposes of illustrating environmental structure and form no part of the claimed design. The table is shown with a symbolic break in its length and height. The appearance of any portion of the article between the break lines forms no part of the claimed design.

**1 Claim, 4 Drawing Sheets**



(56)

**References Cited**

U.S. PATENT DOCUMENTS

D476,169	S *	6/2003	Buono .....	D6/691.6
D485,094	S	1/2004	Chang et al.	
D505,282	S	5/2005	Miyakawa	
D508,803	S *	8/2005	Anderson .....	D6/691
D511,059	S	11/2005	Sinding et al.	
D527,929	S	9/2006	Martin	
D544,254	S	6/2007	Everson et al.	
D553,394	S	10/2007	Geraghty	
D593,342	S	6/2009	Pesso	
D604,063	S	11/2009	Oshinomi et al.	
D608,568	S	1/2010	Manz	
D612,173	S	3/2010	Kane	
D618,473	S	6/2010	Hernandez et al.	
D646,912	S *	10/2011	Van Rijn .....	D6/691
D655,537	S	3/2012	Ruiter et al.	
D668,893	S	10/2012	Lehman-Smith	
D670,105	S *	11/2012	Jespersen .....	D6/691
D675,042	S *	1/2013	Mecherle .....	D6/691
D708,461	S *	7/2014	Starck .....	D6/691
D731,217	S *	6/2015	Versace .....	D6/691
D750,402	S *	3/2016	Lin .....	D6/691
2010/0290215	A1 *	11/2010	Metcalf .....	A47B 21/00 362/127
2011/0203494	A1 *	8/2011	Ashby .....	A47B 3/087 108/127
2015/0320203	A1 *	11/2015	Mandon .....	A47B 21/06 108/20

\* cited by examiner

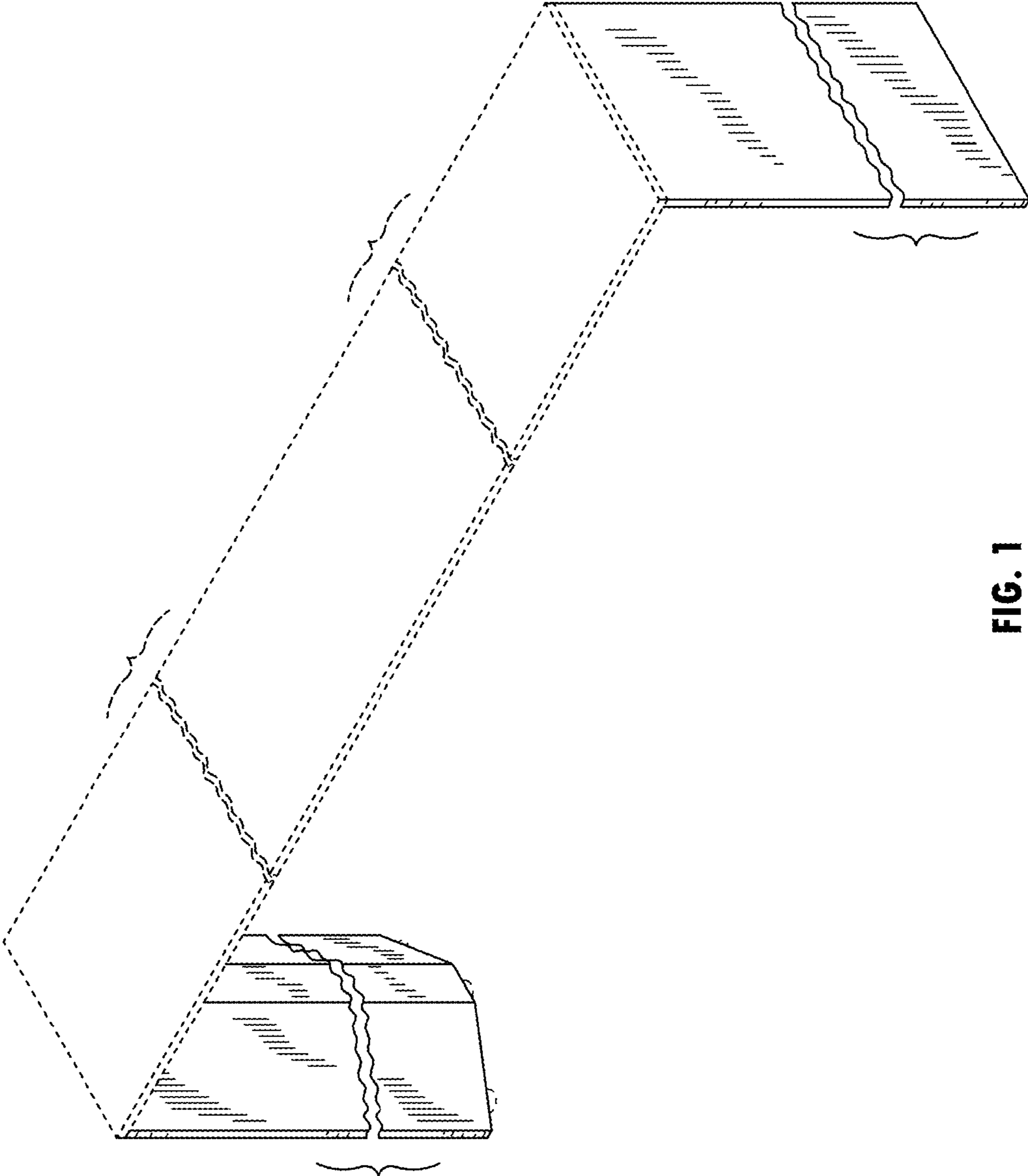
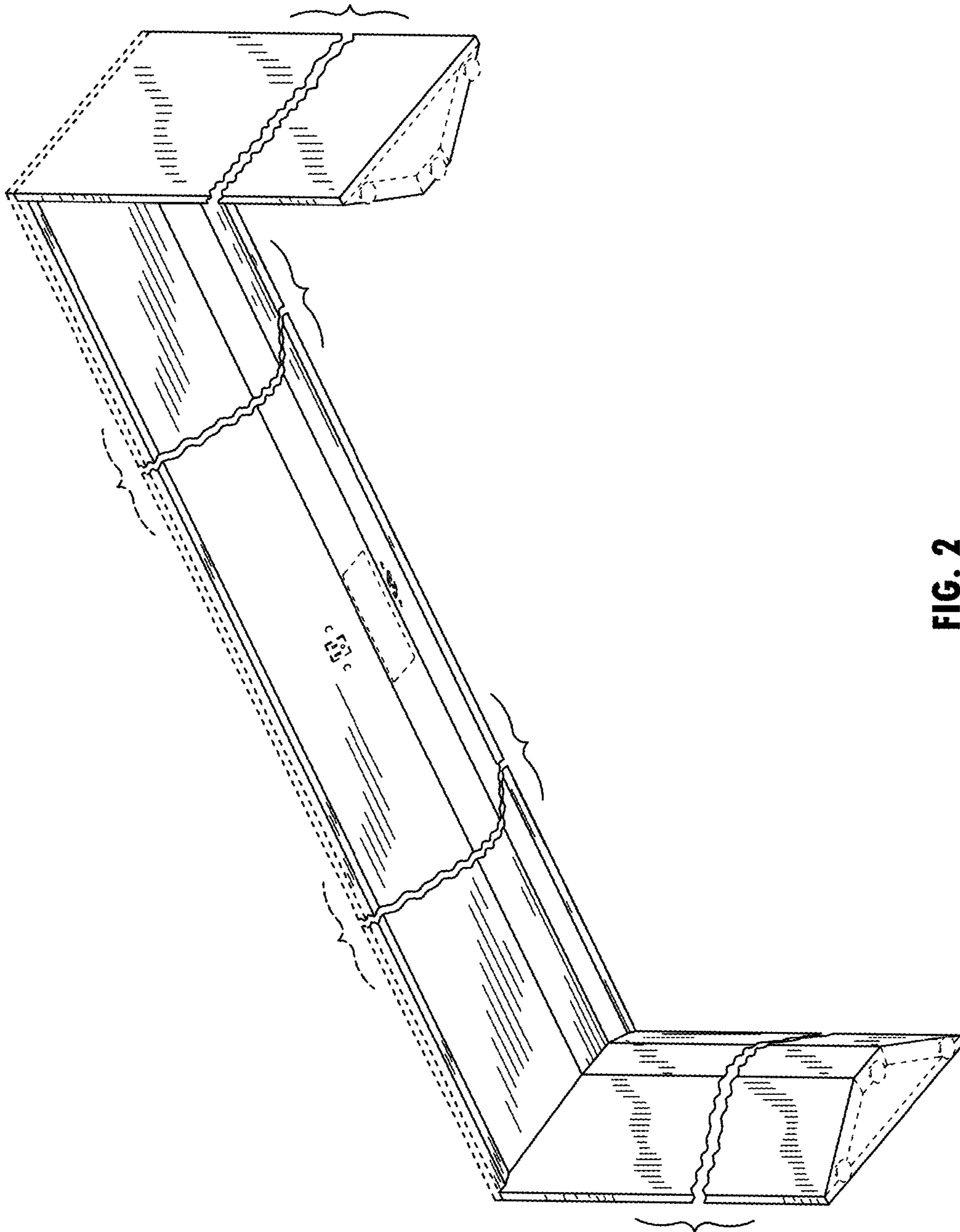


FIG. 1



**FIG. 2**

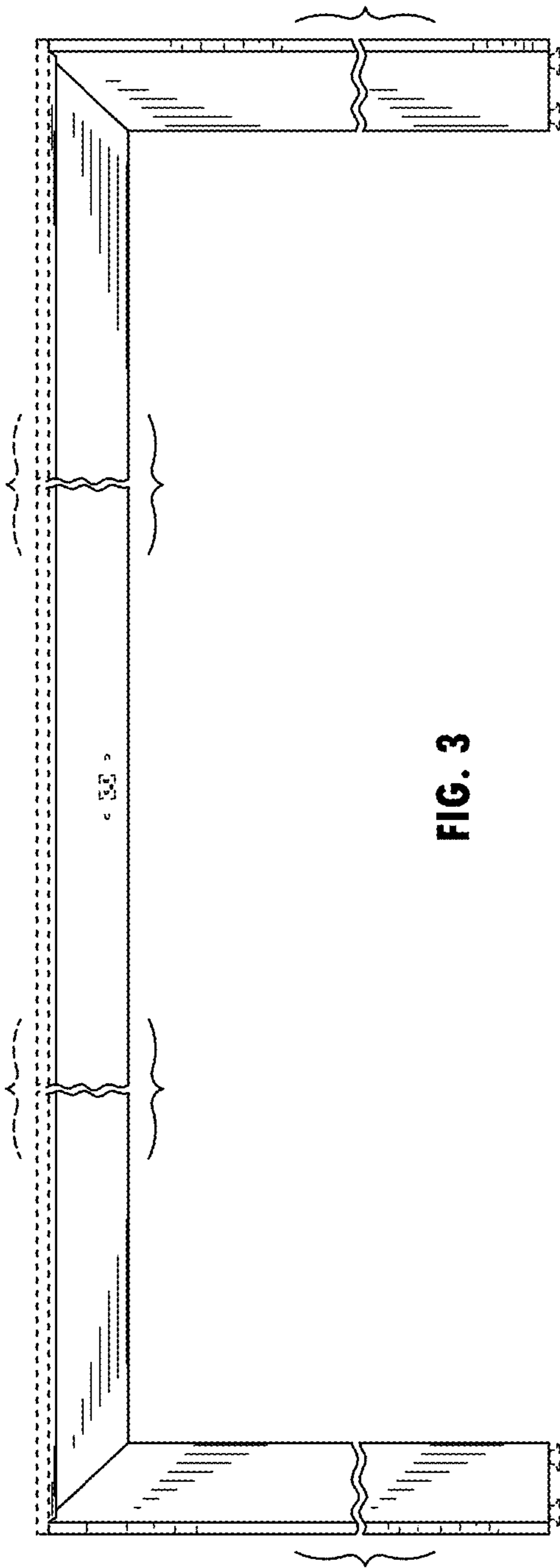


FIG. 3

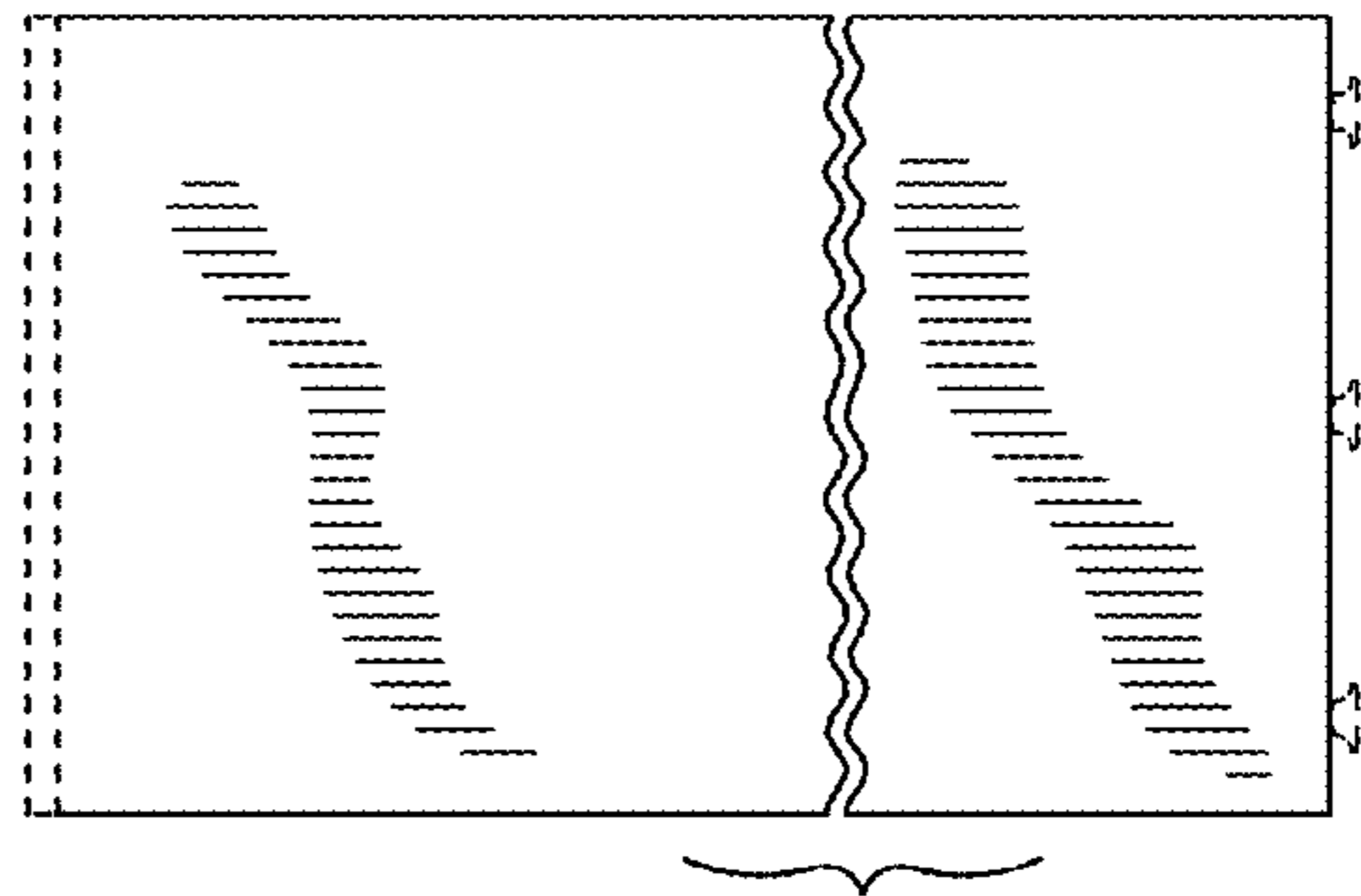


FIG. 4

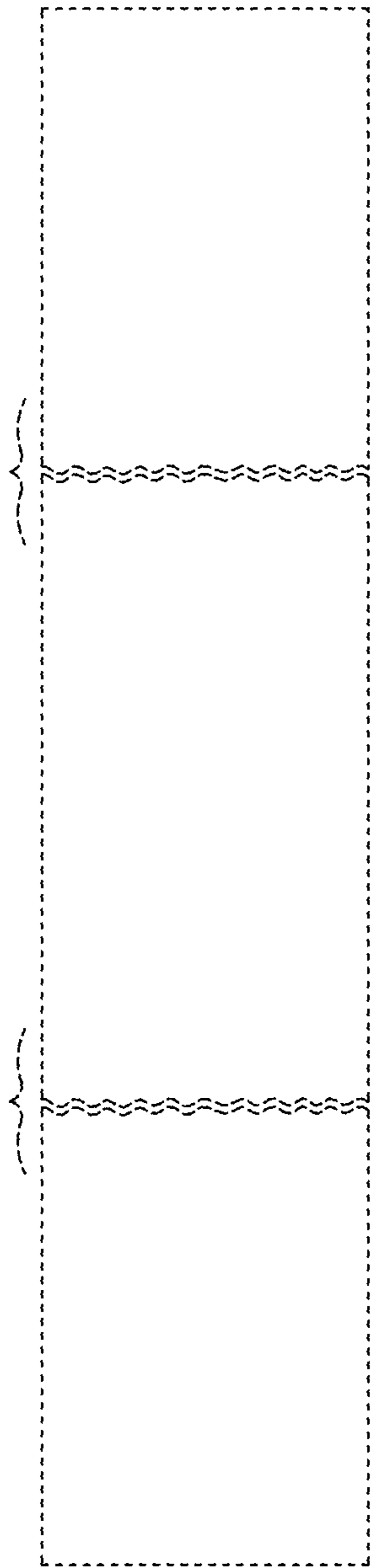


FIG. 5

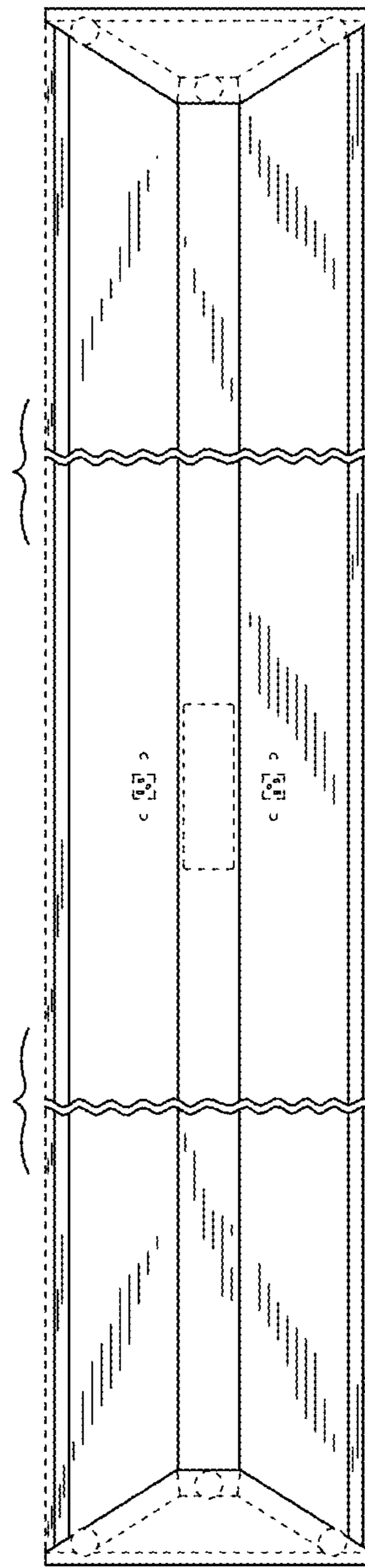


FIG. 6