



US00D774806S

(12) **United States Design Patent**  
**Kroll**

(10) **Patent No.:** **US D774,806 S**

(45) **Date of Patent:** **\*\* Dec. 27, 2016**

(54) **CROSS-SHAPED DISPLAY STAND**

(71) Applicant: **William F Kroll**, Boca Raton, FL (US)

(72) Inventor: **William F Kroll**, Boca Raton, FL (US)

(\*\*) Term: **15 Years**

(21) Appl. No.: **29/540,092**

(22) Filed: **Sep. 21, 2015**

**Related U.S. Application Data**

(62) Division of application No. 29/475,451, filed on Dec. 3, 2013, now Pat. No. Des. 745,793.

(51) **LOC (10) Cl.** ..... **06-04**

(52) **U.S. Cl.**  
USPC ..... **D6/674**; D20/29; D99/23; D99/27

(58) **Field of Classification Search**  
USPC ..... D3/211, 223, 270; D6/343, 352, 362, D6/391, 514, 519, 552, 556, 573, 574, D6/629, 630, 641, 653, 653.14, 653.21, D6/661.2, 670, 672, 673, 674, 675, 675.1, D6/675.3, 675.4, 676.3, 680.2, 685, D6/691.5; D9/617, 667; D11/86, 96, 125, D11/157; D26/4, 125; D28/8.2; D99/17, D99/23, 25, 27; 428/3; 211/85.6, 127, 211/133, 152, 174, 176.1, 441.1, 211/442.2, 450, 451, 454, 455, 456; D20/29  
CPC ..... A47F 3/00; A47F 5/00; A47G 33/00; A47G 33/002; A47G 33/004; A47G 33/006; A47G 33/008; A47G 33/02; F16B 12/12; F16B 12/14  
See application file for complete search history.

(56) **References Cited**

**U.S. PATENT DOCUMENTS**

- D116,859 S \* 9/1939 McDonald ..... D11/96
- 2,246,122 A \* 6/1941 Brennan ..... B44C 1/26  
206/19
- D168,686 S 1/1953 Hunter
- D256,398 S \* 8/1980 Mitchell ..... D99/25
- D370,282 S \* 5/1996 Grether ..... D11/122

- D385,672 S \* 10/1997 Noris ..... D6/674
- D454,488 S \* 3/2002 Davis ..... D9/667
- D525,163 S \* 7/2006 Balch ..... D11/86
- D578,275 S \* 10/2008 Shantz ..... D99/17
- D611,221 S \* 3/2010 Parks ..... D99/5
- D618,135 S \* 6/2010 Horst ..... D11/157
- D658,908 S \* 5/2012 Kroll ..... D6/674
- D659,430 S \* 5/2012 Kroll ..... D6/674
- D659,431 S \* 5/2012 Kroll ..... D6/674
- D659,432 S \* 5/2012 Kroll ..... D6/674

(Continued)

**OTHER PUBLICATIONS**

Crystal Glass Cross: Site visited [Aug. 3, 2016]. Available from Internet URL :<[http://www.alibaba.com/product-detail/Custom-Made-Clear-Crystal-Glass-Standing\\_60153949044/showimage.html](http://www.alibaba.com/product-detail/Custom-Made-Clear-Crystal-Glass-Standing_60153949044/showimage.html)>.\*

(Continued)

*Primary Examiner* — Thomas Johannes  
*Assistant Examiner* — Catherine Posthauer  
(74) *Attorney, Agent, or Firm* — Mark D. Bowen; Malin Haley DiMaggio & Bowen, P.A.

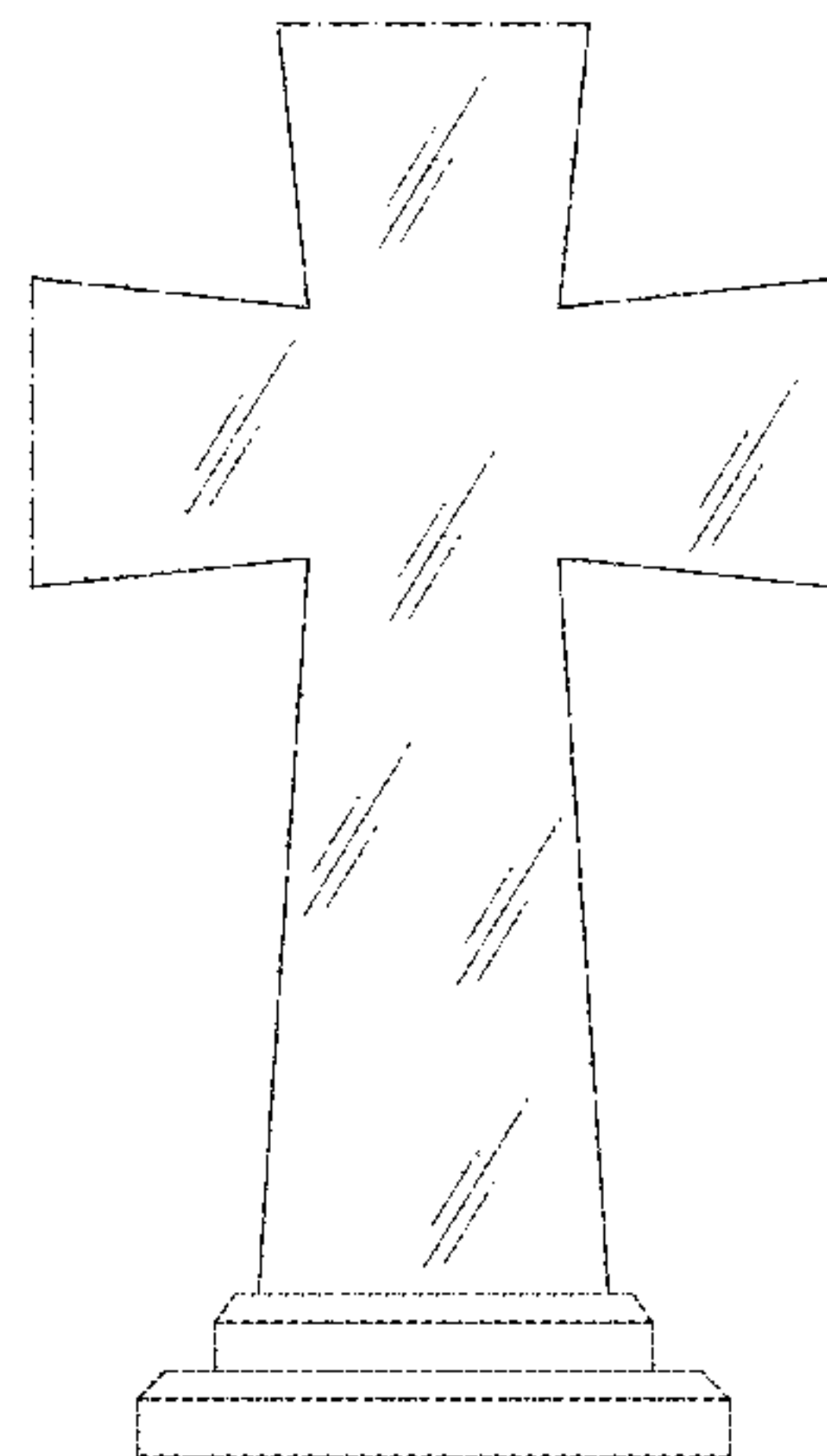
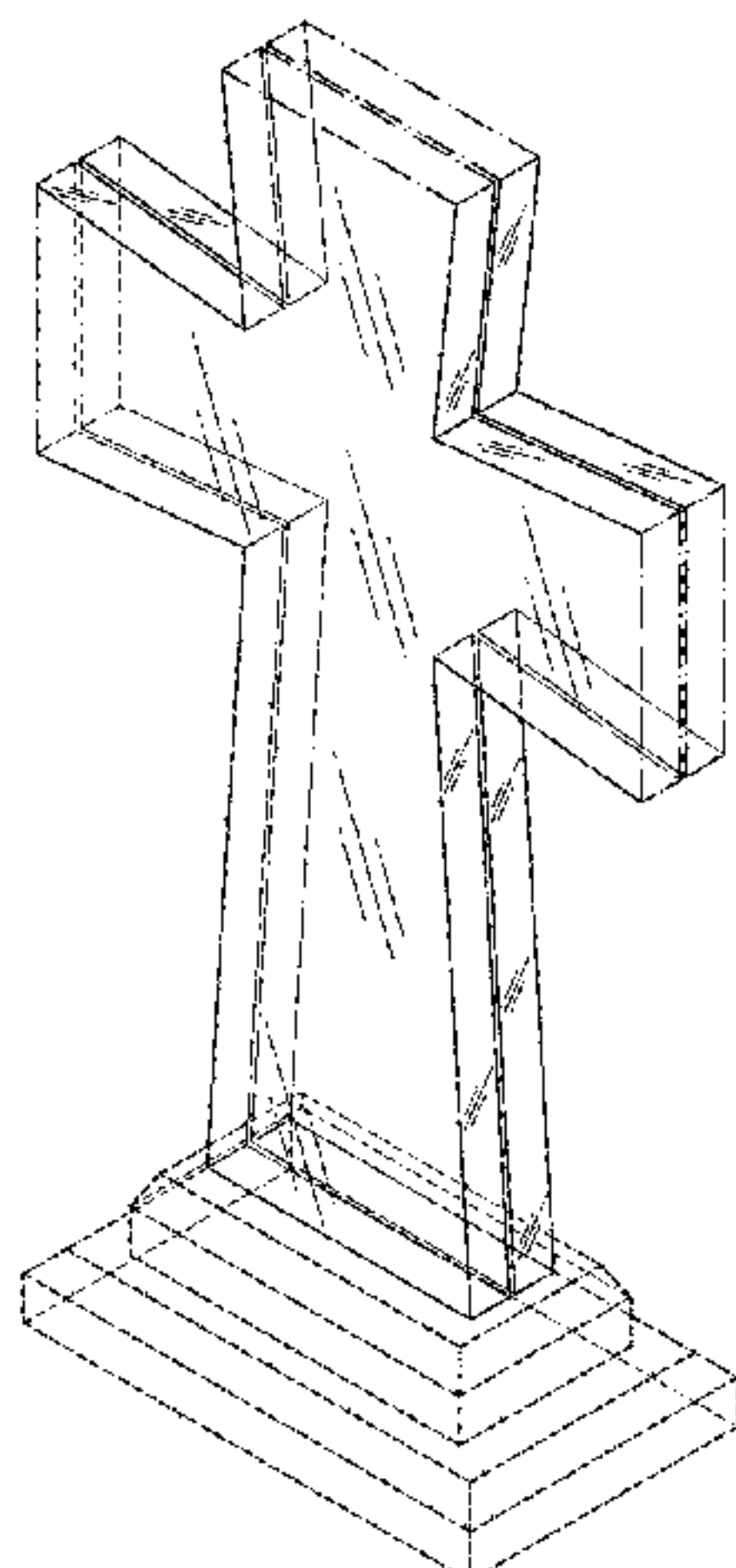
(57) **CLAIM**

The ornamental design for a cross-shaped display stand, as shown and described.

**DESCRIPTION**

FIG. 1 is a top perspective view of a cross-shaped display stand in accordance with the present invention;  
FIG. 2 is a bottom perspective view thereof;  
FIG. 3 is a front elevational view thereof;  
FIG. 4 is a rear elevational view thereof;  
FIG. 5 is a right side view thereof, with the left side view being identical;  
FIG. 6 is a top view thereof; and,  
FIG. 7 is a bottom view thereof.  
The evenly dashed broken lines are shown for the purpose of illustrating parts of the article that form no part of the

(Continued)



claimed design. The dot-dash broken lines illustrate the boundaries of the claim and form no part thereof.

**1 Claim, 5 Drawing Sheets**

RE45,843 E *	1/2016	Kroll	.....	D6/300
D752,367 S *	3/2016	Kroll	.....	D20/29
D752,368 S *	3/2016	Kroll	.....	D20/29
D757,466 S *	5/2016	Kroll	.....	D20/29
RE46,061 E *	7/2016	Kroll	.....	D6/674
RE46,084 E *	8/2016	Kroll	.....	D6/674

OTHER PUBLICATIONS

(56)

**References Cited**

U.S. PATENT DOCUMENTS

D671,770 S	12/2012	Kroll	
D696,813 S *	12/2013	Odisho	..... D26/125
RE45,427 E *	3/2015	Kroll	..... D6/300
RE45,428 E *	3/2015	Kroll	..... D6/300
RE45,546 E *	6/2015	Kroll	..... D6/674
RE45,560 E *	6/2015	Kroll	..... D6/300
RE45,622 E *	7/2015	Kroll	..... D6/300
D745,793 S *	12/2015	Kroll	..... D20/29
D746,086 S *	12/2015	Kroll	..... D20/29

Byzantine Votive or Dedicatory Cross: Announced Apr. 7, 2012  
[online], acquired by the Walters Art Museum [1929], created circa  
550 CE [Greece], excavated in Syria [1908-1910] . Available from  
Internet URL://[https://commons.wikimedia.org/wiki/  
File:Byzantine\\_-\\_Votive\\_or\\_Dedicatory\\_Cross\\_-\\_Walters\\_  
57630.jpg](https://commons.wikimedia.org/wiki/File:Byzantine_-_Votive_or_Dedicatory_Cross_-_Walters_57630.jpg).\*

\* cited by examiner

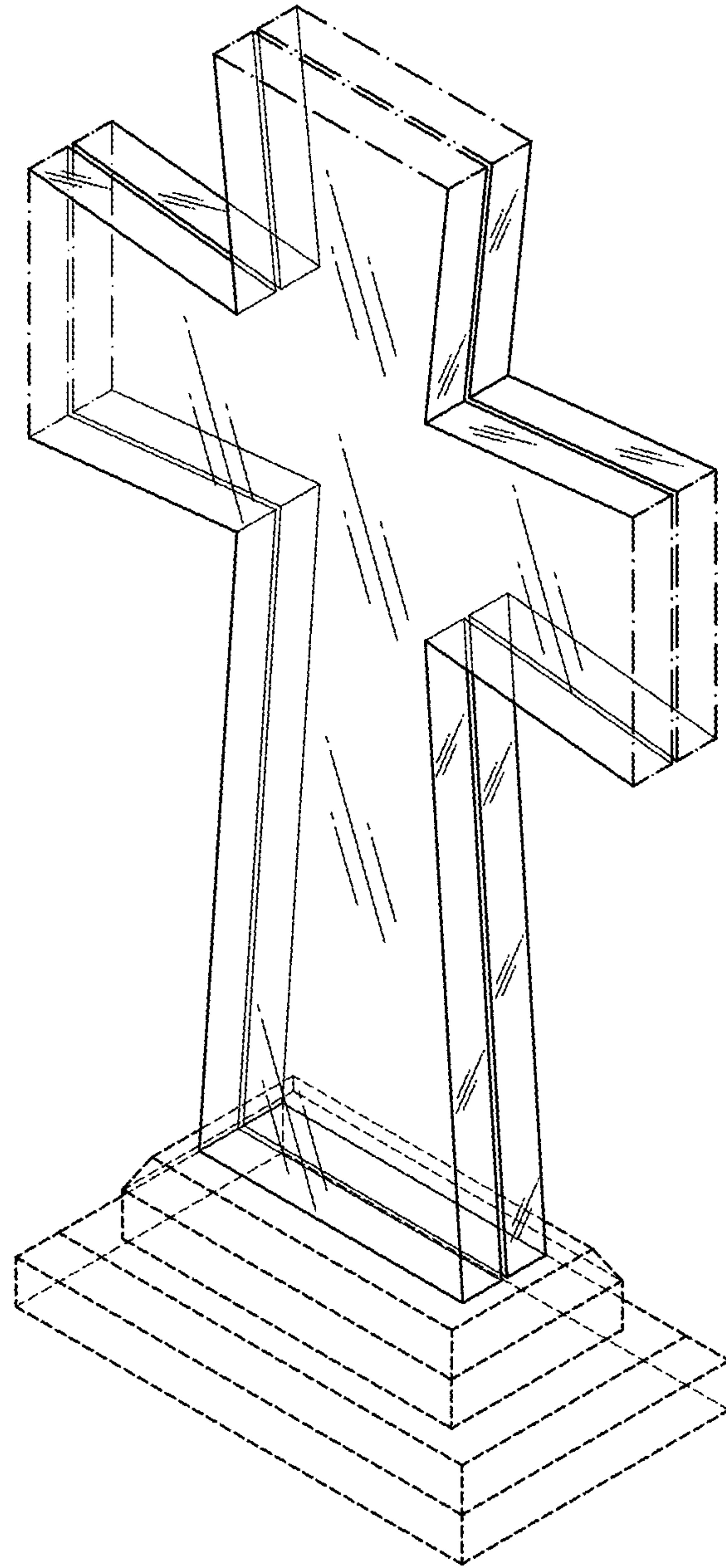


FIG. 1

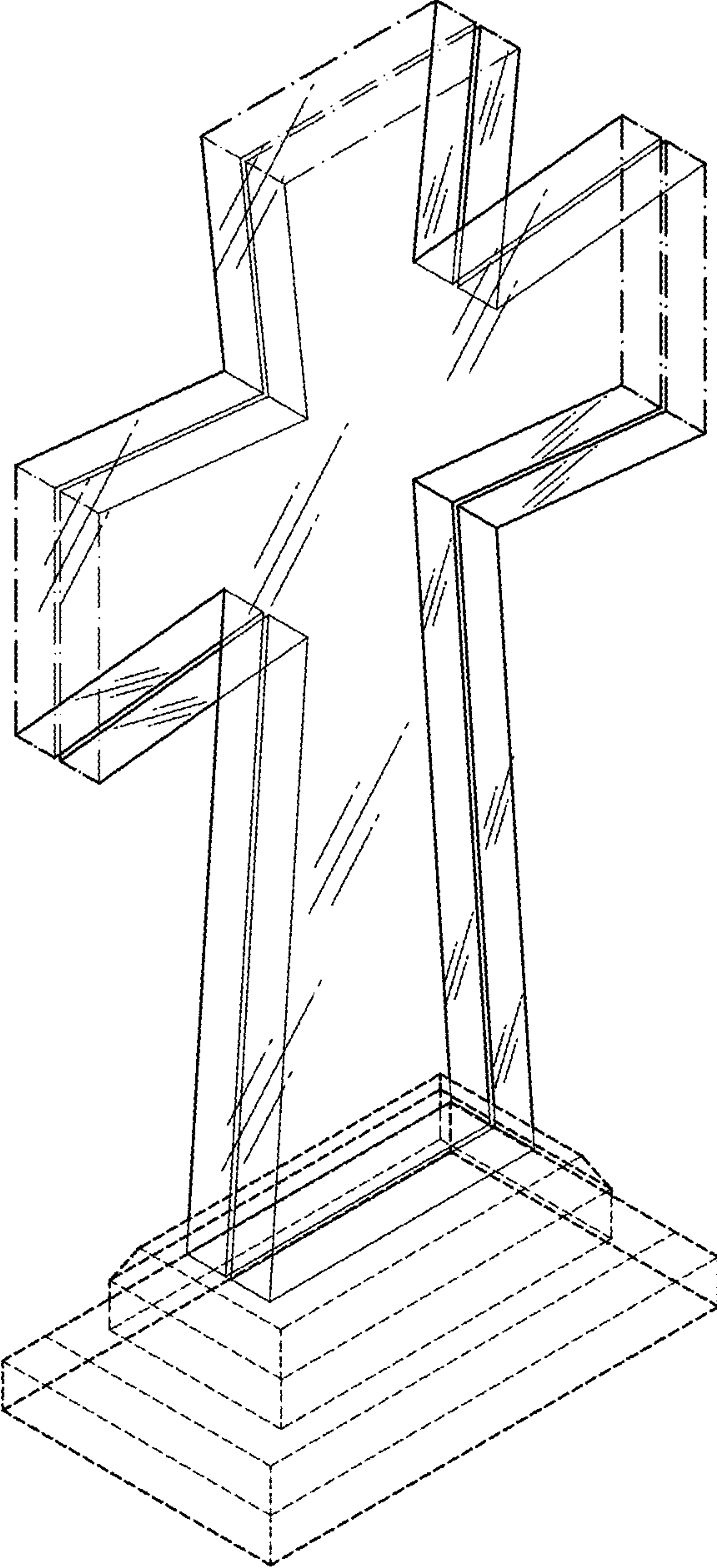


FIG. 2

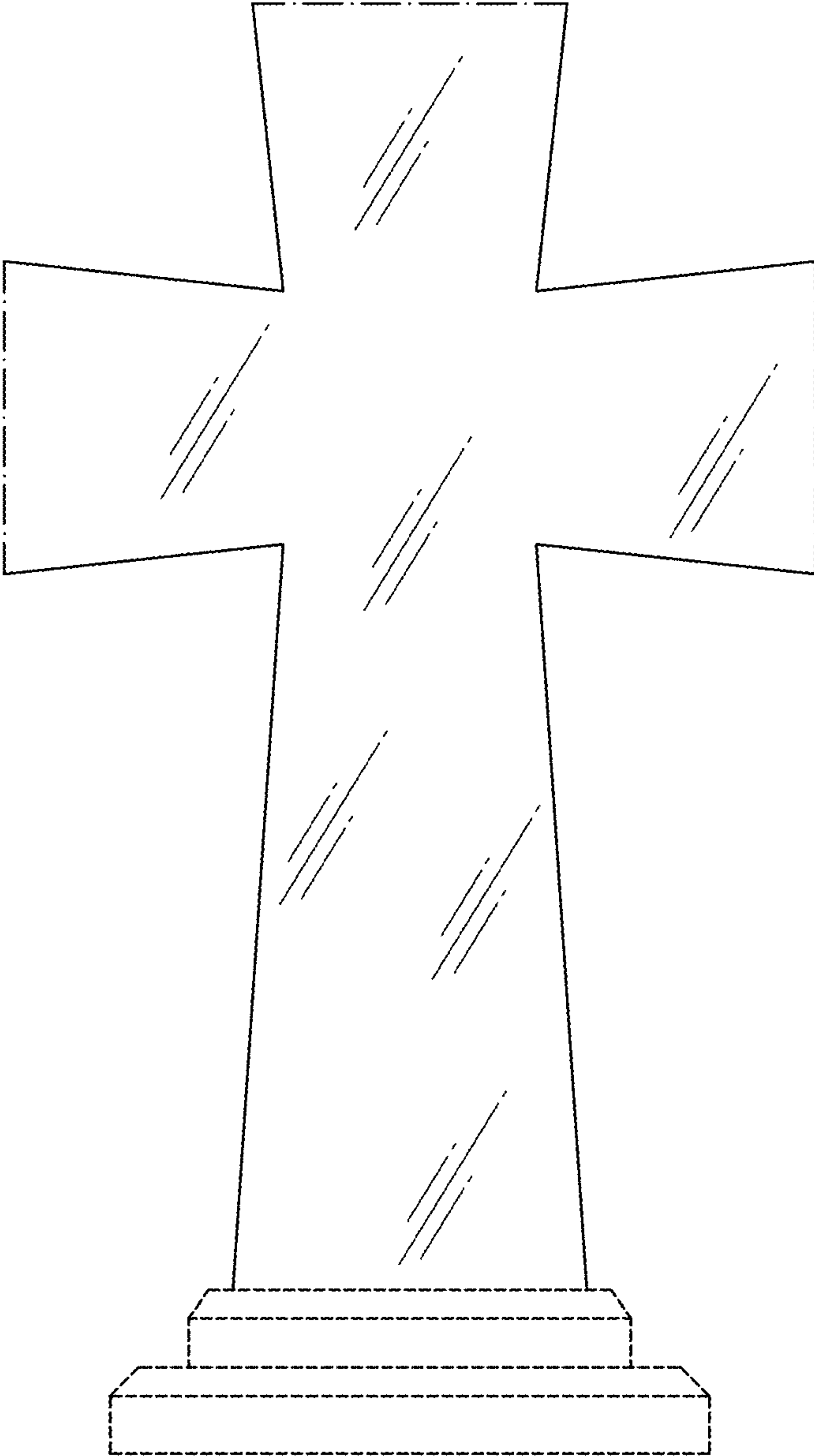


FIG. 3



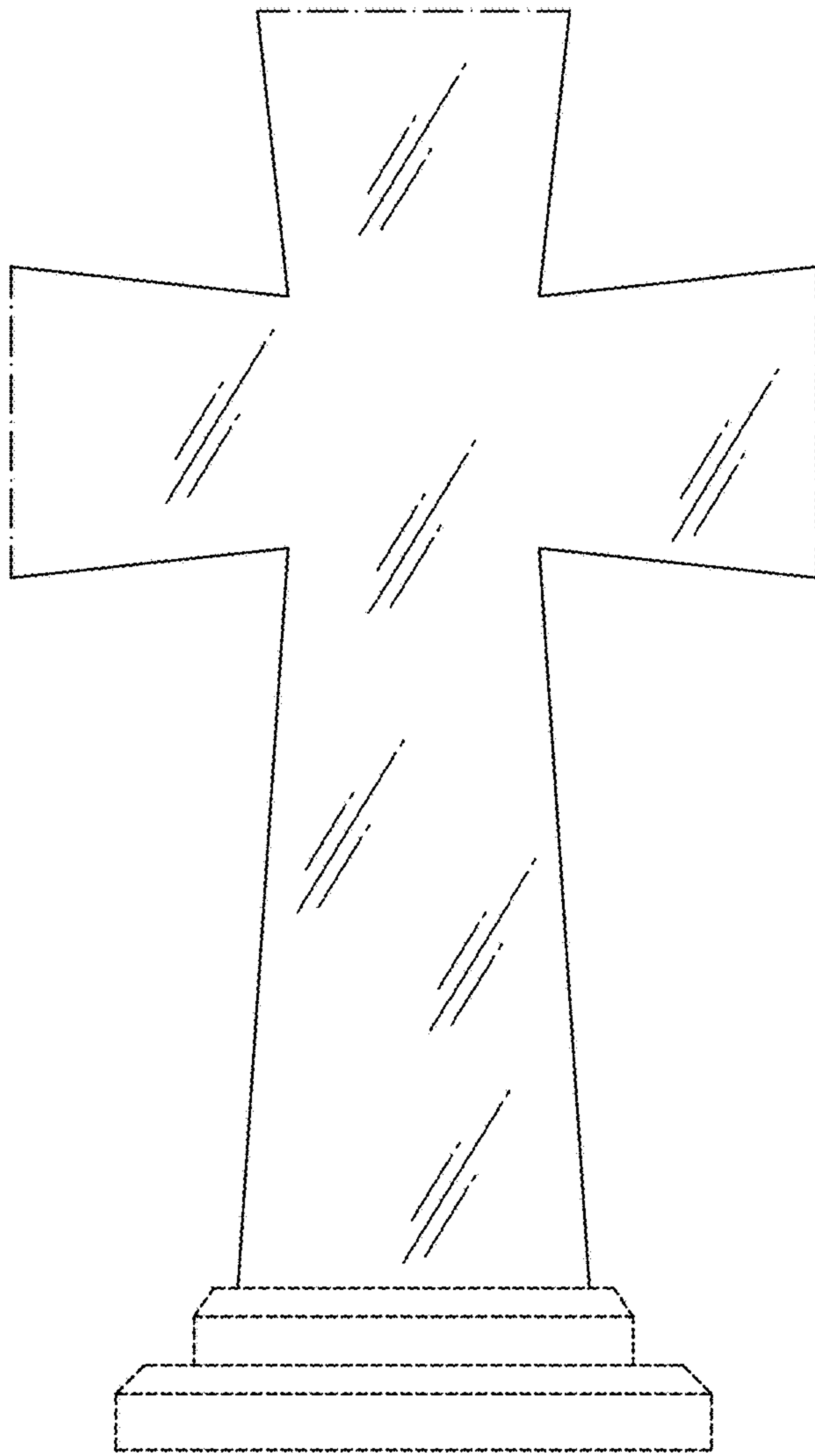


FIG. 4

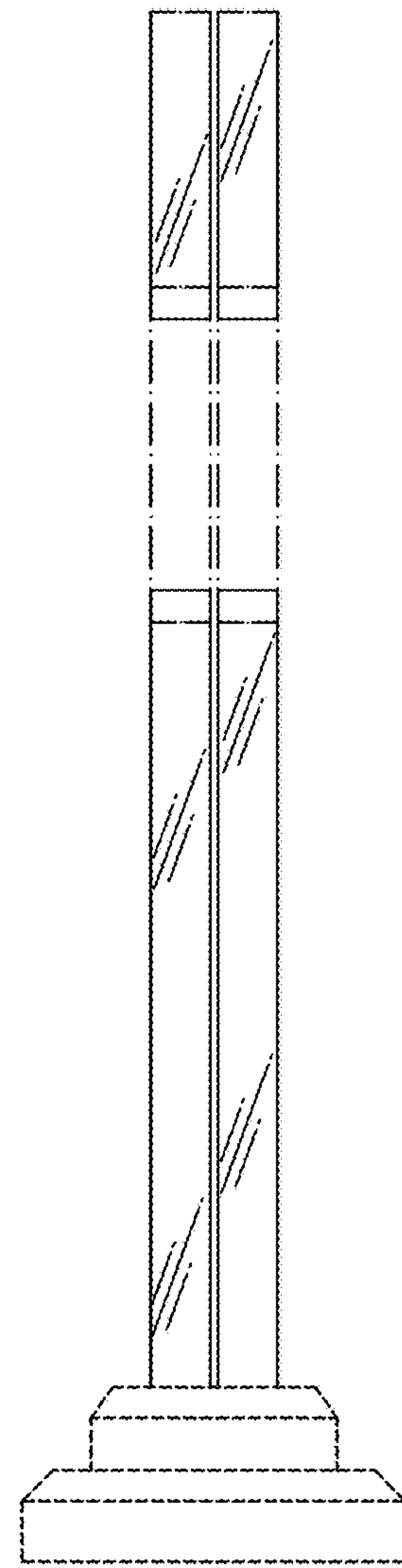


FIG. 5

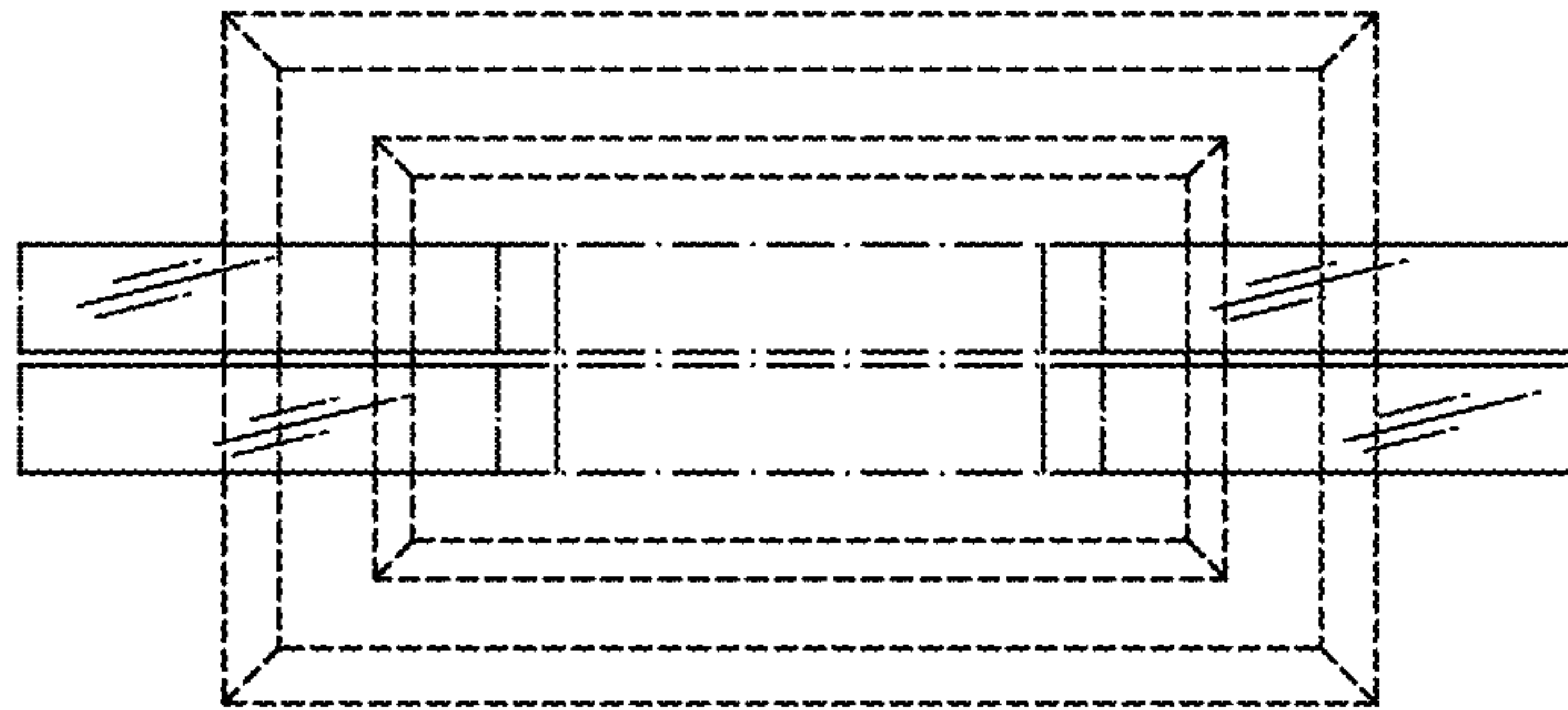


FIG. 6

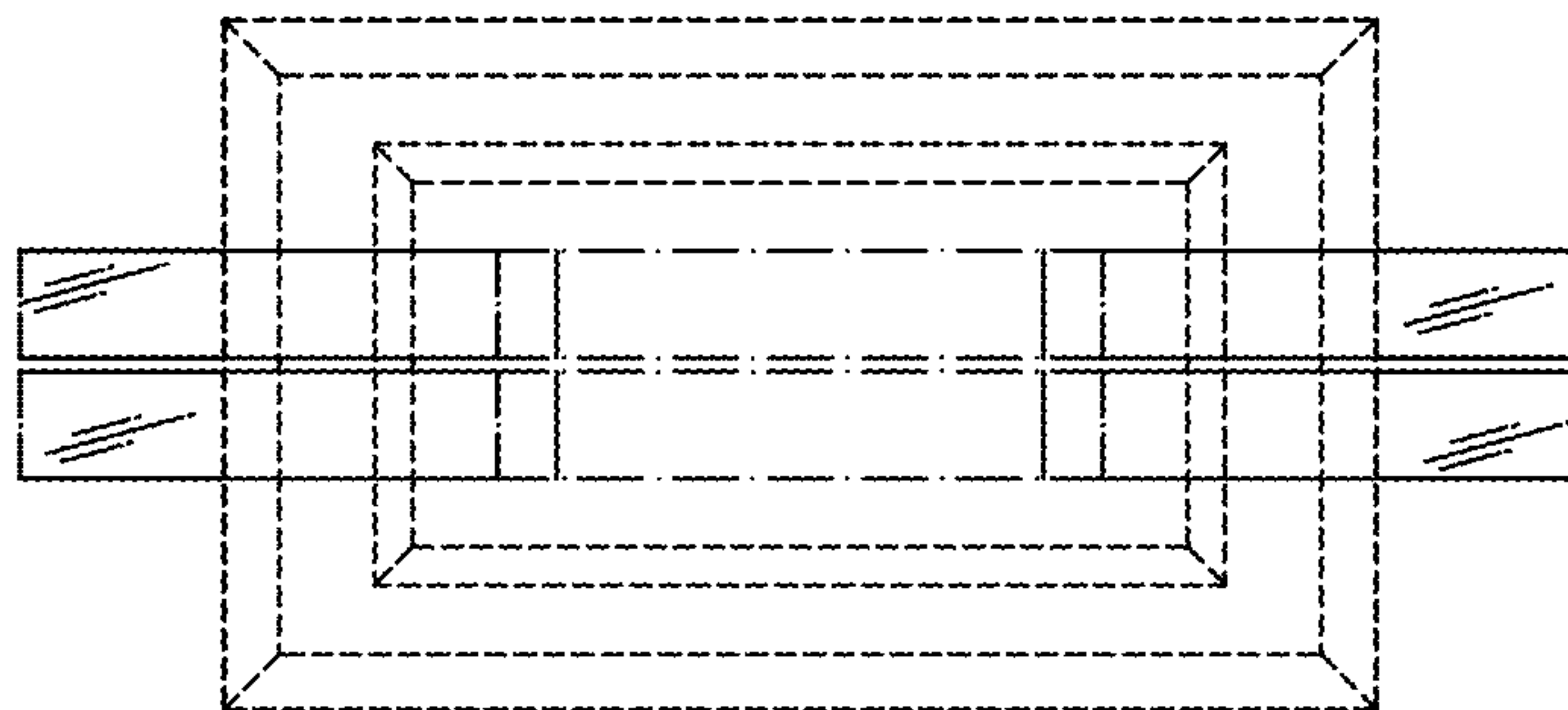


FIG. 7