



US00D774805S

(12) **United States Design Patent**
Thiele

(10) **Patent No.:** **US D774,805 S**

(45) **Date of Patent:** **** Dec. 27, 2016**

(54) **RETAIL STORE ELECTRONIC DEVICE EXHIBIT**

(71) Applicant: **Sony Corporation**, Tokyo (JP)

(72) Inventor: **David George Thiele**, San Diego, CA (US)

(73) Assignee: **Sony Corporation**, Tokyo (JP)

(**) Term: **14 Years**

(21) Appl. No.: **29/493,222**

(22) Filed: **Jun. 6, 2014**

Related U.S. Application Data

(63) Continuation-in-part of application No. 29/491,193, filed on May 19, 2014.

(51) **LOC (10) Cl.** **06-04**

(52) **U.S. Cl.**
USPC **D6/672**

(58) **Field of Classification Search**

USPC D6/641, 652, 661, 2, 668, 670, 672, 673, D6/674, 675.3, 675.4, 677.4, 678.3, D6/680.2, 681, 683.1, 685, 691.5, 698, D6/699, 699.1, 699.2, 700, 707.2, 718; D14/130, 300, 302, 305, 307, 308, 371, D14/387, 900; D25/1-35; 52/33, 36.1, 52/79.1-79.1, 79.6, 80.1, 80.2, 90.1, 52/91.1-91.3, 92.3, 93.1, 93.2, 169.6, 52/220.7, 239; D18/44; D19/59; D20/10; 235/383; 725/78; 108/50.2, 64, 223.6, 108/107; 361/679.48; 312/196, 195, 306, 312/7.2, 205

CPC A47F 7/00; A47F 3/00; A47B 87/00; E04B 2002/7483; E04B 2002/7488

See application file for complete search history.

(56) **References Cited**

U.S. PATENT DOCUMENTS

D101,014 S * 8/1936 Strickler D3/294
D262,757 S * 1/1982 Stiles D6/661

D322,185 S * 12/1991 McInnis D6/661
D326,935 S * 6/1992 Watters D30/101
D487,853 S * 3/2004 Woods D6/662
D591,979 S * 5/2009 Singler D6/672
8,205,950 B1 * 6/2012 Bockheim A47B 21/00
312/223.6
D680,349 S * 4/2013 Johnson D6/686
D685,203 S * 7/2013 Johnson D6/673
D686,011 S * 7/2013 Credle D6/699

OTHER PUBLICATIONS

Sony Press Release: Announced May 1, 2014 [online], site visited [Aug. 27, 2015]. Available from Internet URL: <http://blog.sony.com/press/28279/>.*

Sony Experience at Best Buy: Announced May 1, 2014 [online], site visited Aug. 27, 2015. Available from Internet URL: <http://time.com/83648/sony-best-buy/>.*

* cited by examiner

Primary Examiner — Thomas Johannes

Assistant Examiner — Catherine Posthauer

(74) *Attorney, Agent, or Firm* — John L. Rogitz

(57) **CLAIM**

The ornamental design for a retail store electronic device exhibit, as shown and described.

DESCRIPTION

FIG. 1 is a perspective view of the retail store electronic device exhibit, showing the control lectern immediately next to the front wall;

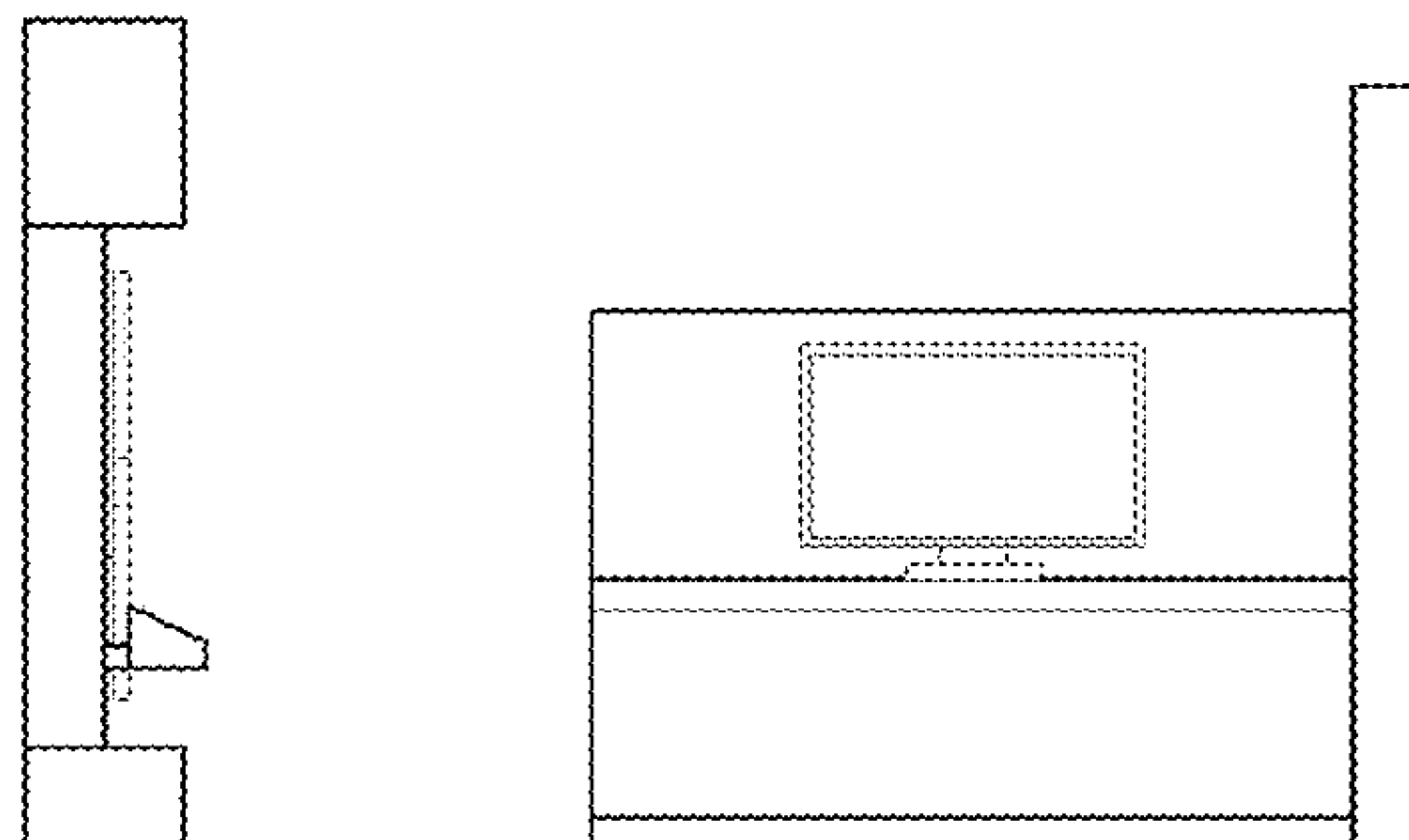
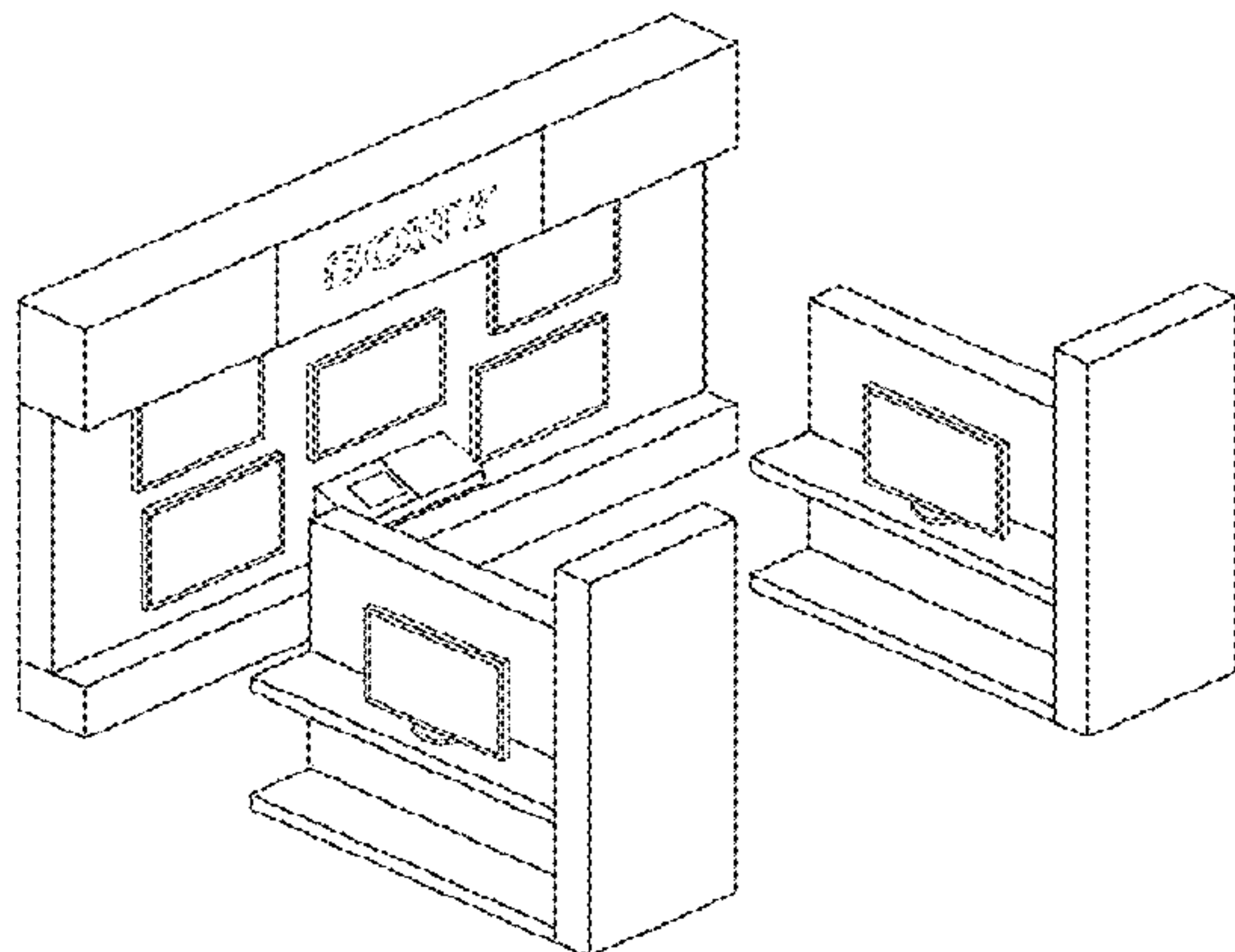
FIG. 2 is a front view of FIG. 1;

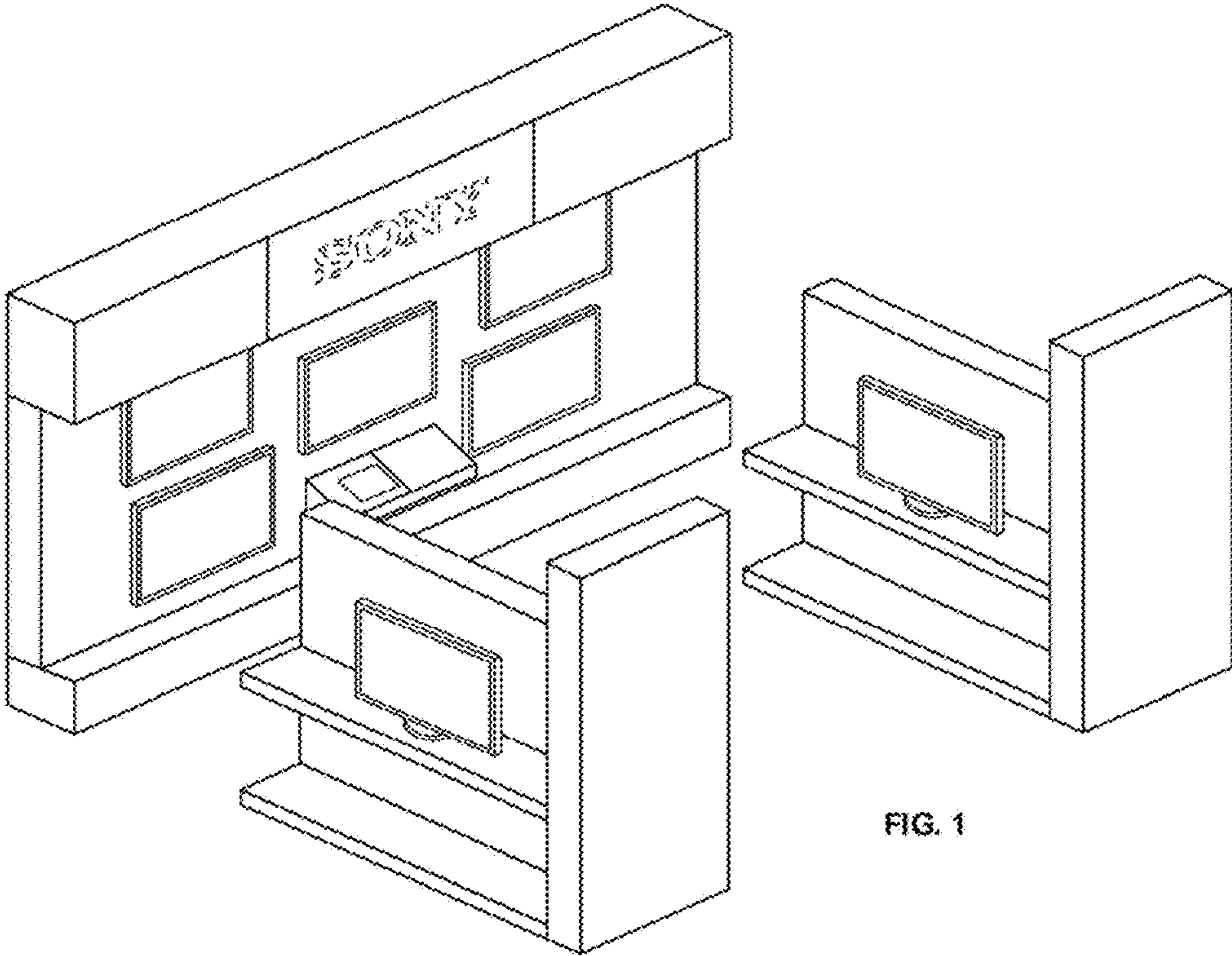
FIG. 3 is a right side view of FIG. 1; and,

FIG. 4 is a left side view of FIG. 1, it being understood the consumers cannot see the retail store electronic device exhibit from the rear, top, or bottom.

The “Sony” logo in FIGS. 1 and 2 is a registered trademark of Sony Corporation and forms no part of the claimed design. The broken lines are shown for the purpose of illustrating parts of the article that form no part of the claimed design.

1 Claim, 4 Drawing Sheets





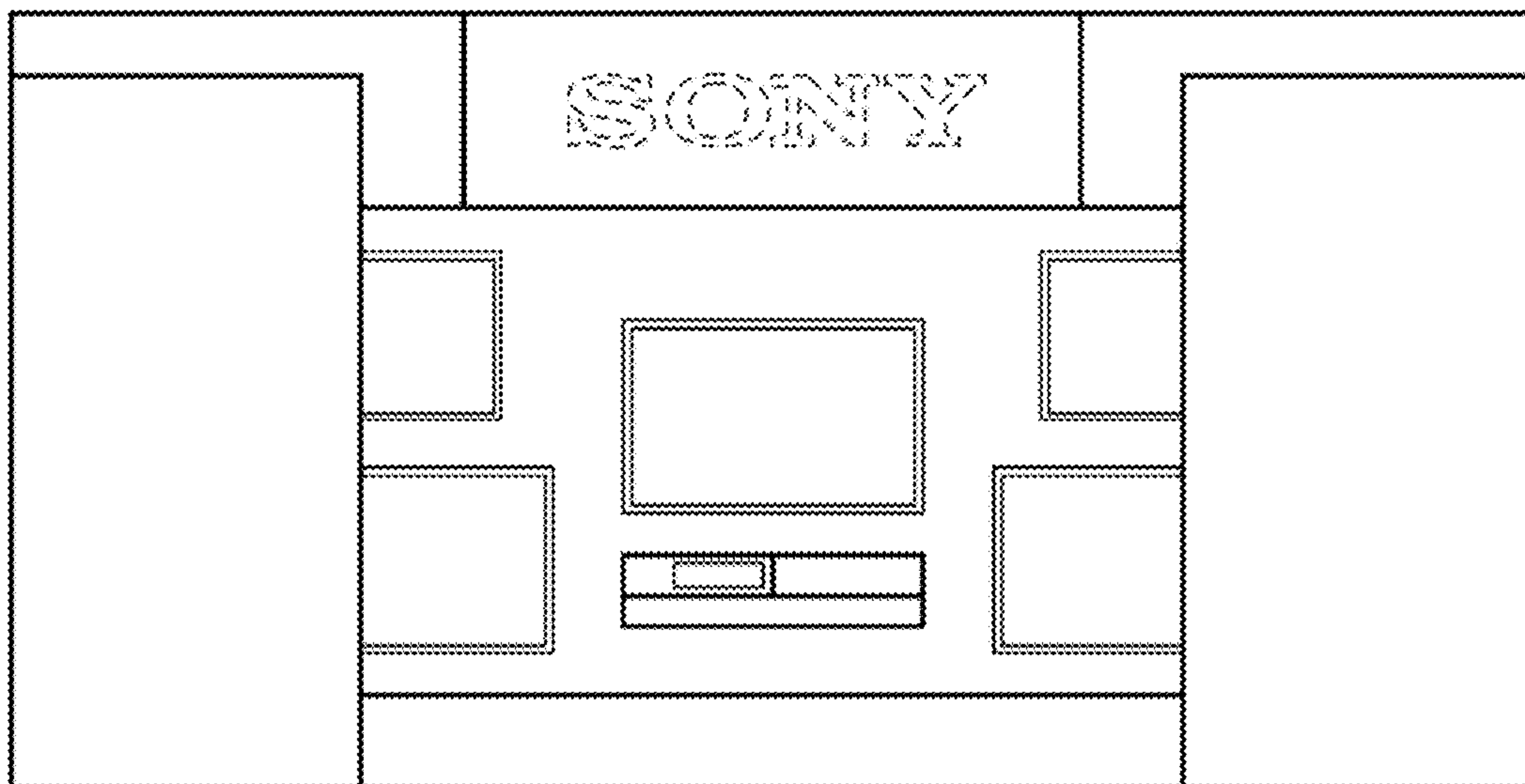


FIG. 2

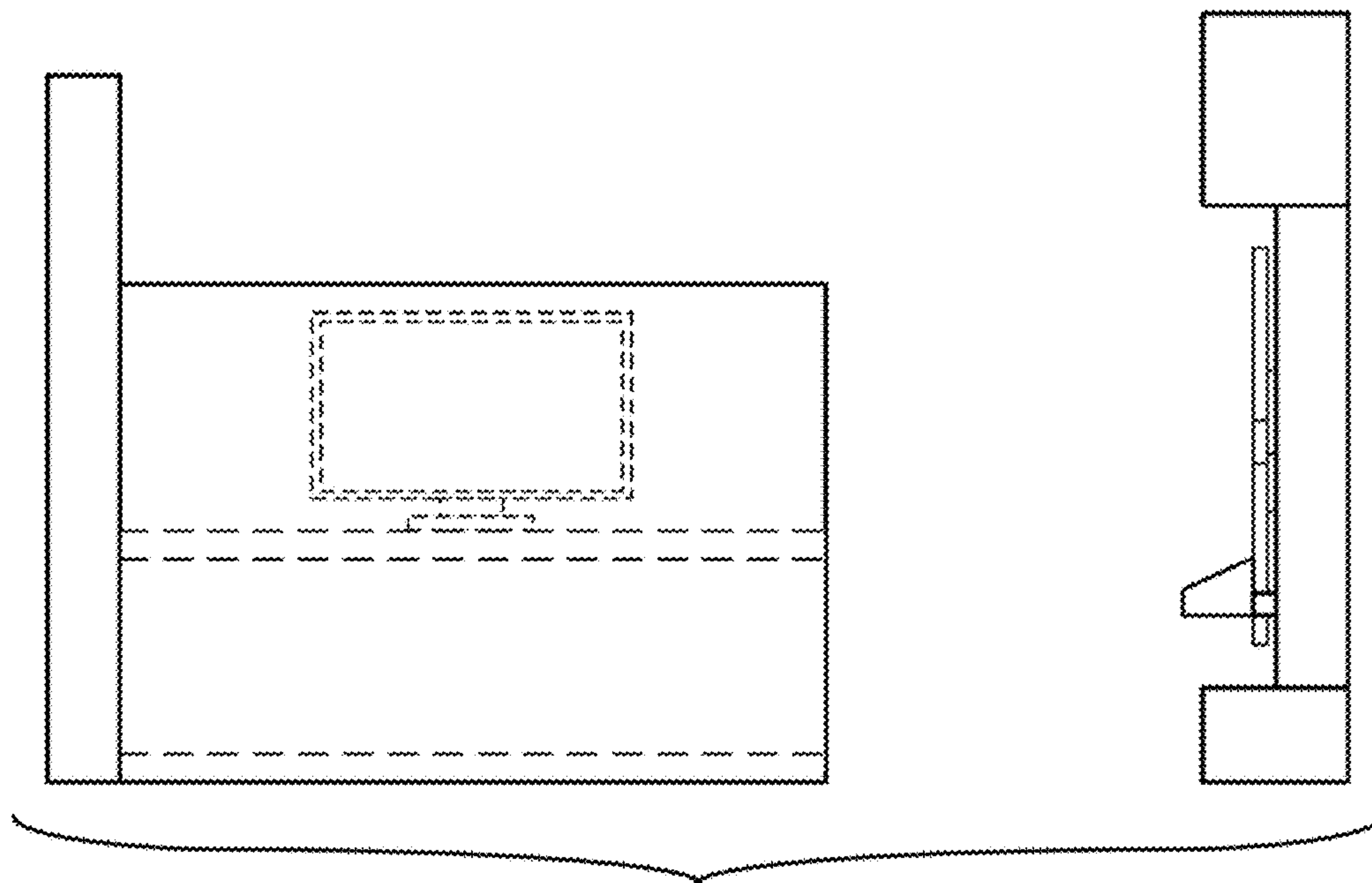


FIG. 3

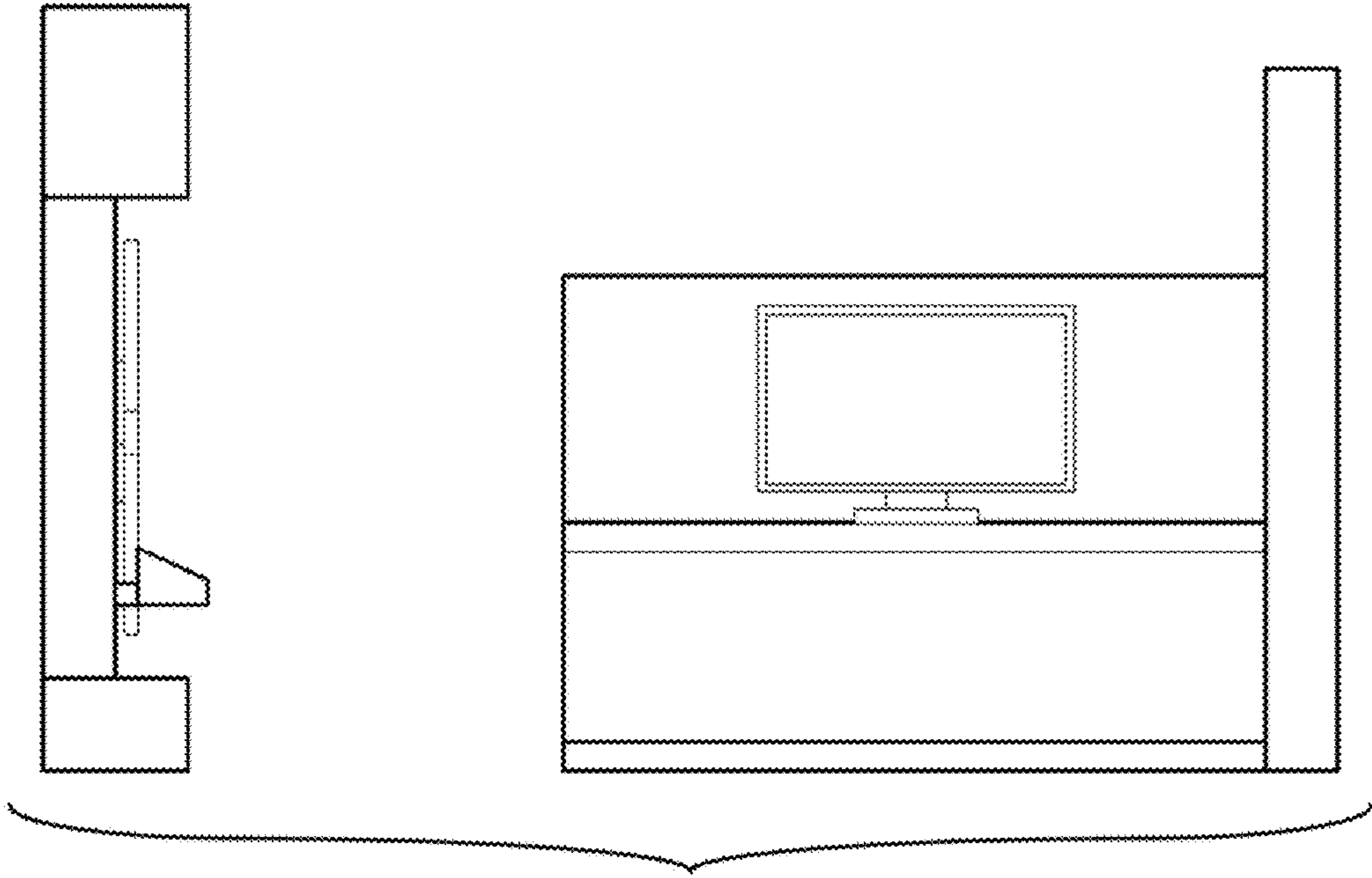


FIG. 4