



US00D774803S

(12) **United States Design Patent**
Domkam

(10) **Patent No.:** **US D774,803 S**

(45) **Date of Patent:** **** Dec. 27, 2016**

(54) **PILLOW**

(71) Applicant: **Isabelle Domkam**, Duluth, GA (US)

(72) Inventor: **Isabelle Domkam**, Duluth, GA (US)

(73) Assignee: **Isabelle Dom Kam Fon Kou**, Duluth, GA (US)

(**) Term: **15 Years**

(21) Appl. No.: **29/529,117**

(22) Filed: **Jun. 3, 2015**

(51) **LOC (10) Cl.** **06-09**

(52) **U.S. Cl.**
USPC **D6/601**

(58) **Field of Classification Search**

USPC D6/333, 349, 355, 375, 388, 512, 563,
D6/564, 595, 596, 601, 604, 611, 707,
D6/715, 716, 716.1; D24/183-185, 234;
D21/803, 804, 805, 809; 5/401, 420, 600,
D21/630, 631, 5/632, 633, 635, 636, 638,
D21/639, 646, 652, 5/652.1, 655, 703,
D21/730; 297/1, 2, 4, 93, 180.11, 195.1,
297/195.11, 195.13, 393, 397,
297/452.12, 452.14, 452.15, 452.21,
297/452.24, 452.26, 452.48, 452.62, 482
CPC A47G 9/10; A47G 9/1009; A47G 9/1018;
A47G 9/1027; A47G 9/1036; A47G
9/1045; A47G 9/1063; A47G
9/1072; A47G 9/1081; A47G
9/109; A47C 7/021; A47C 27/00
See application file for complete search history.

(56) **References Cited**

U.S. PATENT DOCUMENTS

D135,748 S * 6/1943 Baumgartner D19/2
D309,392 S * 7/1990 Hafvenstein D6/601

D332,371 S * 1/1993 Gurman D6/601
D362,579 S * 9/1995 Short D6/336
D376,287 S * 12/1996 Bennett D6/595
D379,047 S * 5/1997 Richard D6/368
D436,281 S * 1/2001 Thompson D6/333
D437,901 S * 2/2001 Forman D21/662
D440,805 S * 4/2001 Rogone D6/333
D441,967 S * 5/2001 Reithmeier D6/333
D508,181 S * 8/2005 Welch D6/592
D557,965 S * 12/2007 Rybinski D6/601
D580,694 S * 11/2008 Horne D6/596
D595,524 S * 7/2009 Sammons D6/596
D611,253 S * 3/2010 Lown D3/301
D628,004 S * 11/2010 Moorefield D6/601
D629,204 S * 12/2010 Spira 150/112
D666,001 S * 8/2012 Phillips D3/303
D693,142 S * 11/2013 Bohl D19/3
D706,060 S * 6/2014 Chen D6/601
D708,867 S * 7/2014 Rajusth D6/596
D752,360 S * 3/2016 Hadley D6/601
D752,361 S * 3/2016 Cumby D6/601

* cited by examiner

Primary Examiner — Rosemary K Tarcza

Assistant Examiner — Sanjeev Paul

(74) *Attorney, Agent, or Firm* — Charlena Thorpe

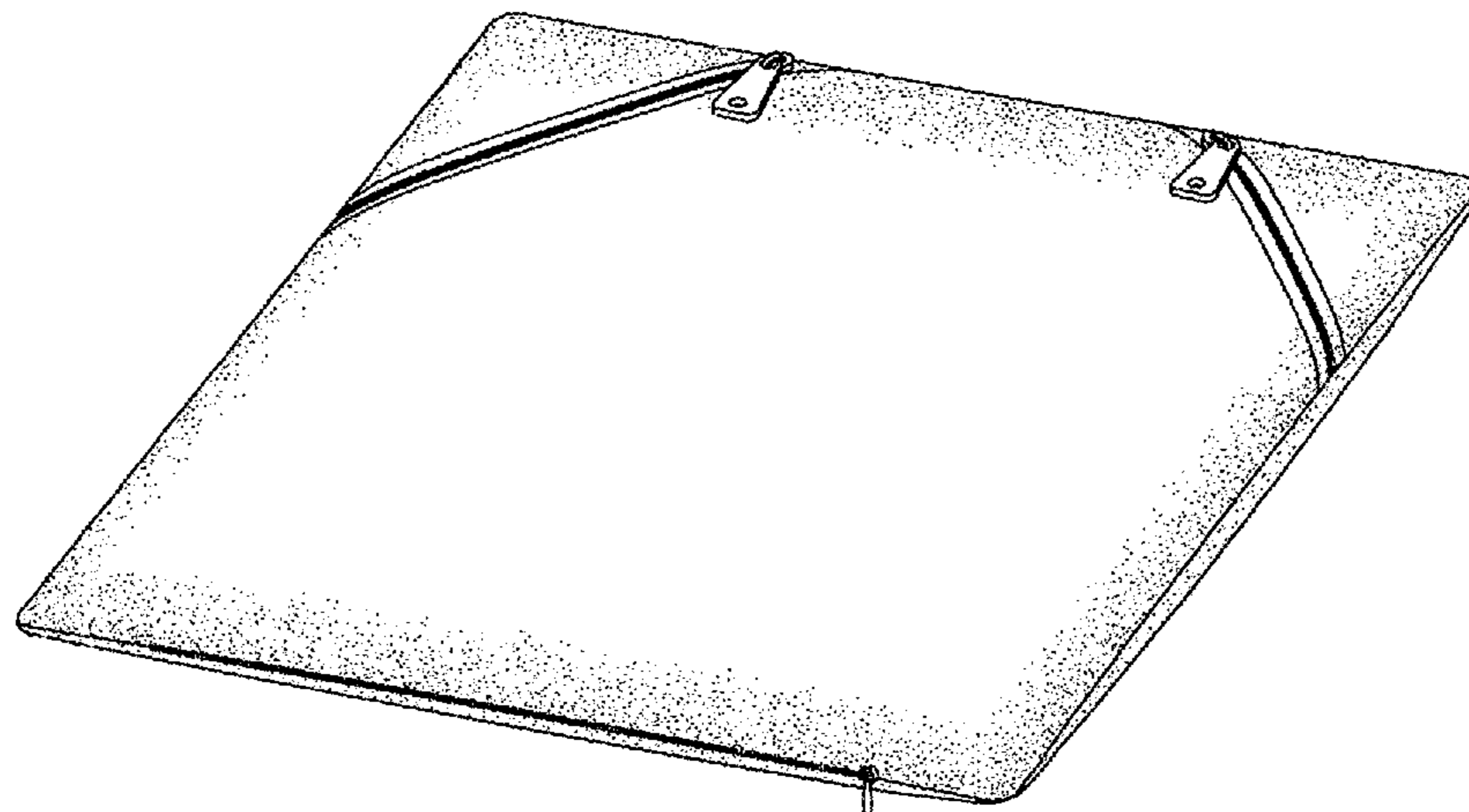
(57) **CLAIM**

The ornamental design for a pillow, as shown and described.

DESCRIPTION

FIG. 1 is a perspective view of the pillow;
FIG. 2 is a front view of the pillow when the zippers are closed;
FIG. 3 is another front view of the pillow when the zippers are unzipped;
FIG. 4 is a back view of the pillow;
FIG. 5 is a right side view thereof;
FIG. 6 is a left side view thereof; and,
FIG. 7 is a perspective view from the top of the pillow.

1 Claim, 6 Drawing Sheets



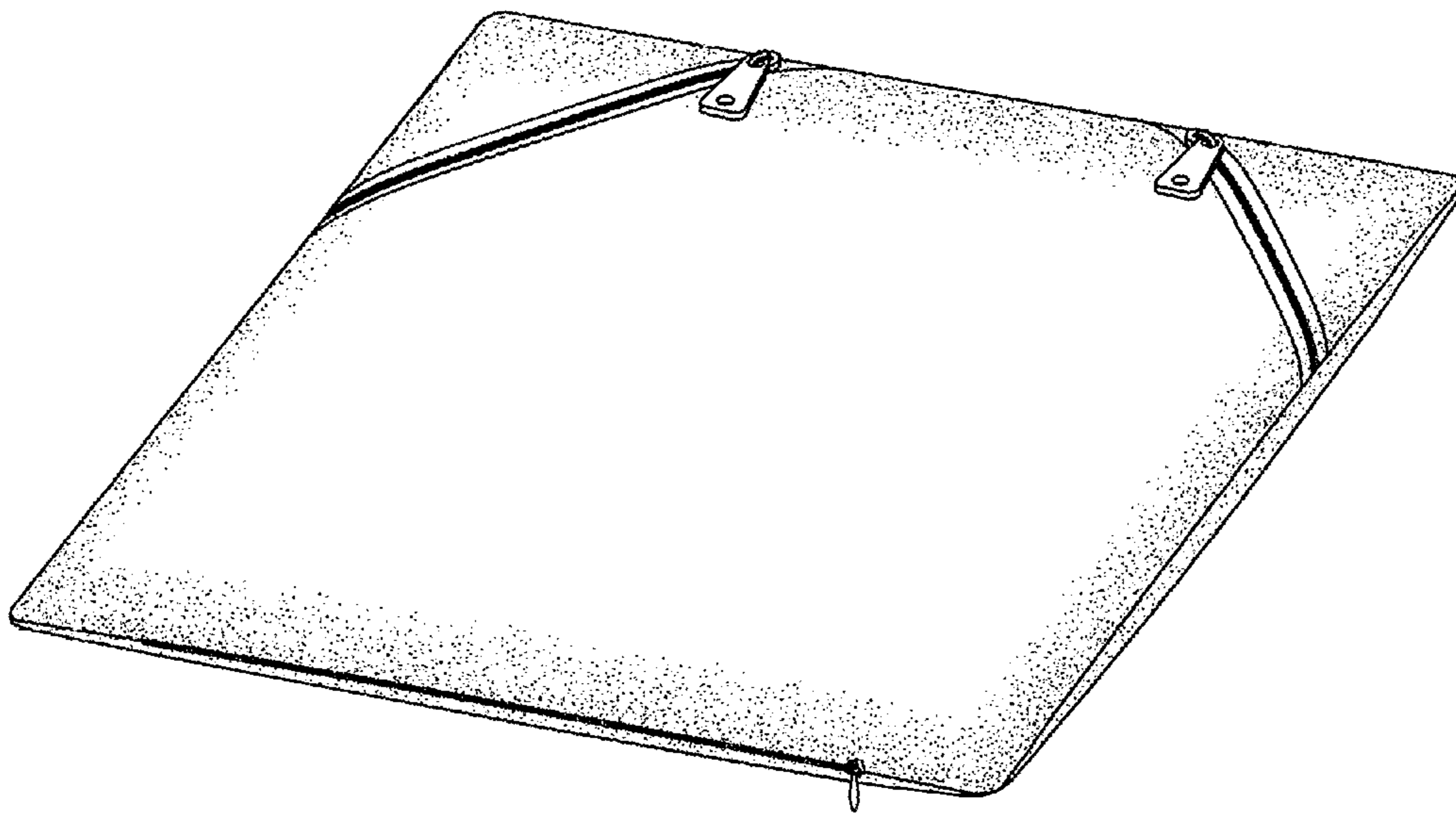


FIG. 1

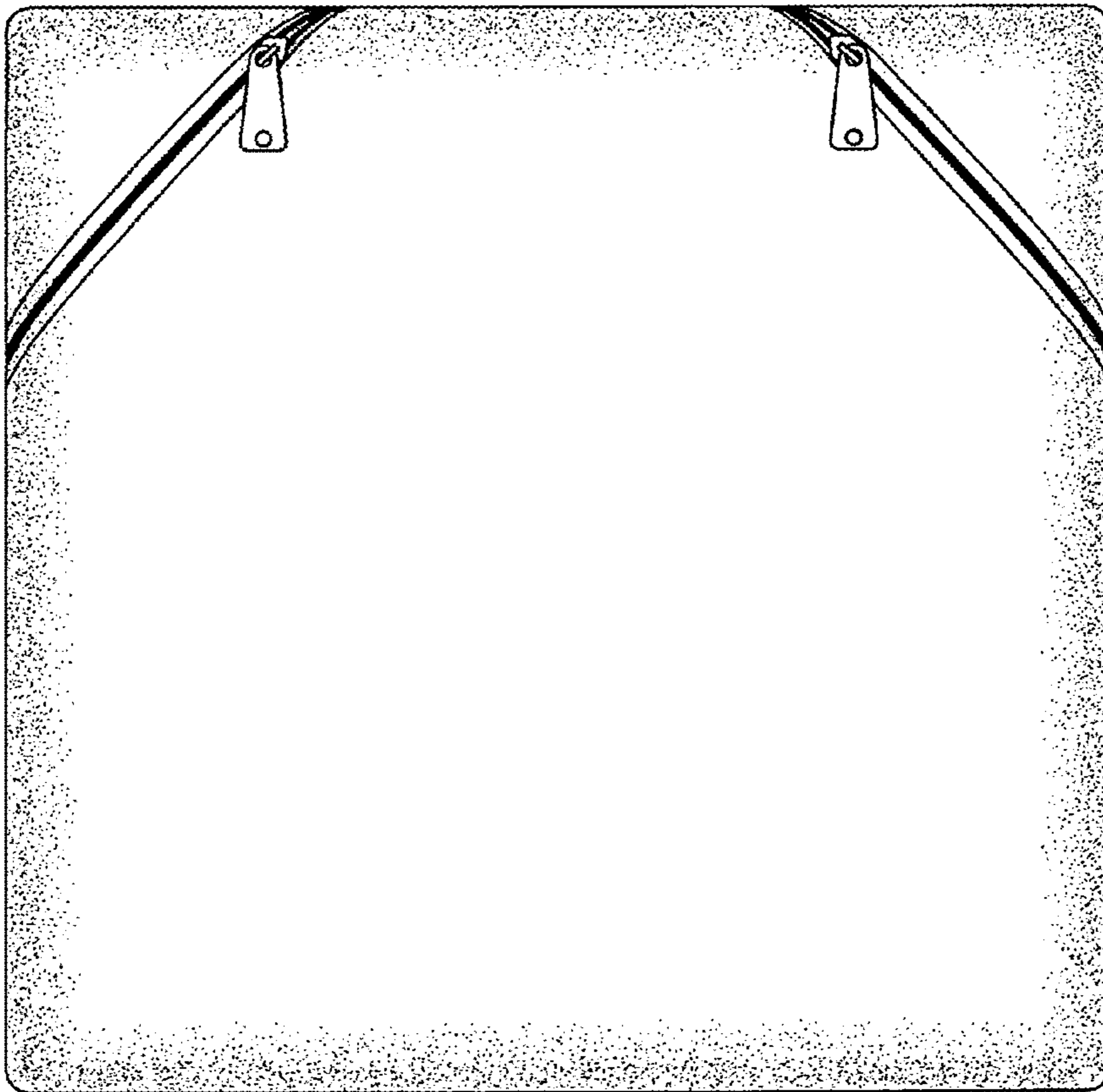


FIG. 2

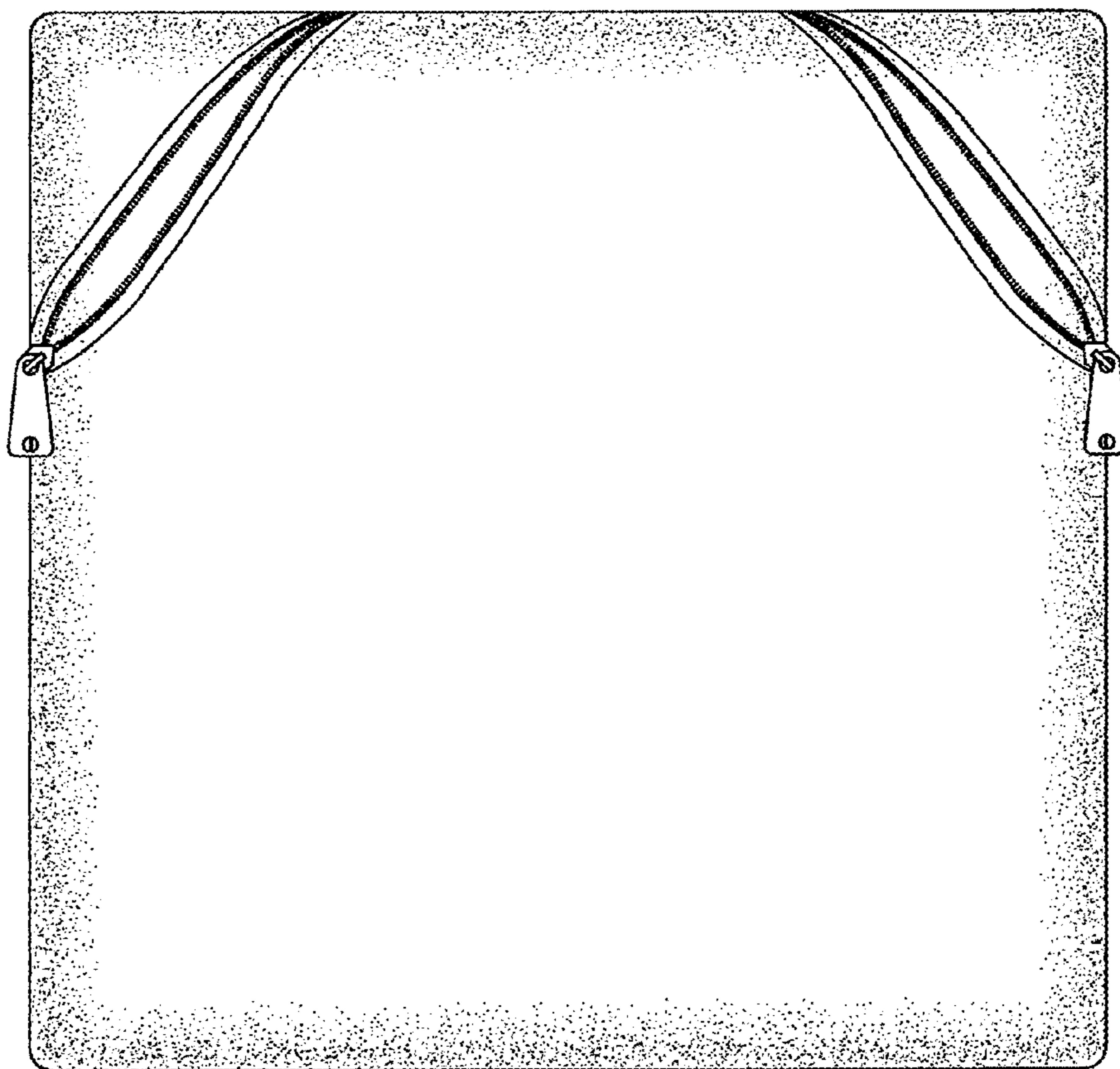


FIG. 3

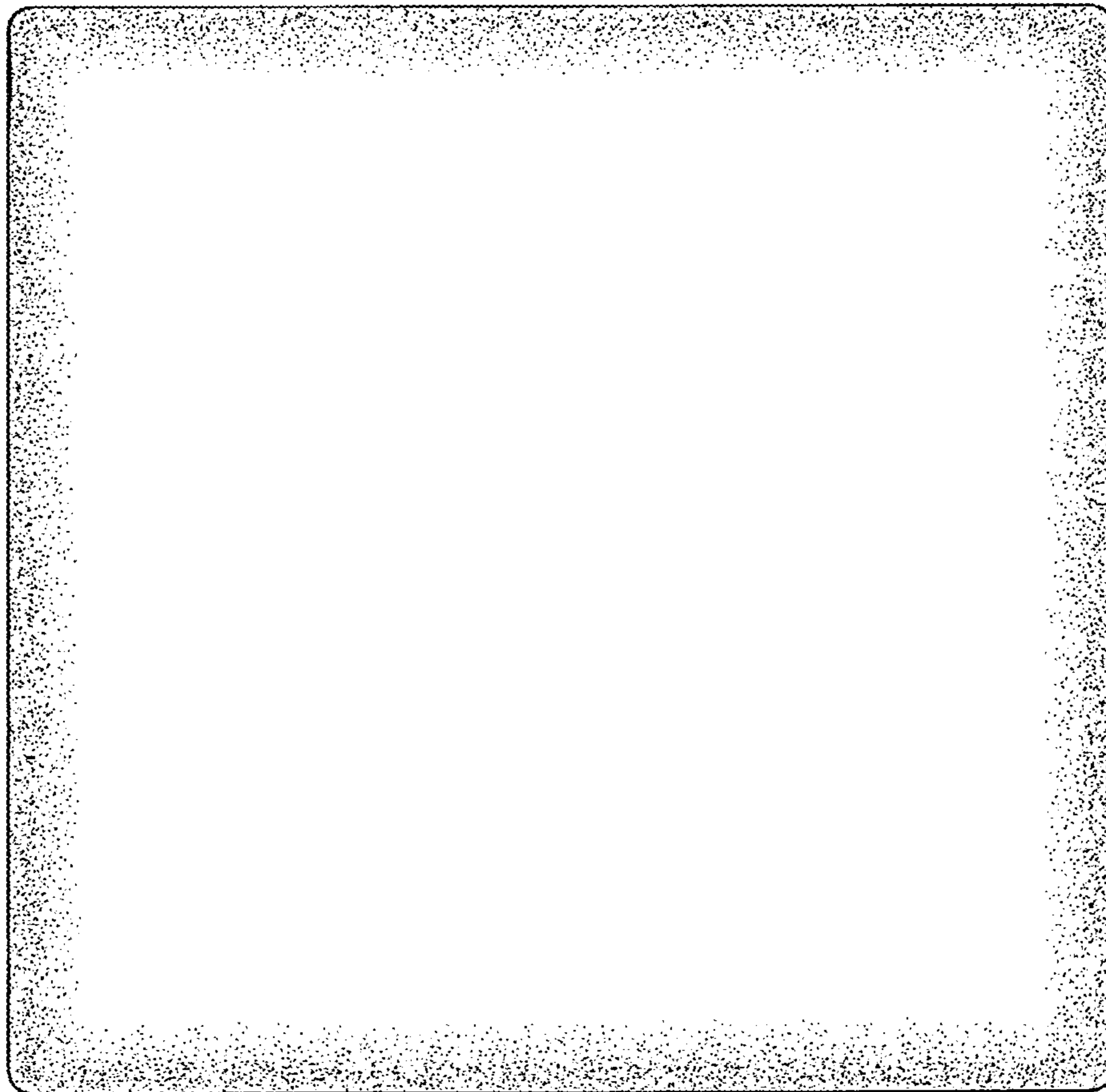


FIG. 4



FIG. 5

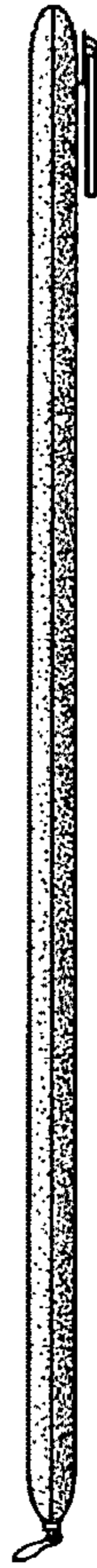


FIG. 6

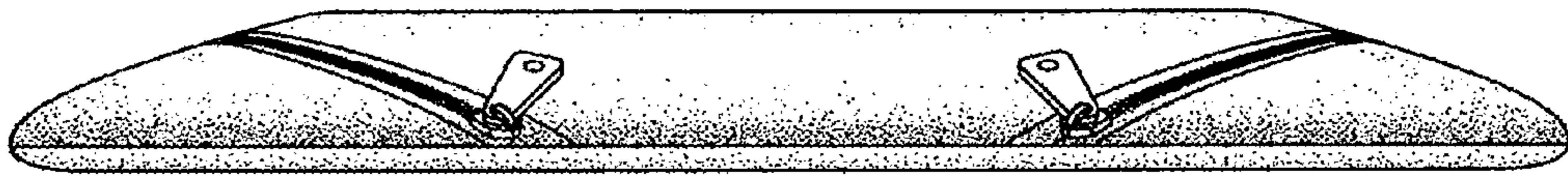


FIG. 7