



US00D774801S

(12) **United States Design Patent** (10) **Patent No.:** **US D774,801 S**  
**Clark et al.** (45) **Date of Patent:** **\*\* \*Dec. 27, 2016**

(54) **PORTABLE SLEEPING ASSEMBLY**  
(71) Applicants: **Elyse Clark**, Newtown, CT (US);  
**Kelley Ann Foley**, Danbury, CT (US)  
(72) Inventors: **Elyse Clark**, Newtown, CT (US);  
**Kelley Ann Foley**, Danbury, CT (US)

D666,862 S \* 9/2012 Edery ..... D6/602  
D677,961 S \* 3/2013 McKee ..... D6/595  
8,578,526 B1 \* 11/2013 Rosso ..... 5/419  
D709,302 S \* 7/2014 Berkland ..... D6/596  
2004/0107500 A1 \* 6/2004 Pigg ..... 5/413 R  
2005/0028277 A1 \* 2/2005 Gordon et al. .... 5/420

\* cited by examiner

(\* ) Notice: This patent is subject to a terminal disclaimer.

*Primary Examiner* — Mary Ann Calabrese  
(74) *Attorney, Agent, or Firm* — Welsh Flaxman & Gitler LLC

(\*\*) Term: **14 Years**

(21) Appl. No.: **29/477,545**

(57) **CLAIM**

The ornamental design for a portable sleeping assembly, as shown and described.

(22) Filed: **Dec. 23, 2013**

(51) **LOC (10) Cl.** ..... **06-09**

(52) **U.S. Cl.**  
USPC ..... **D6/596**; D6/601; D6/603

**DESCRIPTION**

(58) **Field of Classification Search**  
USPC ... D6/595–609; 5/413 R, 413 AM, 417–420,  
5/482, 485, 490–492, 494, 495, 497–502,  
5/630, 636, 639  
CPC ..... A47G 9/00; A47G 9/02; A47G 9/0207;  
A47G 9/0223; A47G 9/038; A47G  
9/0246; A47G 9/0253; A47G  
9/0261; A47G 9/0262; A47G 9/08; A47G  
9/086; A47G 9/1045  
See application file for complete search history.

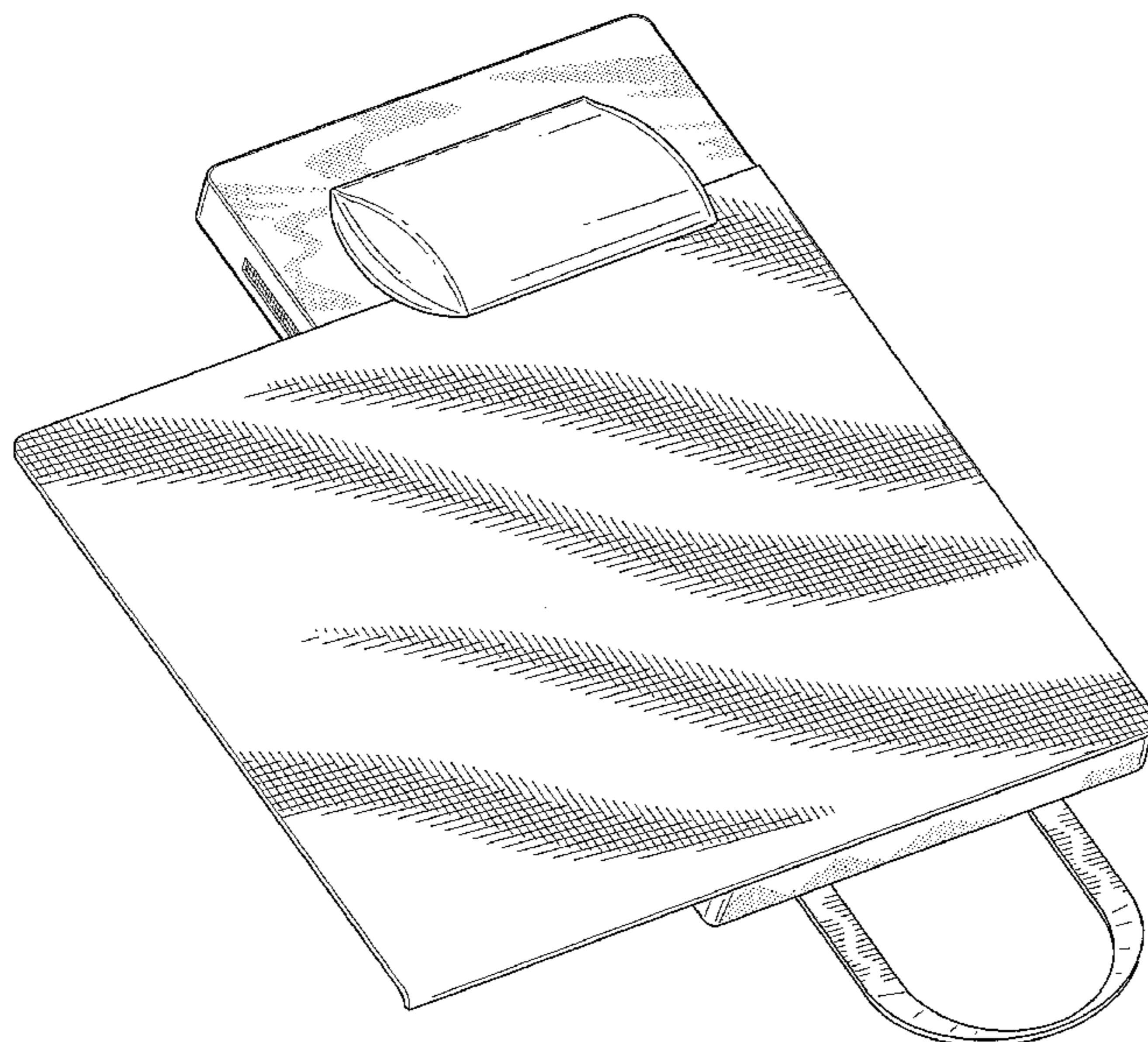
FIG. 1 is a top perspective view of the portable sleeping assembly with the blanket pulled fully across.  
FIG. 2 is a bottom perspective view of the portable sleeping assembly.  
FIG. 3 is a top view of the portable sleeping assembly.  
FIG. 4 is a bottom view of the portable sleeping assembly.  
FIG. 5 is a side view of the portable sleeping assembly.  
FIG. 6 is an end view of the portable sleeping assembly.  
FIG. 7 is an end view of the portable sleeping assembly opposite from that shown in FIG. 6.  
FIG. 8 is a side view of the portable sleeping assembly from a position opposite that shown in FIG. 5; and,  
FIG. 9 is a top perspective view of the portable sleeping assembly with the blanket pulled back.  
The broken lines shown in the drawings illustrate portions of the article and form no part of the claimed design.

(56) **References Cited**

U.S. PATENT DOCUMENTS

3,334,363 A \* 8/1967 Lutz ..... 5/413 R  
D370,584 S \* 6/1996 Treadwell et al. .... D6/596  
D476,516 S \* 7/2003 Pigg ..... D6/596  
D571,594 S \* 6/2008 Klepy et al. .... D6/595

**1 Claim, 6 Drawing Sheets**



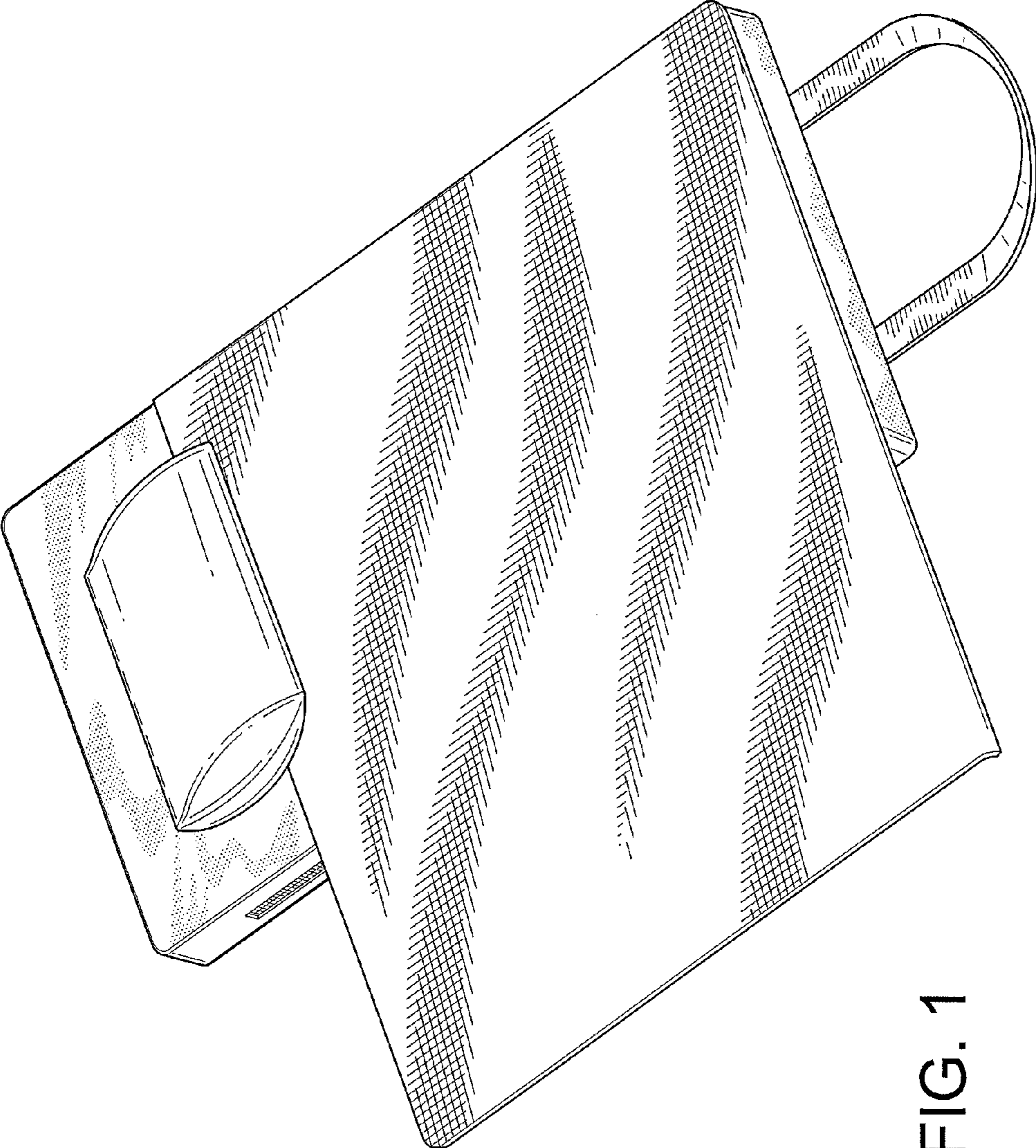


FIG. 1

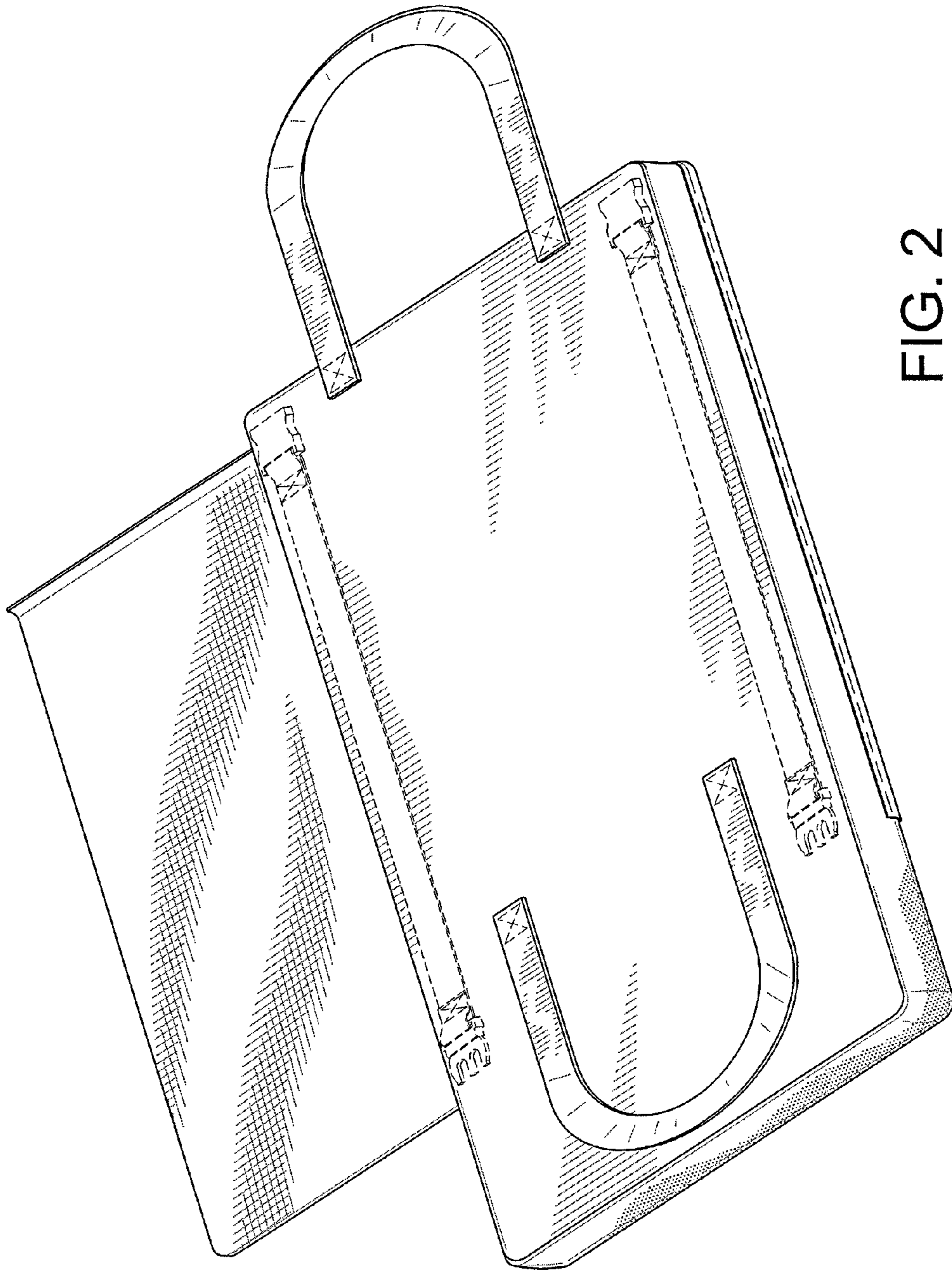


FIG. 2

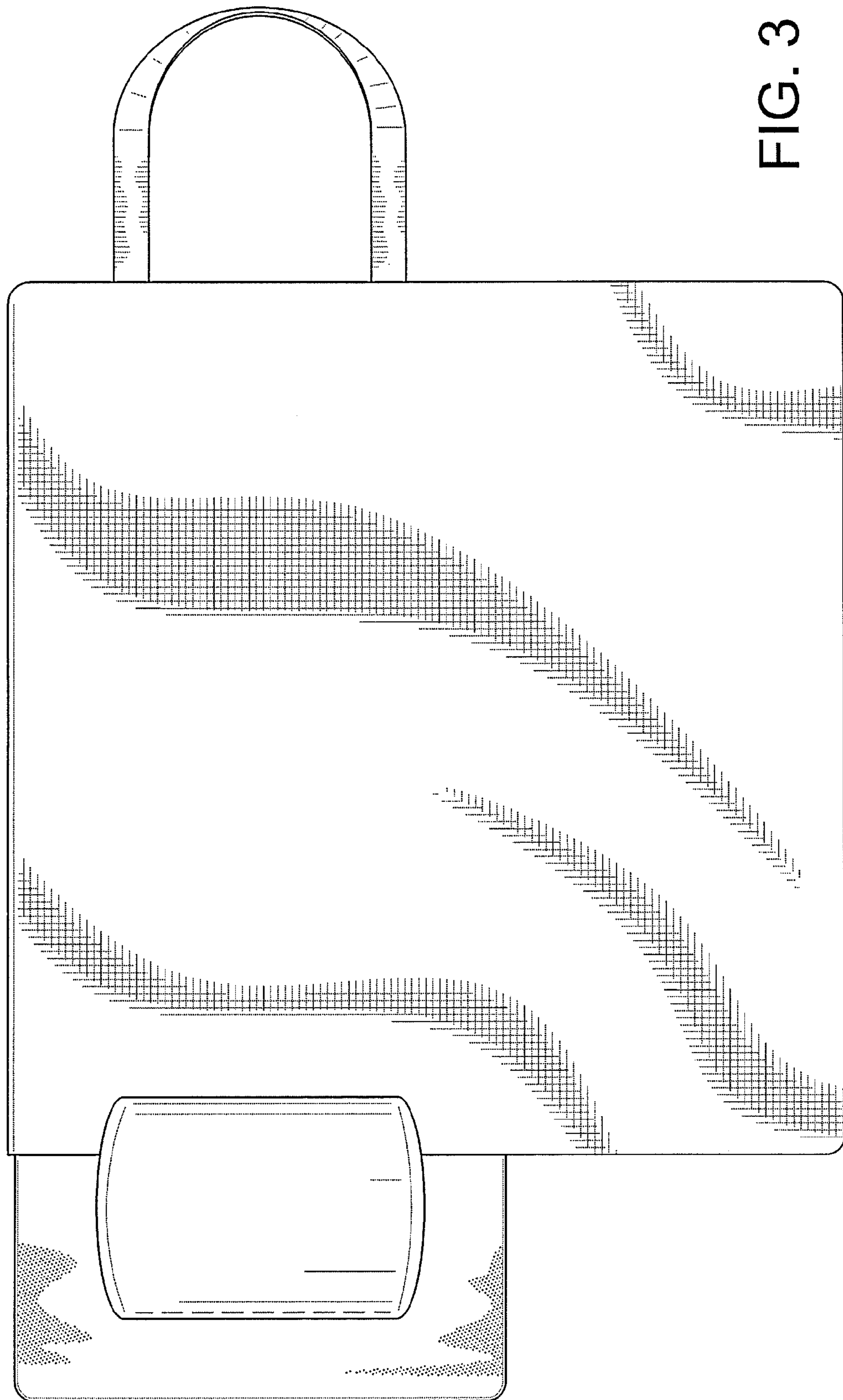


FIG. 3

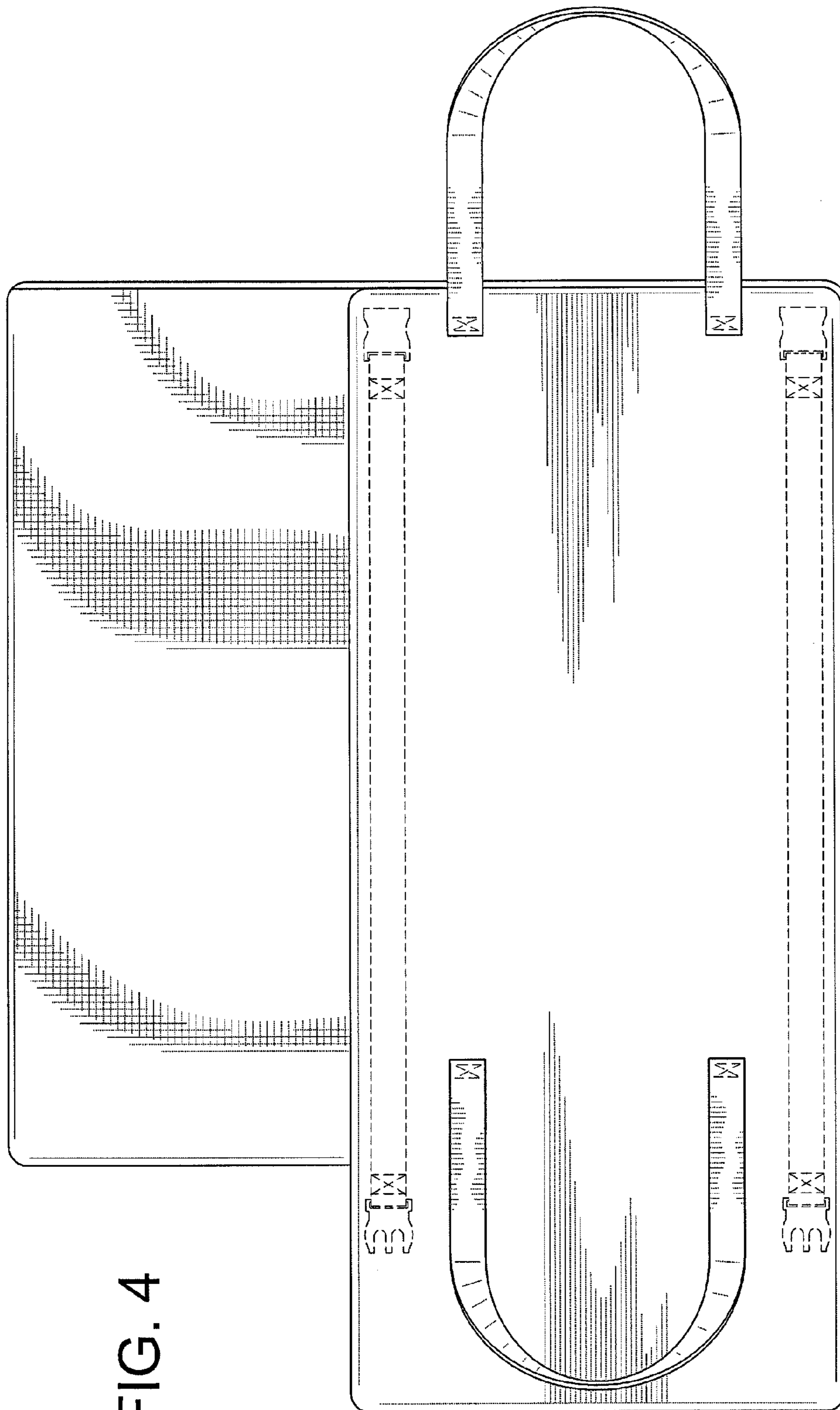


FIG. 4

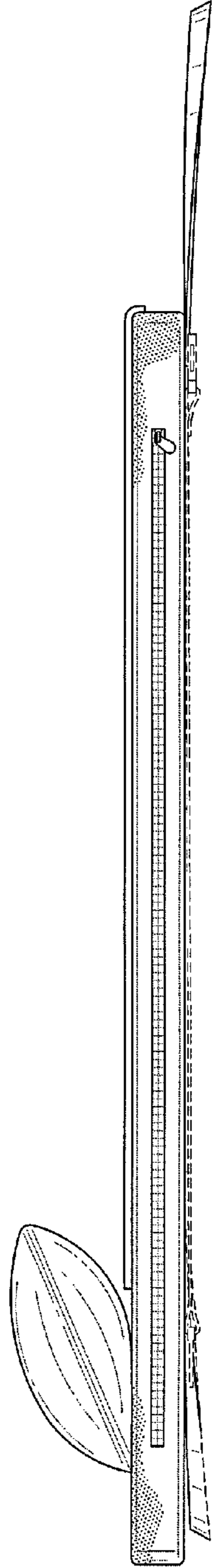


FIG. 5

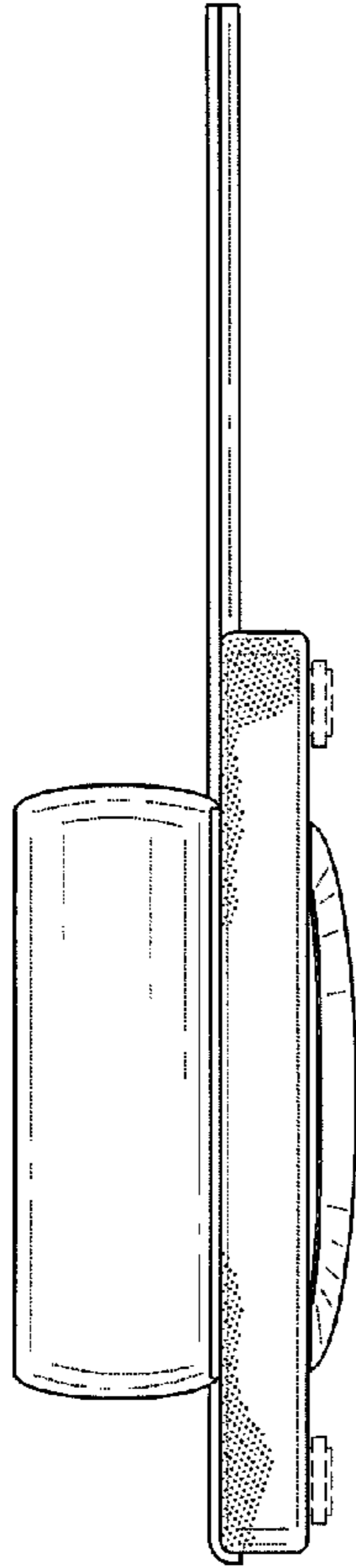


FIG. 6

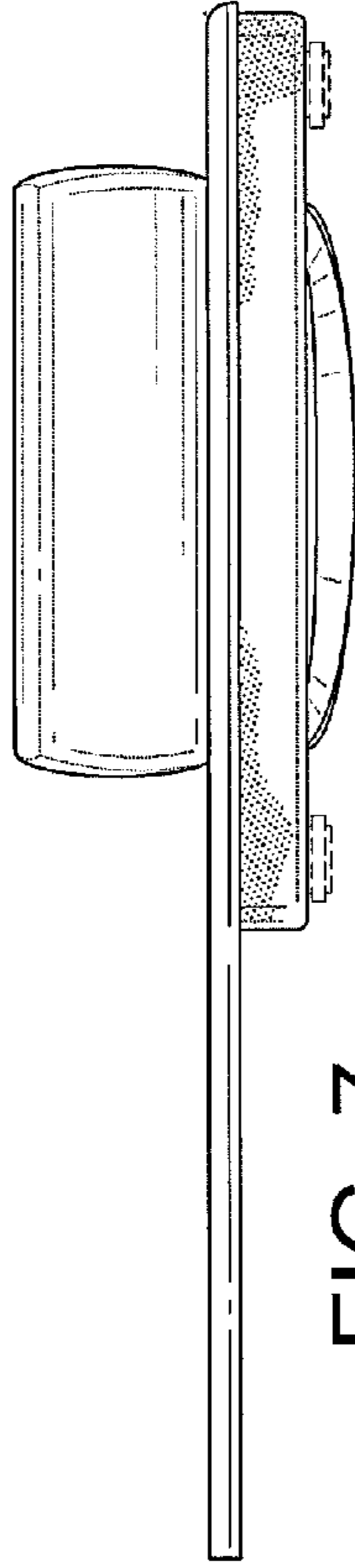


FIG. 7

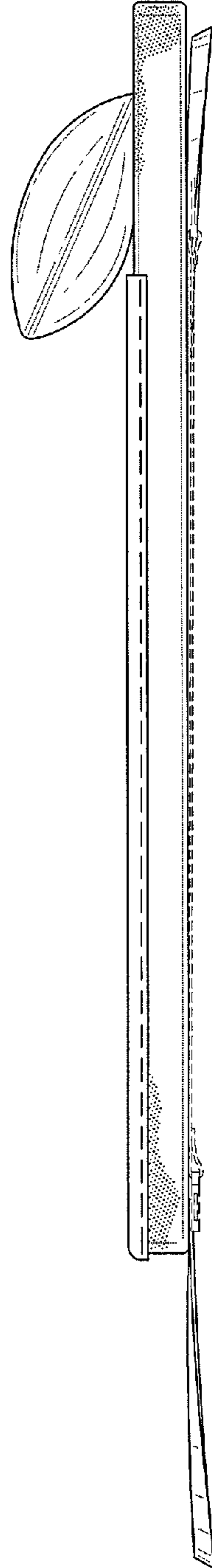


FIG. 8

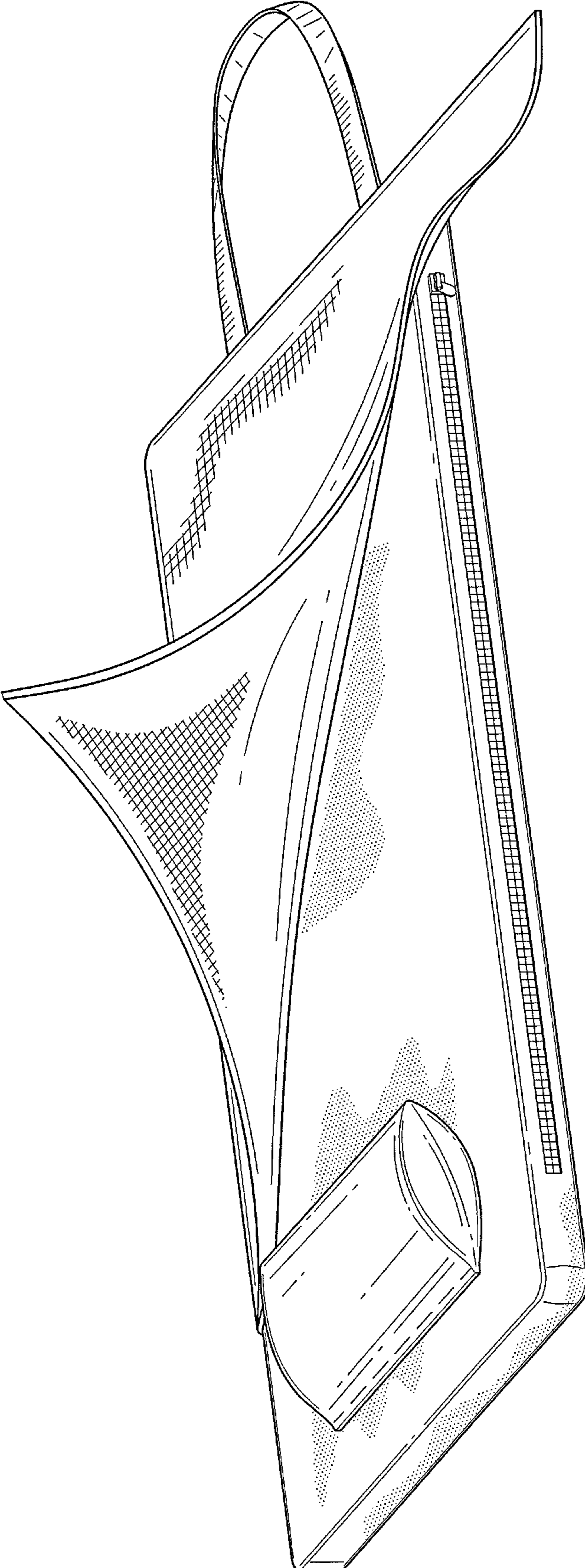


FIG. 9