

US00D774799S

(12) **United States Design Patent** (10) **Patent No.:** **US D774,799 S**
Heim (45) **Date of Patent:** **** Dec. 27, 2016**

(54) **BAR SOAP SHAVER**
(71) Applicant: **Thomas Albert Heim**, Blairsville, GA (US)
(72) Inventor: **Thomas Albert Heim**, Blairsville, GA (US)
(**) Term: **14 Years**
(21) Appl. No.: **29/506,702**
(22) Filed: **Oct. 19, 2014**
(51) **LOC (10) Cl.** **23-02**
(52) **U.S. Cl.**
USPC **D6/545**
(58) **Field of Classification Search**
USPC D6/512, 524, 526, 529, 530, 532, 533, D6/536, 540, 542, 545
CPC . B65D 85/1009; B65D 77/065; B65D 83/267; B65D 23/003; A47G 21/12; A47G 19/24; A47F 1/085; B67D 3/0029; A47K 5/10; E03C 1/06
See application file for complete search history.

D300,890 S * 5/1989 Roland D6/512
D329,560 S * 9/1992 Levien D6/524
D338,793 S * 8/1993 Primeau D6/524
5,242,064 A * 9/1993 Martell A47K 5/00
206/77.1
D416,727 S * 11/1999 Dunlap D6/524
D452,944 S * 1/2002 Schmidt D34/6
6,345,723 B1 * 2/2002 Blake A47G 23/0241
211/73
D471,390 S * 3/2003 Genslak D6/524
D521,289 S * 5/2006 Breitingen D6/524
D530,124 S * 10/2006 Ophardt D6/545
D628,420 S * 12/2010 Petrucelli D6/542
D661,934 S * 6/2012 Stampfli D6/545
D690,128 S * 9/2013 Cage D6/540
8,578,528 B1 * 11/2013 Heare A47C 21/00
108/49
2012/0199604 A1 * 8/2012 Brown G07F 11/22
221/289
2013/0043360 A1 * 2/2013 Pixley A47K 5/02
248/231.91

* cited by examiner

Primary Examiner — John Windmuller
Assistant Examiner — Steven Czyz

(56) **References Cited**

U.S. PATENT DOCUMENTS

888,287 A * 5/1908 Williams et al. B26D 1/0006
30/296.1
1,444,773 A * 2/1923 Bellows C11D 13/22
241/278.1
2,037,329 A * 4/1936 Iaggi A47K 5/09
241/283
2,507,228 A * 5/1950 Speas A47K 5/09
241/283
3,019,549 A * 2/1962 Evans A47K 5/02
206/77.1
D283,282 S * 4/1986 Haske D6/527
D283,576 S * 4/1986 Lambert D6/540
4,654,901 A * 4/1987 Garcia A47K 5/02
206/77.1

(57) **CLAIM**

I claim the ornamental design for a bar soap shaver, as shown and described.

DESCRIPTION

FIG. 1 is a top, front and left side perspective view of a bar soap shaver showing my new design.
FIG. 2 is a left side elevation view shown without the cap;
FIG. 3 is a right side elevation view thereof;
FIG. 4 is a front elevation view thereof;
FIG. 5 is a rear elevation view thereof;
FIG. 6 is a top view thereof; and,
FIG. 7 is the bottom view thereof.

1 Claim, 7 Drawing Sheets

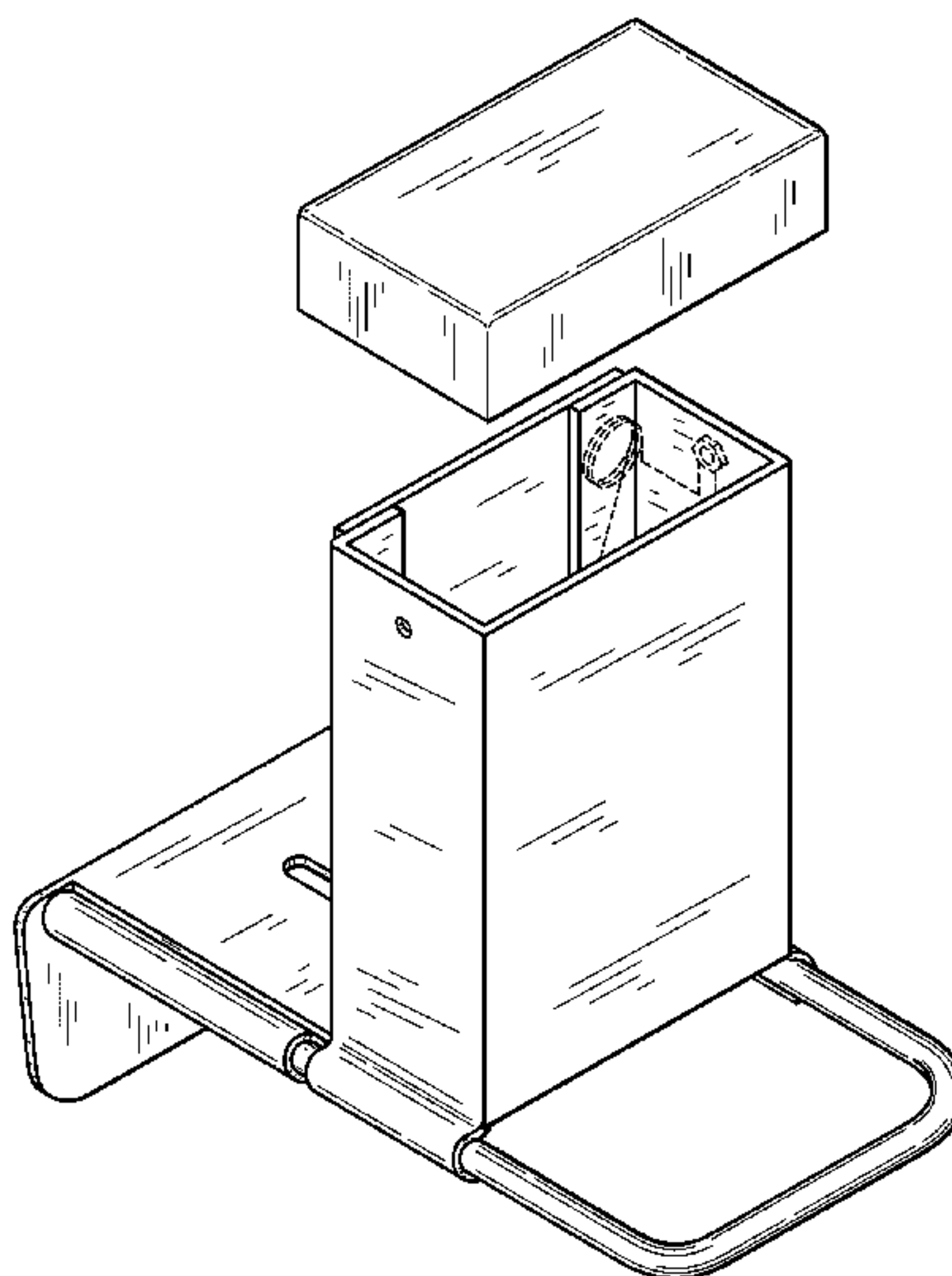


FIG. 1

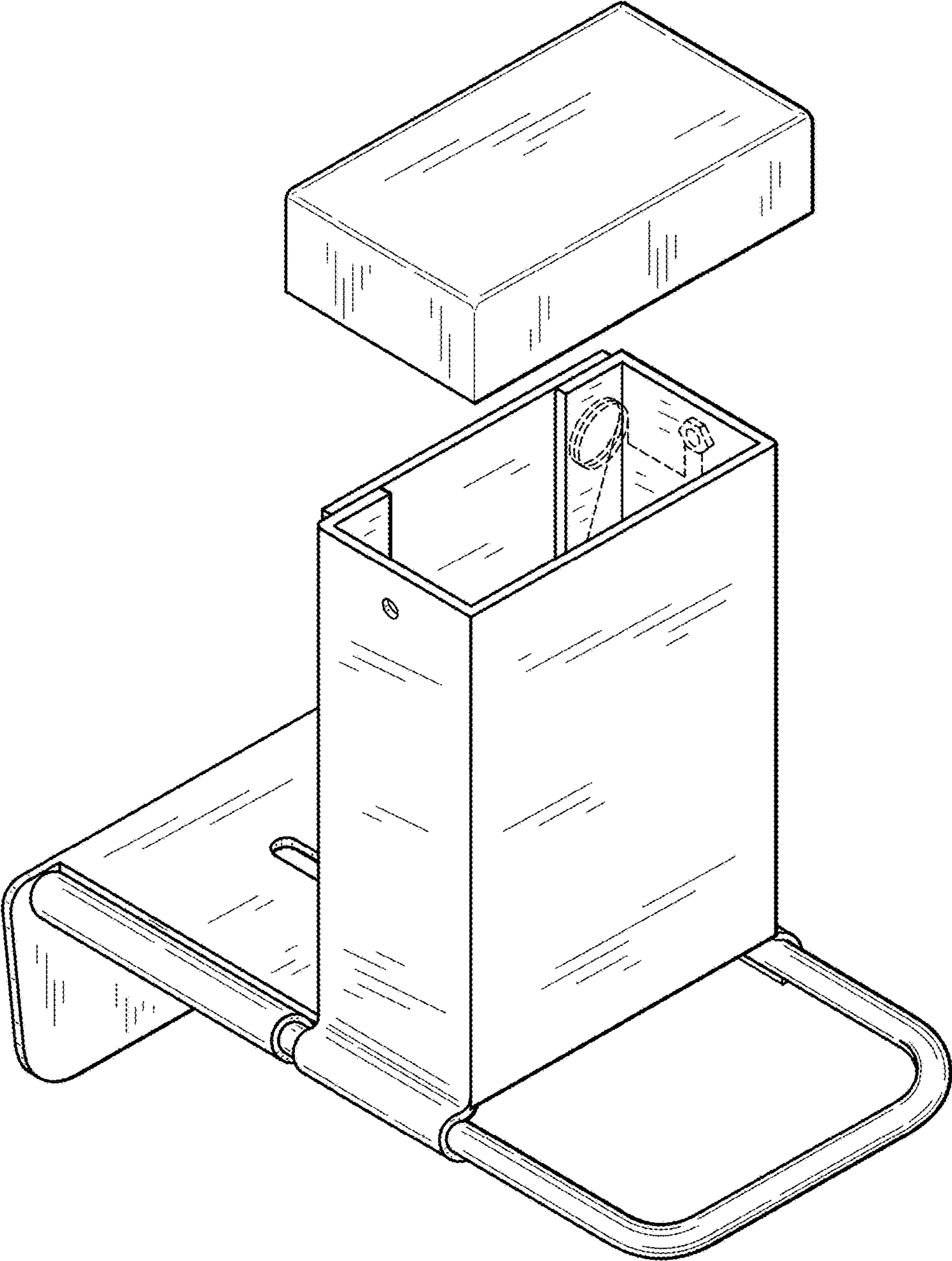


FIG. 2

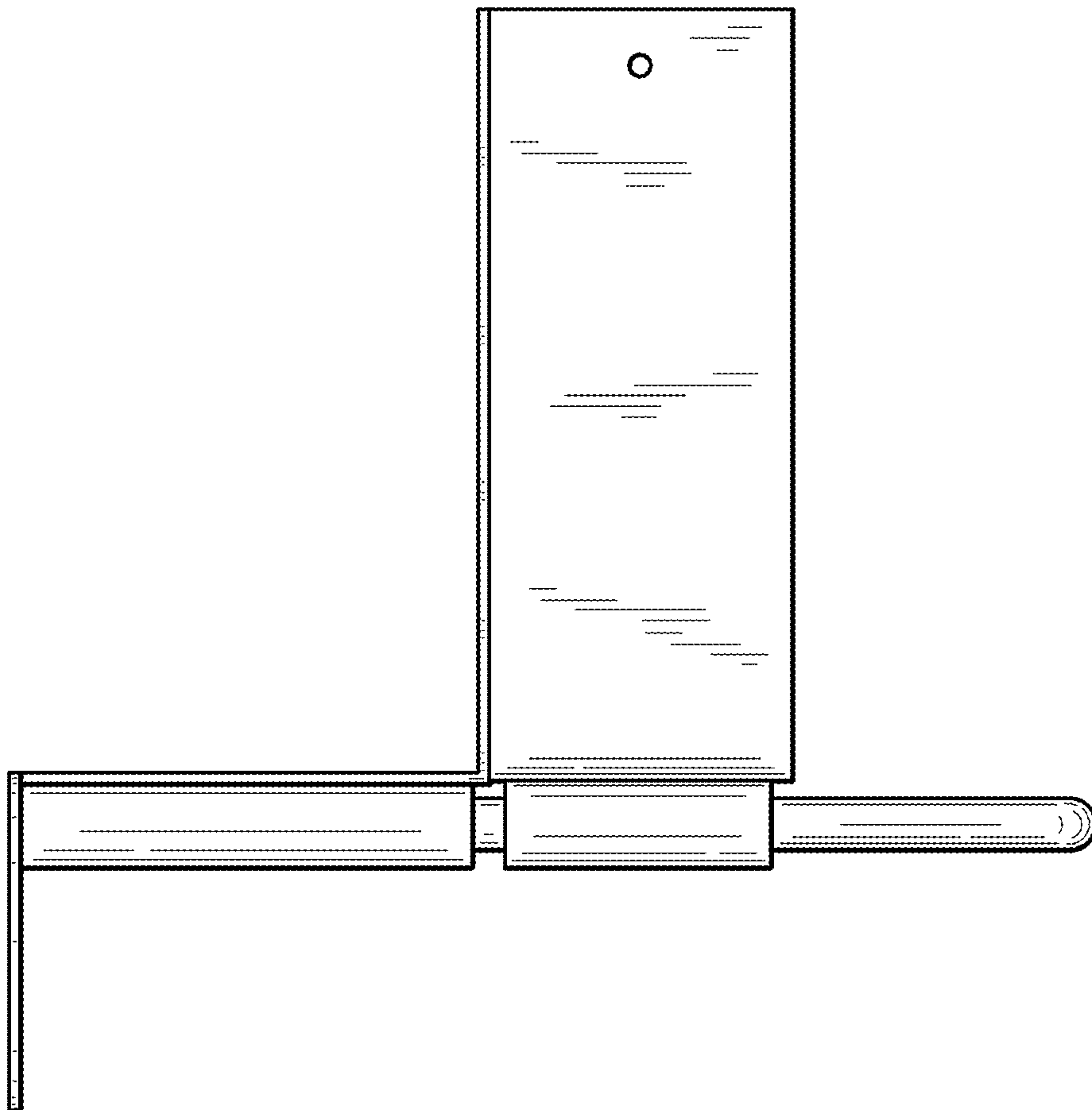


FIG. 3

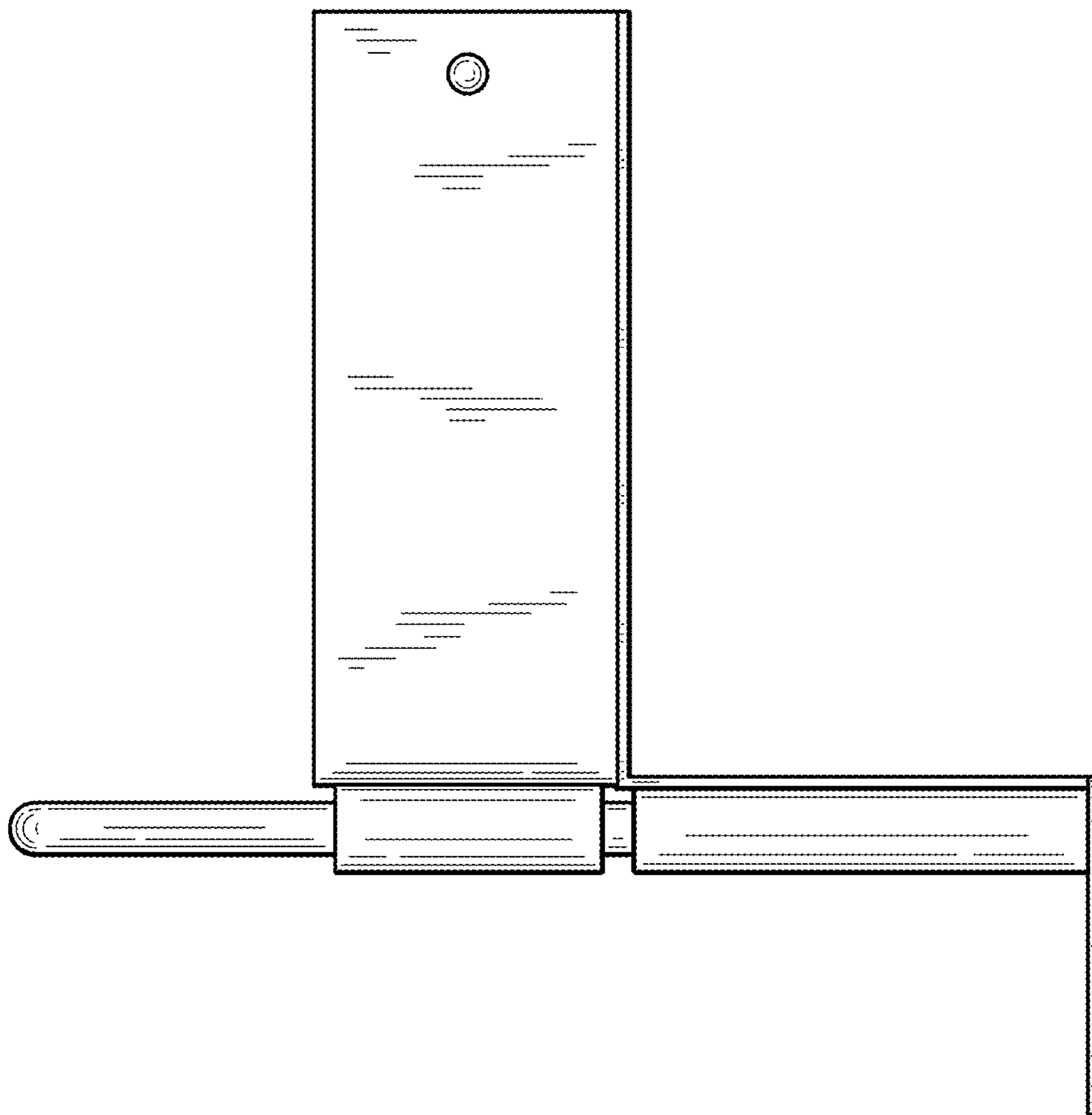


FIG. 4

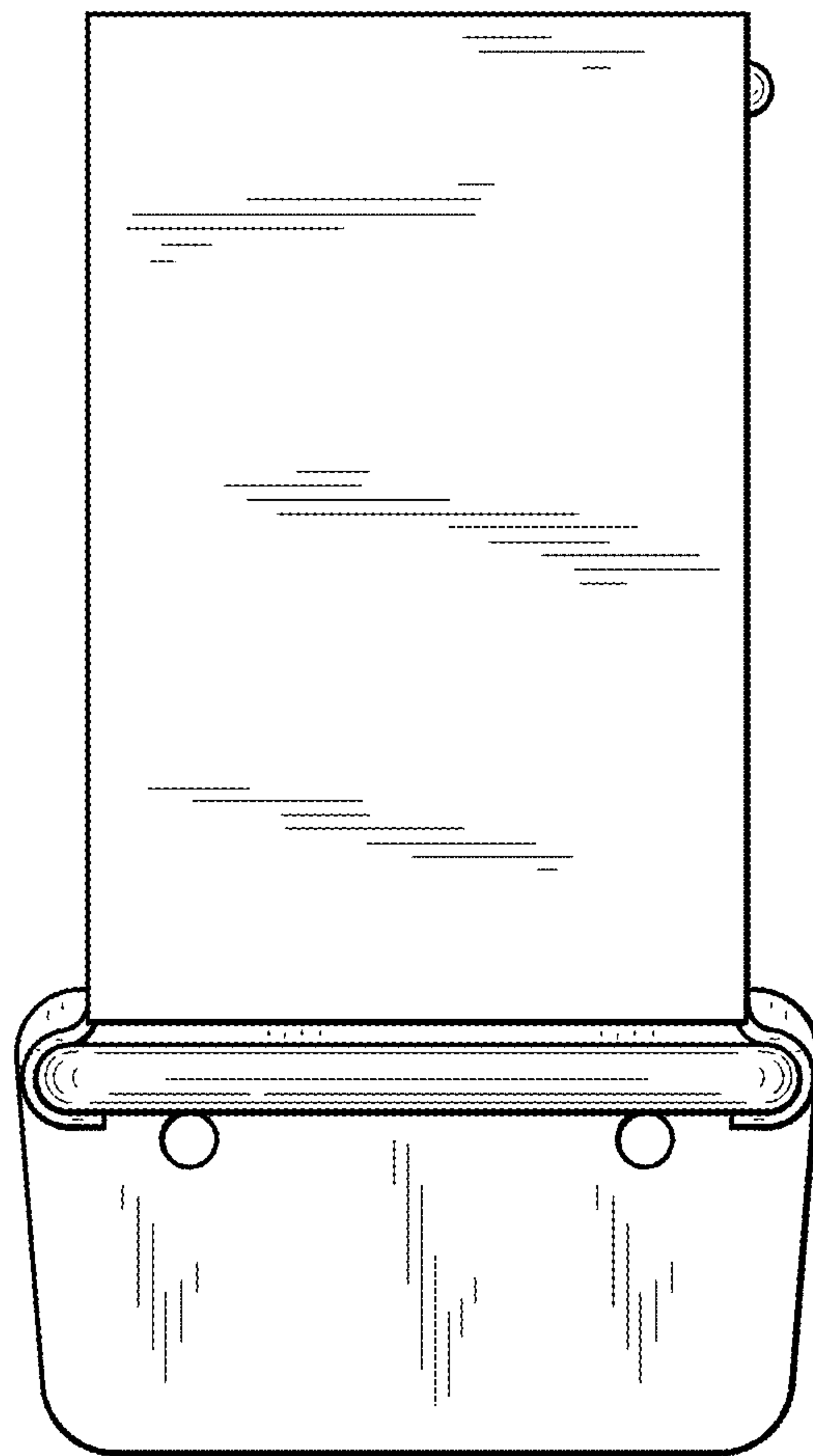


FIG. 5

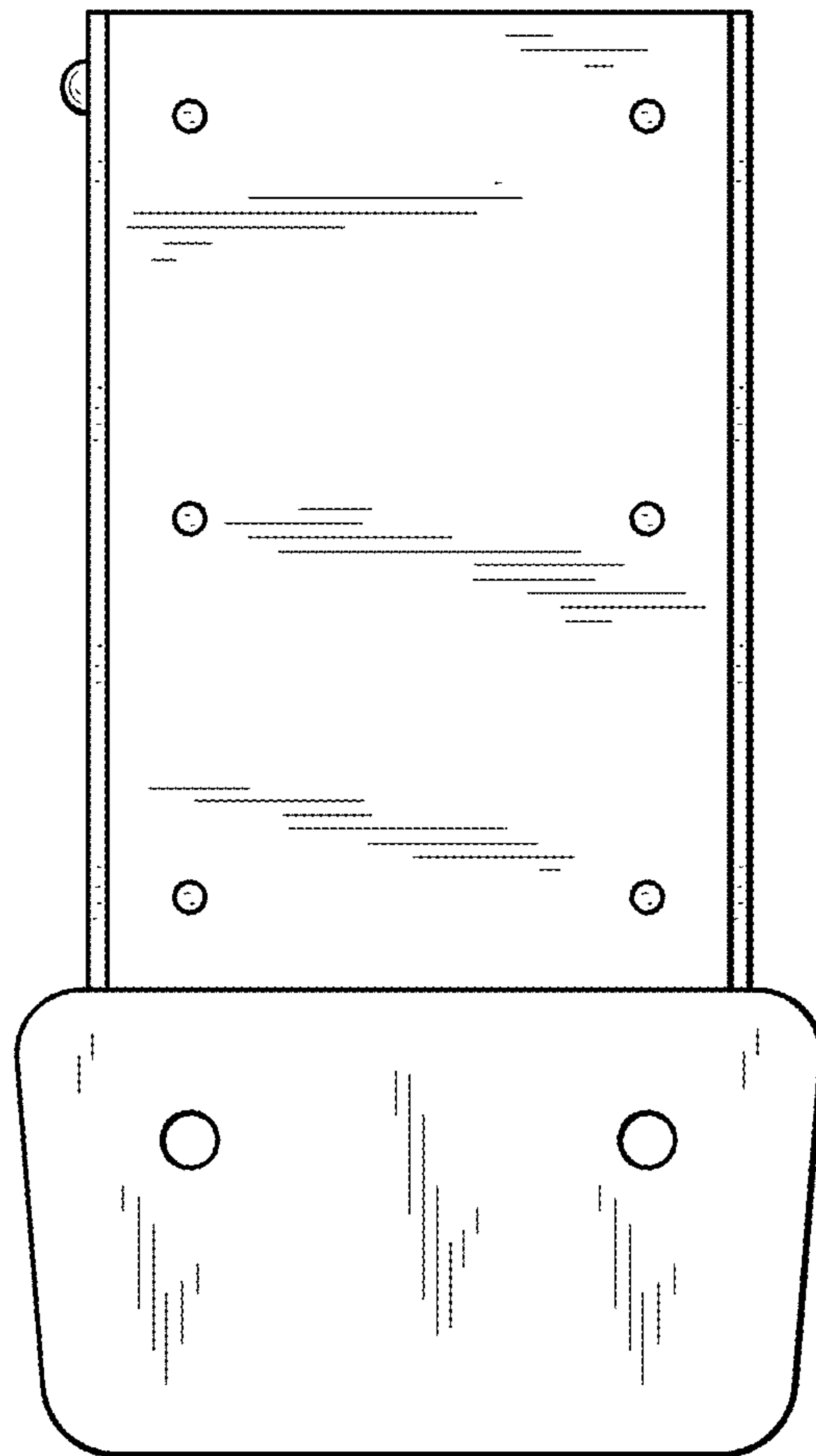


FIG. 6

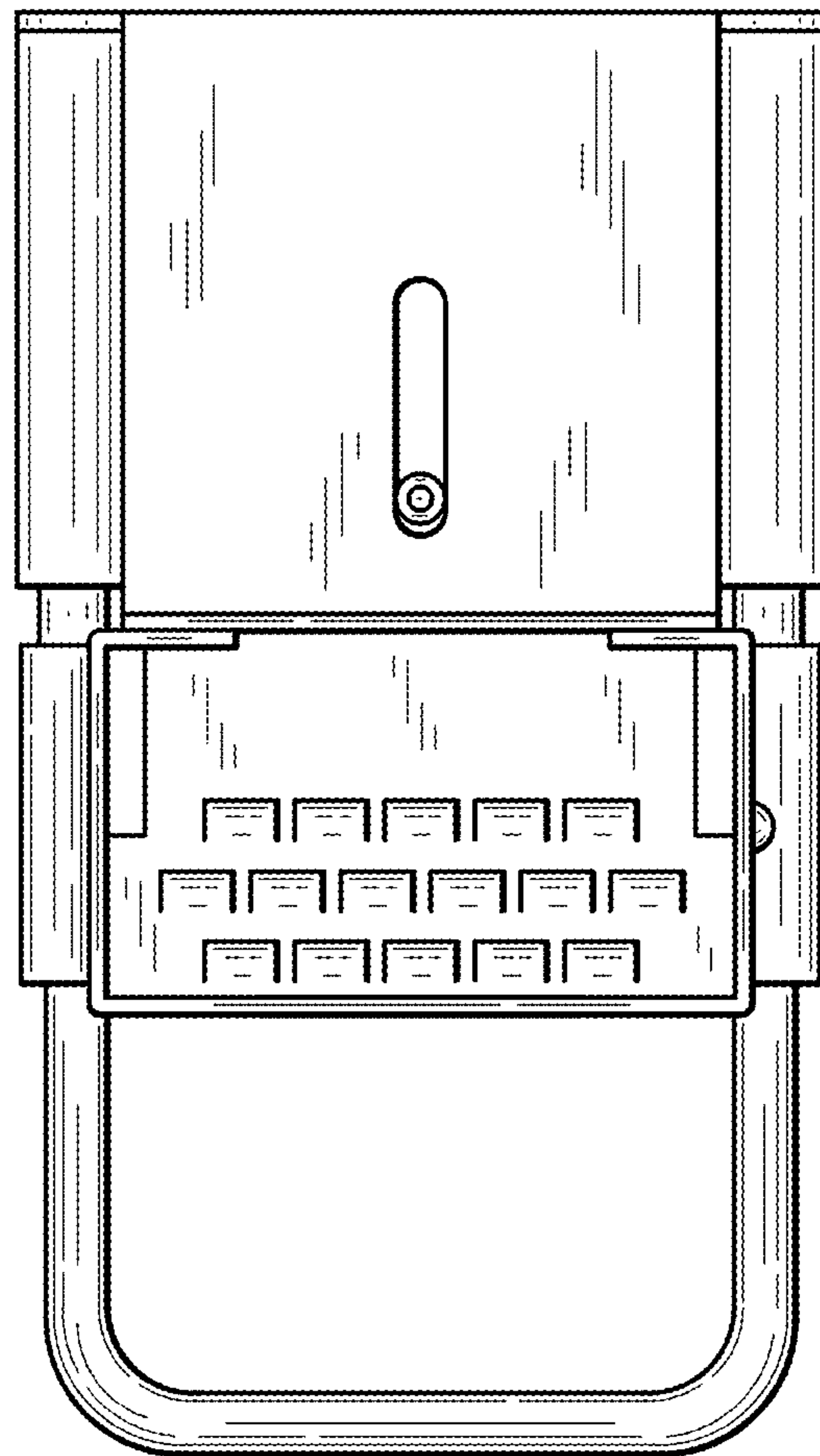


FIG. 7

