



US00D774798S

(12) **United States Design Patent** (10) **Patent No.:** **US D774,798 S**  
**Goodman et al.** (45) **Date of Patent:** **\*\* Dec. 27, 2016**

(54) **SUCTION STATION**

(71) Applicant: **Spectrum Diversified Designs, Inc.**,  
Streetsboro, OH (US)

(72) Inventors: **Sheldon H. Goodman**, Solon, OH  
(US); **Phaysouk Xayoiphonh**, Akron,  
OH (US)

(73) Assignee: **Spectrum Diversified Designs, LLC**,  
Streetsboro, OH (US)

(\*\*) Term: **14 Years**

(21) Appl. No.: **29/518,586**

(22) Filed: **Feb. 25, 2015**

(51) **LOC (10) Cl.** ..... **06-04**

(52) **U.S. Cl.**  
USPC ..... **D6/537; D6/540**

(58) **Field of Classification Search**  
USPC .... D6/536-537, 524, 525, 540, 5, 567, 320,  
D6/566; 211/13.1, 74, 71.01, 86.01, 75,  
211/88.01, 90.01, 90.03, 106, 119, 126.1,  
211/133.5, 181.1, 134, 87.01; D3/306;  
D32/55-56; D7/637; 248/206.2-206.3  
CPC ..... B23P 17/04; A47K 1/09; A47K 1/08;  
A47K 3/281; F16B 47/00  
See application file for complete search history.

(56) **References Cited**

**U.S. PATENT DOCUMENTS**

D29,620 S \* 11/1898 Huebel ..... D6/532  
D247,013 S \* 1/1978 Chapman ..... D6/525  
D322,002 S 12/1991 Emery  
D342,854 S \* 1/1994 Pentz ..... D6/552  
D383,344 S \* 9/1997 Andrus ..... D6/525  
D396,770 S 8/1998 Hoernig  
D397,570 S \* 9/1998 Hoernig ..... D6/553  
D412,080 S 7/1999 Emery et al.

D444,012 S \* 6/2001 Ferrer Beltran ..... D6/536  
D450,213 S 11/2001 Snell  
D464,516 S 10/2002 Snell  
6,886,792 B2 5/2005 Immerman  
D599,552 S \* 9/2009 Cooney ..... D3/313  
D616,680 S \* 6/2010 Snider ..... D6/513  
D698,186 S \* 1/2014 Funchess ..... D6/552  
D723,301 S \* 3/2015 Callif ..... D3/306  
D746,592 S \* 1/2016 Goodman ..... D3/306

**OTHER PUBLICATIONS**

Spectrum Diversified website, Contempo Suction Shower Basket with Hooks, Apr. 26, 2016, <http://www.spectrumdiversified.com/products/contempo-suction-shower-basket-with-hooks>.\*

\* cited by examiner

*Primary Examiner* — David Muller

*Assistant Examiner* — Nathan Johnston

(74) *Attorney, Agent, or Firm* — Benesch, Friedlander,  
Coplan & Aronoff, LLP

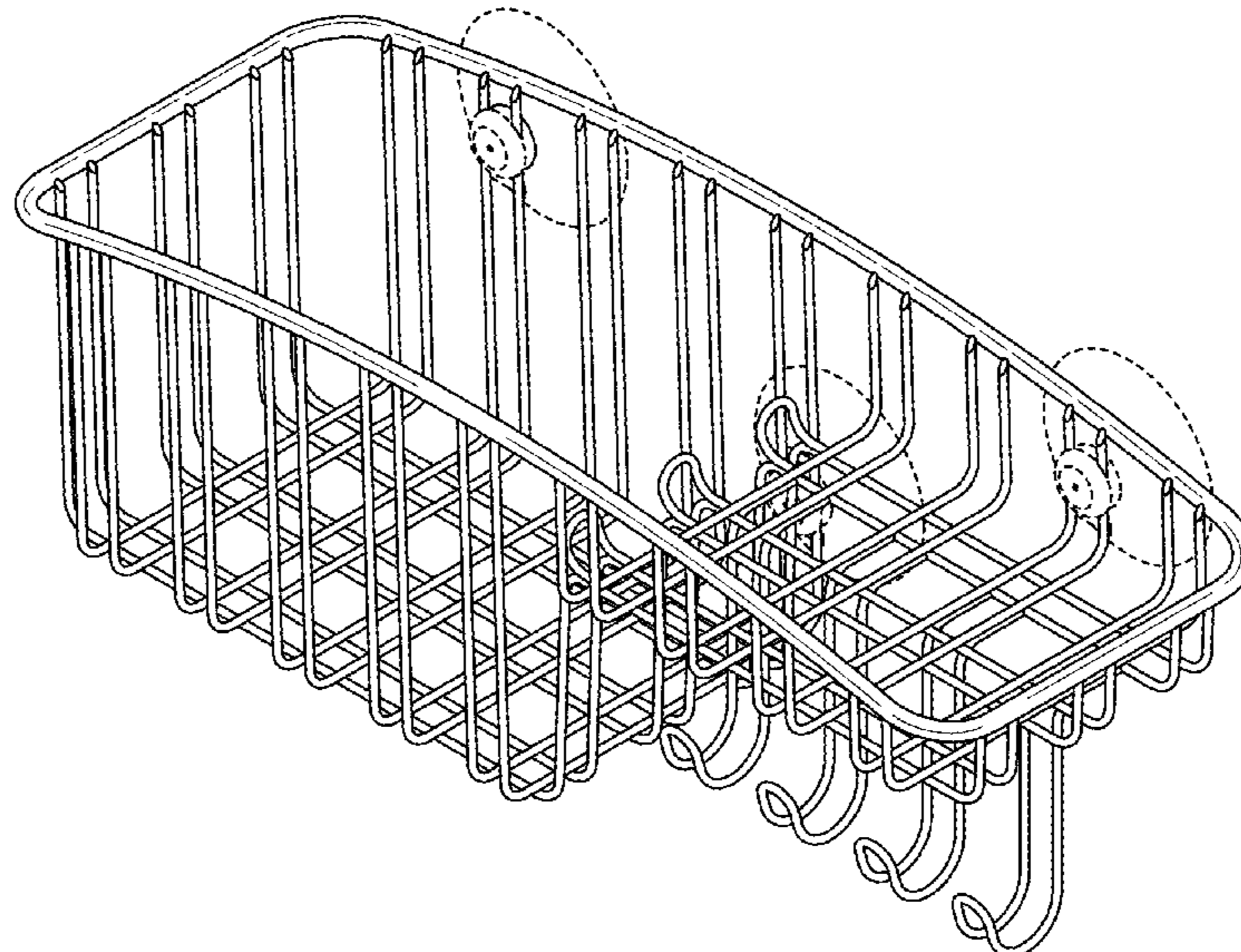
(57) **CLAIM**

What is claimed is the ornamental design for a suction station, as shown and described.

**DESCRIPTION**

FIG. 1 is a perspective view of a suction station showing a new design;  
FIG. 2 is a front elevation view thereof;  
FIG. 3 is a rear elevation view thereof;  
FIG. 4 is a right side elevation view thereof;  
FIG. 5 is a left side elevation view;  
FIG. 6 is a top plan view thereof; and,  
FIG. 7 is a bottom plan view.  
The components of the display shown in broken lines illustrate portions of the suction station form no part of the claimed design.

**1 Claim, 4 Drawing Sheets**



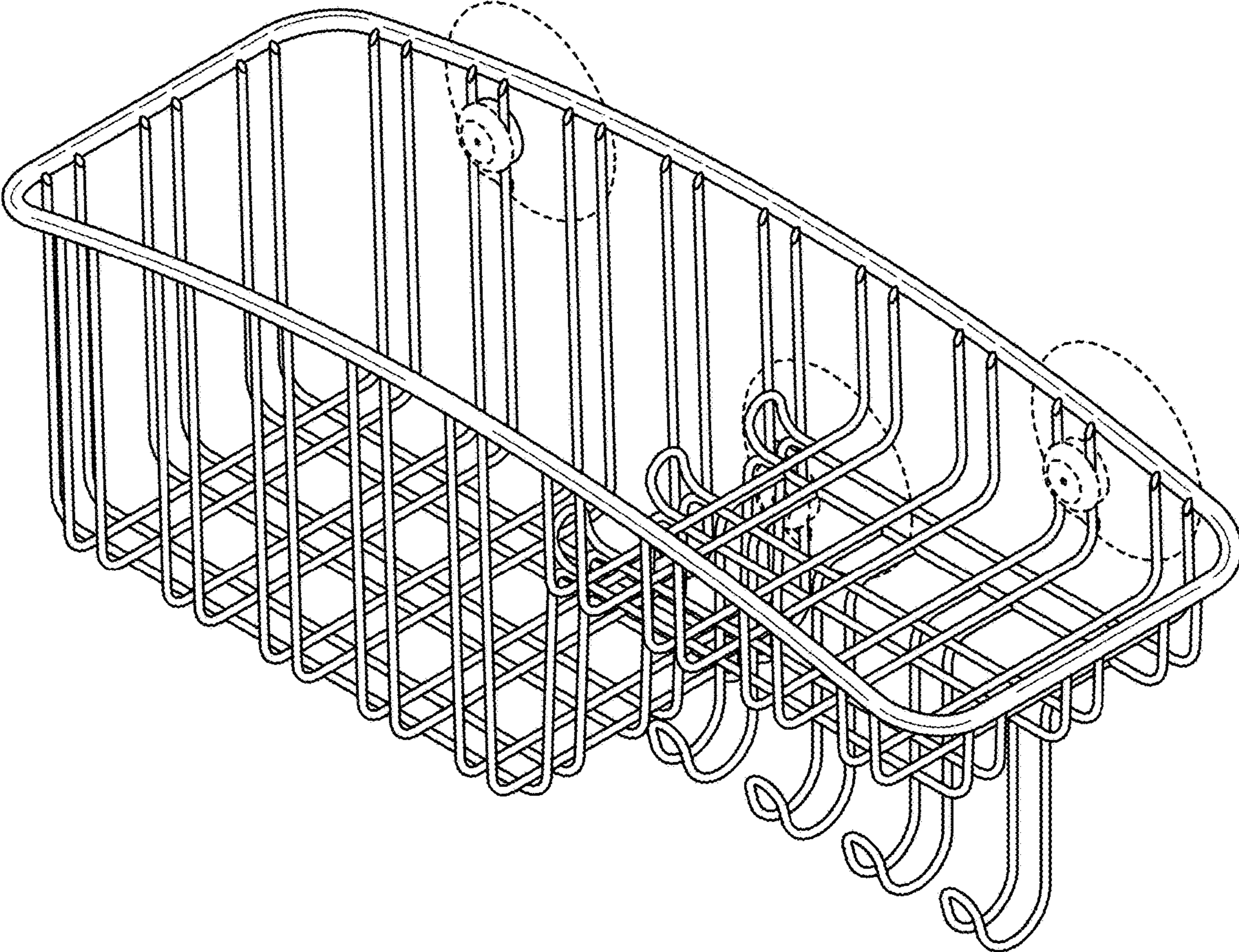


FIG. 1



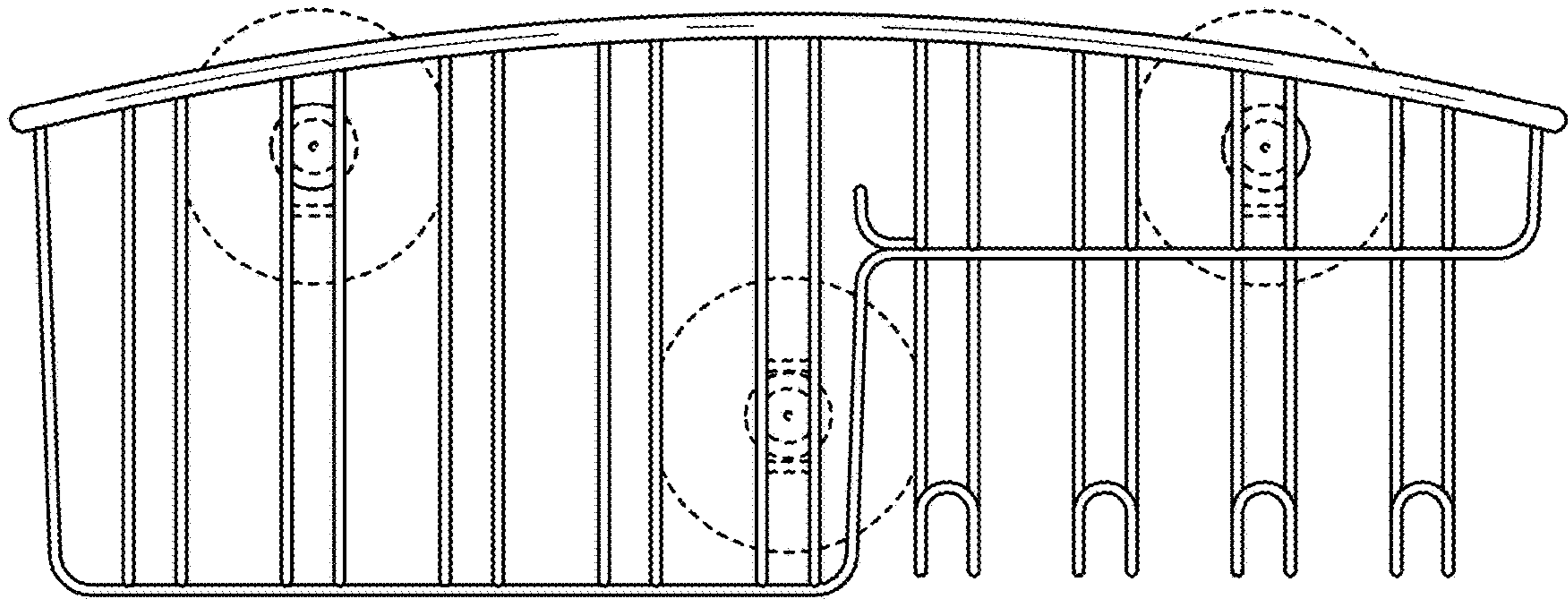


FIG. 2

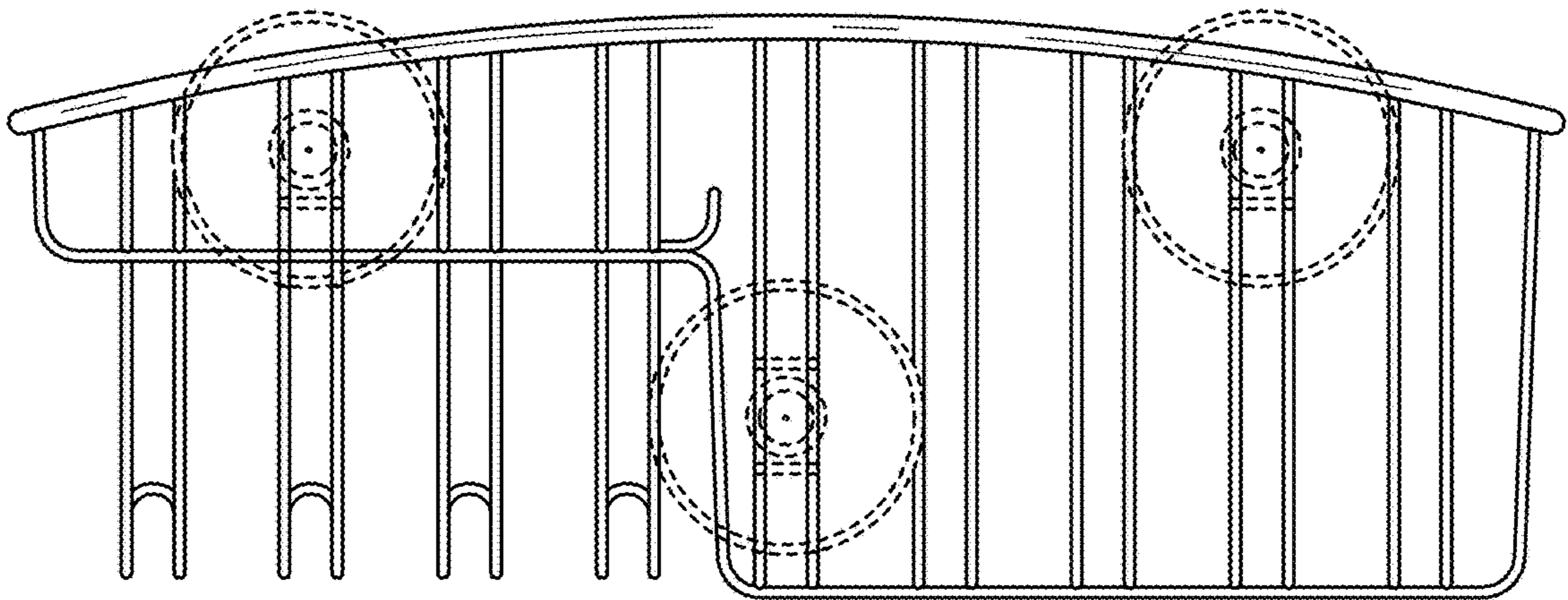


FIG. 3

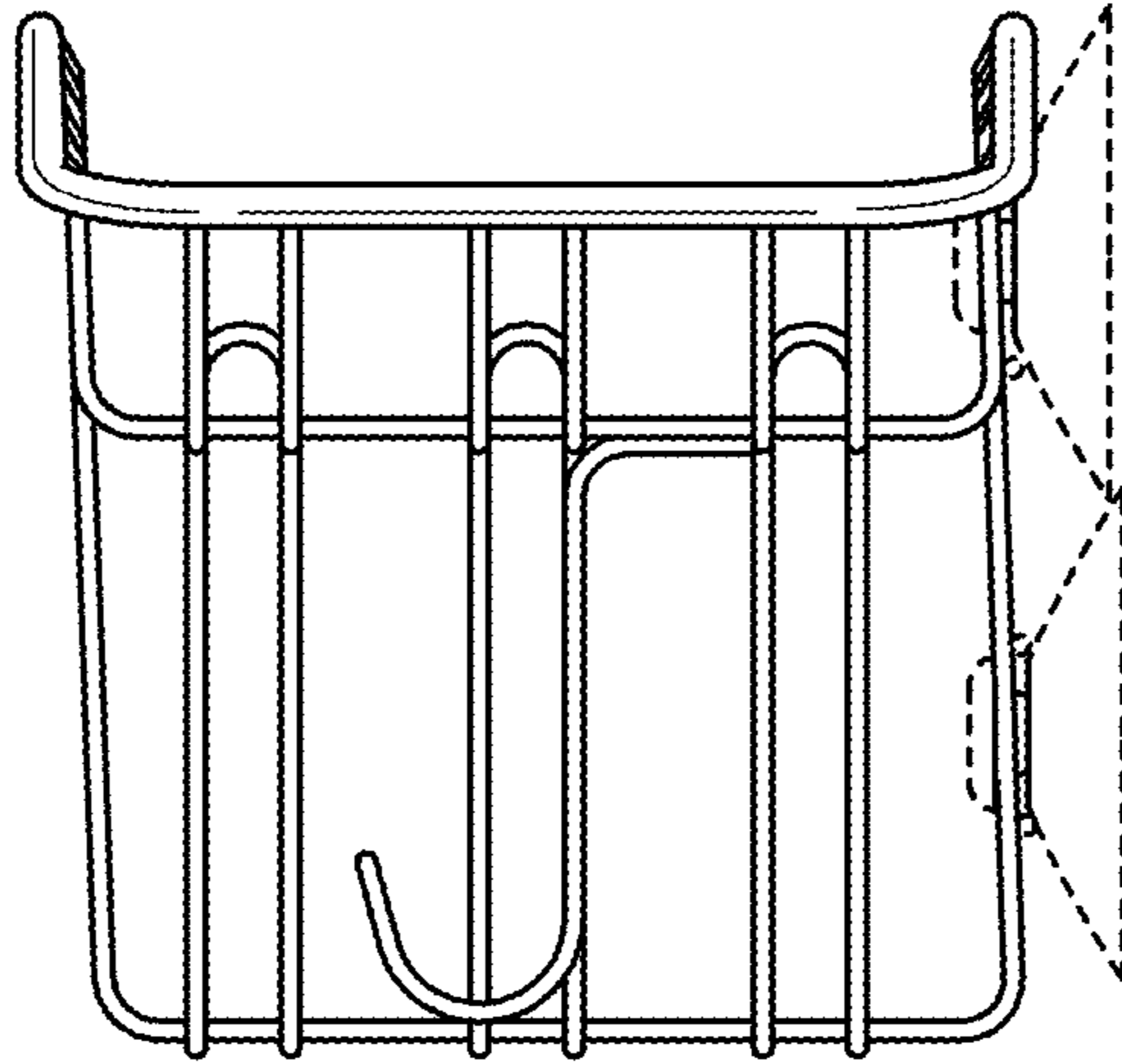


FIG. 4

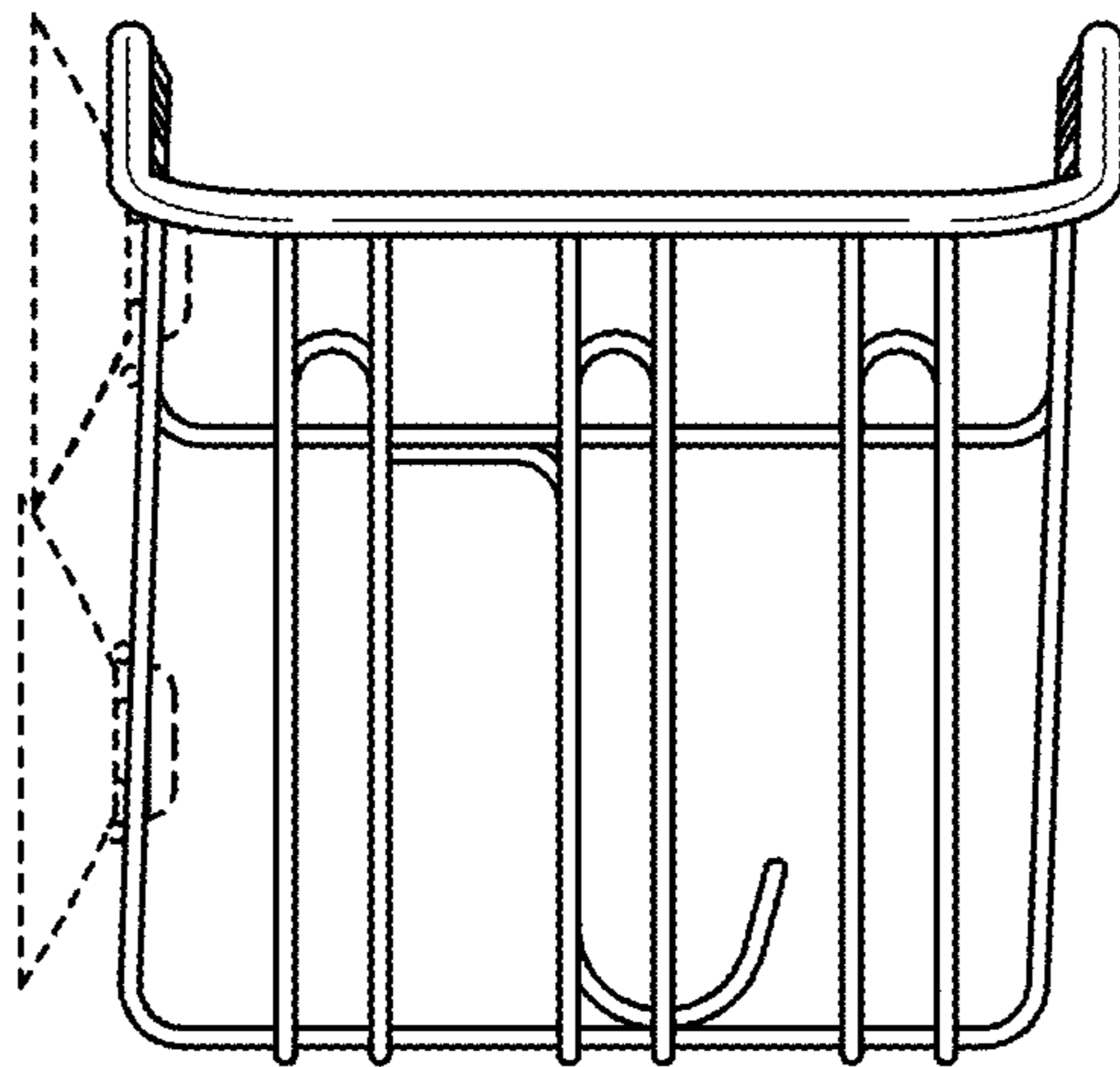


FIG. 5

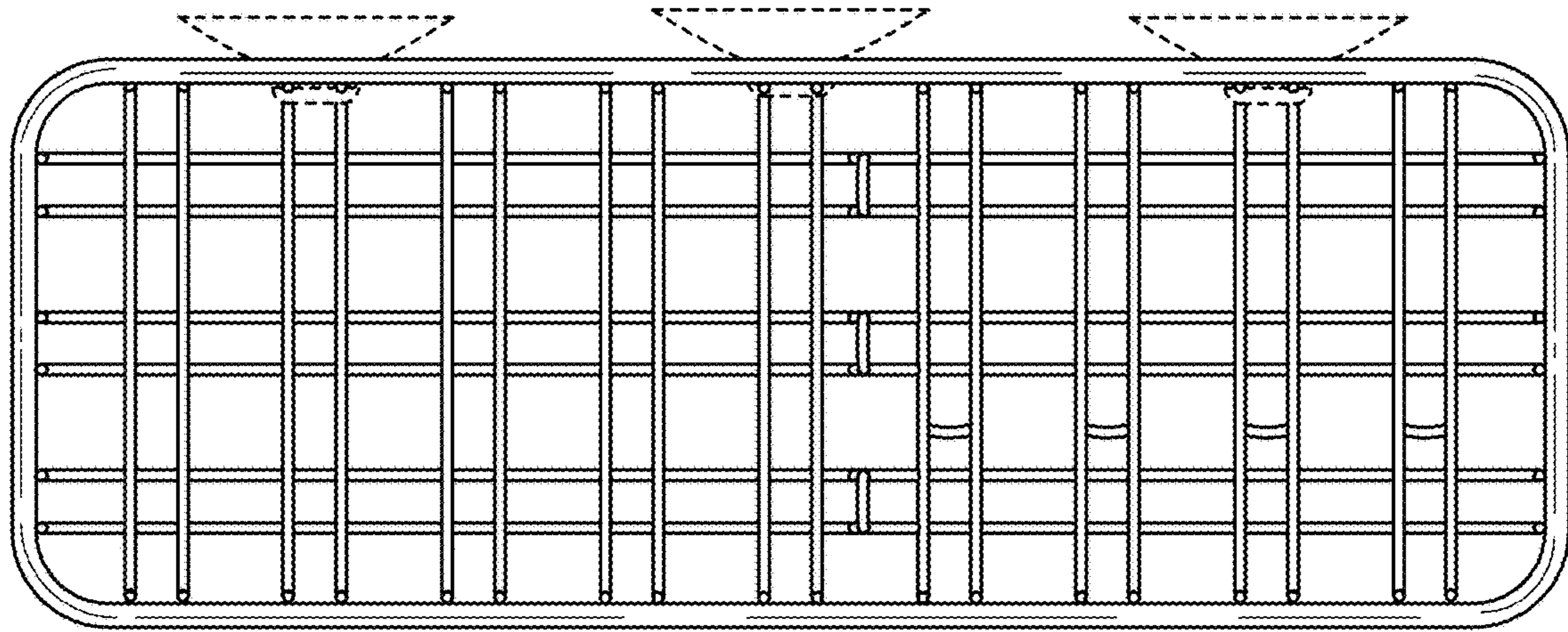


FIG. 6

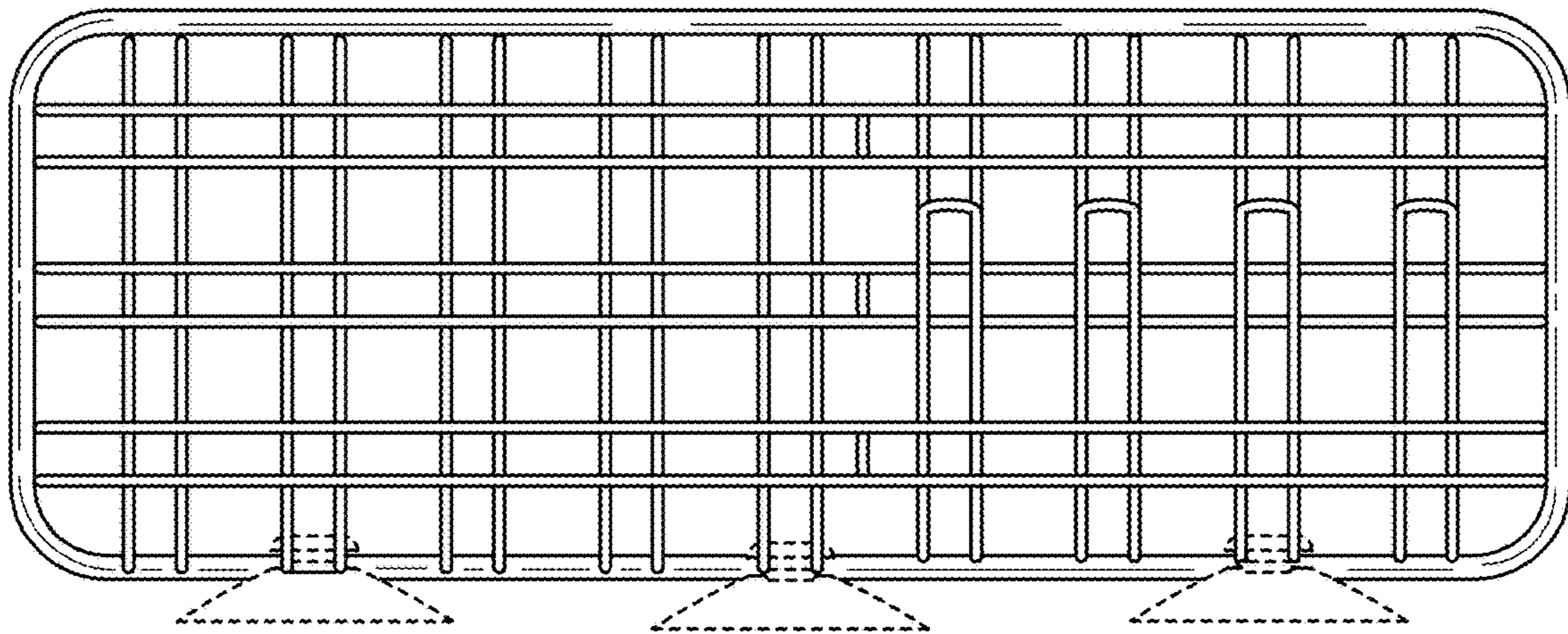


FIG. 7