



US00D774796S

(12) **United States Design Patent** (10) **Patent No.:** **US D774,796 S**
Larsh (45) **Date of Patent:** **** Dec. 27, 2016**

(54) **JEWELRY STORAGE AND DISPLAY UNIT**
(71) Applicant: **Nancy Larsh**, Indianapolis, IN (US)
(72) Inventor: **Nancy Larsh**, Indianapolis, IN (US)
(**) Term: **14 Years**
(21) Appl. No.: **29/495,673**
(22) Filed: **Jul. 2, 2014**
(51) **LOC (10) Cl.** **06-04**
(52) **U.S. Cl.**
USPC **D6/514**
(58) **Field of Classification Search**
USPC D6/512, 513, 514, 524, 525, 552, 553,
D6/567, 568, 569, 570
CPC A45C 11/00; A45C 11/16; A45C 13/02;
A45C 15/00; A45C 2011/002; A45C
11/008; A45C 11/24; A45C
13/008; A45C 1/06; A45C
2200/10; A45C 3/02; A45C 11/182;
A45C 11/26; A45C 13/42; A45C
2011/007; A45D 33/06; A45D
33/20; A45D 34/00; A45D 40/00; A45D
40/18; A45D 40/22; A45D 44/04; A45D
19/00; A45D 19/0008; A45D
19/06; A45D 2001/002; A45D 2029/005;
A45D 2034/007; A45D 2040/0025
See application file for complete search history.

D666,439 S * 9/2012 Kinskey D6/514
D666,440 S * 9/2012 Kinskey D6/514
D699,466 S * 2/2014 Babcock D6/514

* cited by examiner

Primary Examiner — Daniel Bui
Assistant Examiner — Khawaja Anwar
(74) *Attorney, Agent, or Firm* — Woodard, Emhardt,
Moriarty, McNett & Henry LLP

(57) **CLAIM**

The ornamental design for jewelry storage and display unit,
as shown and described.

DESCRIPTION

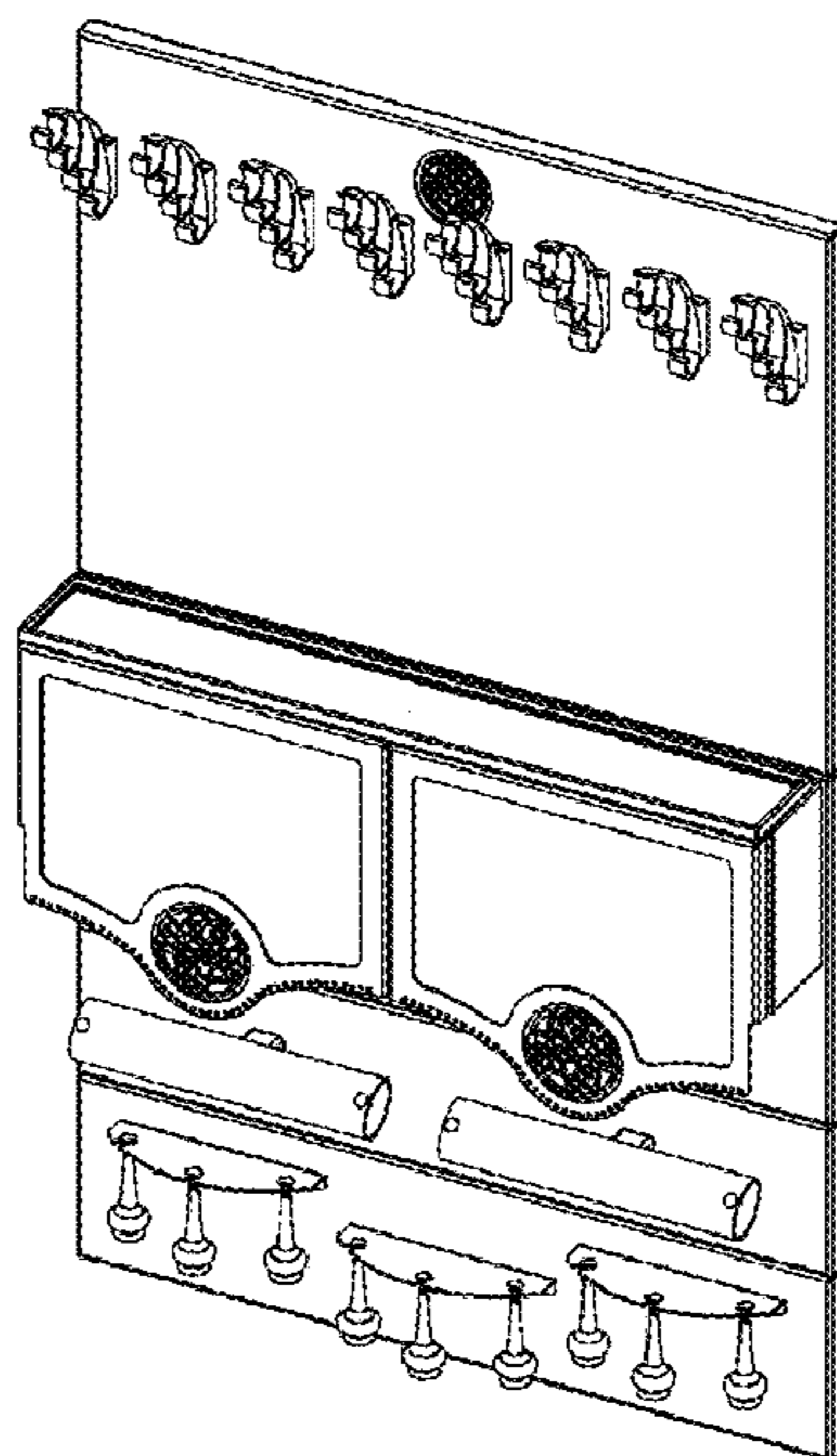
FIG. 1 is a front elevational view of a jewelry storage and display unit showing a new design; the rear surface thereof is flat and devoid of ornamentation
FIG. 2 is a front, right side top perspective view thereof;
FIG. 3 is a left side elevational view thereof;
FIG. 4 is a right side elevational view thereof;
FIG. 5 is a bottom elevational view thereof; the broken line in FIG. 5 represents unclaimed environment only and forms no part of the claimed design.
FIG. 6 is a top elevational view thereof;
FIG. 7 is a front, right side bottom perspective view thereof; shown in a usage condition; and,
FIG. 8 is a front elevational view of another embodiment of the jewelry storage and display unit that is the same as that shown in FIG. 1 except having woven mesh door panel inserts; other views of the embodiment of FIG. 8 are the same as FIGS. 2-7 except having the woven mesh door panel inserts.
The broken line in figure drawings represents unclaimed environment only and forms no part of the claimed design.

(56) **References Cited**

U.S. PATENT DOCUMENTS

4,401,219 A * 8/1983 Mink A45C 7/0095
206/466
D416,734 S * 11/1999 Lannon D6/514
D499,287 S * 12/2004 Clute D6/514

1 Claim, 8 Drawing Sheets



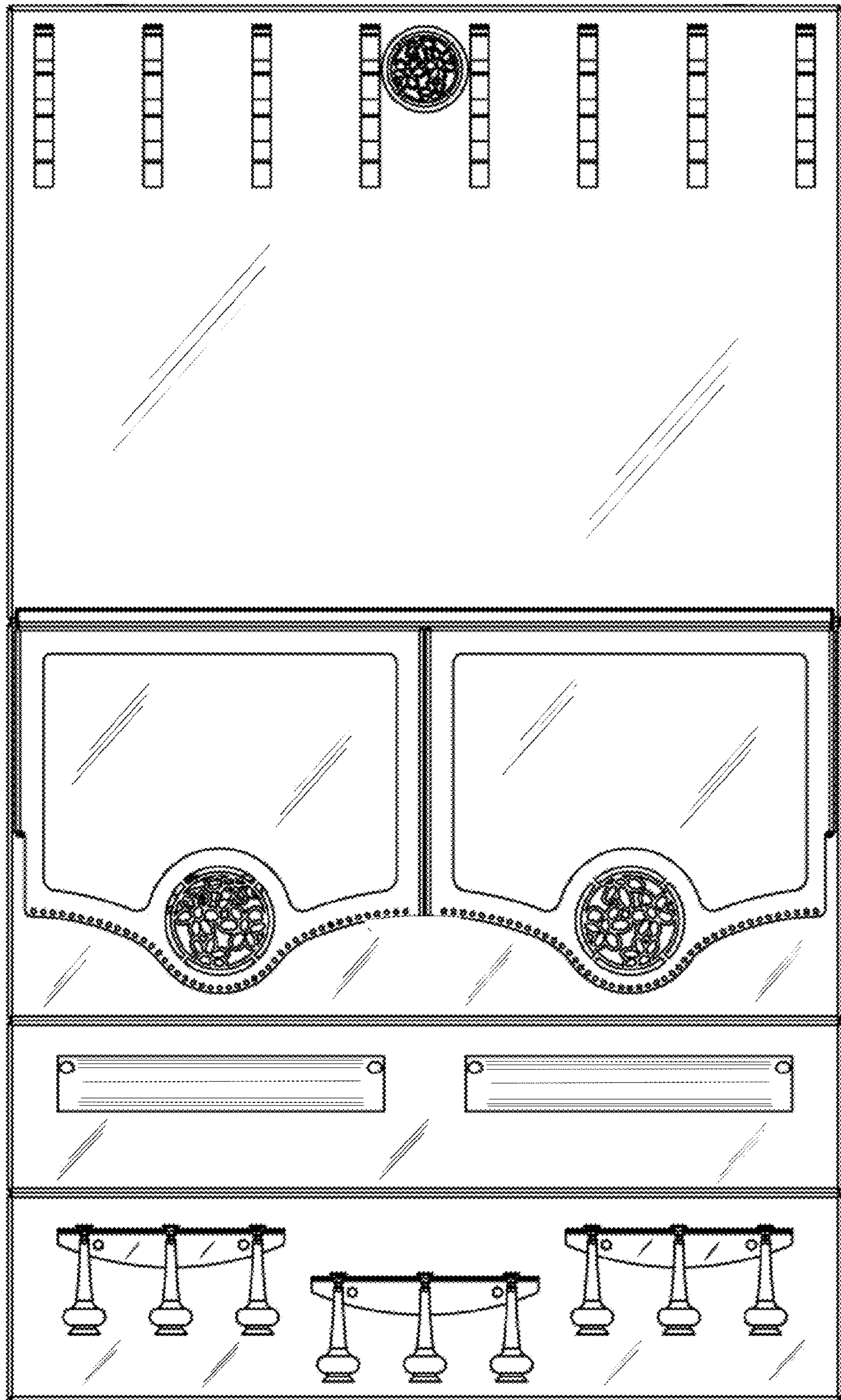


FIG. 1

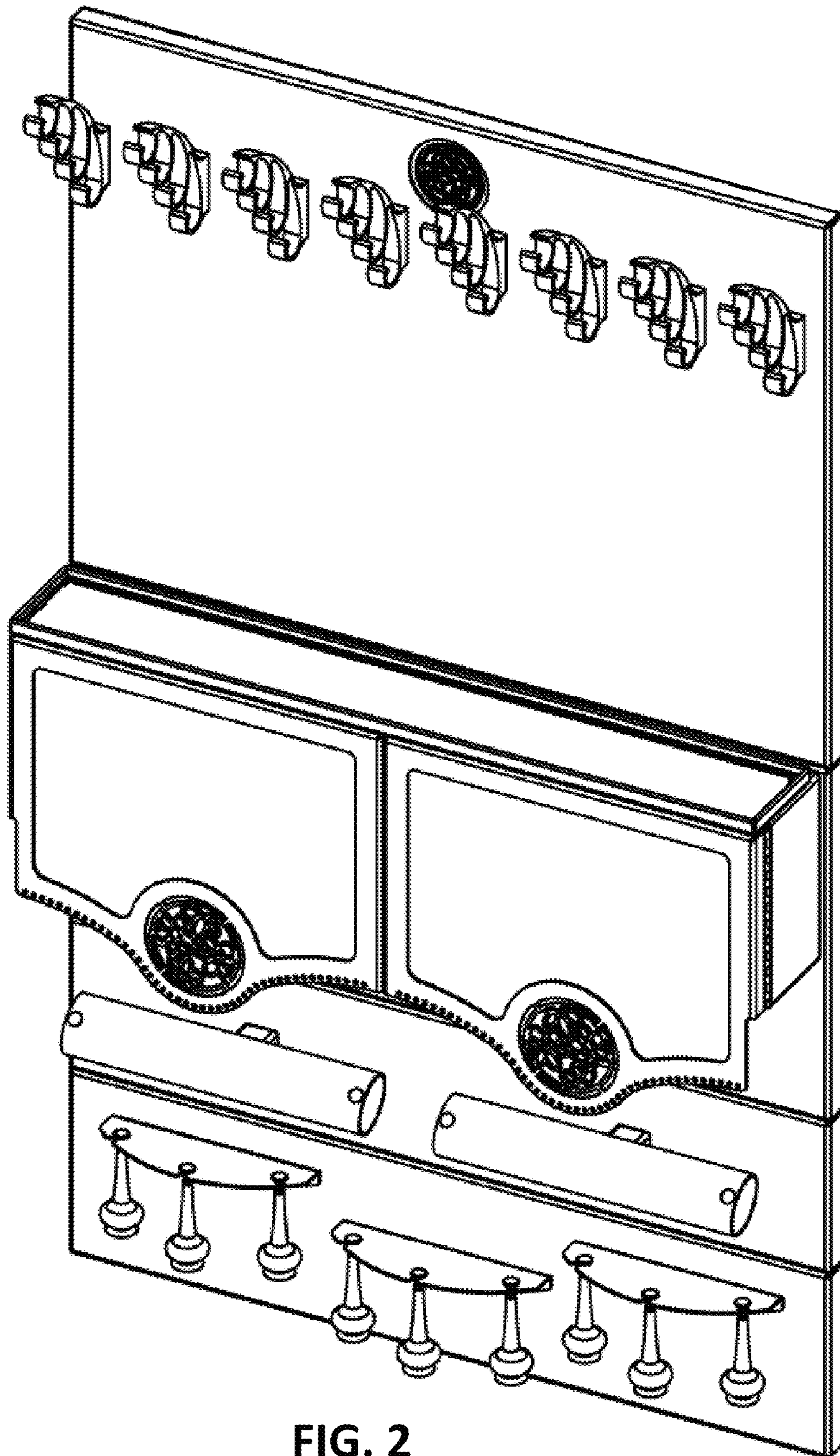


FIG. 2

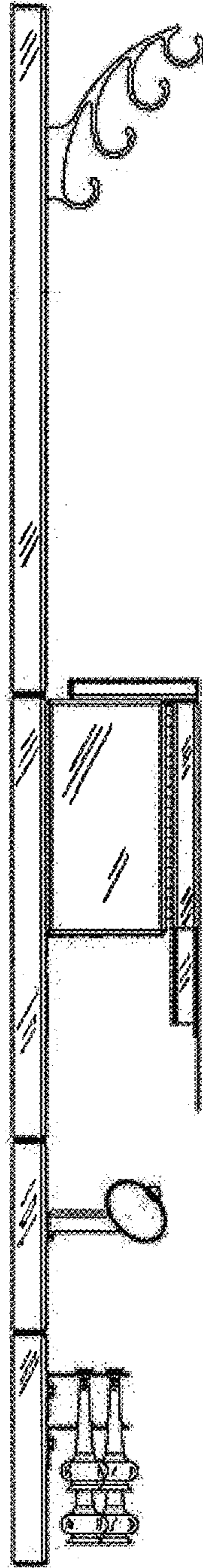


FIG. 3

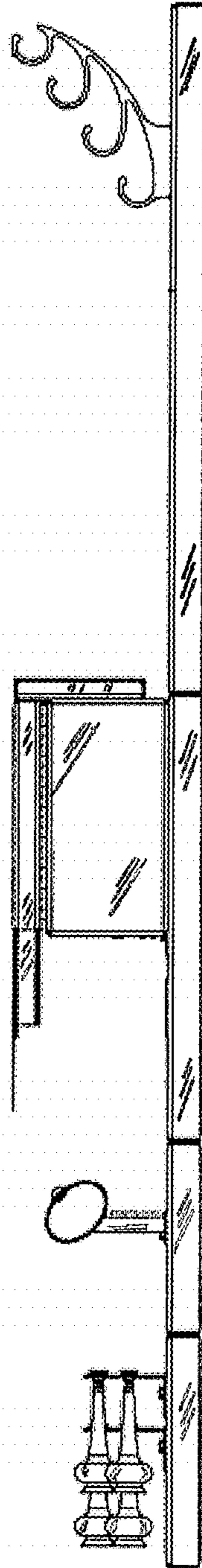


FIG. 4

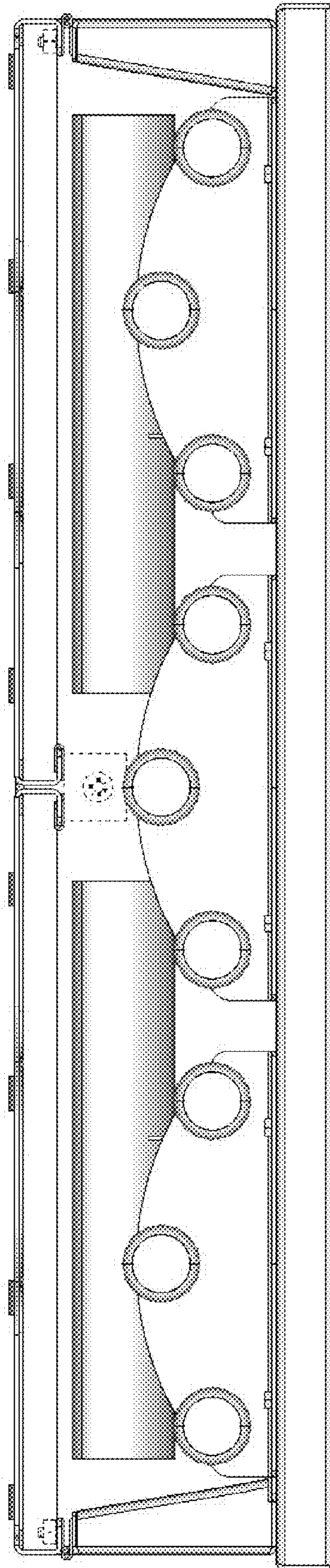


FIG. 5

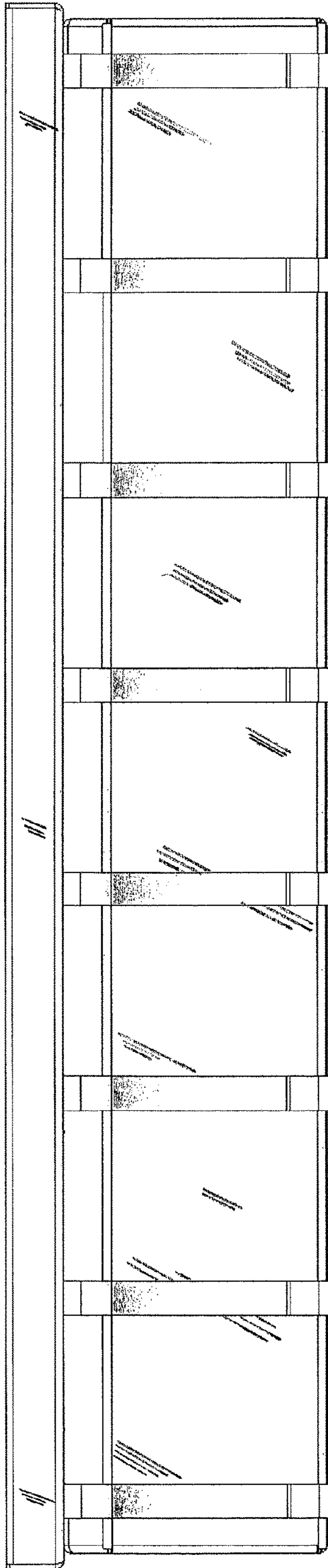


FIG. 6

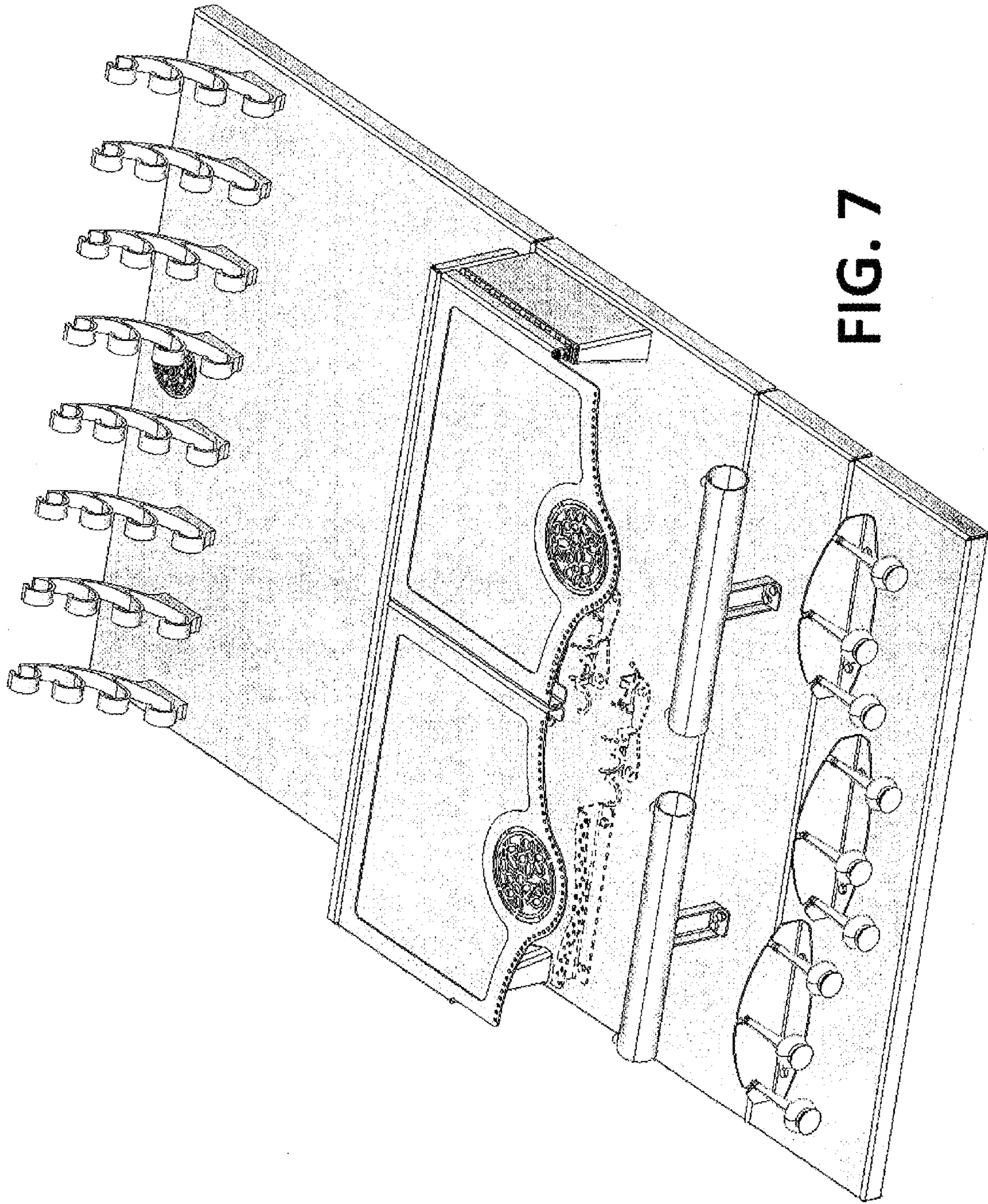


FIG. 7

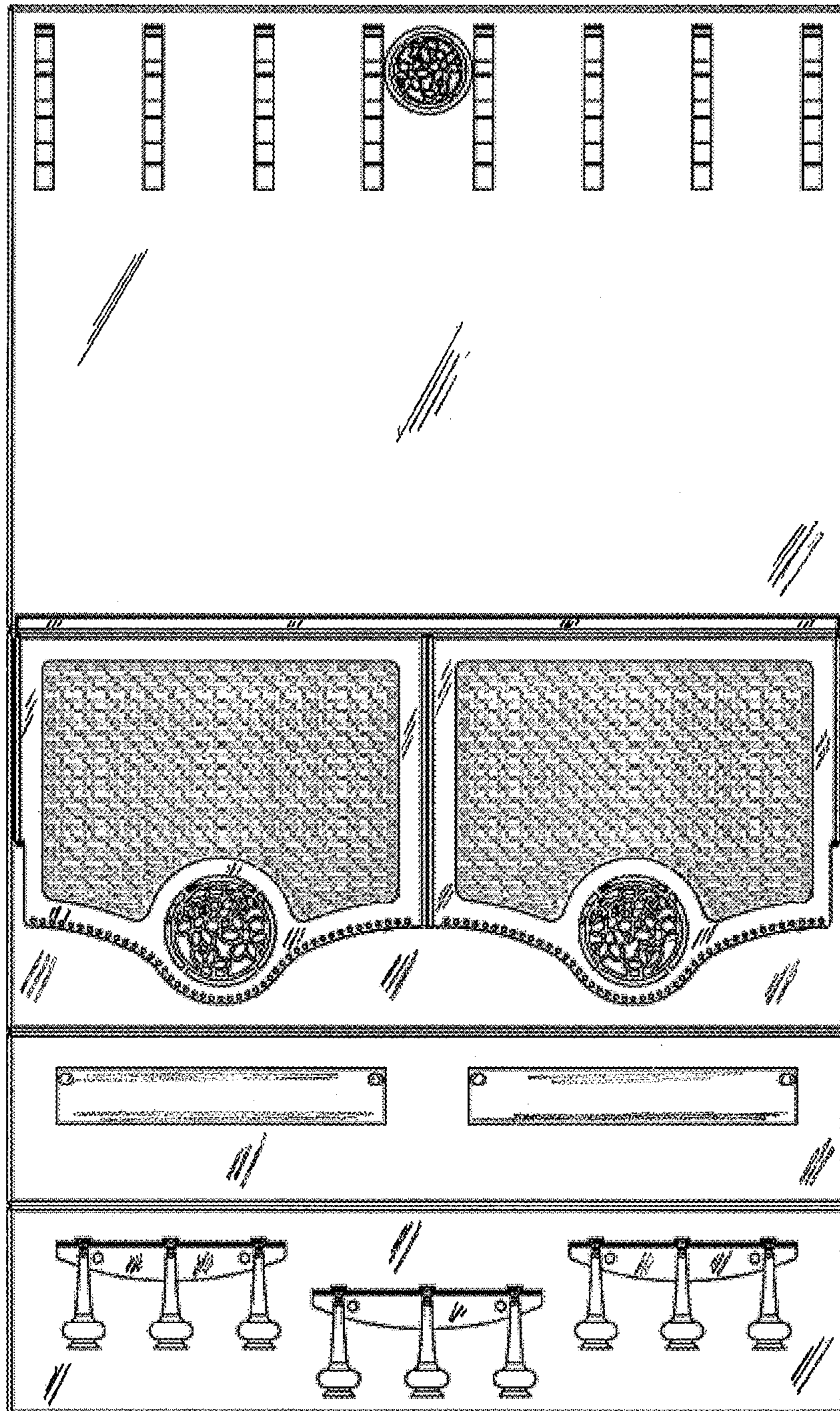


FIG. 8