



US00D774795S

(12) **United States Design Patent**
Goodman et al.

(10) **Patent No.:** **US D774,795 S**

(45) **Date of Patent:** **** Dec. 27, 2016**

(54) **SPONGE BRUSH CRADLE**

(71) Applicant: **Spectrum Diversified Designs, Inc.**,
Streetsboro, OH (US)

(72) Inventors: **Sheldon H. Goodman**, Solon, OH
(US); **Phaysouk Xayoiphonh**, Akron,
OH (US)

(73) Assignee: **Spectrum Diversified Designs, LLC**,
Streetsboro, OH (US)

(**) Term: **14 Years**

(21) Appl. No.: **29/518,600**

(22) Filed: **Feb. 25, 2015**

(51) **LOC (10) Cl.** **06-04**

(52) **U.S. Cl.**
USPC **D6/512**

(58) **Field of Classification Search**
USPC D6/512, 525, 536, 553; D7/354, 629;
D30/133; D32/3, 55, 58; 211/41.3, 41.5,
211/41.8
CPC A47L 13/38; A47L 13/16; A47L 13/44;
A47L 13/46
See application file for complete search history.

(56) **References Cited**

U.S. PATENT DOCUMENTS

D642,841 S * 8/2011 Dretzka D6/553
D668,496 S * 10/2012 Ho D6/553

D691,774 S * 10/2013 Goodman D32/55
D692,633 S * 10/2013 Goodman D32/55
D718,510 S * 11/2014 Goodman D32/55
D723,293 S * 3/2015 Goodman D6/513
D723,761 S * 3/2015 Goodman D32/55
D724,346 S * 3/2015 Lim D6/553

* cited by examiner

Primary Examiner — Wan Laymon

Assistant Examiner — Mark Booker

(74) *Attorney, Agent, or Firm* — Benesch, Friedlander,
Coplan & Aronoff LLP

(57) **CLAIM**

What is claimed is the ornamental design for a sponge brush
cradle, as shown and described.

DESCRIPTION

FIG. 1 is a perspective view of a sponge brush cradle
showing a new design;

FIG. 2 is a front view of the sponge brush cradle of FIG. 1;

FIG. 3 is a rear view of the sponge brush cradle of FIG. 1;

FIG. 4 is a side view of the sponge brush cradle of FIG. 1;

FIG. 5 is a top view of the sponge brush cradle of FIG. 1;

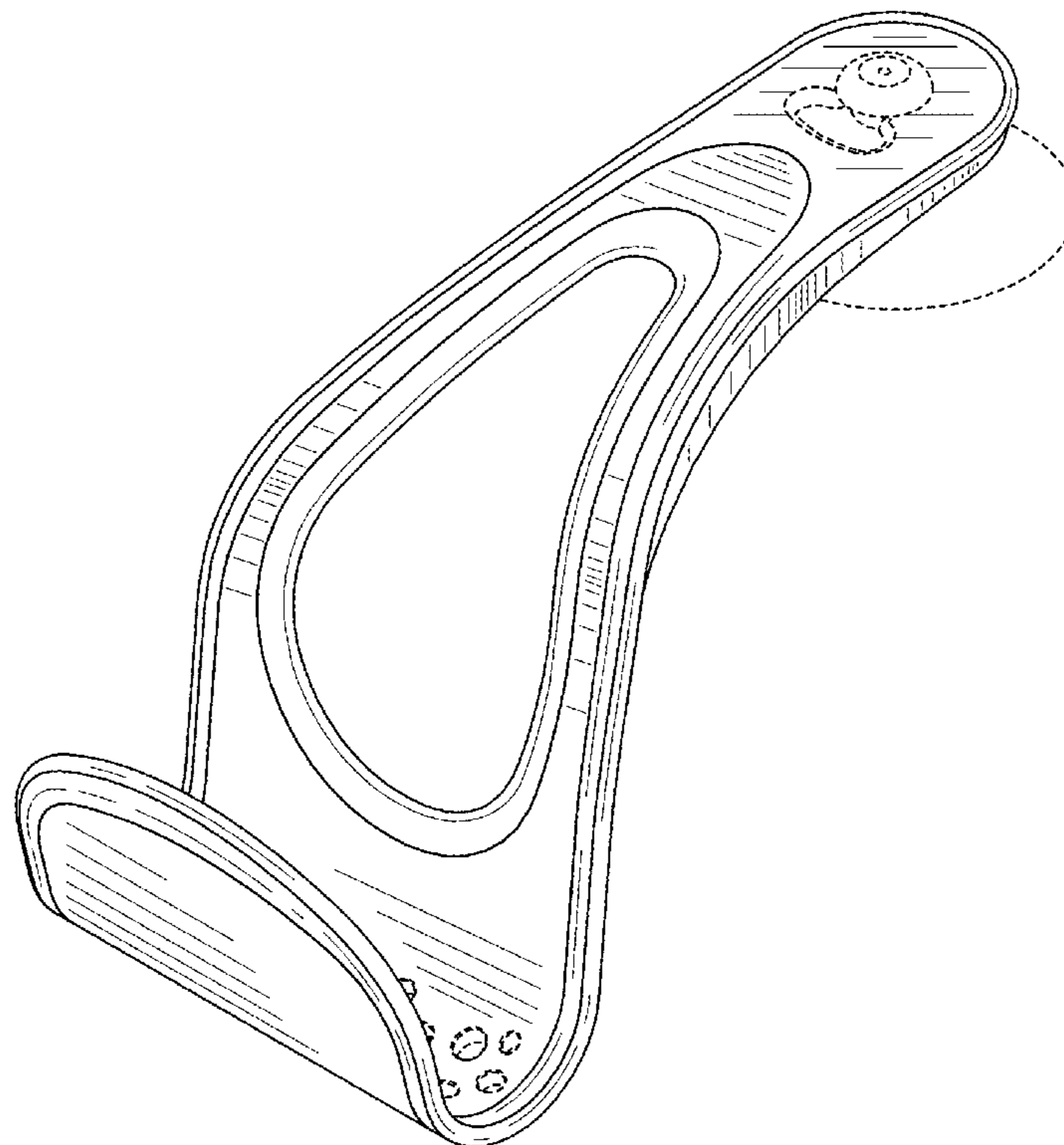
and,

FIG. 6 is a bottom view of the sponge brush cradle of FIG.

1.

The components of the display shown in broken lines
illustrate portions of the sponge brush cradle form no part of
the claimed design.

1 Claim, 4 Drawing Sheets



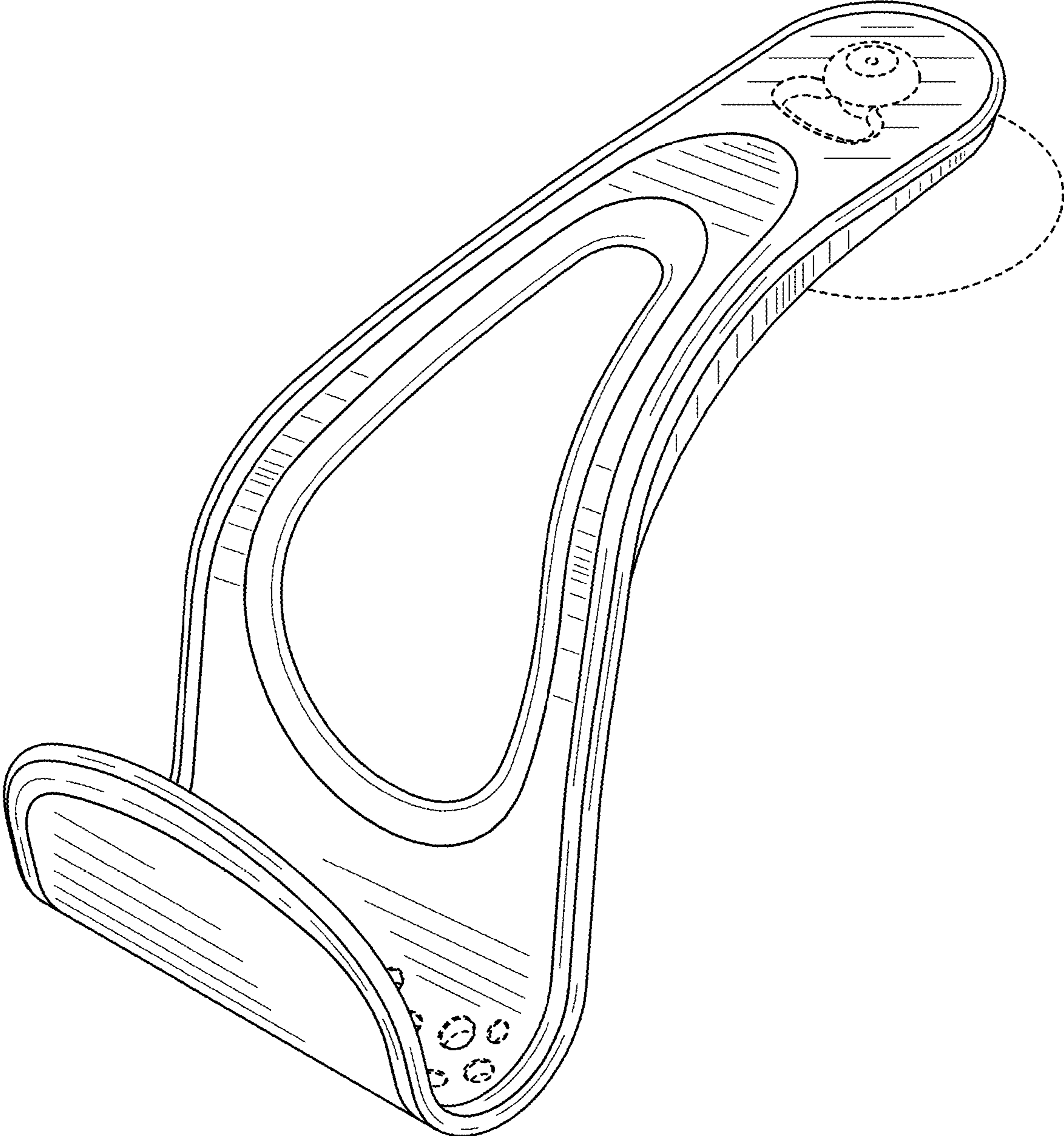


FIG. 1

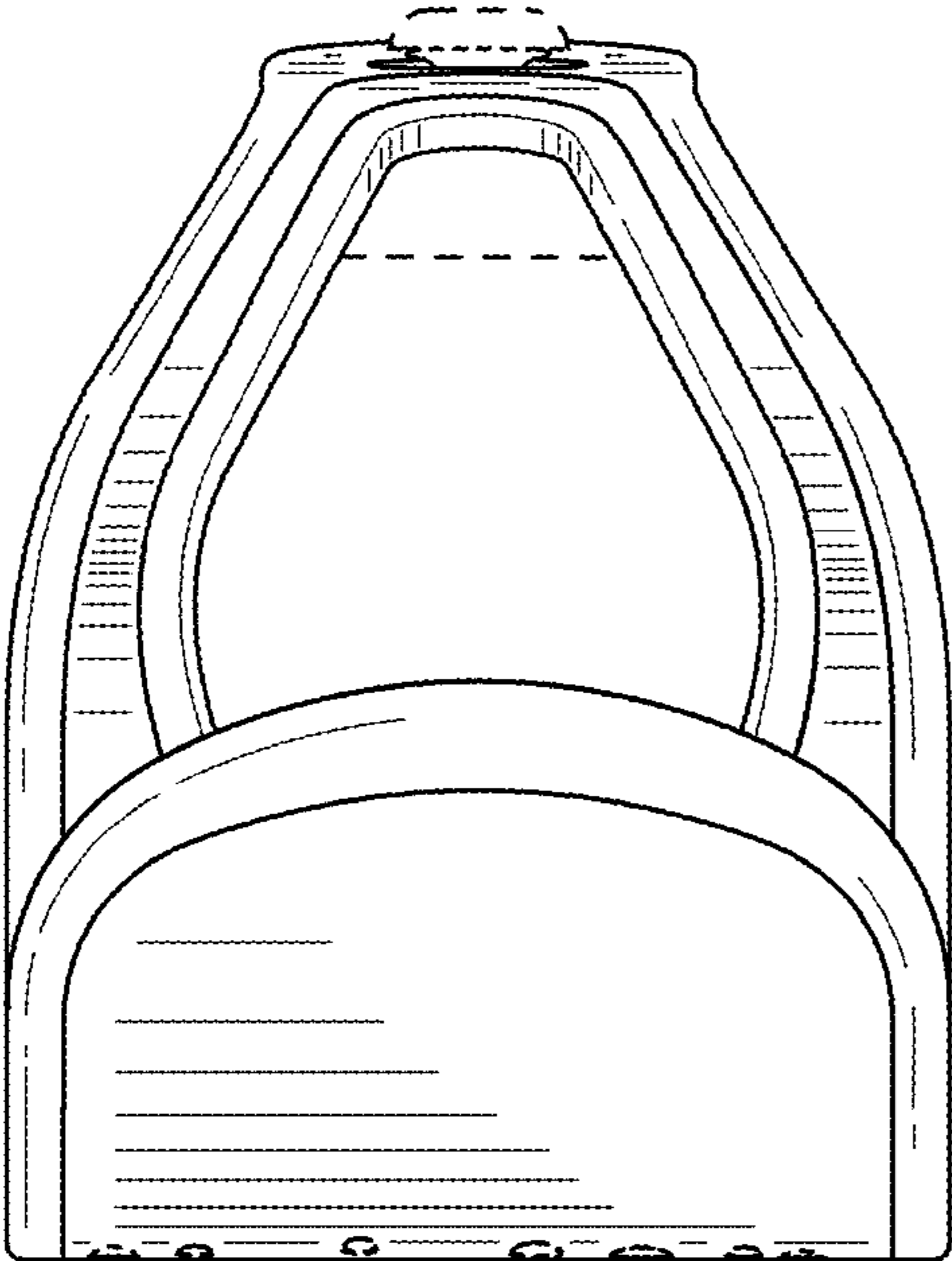


FIG. 2

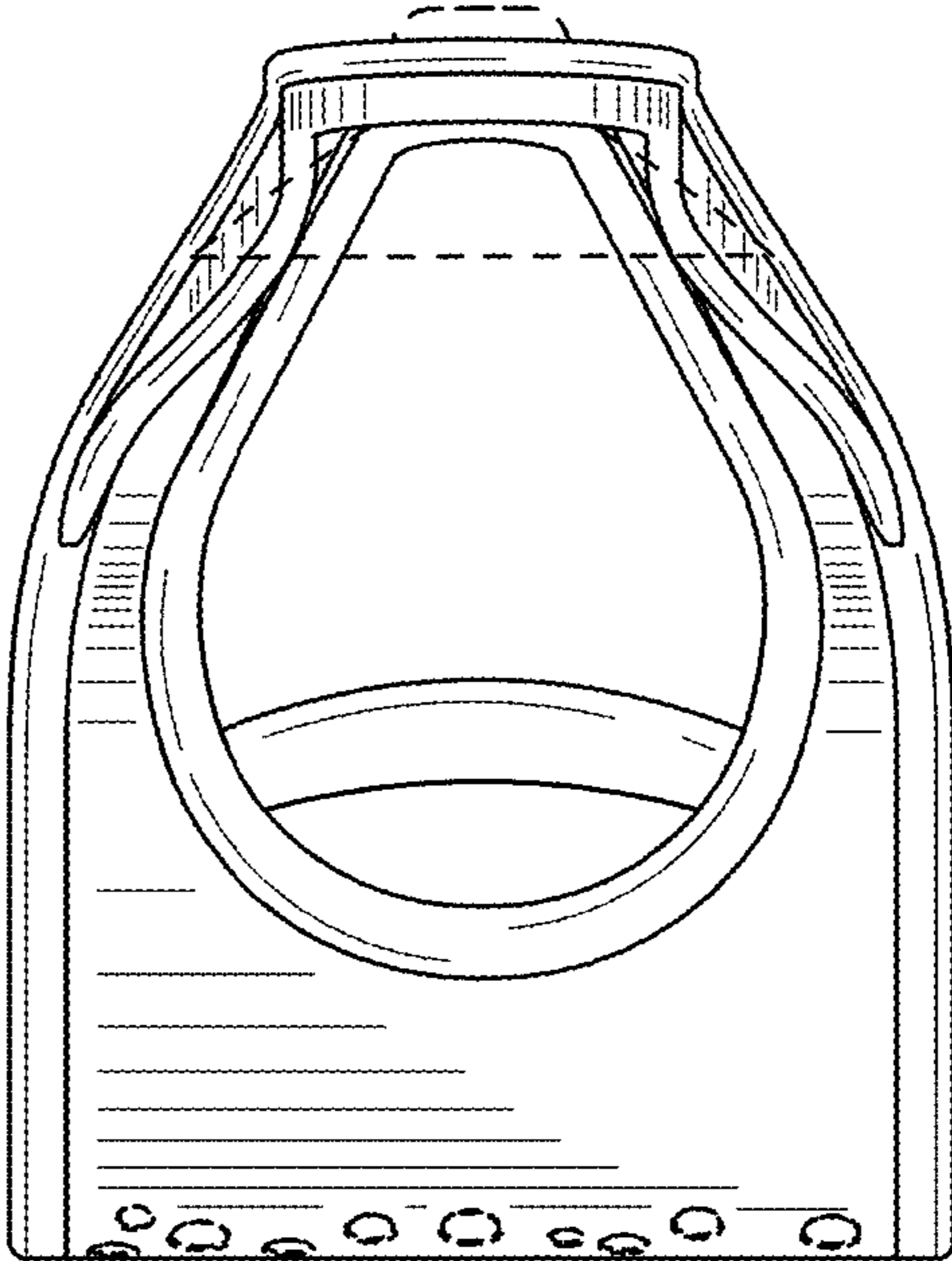


FIG. 3

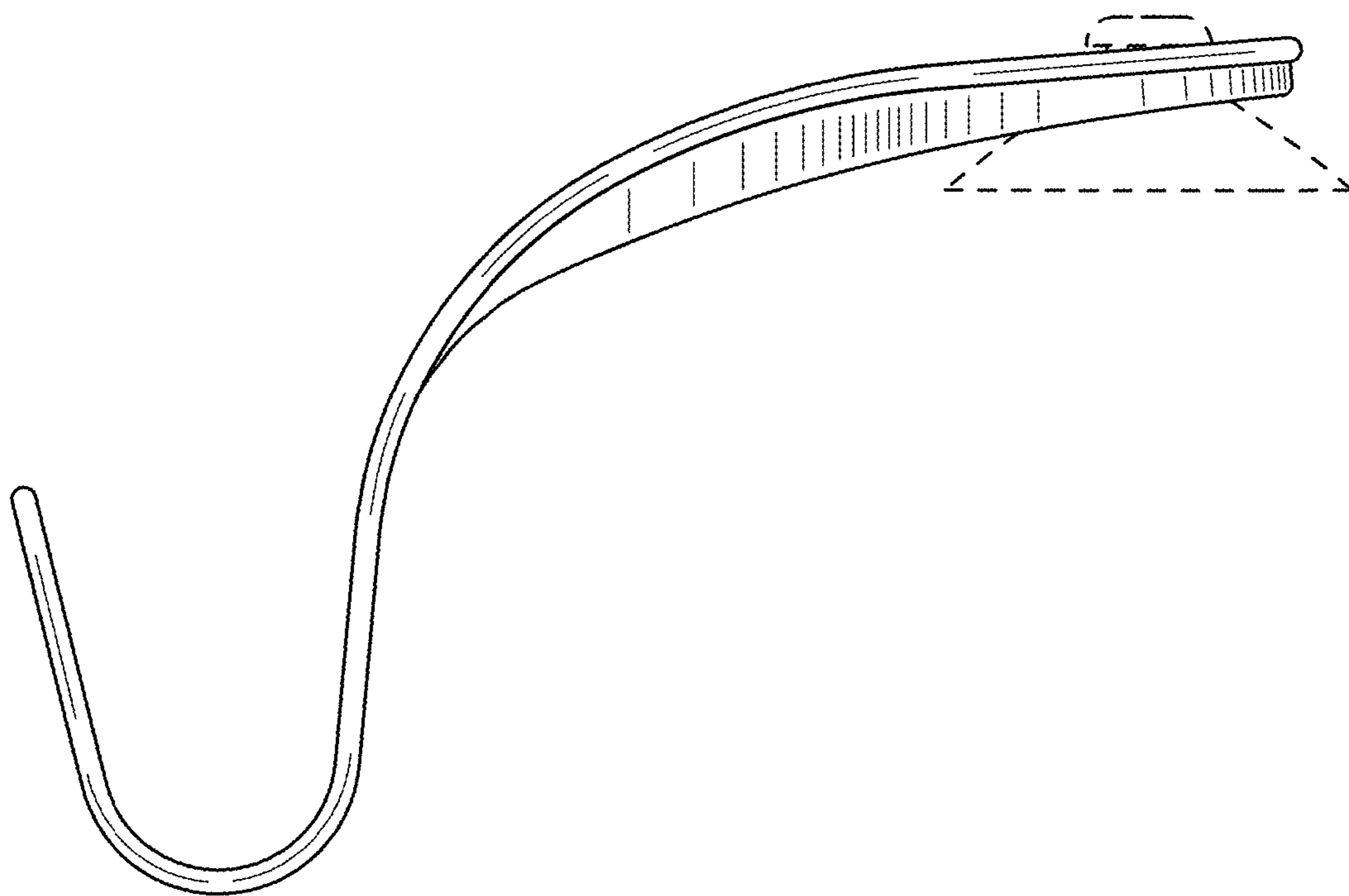


FIG. 4

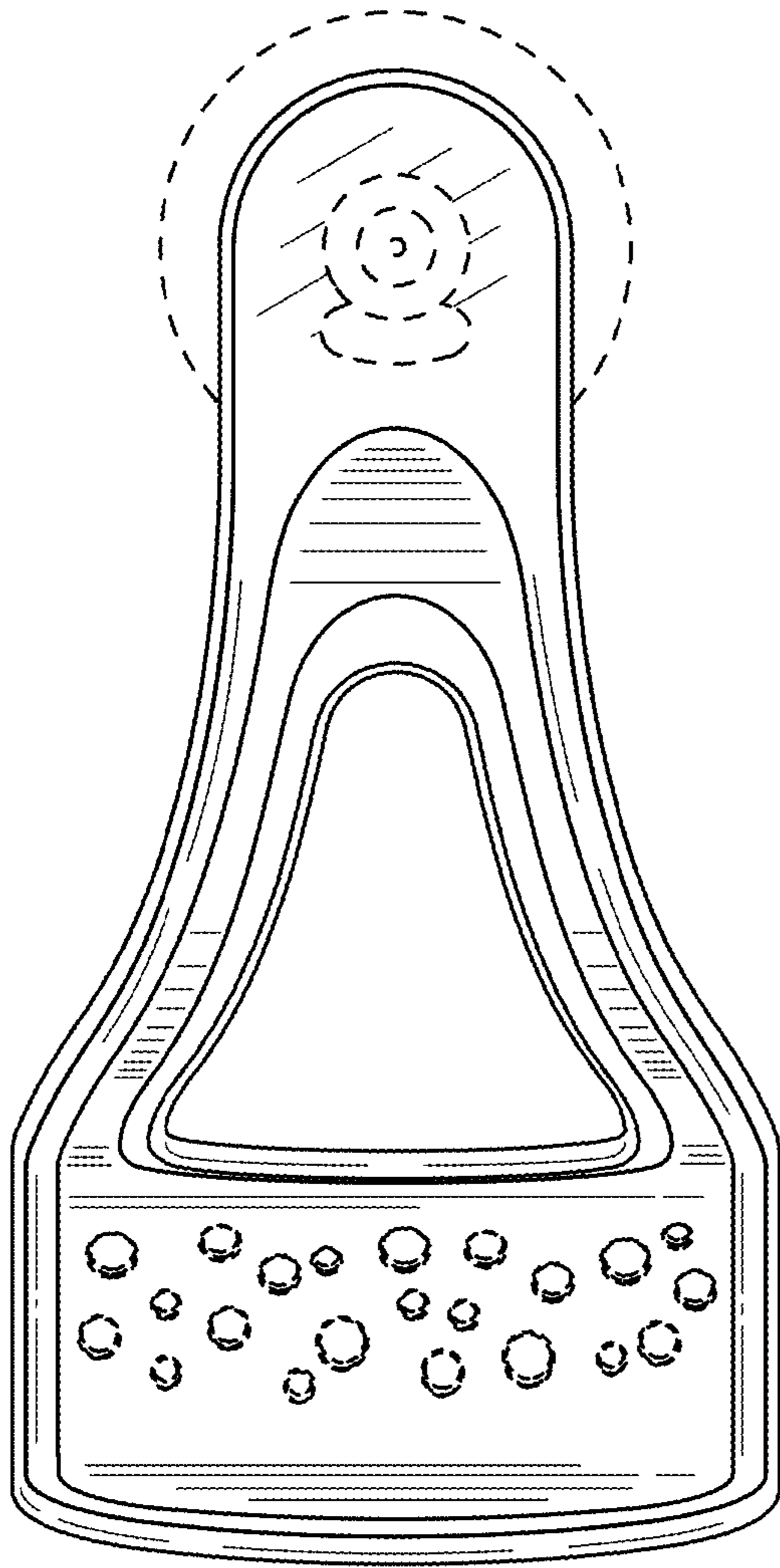


FIG. 5

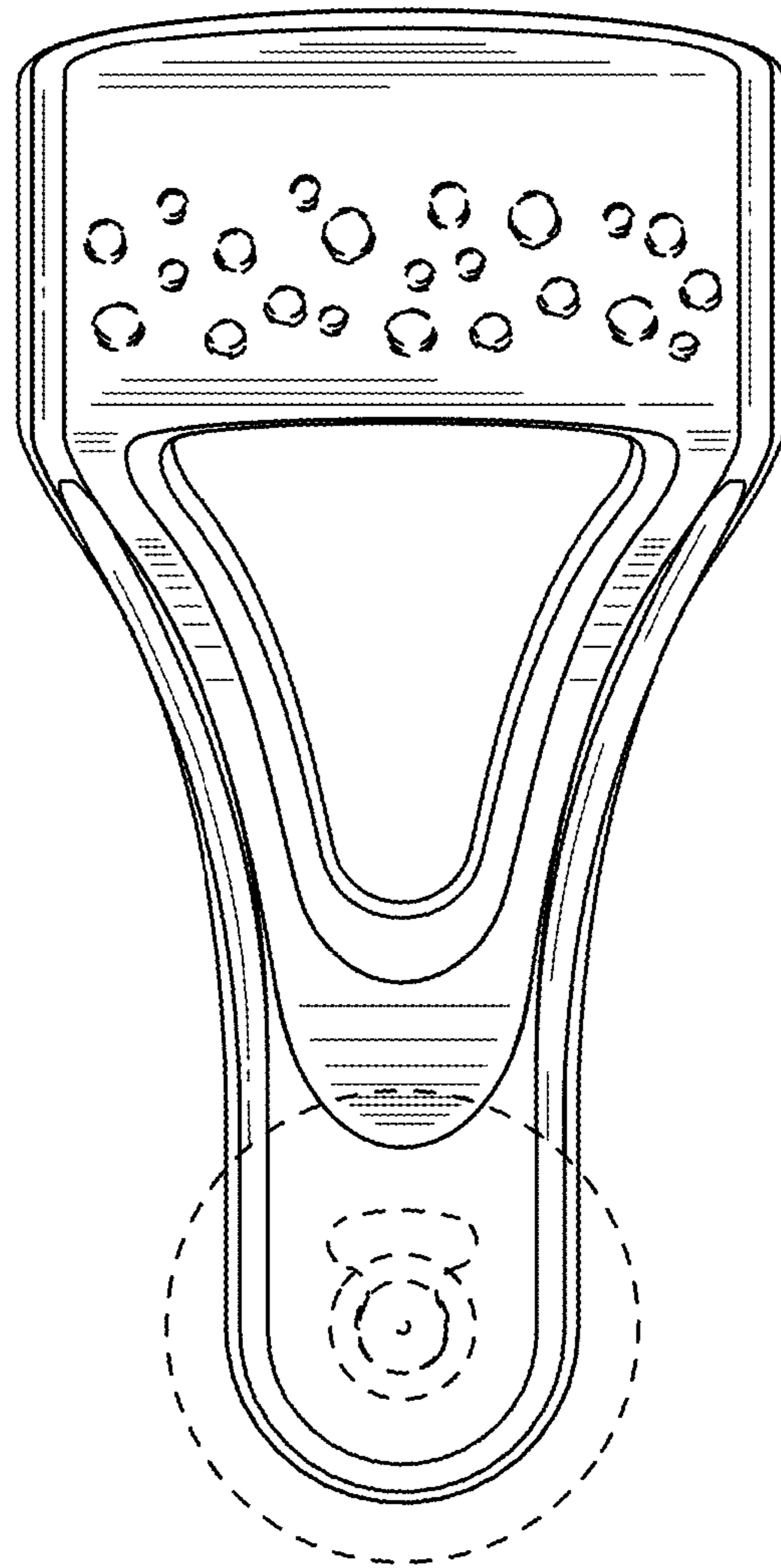


FIG. 6