



US00D774791S

(12) **United States Design Patent** (10) **Patent No.:** **US D774,791 S**
Toll (45) **Date of Patent:** **** Dec. 27, 2016**

(54) **BICYCLE SEAT**

OTHER PUBLICATIONS

(71) Applicant: **TAMPA BAY RECREATION, LLC**,
Lutz, FL (US)

“No-Nose Bicycle Seats: Are They The Answer to Erectile Dysfunction . . .” Tree Hugger., Sep. 17, 2010 [online], [retrieved on Jul. 8, 2016]. Retrieved from the Internet <URL: http://www.treehugger.com/bikes/no-nose-bicycle-seats-are-they-the-answer-to-erectile-dysfunction-and-prostate-problems-among-cyclists.html>.*

(72) Inventor: **Steven G. Toll**, Tampa, FL (US)

(73) Assignee: **ISM Saddles, LLC**, Lutz, FL (US)

(Continued)

(**) Term: **15 Years**

Primary Examiner — Darlington Ly

(21) Appl. No.: **29/539,813**

(74) *Attorney, Agent, or Firm* — Akerman LLP; Peter A. Chiabotti

(22) Filed: **Sep. 17, 2015**

(57) **CLAIM**

The ornamental design for a bicycle seat, as shown and described.

Related U.S. Application Data

DESCRIPTION

(60) Division of application No. 29/499,874, filed on Aug. 19, 2014, which is a continuation-in-part of
(Continued)

(51) **LOC (10) Cl.** **06-01**

(52) **U.S. Cl.**

USPC **D6/354**

(58) **Field of Classification Search**

USPC D6/340, 354; D12/110, 111; 296/65.13, 296/68.1, 132; 297/195.1, 196–215, 297/215.1–216.16, 452.1, 452.11–452.19, 297/452.21, 452.4, 452.55–452.59, 297/452.63–452.65

(Continued)

FIG. 1 is a perspective view of the ornamental design; FIG. 2 is a top plan view of the ornamental design of FIG. 1; FIG. 3 is a bottom plan view of the ornamental design of FIG. 1; FIG. 4 is a left side elevation view of the ornamental design of FIG. 1; FIG. 5 is a right side elevation view of the ornamental design of FIG. 1; FIG. 6 is a front view of the ornamental design of FIG. 1; FIG. 7 is a rear view of the ornamental design of FIG. 1; FIG. 8 is a perspective view of an alternative embodiment of the ornamental design of FIG. 1; FIG. 9 is a top plan view of the ornamental design of FIG. 8; FIG. 10 is a bottom plan view of the ornamental design of FIG. 8; FIG. 11 is a left side elevation view of the ornamental design of FIG. 8; FIG. 12 is a right side elevation view of the ornamental design of FIG. 8; FIG. 13 is a front view of the ornamental design of FIG. 8; and, FIG. 14 is a rear view of the ornamental design of FIG. 8.

(56) **References Cited**

U.S. PATENT DOCUMENTS

642,191 A 1/1890 Wright
464,653 A 12/1891 Latta

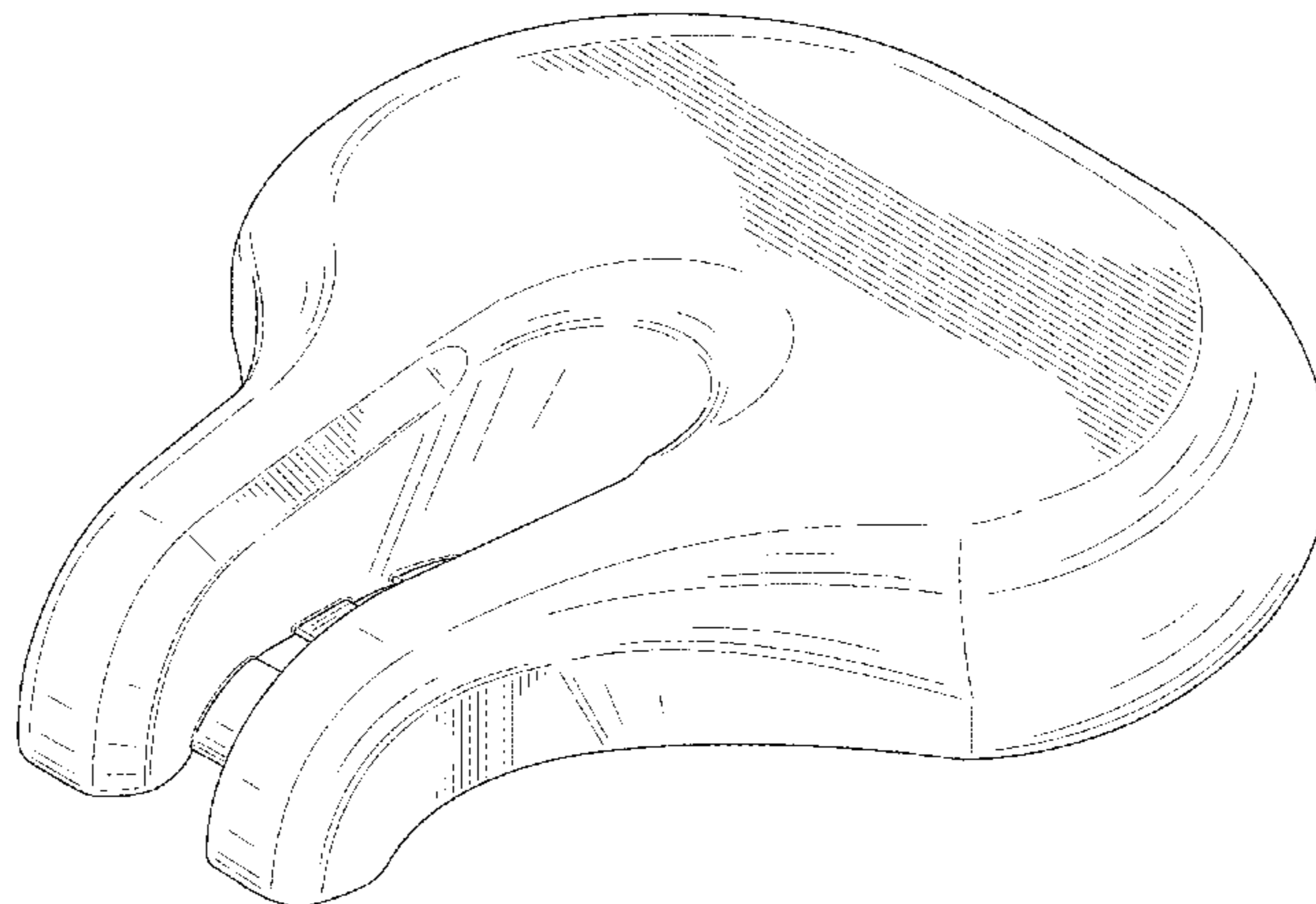
(Continued)

FOREIGN PATENT DOCUMENTS

JP 2007-186075 7/2007
JP 2008-509047 3/2008

(Continued)

1 Claim, 10 Drawing Sheets



Related U.S. Application Data

application No. 29/484,042, filed on Mar. 5, 2014, now Pat. No. Des. 724,330.

(58) **Field of Classification Search**

CPC B62J 1/002; B62J 1/005; B62J 1/007; B62J 1/26

See application file for complete search history.

(56) **References Cited**

U.S. PATENT DOCUMENTS

532,444 A 1/1895 Christy
 537,375 A 4/1895 Wright et al.
 568,626 A 9/1896 Pierce et al.
 570,497 A 11/1896 Pattison
 572,062 A 11/1896 Peck
 602,732 A 4/1898 Craig
 605,151 A 6/1898 Twist
 608,682 A 8/1898 Jamieson
 612,552 A 10/1898 Standeford
 612,972 A * 10/1898 Leech B62J 1/002
 297/201
 D29,719 S 11/1898 Leech et al.
 619,204 A 2/1899 Moore
 622,357 A 4/1899 Hitchcock et al.
 623,238 A 4/1899 Davis
 629,956 A 8/1899 Craig
 635,598 A 10/1899 Rowe
 654,720 A 7/1900 Englebert
 701,390 A 6/1902 Provoost
 872,124 A 11/1907 Hammaren
 1,462,976 A 9/1922 Mesinger
 1,538,542 A 2/1924 Blake
 1,858,477 A * 5/1932 Blake B62J 1/02
 297/202
 3,844,611 A 10/1974 Young
 4,429,915 A 2/1984 Flager
 4,898,422 A 2/1990 West
 4,999,068 A 3/1991 Chiarella
 5,011,222 A 4/1991 Yates et al.
 5,108,076 A 4/1992 Chiarella
 5,167,435 A 12/1992 Aldi
 5,676,420 A 10/1997 Kuipers et al.
 5,765,912 A 6/1998 Bontrager
 5,863,094 A 1/1999 Endo
 5,873,626 A 2/1999 Katz
 D407,910 S 4/1999 Terry
 D408,159 S * 4/1999 Clutton D6/354
 D409,009 S 5/1999 Toll et al.
 D416,394 S 11/1999 Minkow et al.
 D417,560 S 12/1999 Tollefson et al.
 6,019,423 A * 2/2000 Dodge B62J 1/002
 297/195.1
 6,039,395 A 3/2000 Culbertson
 D429,905 S * 8/2000 White D6/354
 6,113,184 A 9/2000 Barnes
 6,139,098 A 10/2000 Carrillo
 6,193,309 B1 * 2/2001 Gootter B62J 1/002
 297/202
 6,224,151 B1 5/2001 McMullen
 6,244,655 B1 6/2001 Minkow et al.
 6,290,291 B1 9/2001 Kojima
 D454,258 S 3/2002 Yates
 6,422,647 B1 7/2002 Turudich
 6,450,572 B1 9/2002 Kuipers
 6,652,025 B2 11/2003 Sylvester
 6,669,283 B2 12/2003 Yu
 6,761,400 B2 7/2004 Hobson
 6,783,176 B2 8/2004 Ladson, III
 6,880,885 B2 4/2005 Lan
 6,957,857 B1 10/2005 Lee
 7,025,417 B2 4/2006 Cohen
 7,077,469 B2 7/2006 Farré
 7,104,600 B2 9/2006 Scholz
 7,121,622 B1 10/2006 Mendez

7,374,517 B2 5/2008 Lockett
 D575,070 S 8/2008 Toll
 7,441,836 B2 10/2008 Chen et al.
 7,478,871 B2 1/2009 Pandozy
 7,537,281 B2 * 5/2009 Riondato B62J 1/002
 297/202
 D604,056 S 11/2009 Toll et al.
 D604,057 S 11/2009 Toll
 7,699,391 B2 4/2010 Riondato
 D622,973 S 9/2010 Toll
 7,934,770 B2 5/2011 Toll
 D639,081 S 6/2011 Toll
 7,976,102 B2 7/2011 Chang
 D642,846 S * 8/2011 Parish D6/601
 D677,479 S 3/2013 Toll
 D684,780 S * 6/2013 Toll D6/354
 D684,781 S 6/2013 Toll
 8,480,169 B2 7/2013 Bailie et al.
 D688,051 S 8/2013 Toll
 D688,052 S 8/2013 Toll
 D688,477 S 8/2013 Toll
 D688,478 S 8/2013 Toll
 D688,479 S 8/2013 Toll
 D720,939 S 1/2015 Toll
 D722,446 S * 2/2015 Toll D6/354
 D724,329 S 3/2015 Toll
 D753,925 S 4/2016 Toll
 D754,450 S 4/2016 Toll
 D756,675 S 5/2016 Toll
 2002/0117880 A1 8/2002 Ladson
 2003/0034678 A1 * 2/2003 Farre A47C 3/20
 297/195.11
 2003/0038515 A1 2/2003 Martin et al.
 2003/0067195 A1 * 4/2003 Sylvester B62J 1/005
 297/201
 2003/0071498 A1 4/2003 Yu
 2005/0006932 A1 1/2005 Laidlaw
 2007/0069557 A1 * 3/2007 Toll B62J 1/007
 297/202
 2007/0102970 A1 5/2007 Wallace
 2007/0200399 A1 8/2007 Riondato
 2008/0265636 A1 10/2008 Toll
 2009/0079237 A1 3/2009 Riondato
 2010/0109392 A1 5/2010 Toll
 2011/0298253 A1 12/2011 Toll
 2012/0086246 A1 4/2012 Belliveau
 2015/0239515 A1 8/2015 Toll

FOREIGN PATENT DOCUMENTS

JP 2011-143734 7/2011
 JP 2012-162255 8/2012
 WO 99/14103 3/1999
 WO 2006015731 2/2006
 WO 2007/038692 4/2007
 WO 2014/035972 2/2011
 WO 2013/134253 9/2013

OTHER PUBLICATIONS

“Noseless Saddles—My Two Cents Worth.” The Bike Noob., Jun. 30, 2011 [online], [retrieved on Jul. 8, 2016]. Retrieved from the Internet <URL: <http://bikenob.com/2011/06/30/noseless-saddles-my-two-cents-worth/>>.*
 “Noseless Bicycle Saddles—What You Need to Know.” Electro Heart Beats., Mar. 15, 2014 [online], [retrieved on Jul. 8, 2016]. Retrieved from the Internet <URL: <http://www.electroheartbeats.com/2014/03/noseless-bicycle-saddles-what-you-need.html>>.*
 U.S. Appl. No. 29/484,042 on Jul. 29, 2014 with the following characterization: “Podium Imports ISM Saddles.” Podium Imports., Feb. 20, 2013 [online], [retrieved on Jul. 19, 2014]. Retrieved from the Internet <URL: <http://www.podiumimports.ca/shop-online/brand/ism-saddles/>>.*
 U.S. Appl. No. 29/484,042 on Jul. 29, 2014 with the following characterization: Alter, Lloyd. “No—Nose Bicycle Seats: Are They The Answer to Erectile Dysfunction and Prostate . . .” Tree Hugger.,

(56)

References Cited

OTHER PUBLICATIONS

Sep. 17, 2010 [online], [retrieved on Jul. 19, 2014]. Retrieved from the Internet <URL: <http://www.treehugger.com/bikes/no-nose-bicycle-seats-are-they-the-answer-to-erectile-dysfunction-and-prostate-problems-among-cyclists.html>>.

U.S. Appl. No. 29/484,039 on Jul. 29, 2014 with the following characterization: Demerly, Tom. "ISM Adamo Time Trial and Racing 2 Saddles: The Triathlon Saddle Evolved . . ." Just Tri Talk., Feb. 27, 2013 [online], [retrieved on Jul. 19, 2014]. Retrieved from the Internet <URL: <http://justtritalk.com/ism-adamo-time-trial-and-racing-2-saddles-the-triathlon-saddle-evolved/>>.

Leibovitch et al., "The Vicious Cycling: Bicycling Related Urogenital Disorders", *European Urology* 47, pp. 277-287 (2005).

Randrup et al., "Bicycle Riding as a Cause for Erectile Dysfunction", www.medicalsexuality.org, pp. 26-27, (Nov. 2000).

Jeong et al., "Bicycle Saddle Shape affects penile blood flow", *International Journal of Impotence Research*, 14, 513-517 (2002).

Spears et al., "The Effect of Saddle Design on Stresses in the Perineum during Cycling", *Medical Science Sports Exercise*, vol. 35, No. 9, pp. 1620-1625 (2003).

Bressel et al., "Bicycle Seat Designs and Their Effect on Pelvic Angle, Trunk Angle, and Comfort", *Medical Science Sports Exercise*, vol. 35, No. 2, pp. 327-332 (2003).

Breda et al., and Adara Caruso, M.D., "Development of New Geometric Bicycle Saddle for the Maintenance of Genital—Perineal Vascular Perfusion," *Journal of Sexual Medicine*, vol. 2, Issue 5, pp. 605-611 (Sep. 2005).

Lowe et al., "Effect of Bicycle Saddle Designs on the Pressure to the Perineum of the Bicyclist", *Medical Science Sports Exercise*, vol. 36, No. 6, pp. 1055-1062 (2004).

Bressel et al., "Bicycle Seat Interface Pressure: Reliability, Validity, and Influence of Hand Position and Workload", *Journal of Biomechanics*, vol. 38, Issue 6, pp. 1325-1331 (Jun. 2005).

Bressel et al., "Influence of Bicycle Seat Pressure on compression of the perineum: a MRI Analysis," *Journal of Biomechanics* 40, pp. 198-202 (2007, Accepted Nov. 26, 2005).

U.S. Appl. No. 29/539,809 on Jul. 21, 2016 with the following characterization: "Noseless Saddles—My Two Cents Worth." *The Bike Noob.*, Jun. 30, 2011 [online], [retrieved on Jul. 8, 2016]. Retrieved from the Internet <URL: <http://bikenooob.com/2011/06/30/noseless-saddles-my-two-cents-worth/>>.

U.S. Appl. No. 29/539,809 on Jul. 21, 2016 with the following characterization: "Saddles Part 3—ISM ADAMO." *Bike Test Reviews.* Apr. 5, 2013 [online], [retrieved on Jul. 8, 2016]. Retrieved from the Internet <URL: <http://biketestreviews.com/saddles-part-3-ism-adamo/>>.

* cited by examiner

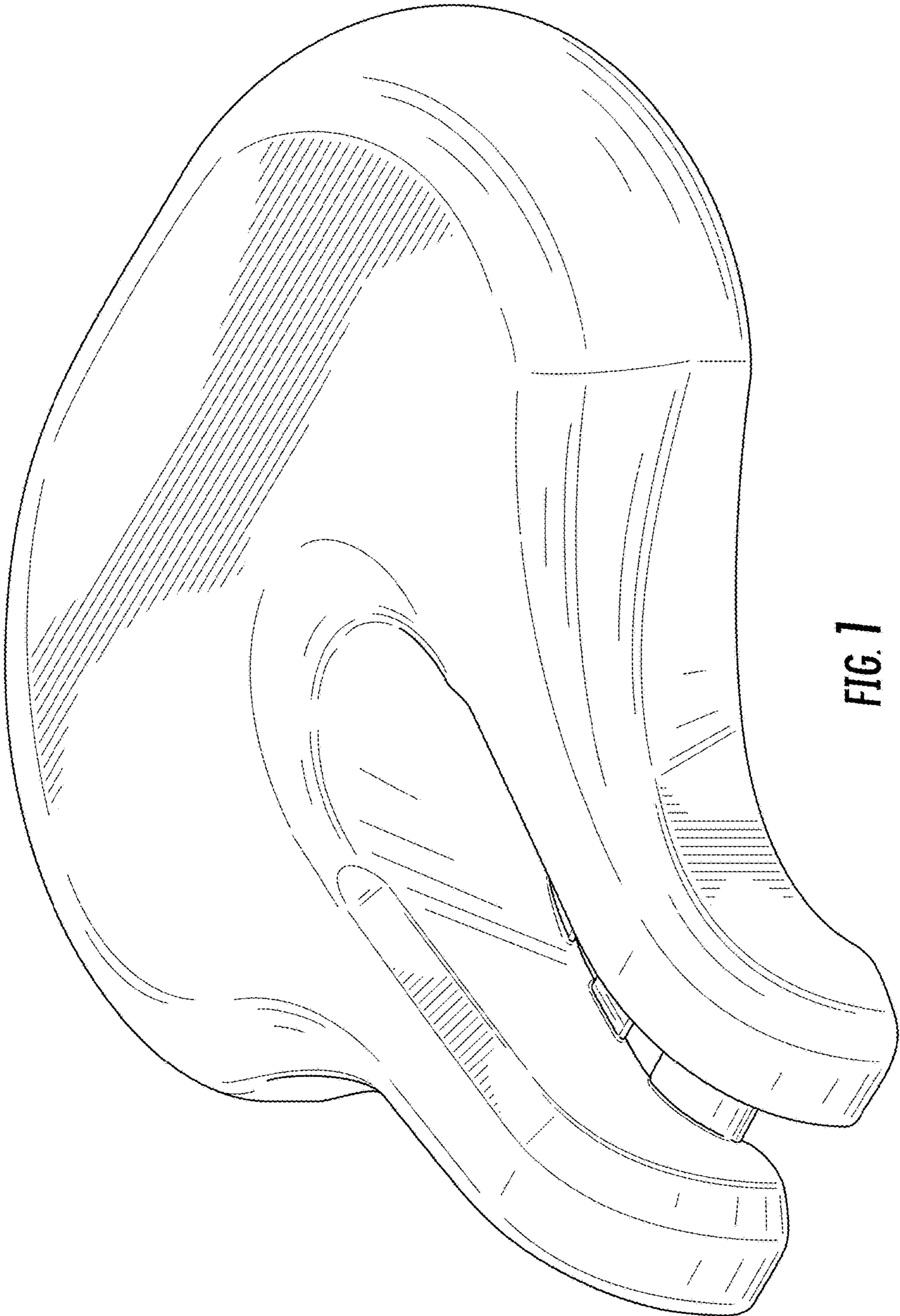


FIG. 1

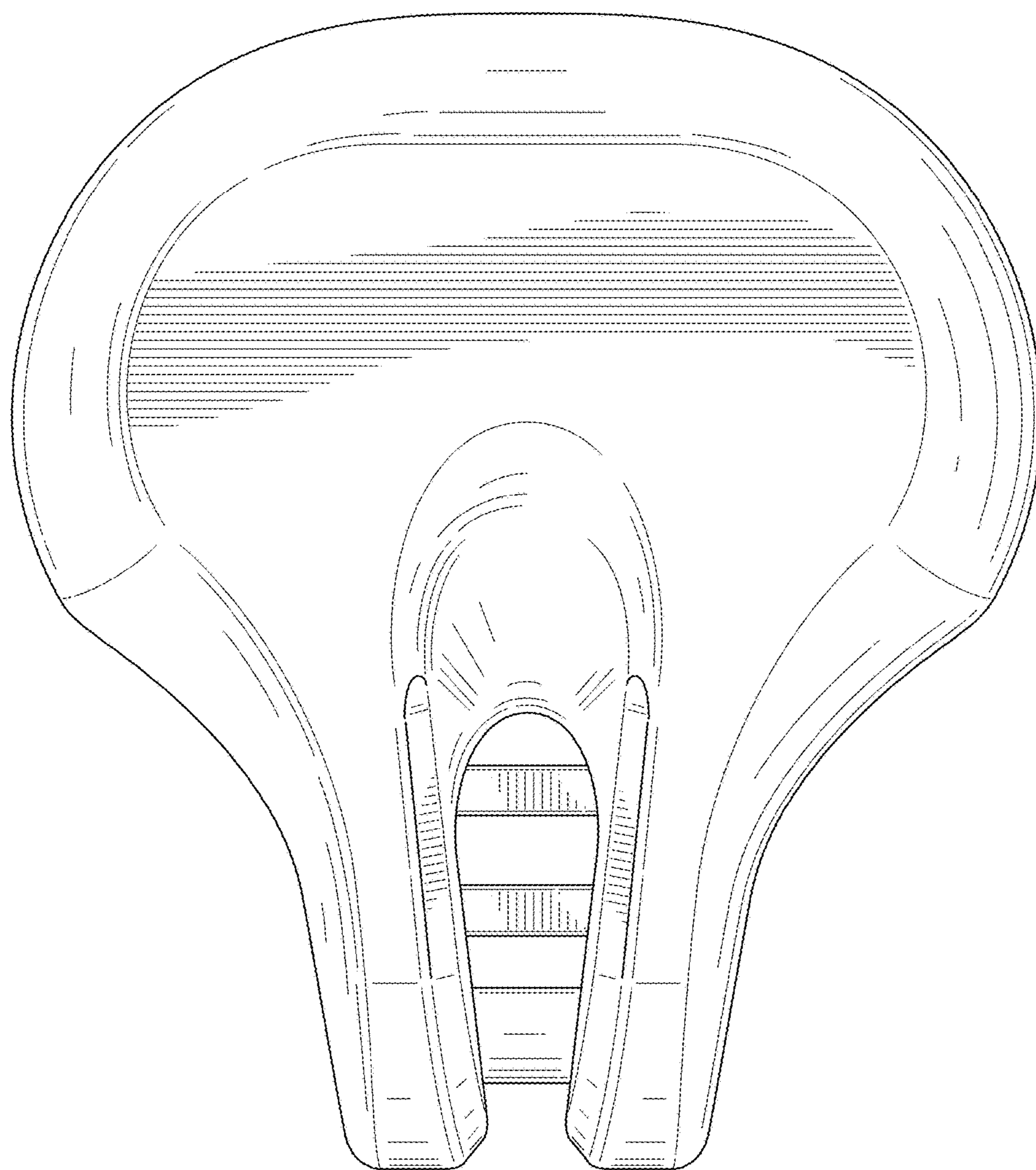


FIG. 2

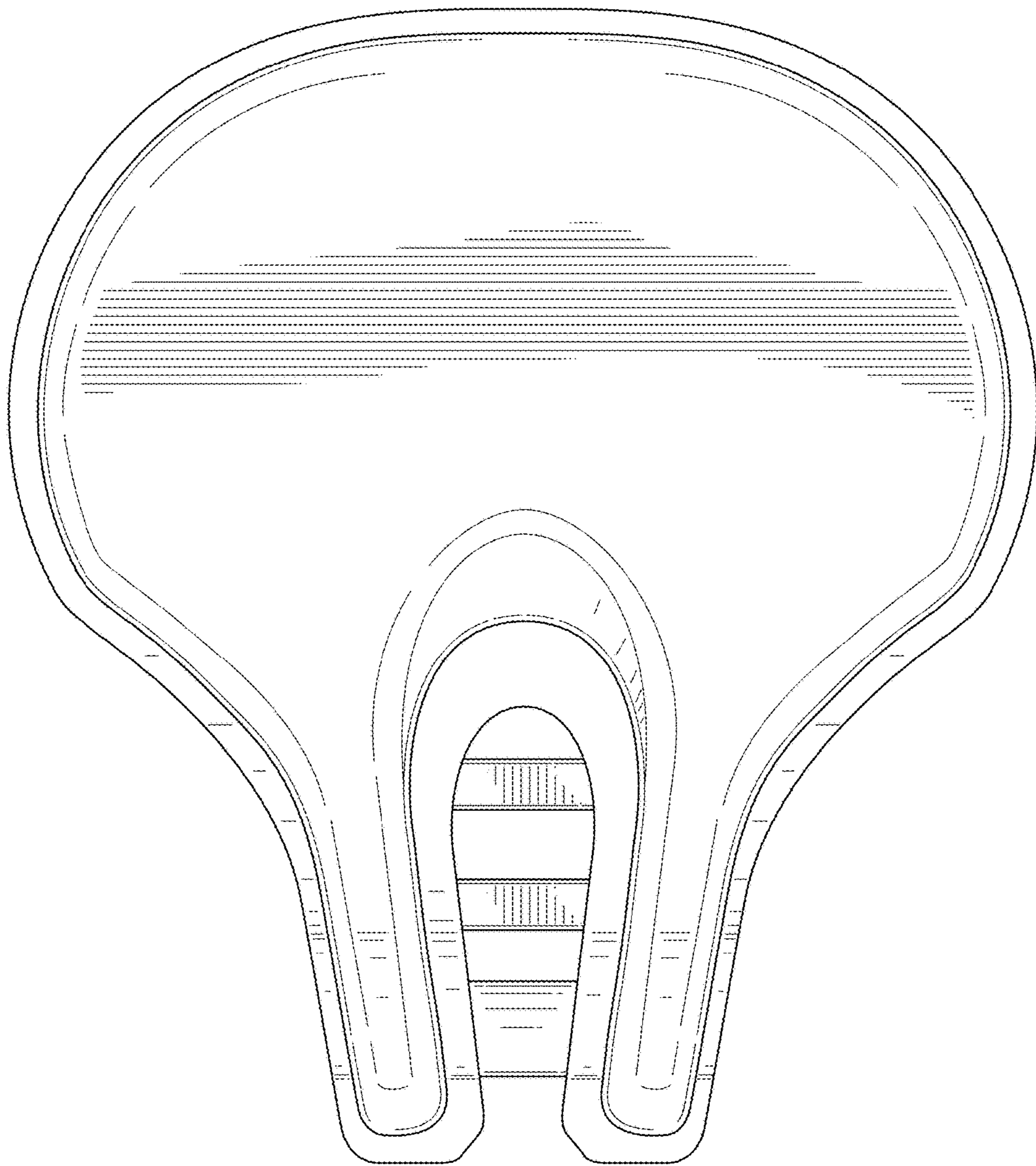


FIG. 3

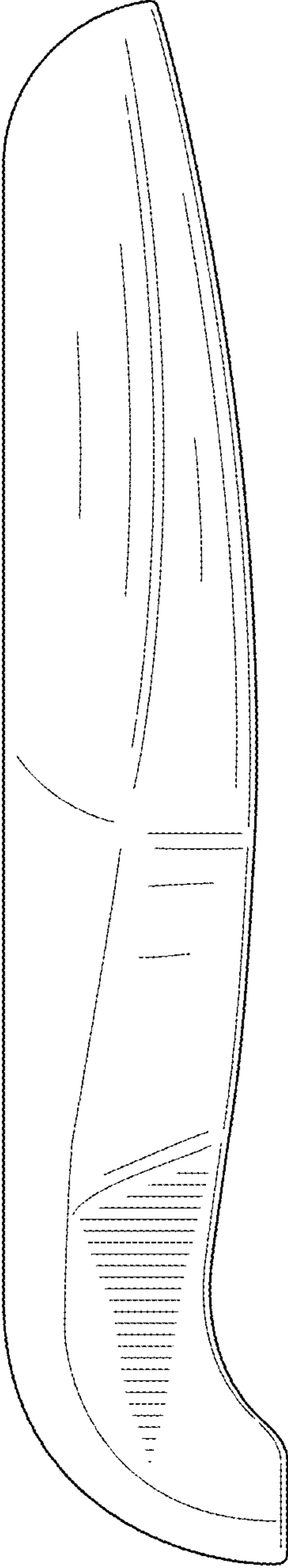


FIG. 4

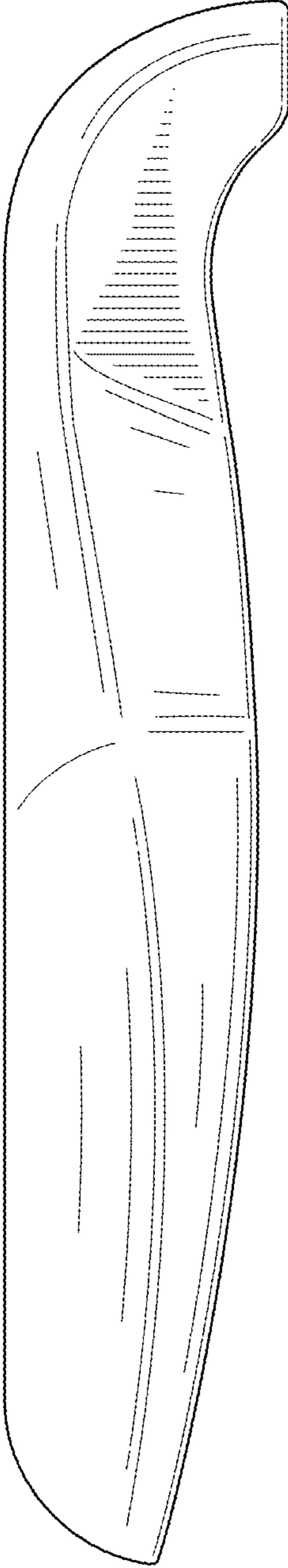


FIG. 5

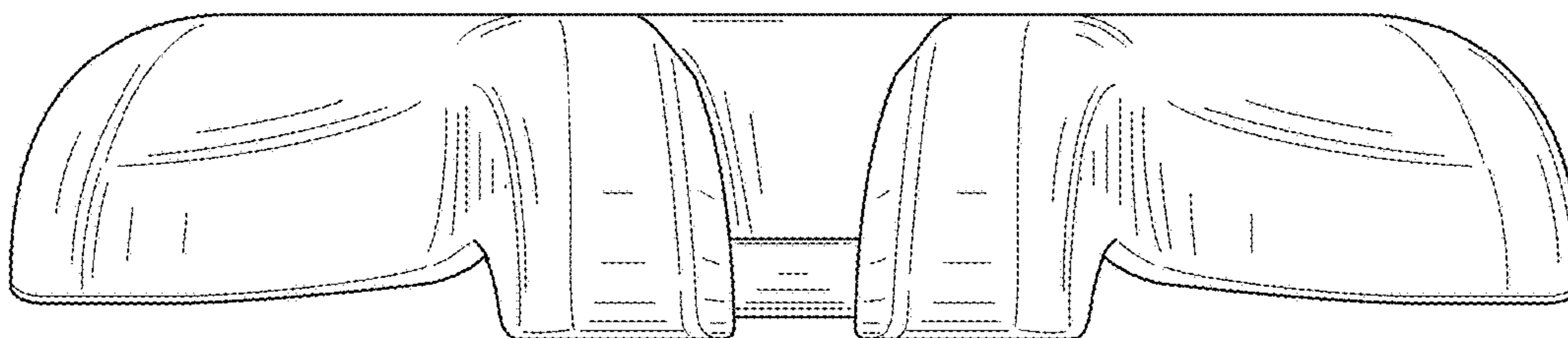


FIG. 6

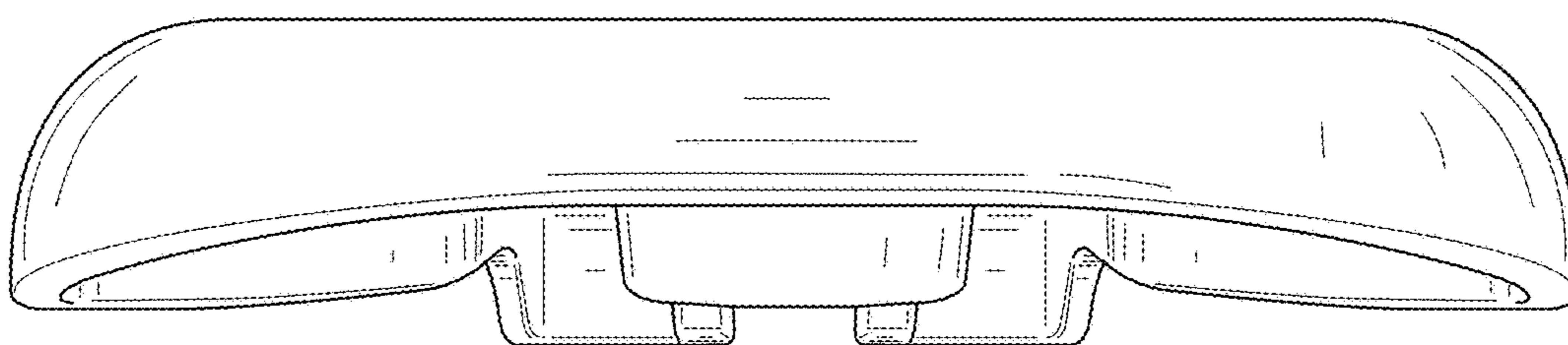


FIG. 7

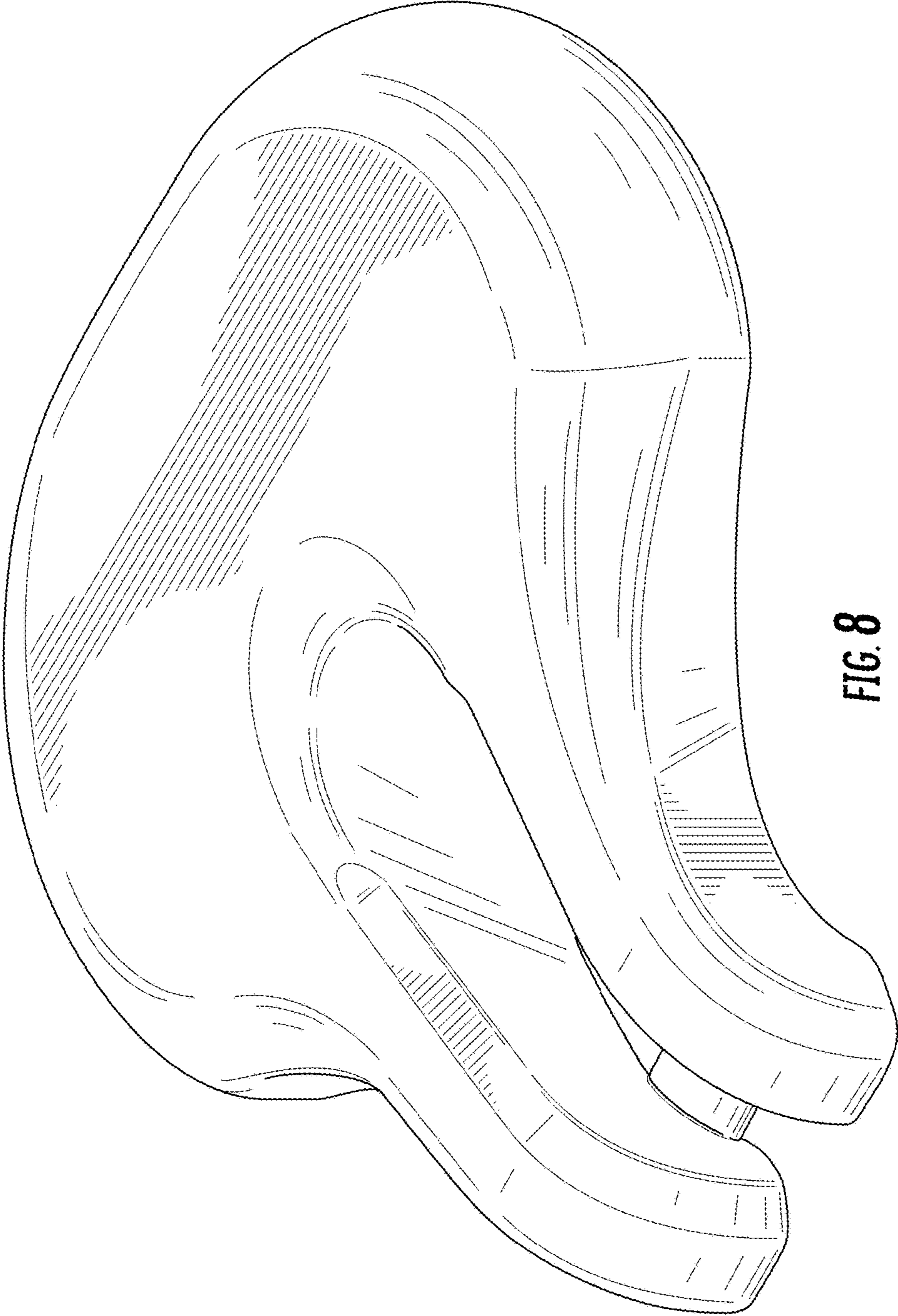


FIG. 8

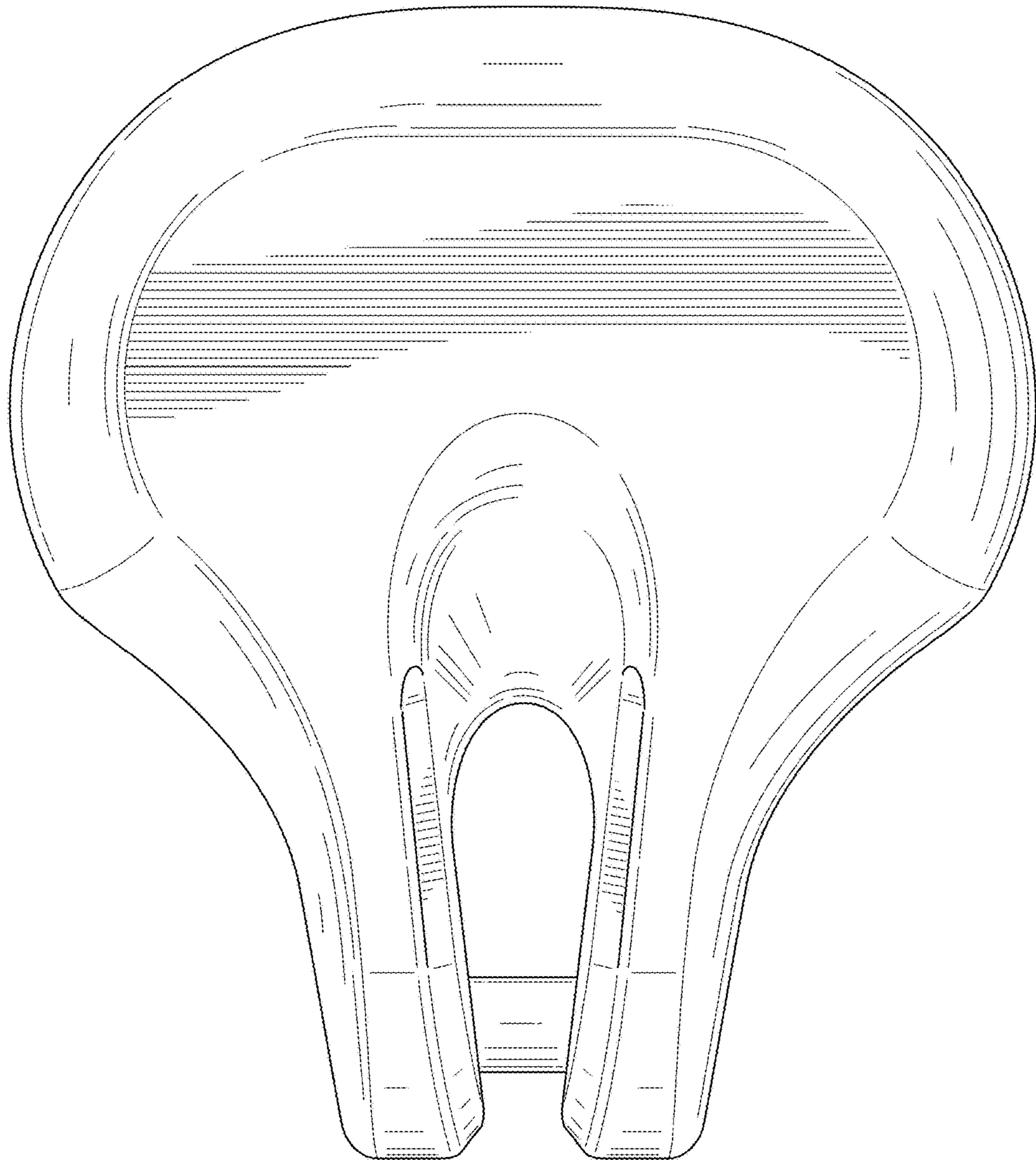


FIG. 9

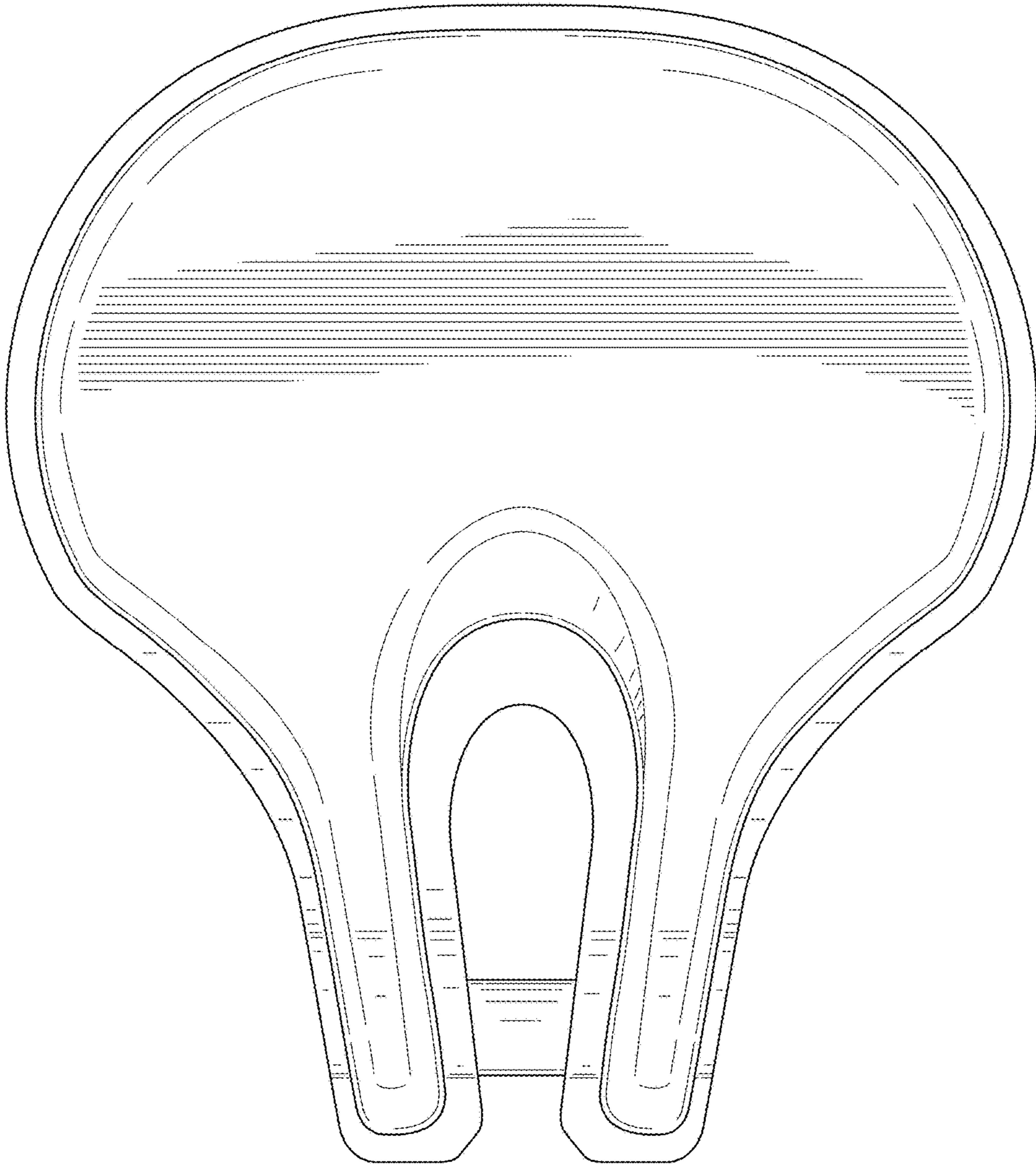


FIG. 10

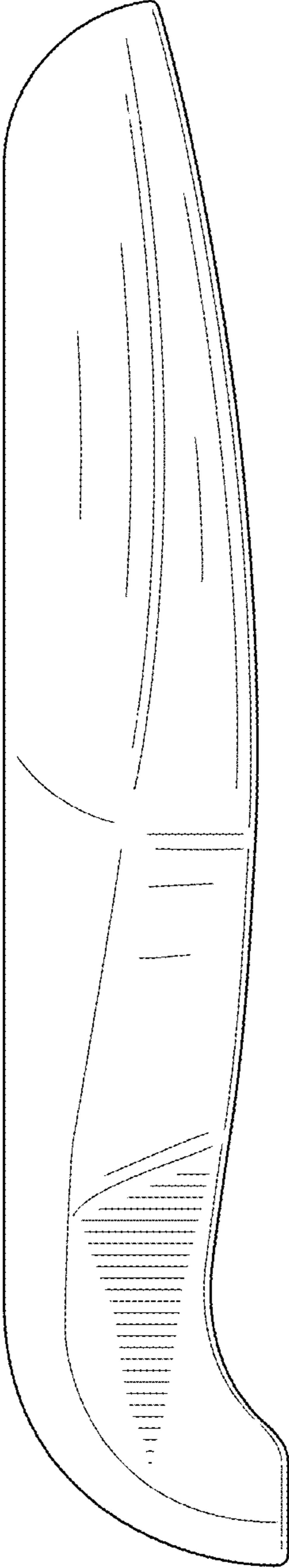


FIG. 11

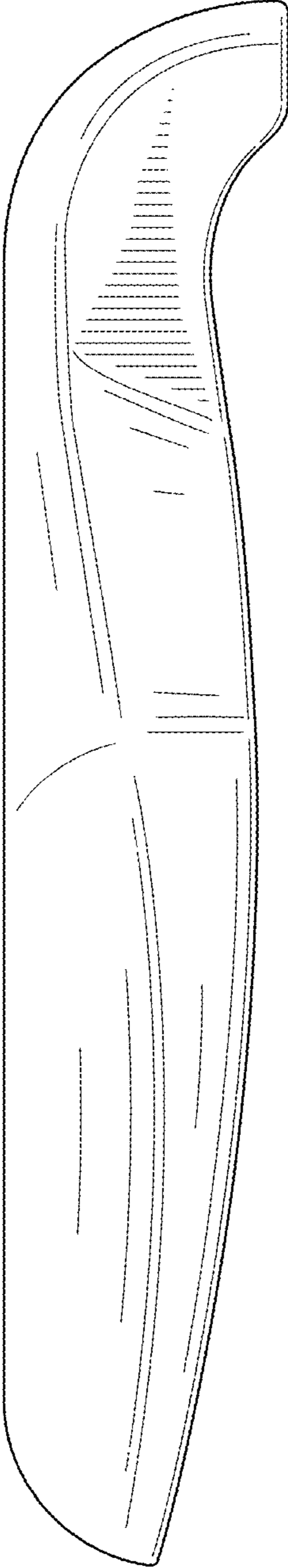


FIG. 12

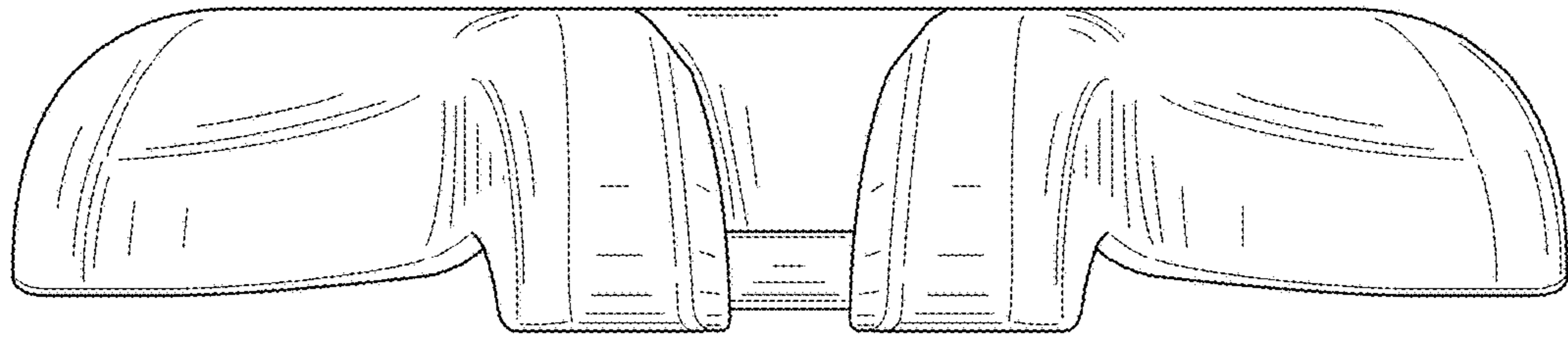


FIG. 13

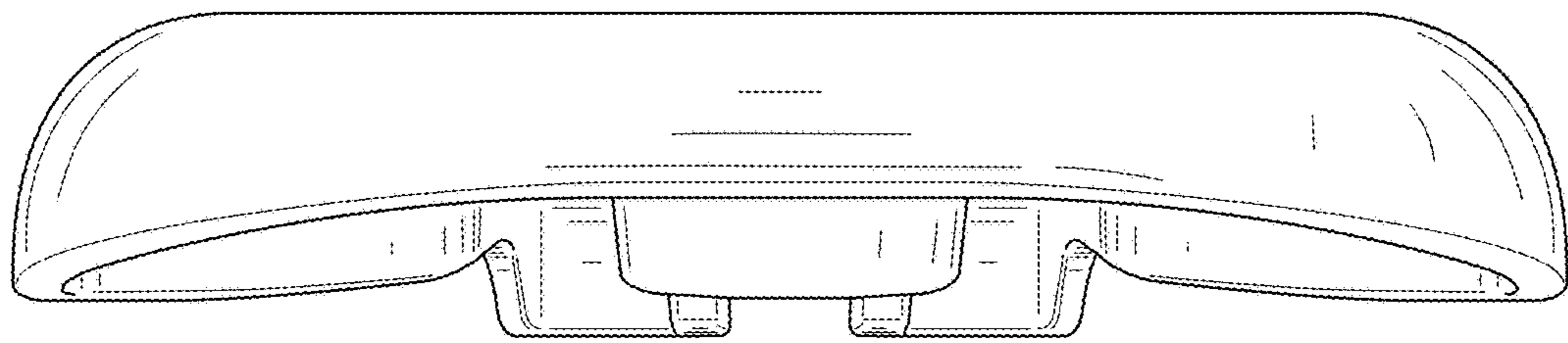


FIG. 14