



US00D774790S

(12) **United States Design Patent** (10) **Patent No.:** **US D774,790 S**  
**Toll** (45) **Date of Patent:** **\*\* Dec. 27, 2016**

(54) **BICYCLE SEAT**

- (71) Applicant: **TAMPA BAY RECREATION, LLC**, Lutz, FL (US)
- (72) Inventor: **Steven G. Toll**, Tampa, FL (US)
- (73) Assignee: **ISM Saddles, LLC**, Lutz, FL (US)
- (\*\*) Term: **15 Years**
- (21) Appl. No.: **29/539,809**
- (22) Filed: **Sep. 17, 2015**

**Related U.S. Application Data**

- (60) Division of application No. 29/499,870, filed on Aug. 19, 2014, which is a continuation-in-part of (Continued)
- (51) **LOC (10) Cl.** ..... **06-01**
- (52) **U.S. Cl.**  
USPC ..... **D6/354**
- (58) **Field of Classification Search**  
USPC ..... D6/340, 354; D12/110, 111; 296/65.13, 296/68.1, 132; 297/195.1, 196–215, 297/215.1–216.16, 452.1, 452.11–452.19, 297/452.21, 452.4, 452.55–452.59, 297/452.63–452.65  
(Continued)

(56) **References Cited**

**U.S. PATENT DOCUMENTS**

642,191 A 1/1890 Wright  
464,653 A 12/1891 Latta  
(Continued)

**FOREIGN PATENT DOCUMENTS**

JP 2007-186075 7/2007  
JP 2008-509047 3/2008  
(Continued)

**OTHER PUBLICATIONS**

“Noseless Saddles—My Two Cents Worth.” The Bike Noob., Jun. 30, 2011 [online], [retrieved on Jul. 8, 2016]. Retrieved from the Internet <URL: <http://bikenooob.com/2011/06/30/noseless-saddles-my-two-cents-worth/>>.\*

(Continued)

*Primary Examiner* — Darlington Ly

(74) *Attorney, Agent, or Firm* — Akerman LLP; Peter A. Chiabotti

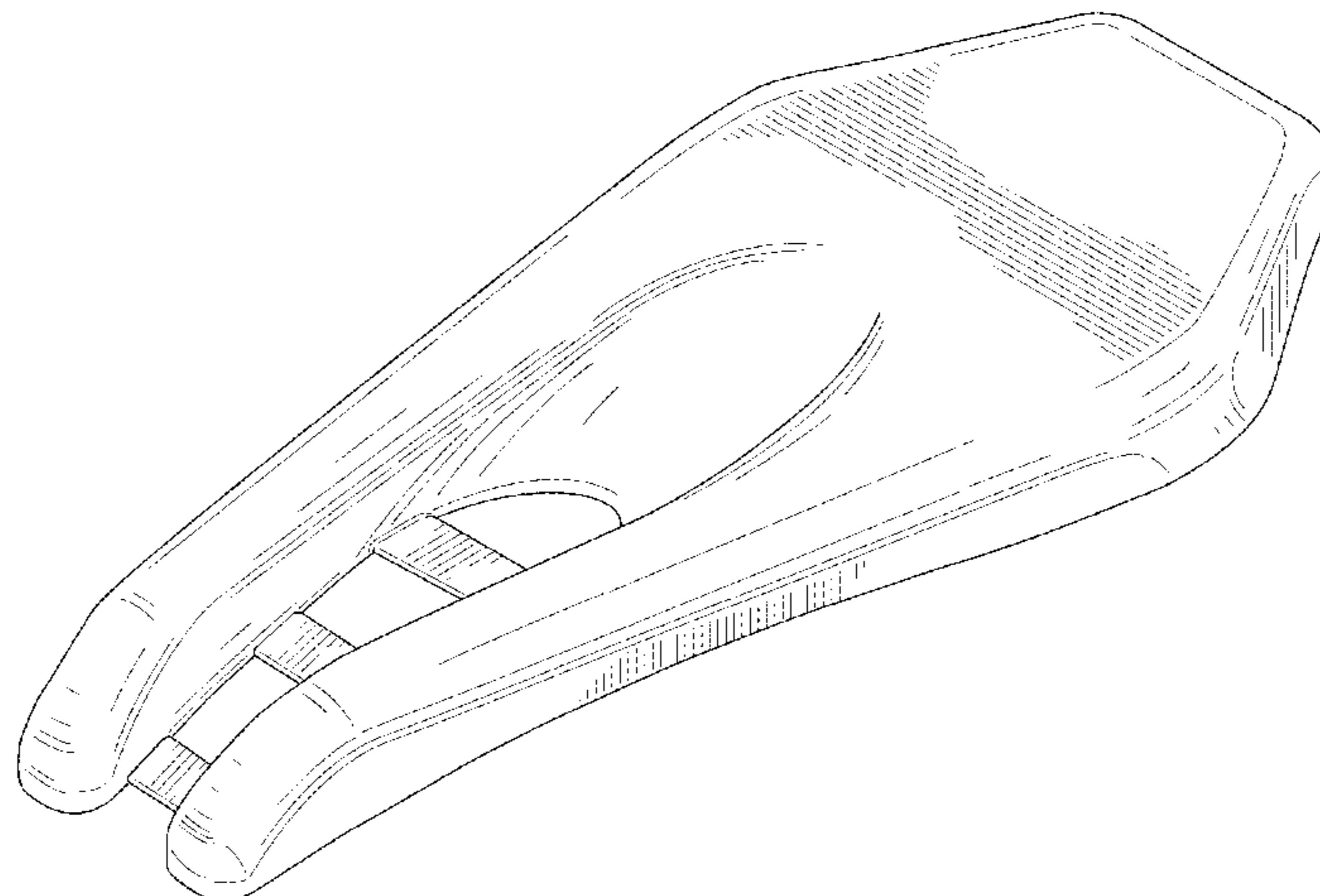
(57) **CLAIM**

The ornamental design for a bicycle seat, as shown and described.

**DESCRIPTION**

FIG. 1 is a perspective view of the ornamental design;  
FIG. 2 is a top plan view of the ornamental design of FIG. 1;  
FIG. 3 is a bottom plan view of the ornamental design of FIG. 1;  
FIG. 4 is a left side elevation view of the ornamental design of FIG. 1;  
FIG. 5 is a right side elevation view of the ornamental design of FIG. 1;  
FIG. 6 is a front view of the ornamental design of FIG. 1;  
FIG. 7 is a rear view of the ornamental design of FIG. 1;  
FIG. 8 is a perspective view of an alternative embodiment of the ornamental design of FIG. 1;  
FIG. 9 is a top plan view of the ornamental design of FIG. 8;  
FIG. 10 is a bottom plan view of the ornamental design of FIG. 8;  
FIG. 11 is a left side elevation view of the ornamental design of FIG. 8;  
FIG. 12 is a right side elevation view of the ornamental design of FIG. 8;  
FIG. 13 is a front view of the ornamental design of FIG. 8; and,  
FIG. 14 is a rear view of the ornamental design of FIG. 8.

**1 Claim, 10 Drawing Sheets**



**Related U.S. Application Data**

application No. 29/484,039, filed on Mar. 5, 2014, now Pat. No. Des. 724,329.

- (58) **Field of Classification Search**  
 CPC ..... B62J 1/002; B62J 1/005; B62J 1/007; B62J 1/26  
 See application file for complete search history.

(56) **References Cited**

U.S. PATENT DOCUMENTS

532,444	A	1/1895	Christy	
537,375	A	4/1895	Wright et al.	
568,626	A	9/1896	Pierce et al.	
570,497	A	11/1896	Pattison	
572,062	A	11/1896	Peck	
602,732	A	4/1898	Craig	
605,151	A	6/1898	Twist	
608,682	A	8/1898	Jamieson	
612,552	A	10/1898	Standeford	
612,972	A	10/1898	Leech	
D29,719	S	11/1898	Leech et al.	
619,204	A	2/1899	Moore	
622,357	A	4/1899	Hitchcock et al.	
623,238	A	4/1899	Davis	
629,956	A	8/1899	Craig	
635,598	A	10/1899	Rowe	
654,720	A	7/1900	Engelbert	
701,390	A	6/1902	Provoost	
872,124	A	11/1907	Hammaren	
1,462,976	A	9/1922	Mesinger	
1,538,542	A	2/1924	Blake	
1,858,477	A	5/1932	Blake	
3,844,611	A	10/1974	Young	
4,429,915	A	2/1984	Flager	
4,898,422	A	2/1990	West	
4,999,068	A	3/1991	Chiarella	
5,011,222	A	4/1991	Yates et al.	
5,108,076	A	4/1992	Chiarella	
5,167,435	A	12/1992	Aldi	
5,676,420	A	10/1997	Kuipers et al.	
5,765,912	A	6/1998	Bontrager	
5,863,094	A	1/1999	Endo	
5,873,626	A	2/1999	Katz	
D407,910	S	4/1999	Terry	
D408,159	S	4/1999	Clutton	
D409,009	S	5/1999	Toll et al.	
D416,394	S	11/1999	Minkow et al.	
D417,560	S *	12/1999	Tollefson ..... D6/354	
6,019,423	A	2/2000	Dodge et al.	
6,039,395	A	3/2000	Culbertson	
D429,905	S	8/2000	White	
6,113,184	A	9/2000	Barnes	
6,139,098	A	10/2000	Carrillo	
6,193,309	B1	2/2001	Gooter et al.	
6,224,151	B1	5/2001	McMullen	
6,244,655	B1	6/2001	Minkow et al.	
6,290,291	B1	9/2001	Kojima	
D454,258	S *	3/2002	Yates ..... D6/354	
6,422,647	B1	7/2002	Turudich	
6,450,572	B1	9/2002	Kuipers	
6,652,025	B2	11/2003	Sylvester	
6,669,283	B2	12/2003	Yu	
6,761,400	B2	7/2004	Hobson	
6,783,176	B2	8/2004	Ladson, III	
6,880,885	B2	4/2005	Lan	
6,957,857	B1	10/2005	Lee	
7,025,417	B2	4/2006	Cohen	
7,077,469	B2	7/2006	Farré	
7,104,600	B2	9/2006	Scholz	
7,121,622	B1	10/2006	Mendez	
7,374,517	B2	5/2008	Lockett	
D575,070	S	8/2008	Toll	
7,441,836	B2 *	10/2008	Chen ..... B62J 1/08 297/195.1	
7,478,871	B2	1/2009	Pandozy	

7,537,281	B2	5/2009	Riondato	
D604,056	S *	11/2009	Toll ..... D6/354	
D604,057	S *	11/2009	Toll ..... D6/354	
7,699,391	B2	4/2010	Riondato	
D622,973	S *	9/2010	Toll ..... D6/354	
7,934,770	B2	5/2011	Toll	
D639,081	S *	6/2011	Toll ..... D6/354	
7,976,102	B2	7/2011	Chang	
D642,846	S	8/2011	Parish et al.	
D677,479	S	3/2013	Toll	
D684,780	S	6/2013	Toll	
D684,781	S *	6/2013	Toll ..... D6/354	
8,480,169	B2	7/2013	Bailie et al.	
D688,051	S *	8/2013	Toll ..... D6/354	
D688,052	S *	8/2013	Toll ..... D6/354	
D688,477	S	8/2013	Toll	
D688,478	S *	8/2013	Toll ..... D6/354	
D688,479	S	8/2013	Toll	
D720,939	S	1/2015	Toll	
D722,446	S	2/2015	Toll	
D724,330	S	3/2015	Toll	
2002/0117880	A1	8/2002	Ladson	
2003/0034678	A1	2/2003	Farré	
2003/0038515	A1	2/2003	Martin et al.	
2003/0067195	A1	4/2003	Sylvester	
2003/0071498	A1	4/2003	Yu	
2005/0006932	A1	1/2005	Laidlaw	
2007/0069557	A1 *	3/2007	Toll ..... B62J 1/007 297/202	
2007/0102970	A1	5/2007	Wallace	
2007/0200399	A1	8/2007	Riondato	
2008/0265636	A1	10/2008	Toll	
2009/0079237	A1	3/2009	Riondato	
2010/0109392	A1	5/2010	Toll	
2011/0298253	A1 *	12/2011	Toll ..... B62J 1/007 297/214	
2012/0086246	A1	4/2012	Belliveau	
2015/0239515	A1	8/2015	Toll	

FOREIGN PATENT DOCUMENTS

JP	2011-143734	7/2011
JP	2012-162255	8/2012
WO	99/14103	3/1999
WO	2006015731	2/2006
WO	2007/038692	4/2007
WO	2014/035972	2/2011
WO	20131134253	9/2013

OTHER PUBLICATIONS

“Saddles Part 3—ISM ADAMO.” Bike Test Reviews. Apr. 5, 2013 [online], [retrieved on Jul. 8, 2016]. Retrieved from the Internet <URL: <http://biketestreviews.com/saddles-part-3-ism-adamo/>>.\*

Leibovitch et al., “The Vicious Cycling: Bicycling Related Urogenital Disorders”, *European Urology* 47, pp. 277-287 (2005).

Randrup et al., “Bicycle Riding as a Cause for Erectile Dysfunction”, [www.medicalsexuality.org](http://www.medicalsexuality.org), pp. 26-27, (Nov. 2000).

Jeong et al., “Bicycle Saddle Shape affects penile blood flow”, *International Journal of Impotence Research*, 14, 513-517 (2002).

Spears et al., “The Effect of Saddle Design on Stresses in the Perineum during Cycling”, *Medical Science Sports Exercise*, vol. 35, No. 9, pp. 1620-1625 (2003).

Bressel et al., “Bicycle Seat Designs and Their Effect on Pelvic Angle, Trunk Angle, and Comfort”, *Medical Science Sports Exercise*, vol. 35, No. 2, pp. 327-332 (2003).

Breda et al., and Adara Caruso, M.D., “Development of New Geometric Bicycle Saddle for the Maintenance of Genital—Perineal Vascular Perfusion,” *Journal of Sexual Medicine*, vol. 2, Issue 5, pp. 605-611 (Sep. 2005).

Lowe et al., “Effect of Bicycle Saddle Designs on the Pressure to the Perineum of the Bicyclist”, *Medical Science Sports Exercise*, vol. 36, No. 6, pp. 1055-1062 (2004).

Bressel et al., “Bicycle Seat Interface Pressure: Reliability, Validity, and Influence of Hand Position and Workload”, *Journal of Biomechanics*, vol. 38, Issue 6, pp. 1325-1331 (Jun. 2005).



(56)

**References Cited**

## OTHER PUBLICATIONS

Bressel et al., "Influence of Bicycle Seat Pressure on compression of the perineum: a MRI Analysis," *Journal of Biomechanics* 40, pp. 198-202 (2007, Accepted Nov. 26, 2005).

U.S. Appl. No. 29/484,042 on Jul. 29, 2014 with the following characterization: "Podium Imports ISM Saddles." Podium Imports., Feb. 20, 2013 [online], [retrieved on Jul. 19, 2014]. Retrieved from the Internet <URL: <http://www.podiumimports.ca/shop-online/brand/ism-saddles/>>.

U.S. Appl. No. 29/484,042 on Jul. 29, 2014 with the following characterization: Alter, Lloyd. "No—Nose Bicycle Seats: Are They the Answer to Erectile Dysfunction and Prostate . . ." *Tree Hugger.*, Sep. 17, 2010 [online], [retrieved on Jul. 19, 2014]. Retrieved from the Internet <URL: <http://www.treehugger.com/bikes/no-nose-bicycle-seats-are-they-the-answer-to-erectile-dysfunction-and-prostate-problems-among-cyclists.html>>.

U.S. Appl. No. 29/484,039 on Jul. 29, 2014 with the following characterization: Demerly, Tom. "ISM Adamo Time Trial and Racing 2 Saddles: The Triathlon Saddle Evolved.." *Just Tri Talk.*, Feb. 27, 2013 [online], [retrieved on Jul. 19, 2014]. Retrieved from the Internet <URL: <http://justtritalk.com/ism-adamo-time-trial-and-racing-2-saddles-the-triathlonsaddle-evolved/>>.

U.S. Appl. No. 29/539,813 on Jul. 25, 2016 with the following characterization: "Noseless Bicycle Saddles—What You Need to Know." *Electro Heart Beats.*, Mar. 15, 2014 [online], [retrieved on Jul. 8, 2016]. Retrieved from the Internet <URL: <http://www.electroheartbeats.com/2014/03/noseless-bicycle-saddles-what-youneed.html>>.

\* cited by examiner

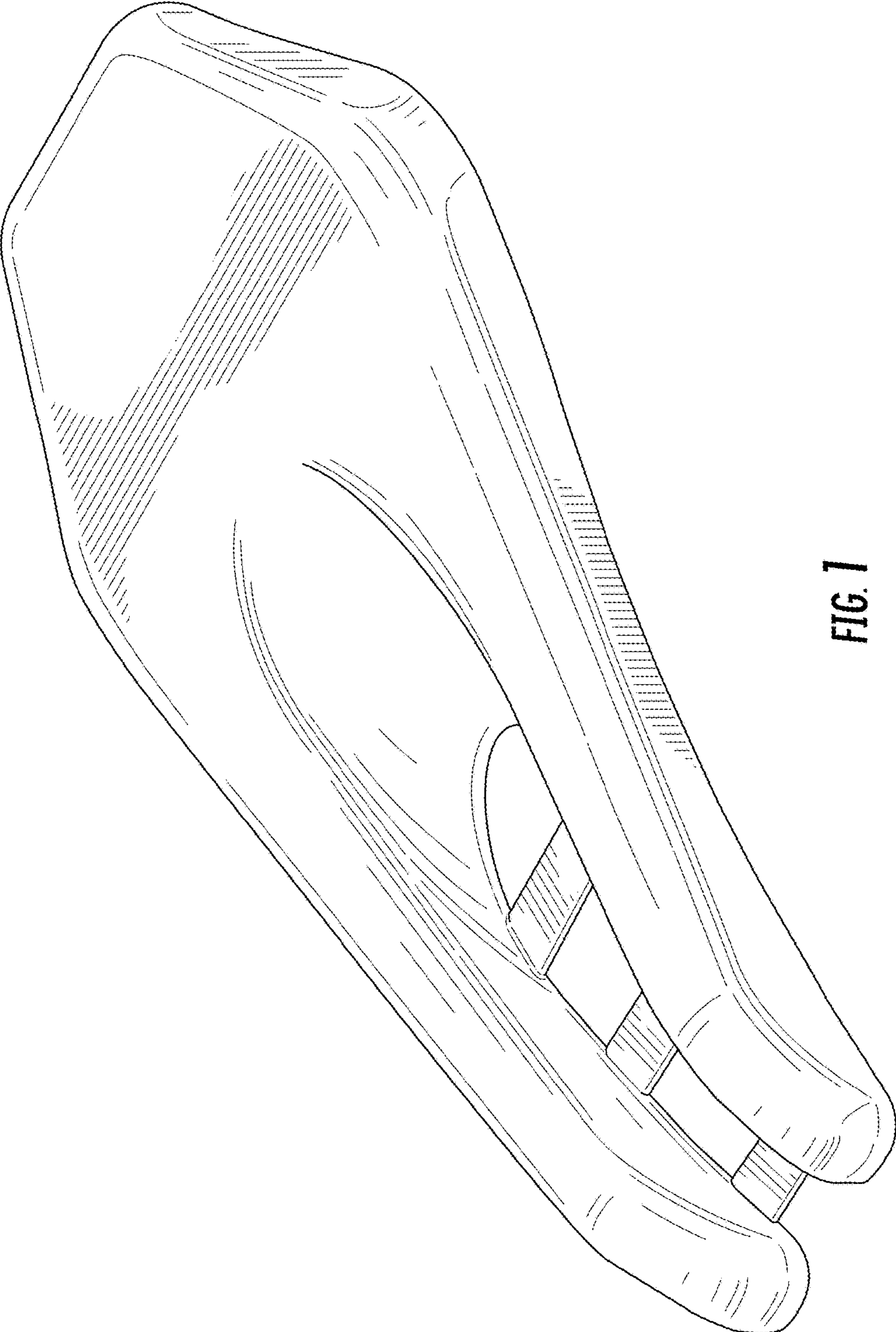


FIG. 7

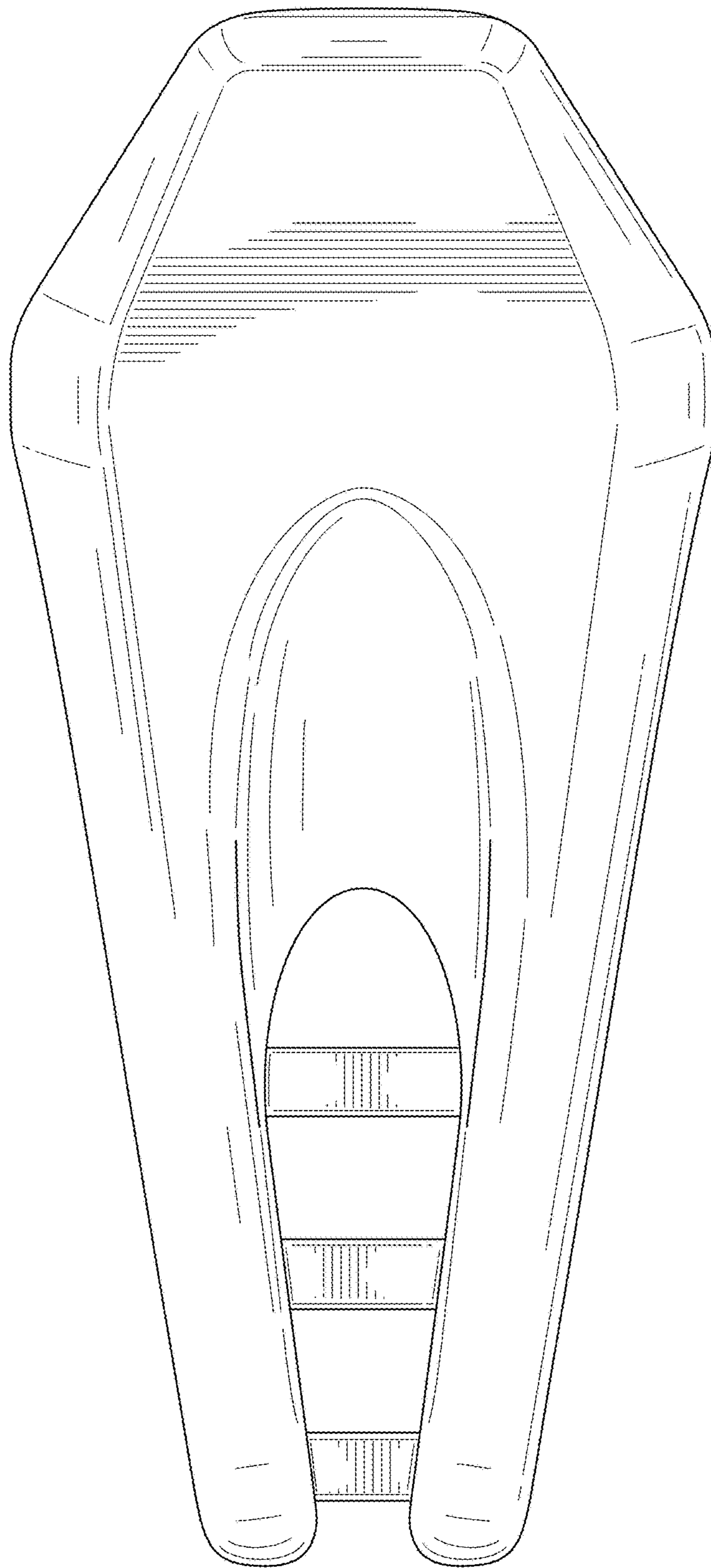


FIG. 2

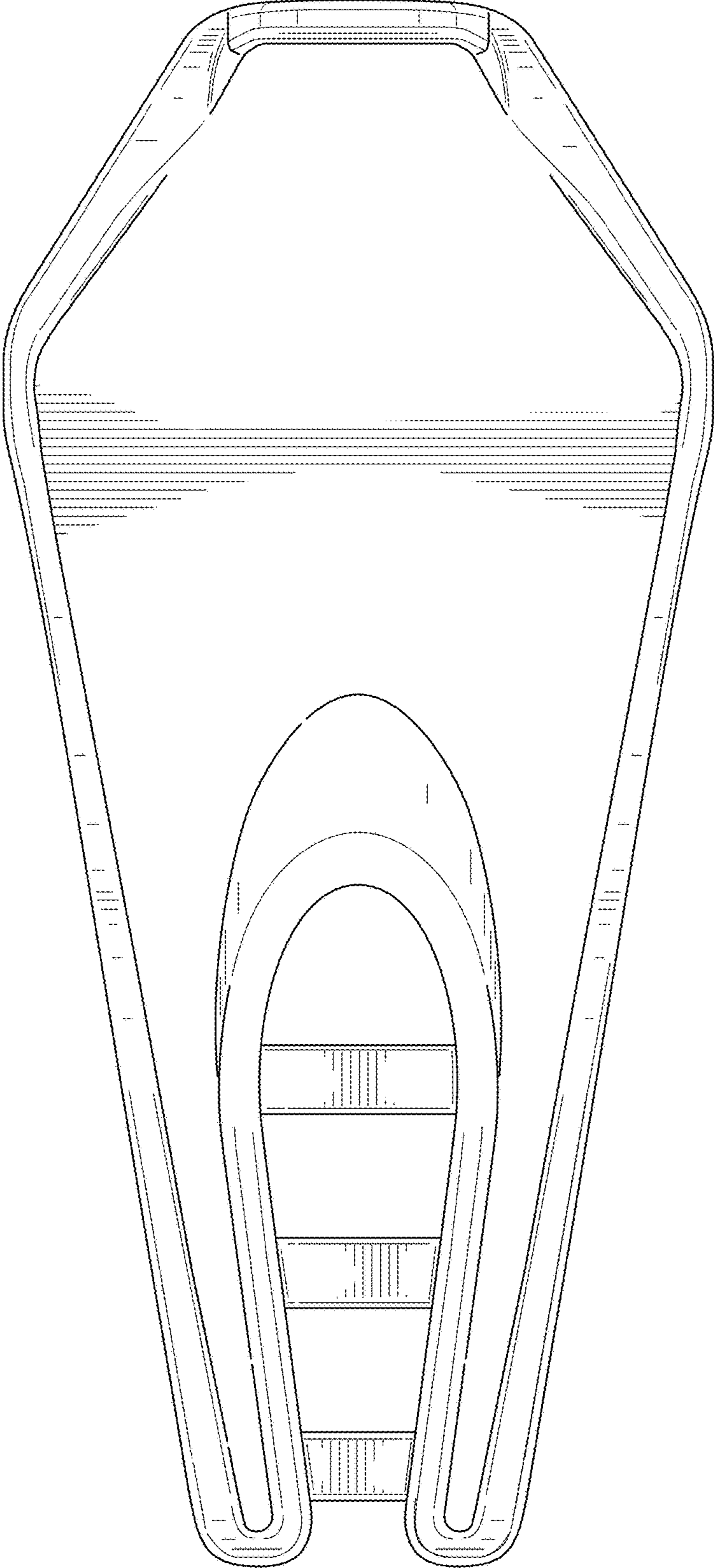


FIG. 3

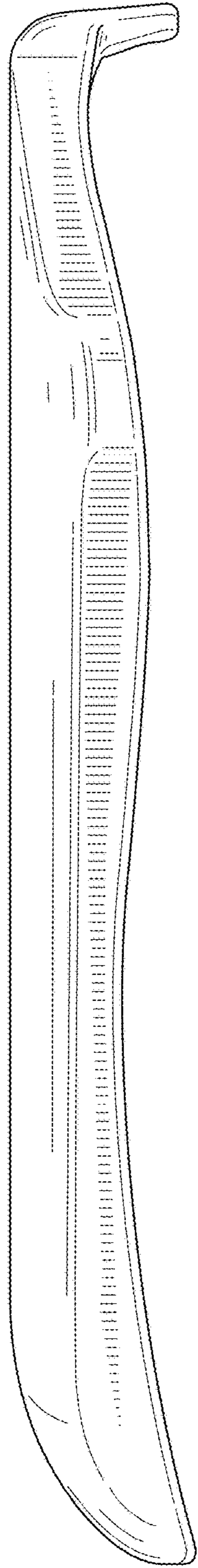


FIG. 4

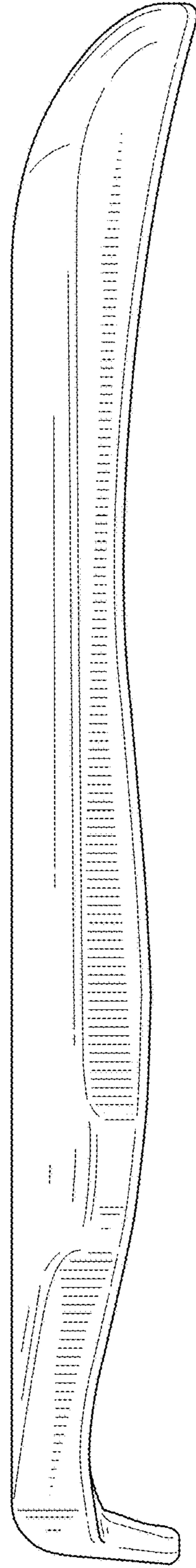
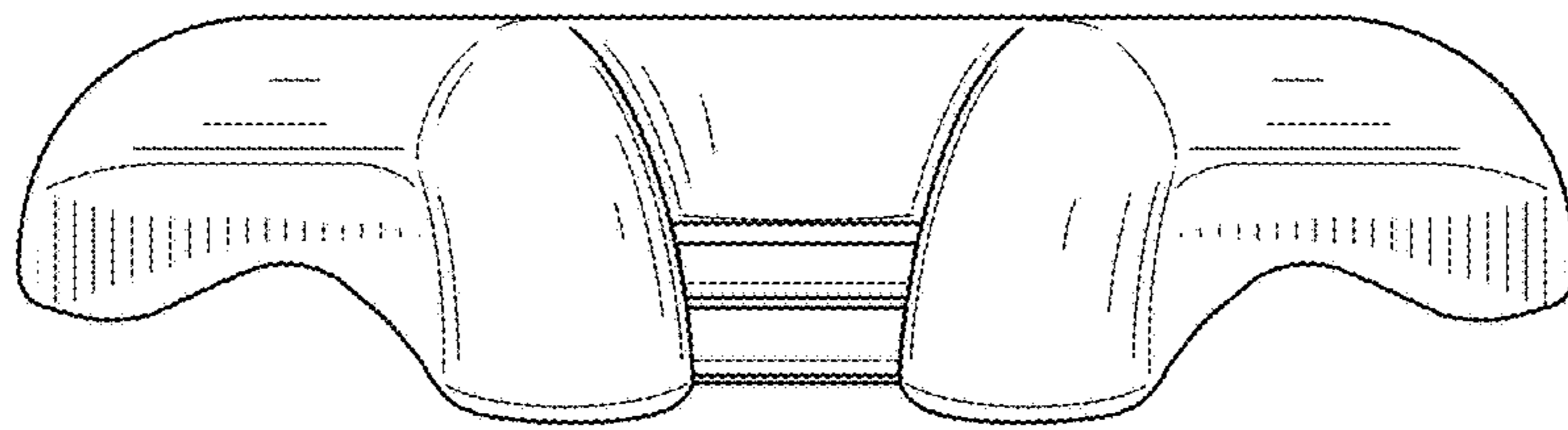
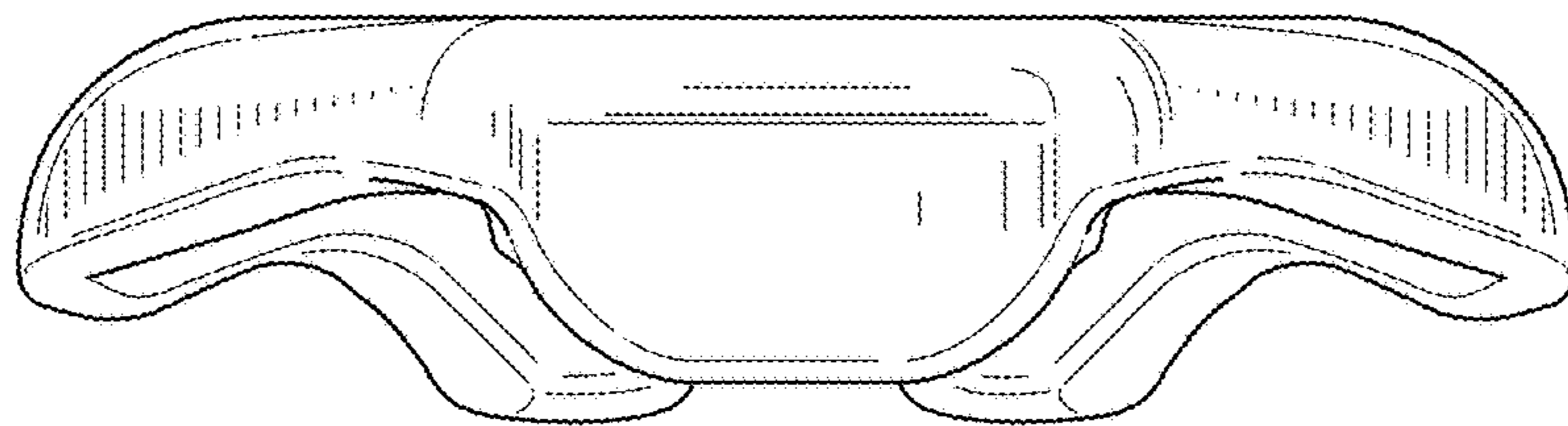


FIG. 5





**FIG. 6**



**FIG. 7**



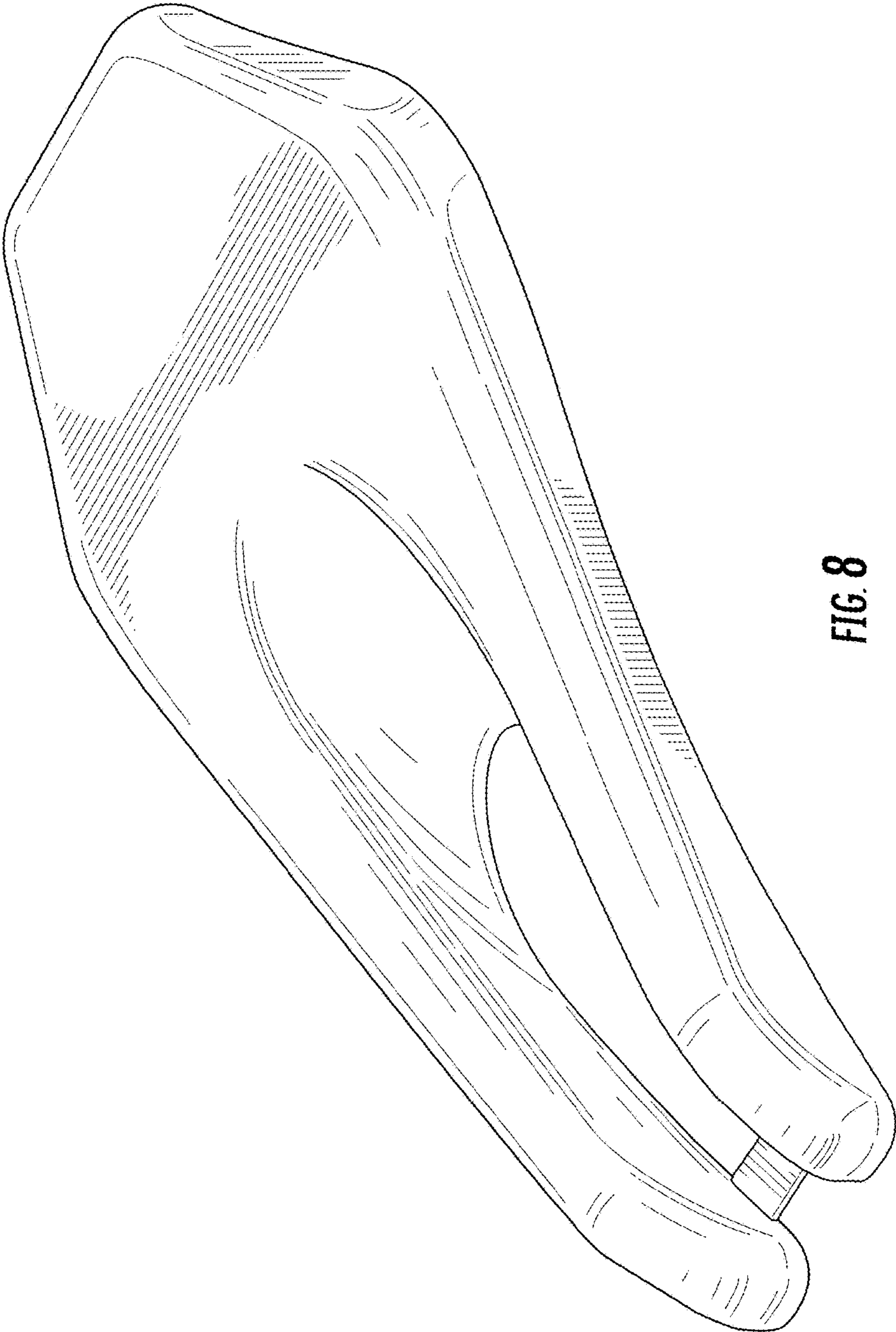


FIG. 8

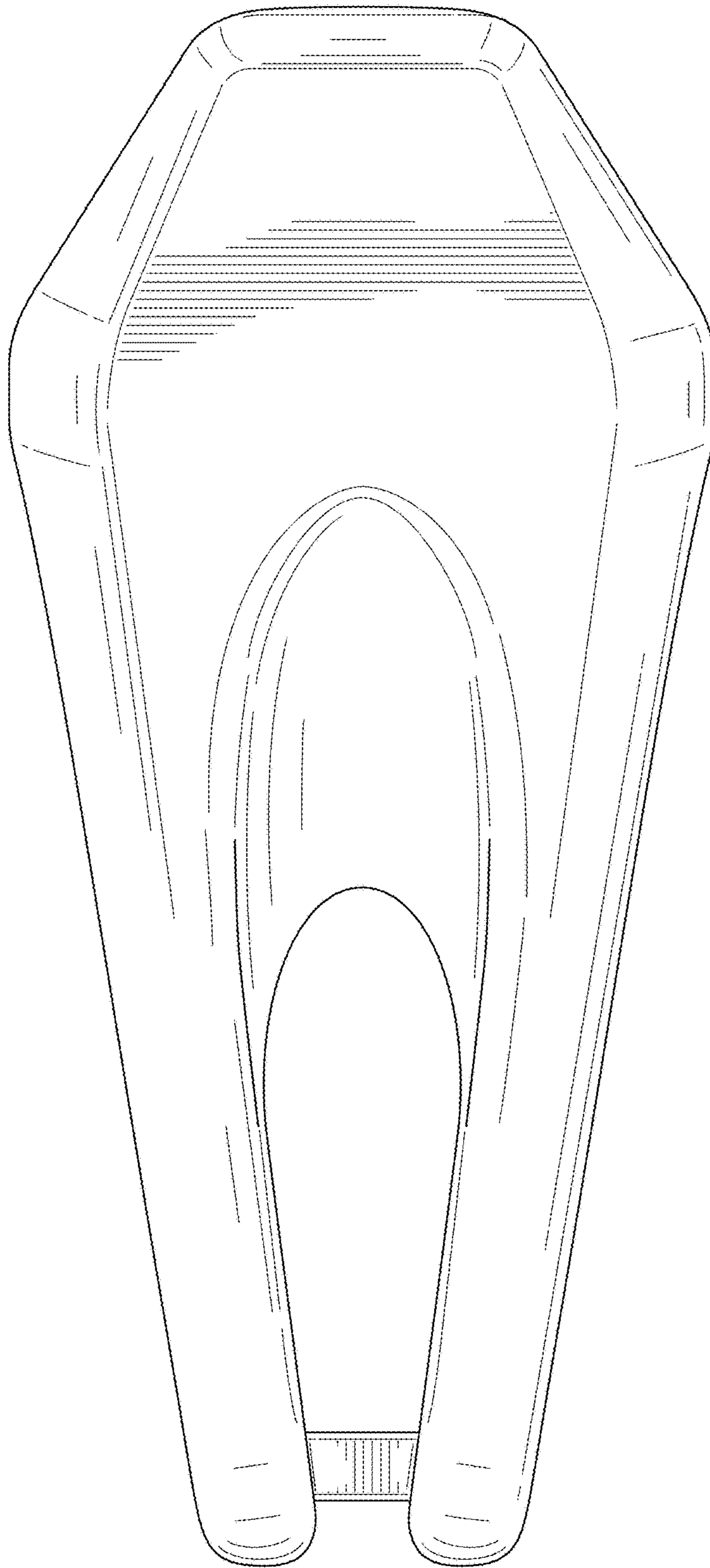
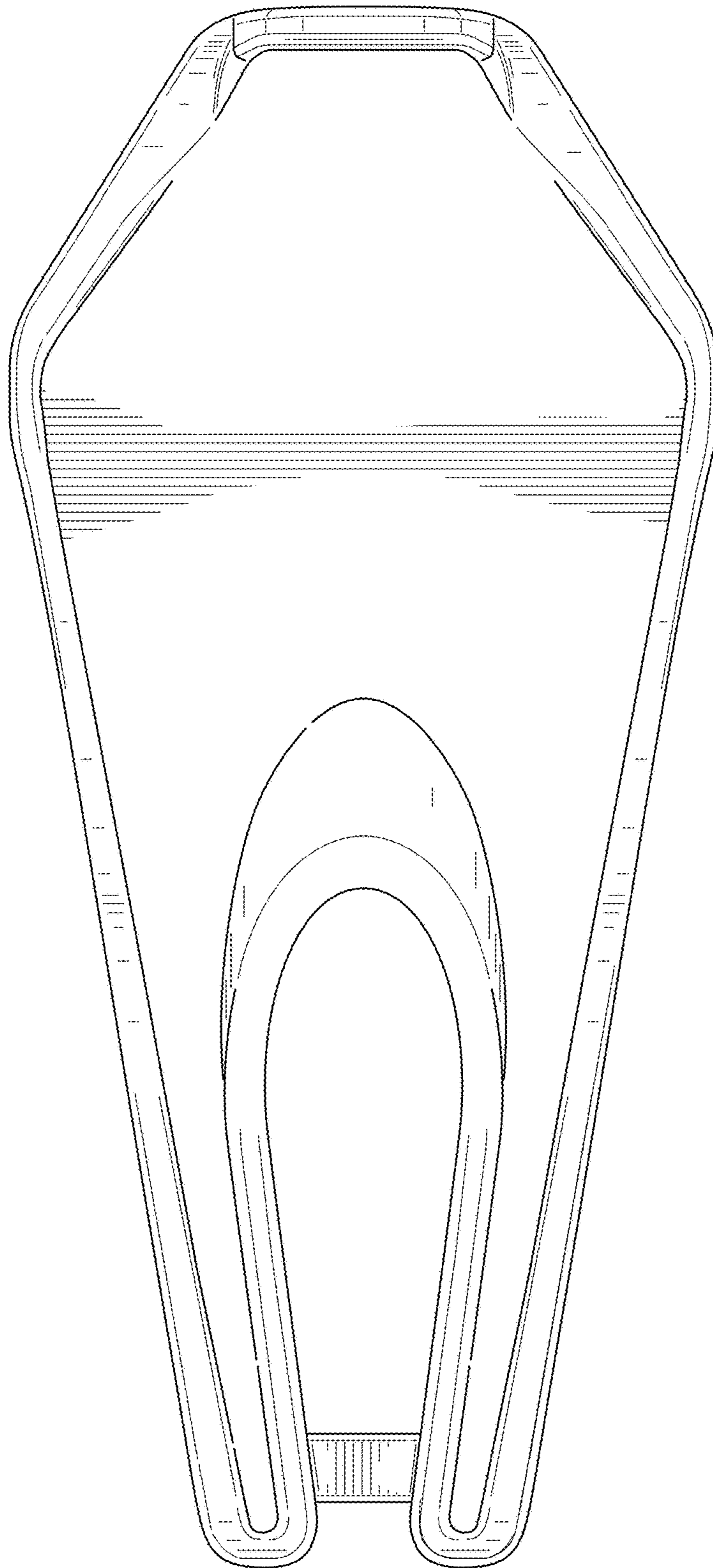
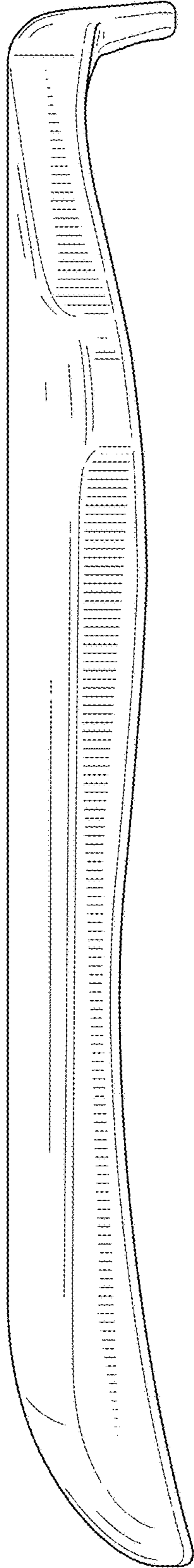


FIG. 9

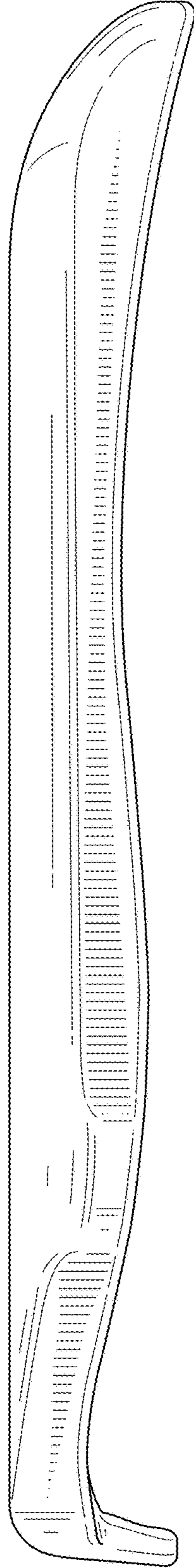


**FIG. 10**

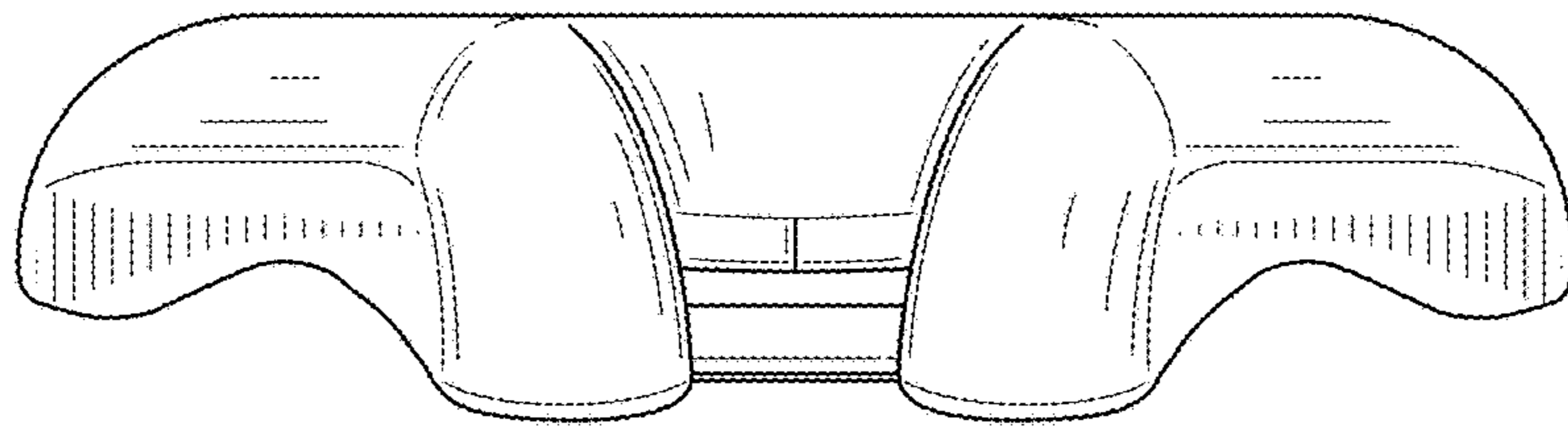




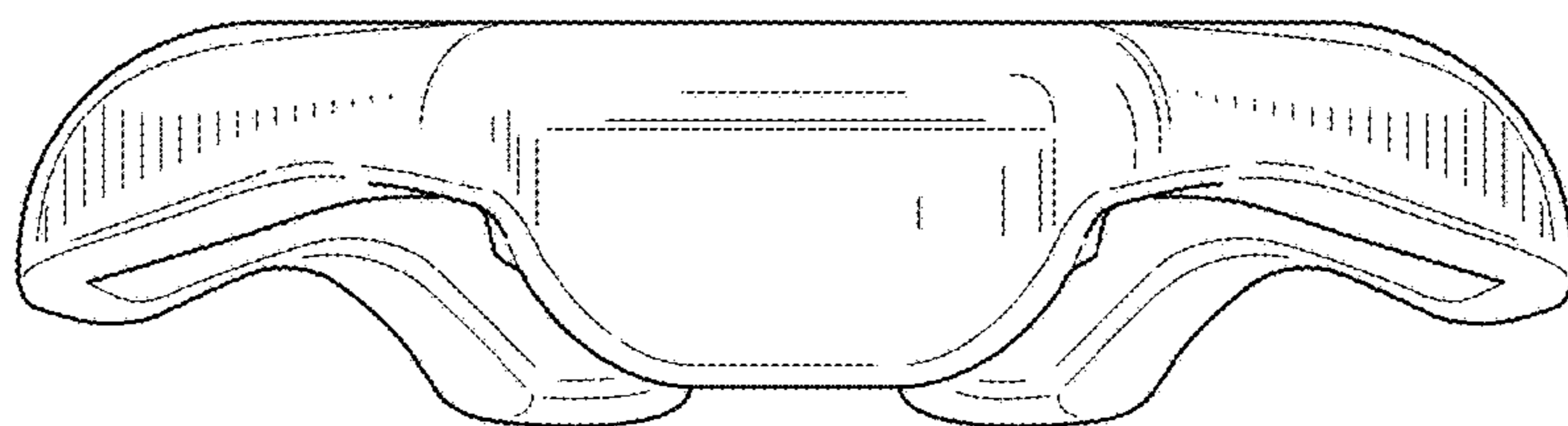
**FIG. 11**



**FIG. 12**



**FIG. 13**



**FIG. 14**