



US00D774789S

(12) **United States Design Patent** (10) **Patent No.:** **US D774,789 S**  
**Yamada et al.** (45) **Date of Patent:** **\*\* Dec. 27, 2016**

(54) **SEAT SUPPORT FOR MOTORCYCLES**

(71) Applicant: **Kawasaki Jukogyo Kabushiki Kaisha,**  
Hyogo (JP)

(72) Inventors: **Masashi Yamada,** Akashi (JP); **Takumi Uemoto,** Kobe (JP)

(73) Assignee: **KAWASAKI JUKOGYO**  
**KABUSHIKI KAISHA (JP)**

(\*\*) Term: **14 Years**

(21) Appl. No.: **29/474,841**

(22) Filed: **Feb. 25, 2015**

(30) **Foreign Application Priority Data**

Aug. 29, 2014 (JP) ..... 2014-019125

(51) **LOC (10) Cl.** ..... **06-01**

(52) **U.S. Cl.**  
USPC ..... **D6/354; D12/114; D12/119**

(58) **Field of Classification Search**  
USPC ..... D12/109, 110, 111, 114, 117, 126, 184,  
D12/186; D21/432, 458, 538;  
180/210-217, 219, 220, 225, 229, 908;  
280/103, 124, 152.1-152.3, 288.2, 288.4,  
280/304.3, 770, 827, 828, 847, 848;  
296/77.1, 78.1, 181.1, 187.01, 187.12,  
296/192, 193.01, 193.04, 193.05, 193.09;  
446/440; D6/351, 354  
CPC ..... B62D 37/00; B62D 57/00; B62K 9/00;  
B62K 11/04; B62K 17/00; B62K 19/48;  
B62M 7/12; F02B 61/02; A63H  
17/21; B62J 17/00; B62J 17/04; B62J  
29/00

See application file for complete search history.

(56) **References Cited**

**U.S. PATENT DOCUMENTS**

D245,133 S \* 7/1977 Kerley ..... D6/354  
D272,140 S \* 1/1984 Turkington ..... D12/119

D287,348 S \* 12/1986 Larson ..... D12/119  
D332,540 S \* 1/1993 Peterson ..... D12/114  
5,511,822 A \* 4/1996 Wolanski ..... B62J 25/00  
150/167  
5,634,685 A \* 6/1997 Herring ..... B62J 1/26  
297/217.3  
D399,351 S \* 10/1998 Cambra ..... D6/351  
D428,718 S \* 8/2000 Cambra ..... D6/351  
D517,332 S \* 3/2006 Manchester ..... D6/354  
D528,311 S \* 9/2006 Stahel ..... D6/354  
7,367,577 B1 \* 5/2008 Garrett ..... B62J 21/00  
280/288.4  
7,556,114 B2 \* 7/2009 Hanagan ..... B62J 1/12  
180/219  
D626,348 S \* 11/2010 Garrard ..... D6/354  
D628,127 S \* 11/2010 LeBlanc ..... D12/119  
9,016,780 B2 \* 4/2015 Kawatani ..... B62J 1/12  
297/214  
D735,617 S \* 8/2015 Katagiri ..... D12/110  
D737,179 S \* 8/2015 Futamata ..... D12/110  
D746,179 S \* 12/2015 Tsukui ..... D12/110  
9,284,004 B2 \* 3/2016 Inoue ..... B62J 1/12  
9,308,956 B2 \* 4/2016 Honma ..... B62J 1/00  
2008/0238164 A1 \* 10/2008 McMillen ..... B62J 1/12  
297/284.3  
2012/0242118 A1 \* 9/2012 Kawatani ..... B62J 1/12  
297/188.09

\* cited by examiner

*Primary Examiner* — Darlington Ly

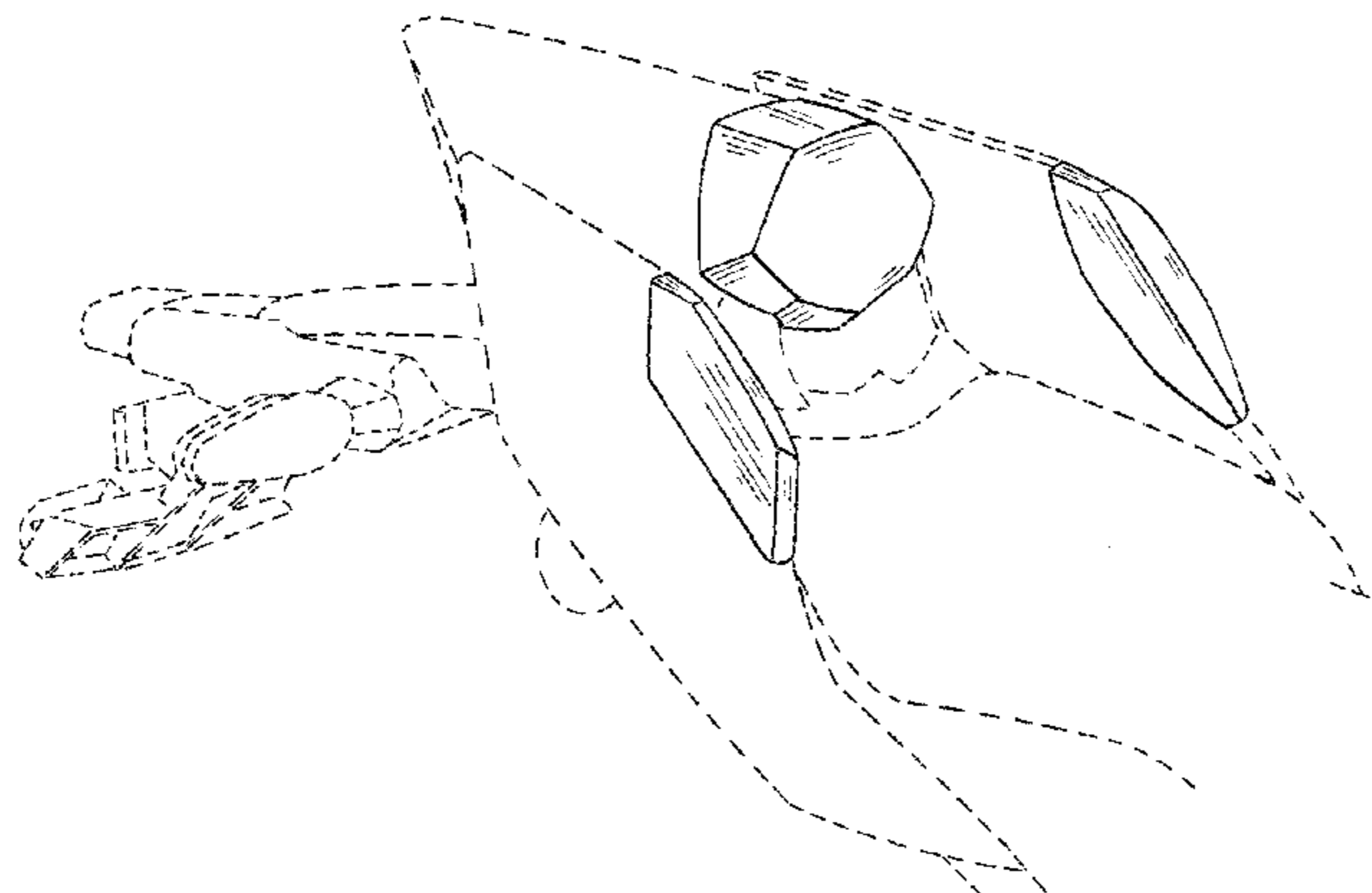
(57) **CLAIM**

The ornamental design for a seat support for motorcycles, as shown and described.

**DESCRIPTION**

FIG. 1 is a left side elevational view of a seat support for motorcycles showing our new design; FIG. 2 is a right side elevational view thereof; FIG. 3 is a top plan view thereof; FIG. 4 is a front left perspective view thereof; and, FIG. 5 is a rear right perspective view thereof. The broken lines illustrating portions of the motorcycle form no part of the claimed design.

**1 Claim, 5 Drawing Sheets**



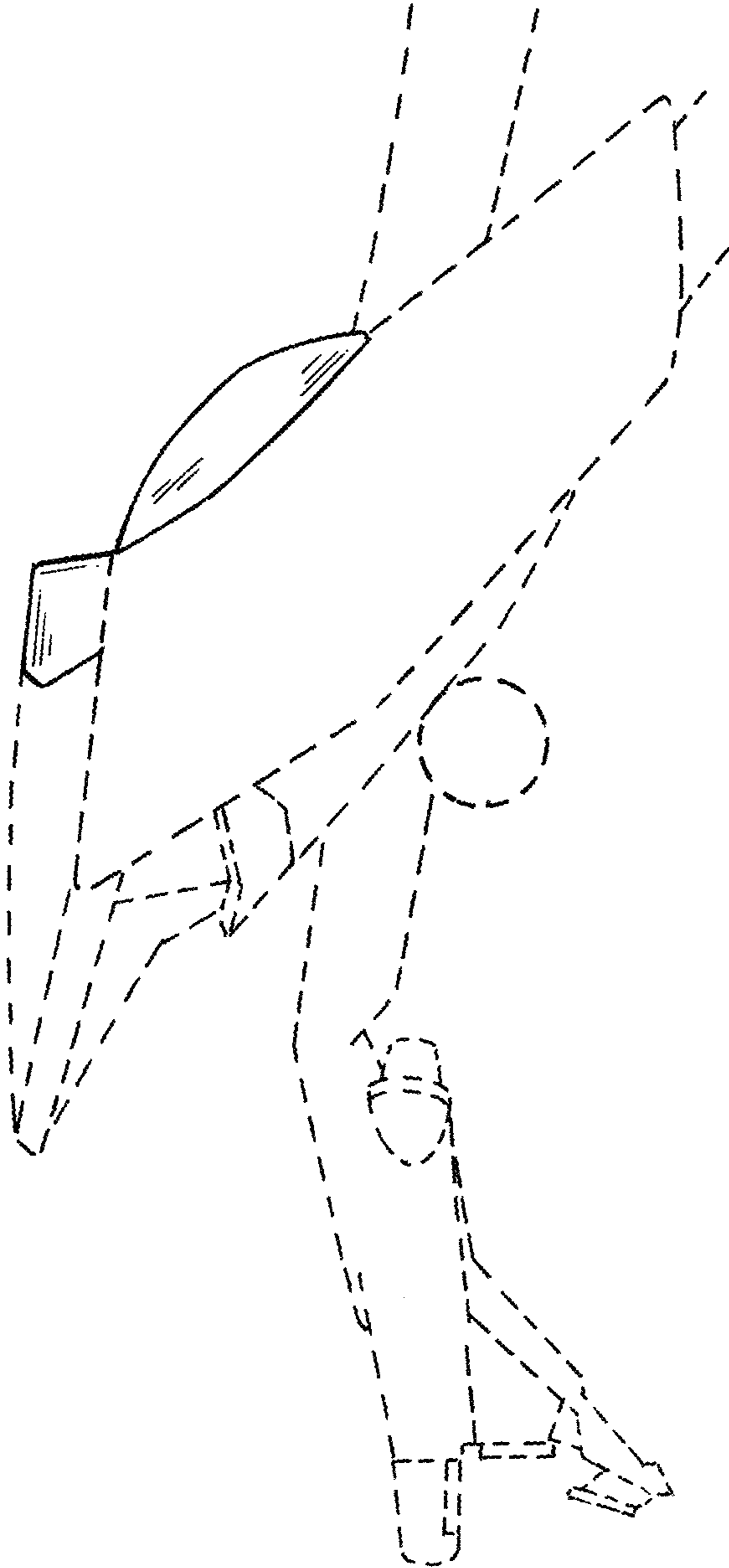


FIG. 1

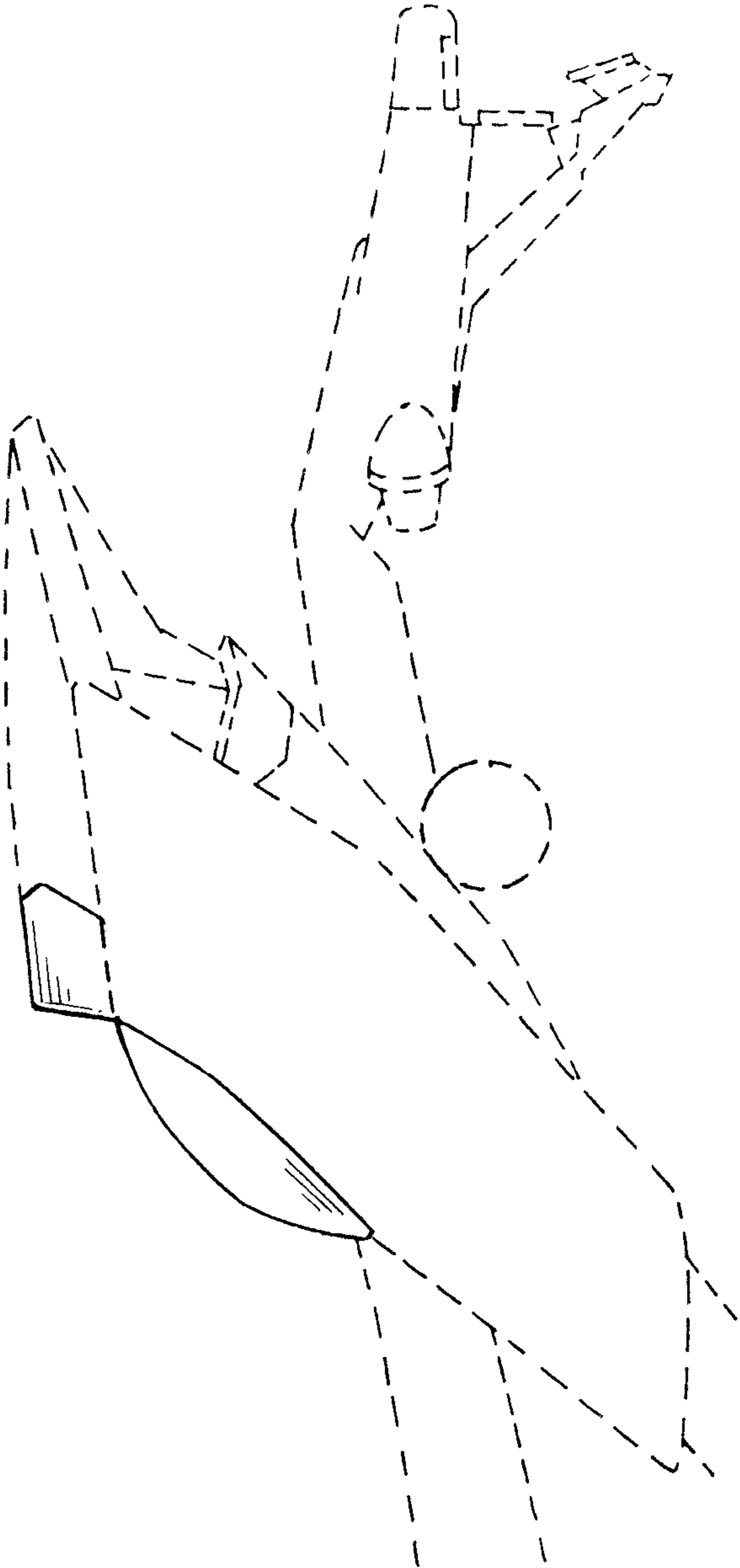


FIG. 2

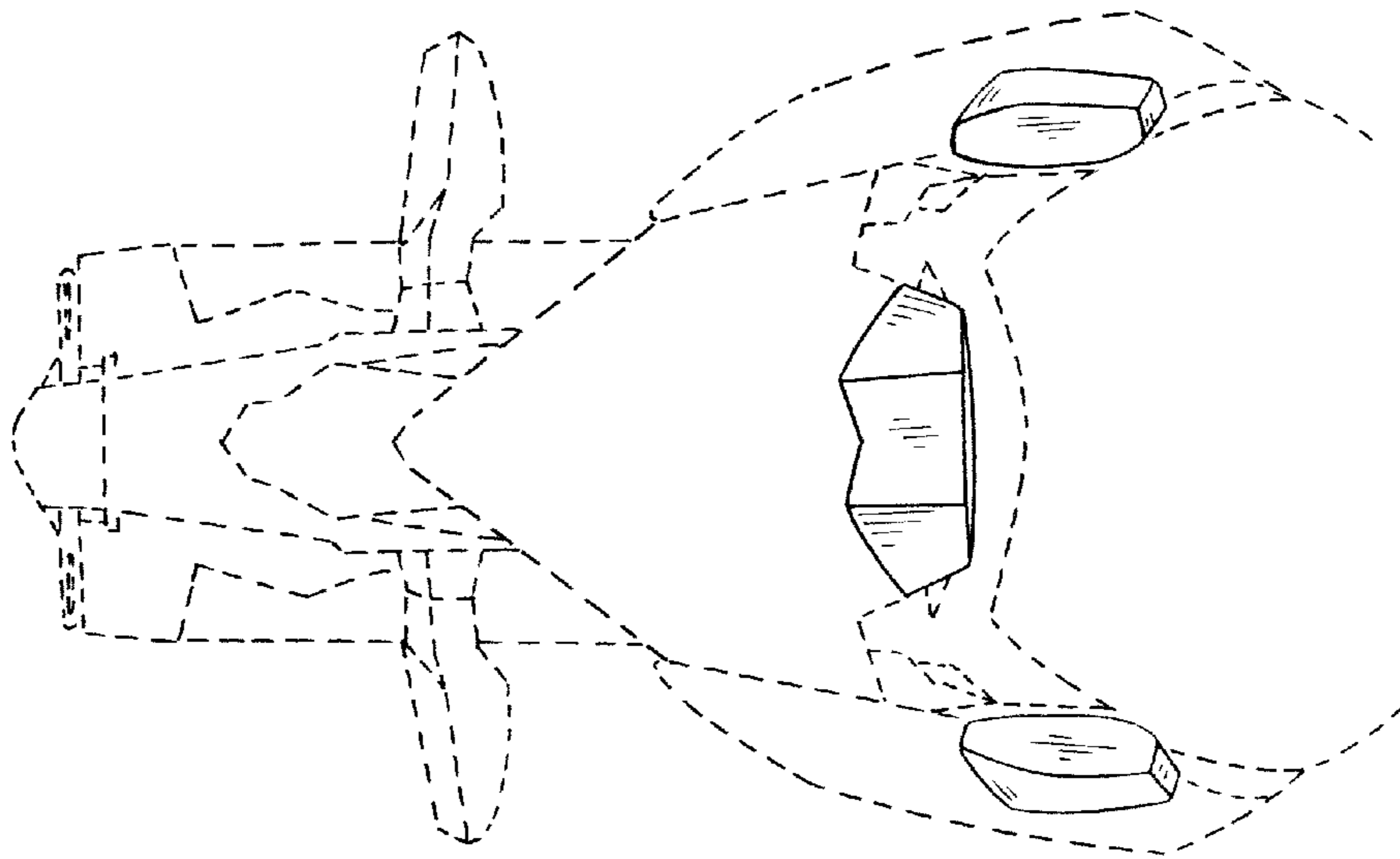


FIG. 3

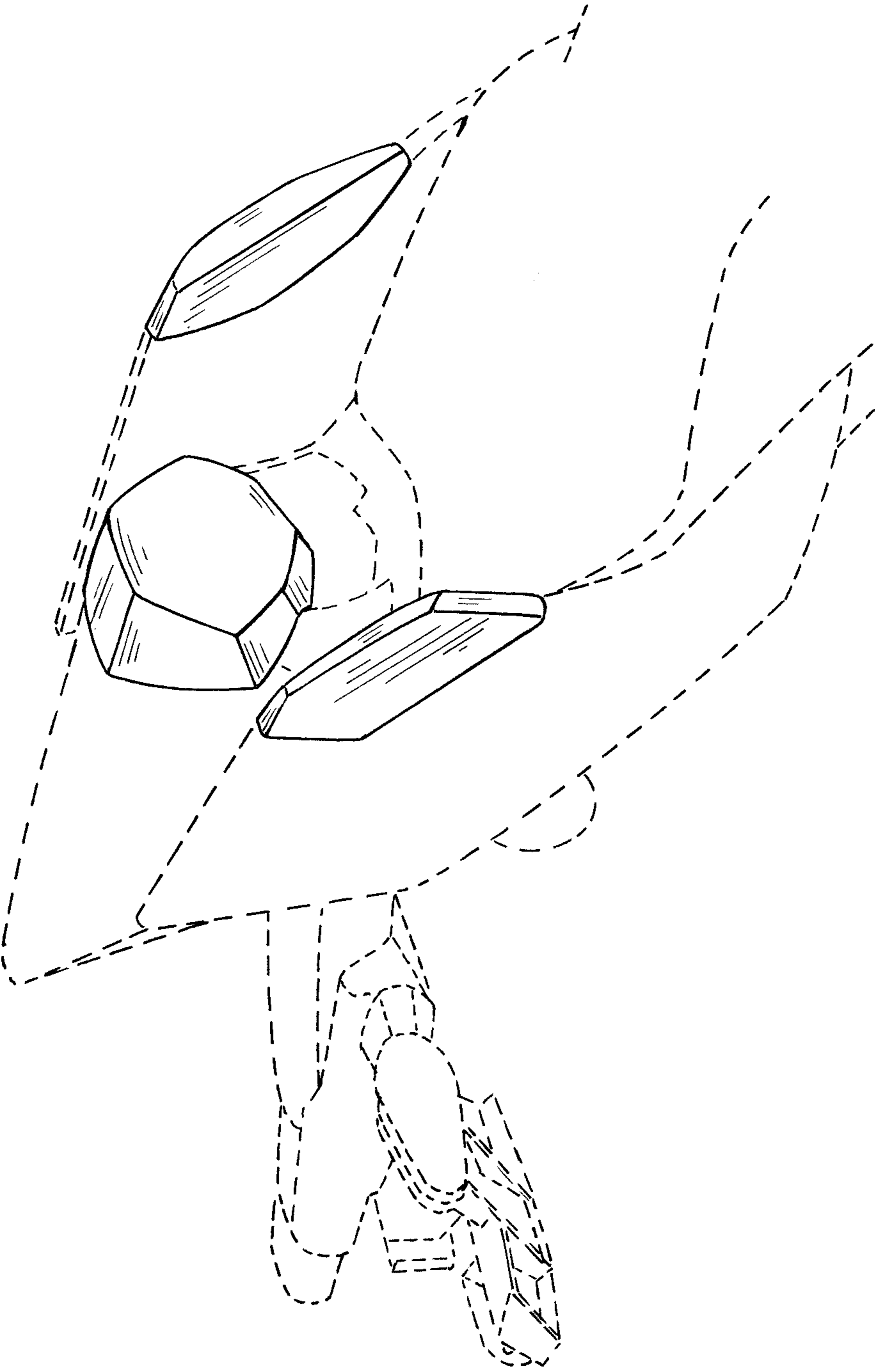


FIG. 4

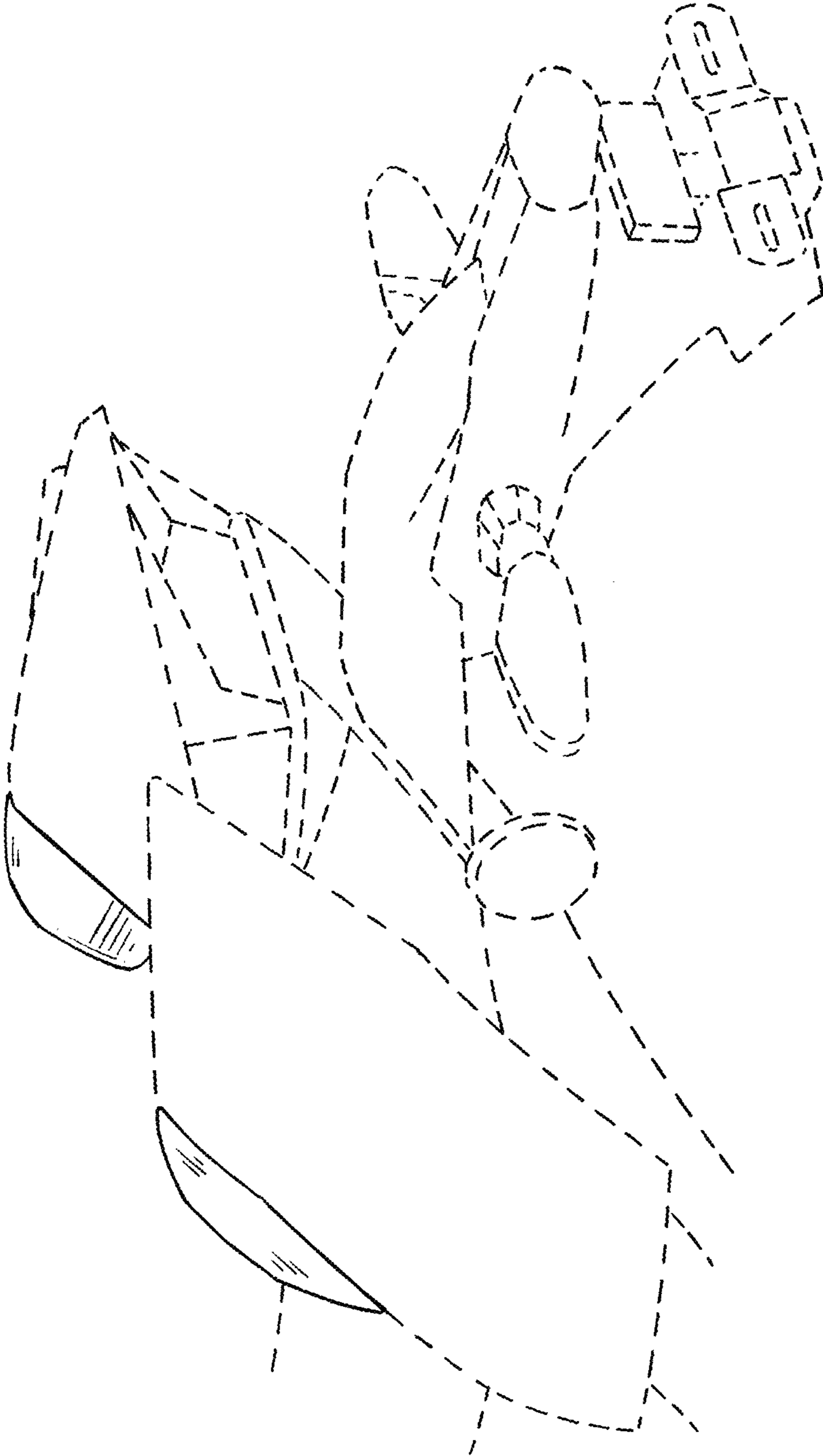


FIG. 5