



US00D774788S

(12) **United States Design Patent**
Wu

(10) **Patent No.:** **US D774,788 S**

(45) **Date of Patent:** **** Dec. 27, 2016**

(54) **DUAL-SEAT BENCH**

(71) Applicant: **Yao-Chuan Wu**, Chiayi Hsien (TW)

(72) Inventor: **Yao-Chuan Wu**, Chiayi Hsien (TW)

(**) Term: **15 Years**

(21) Appl. No.: **29/531,611**

(22) Filed: **Jun. 27, 2015**

(51) **LOC (10) Cl.** **06-01**

(52) **U.S. Cl.**

USPC **D6/349**

(58) **Field of Classification Search**

USPC D6/334-335, 349-355, 358, 360, 361,
D6/364-366, 370-374, 381, 688.15,
D6/691, 691.1, 691.4, 692, 692.4, 693,
D6/694, 694.2, 708, 708.16, 708.17,
D6/708.2, 708.23, 716, 716.1, 717
CPC A47C 9/00; A47C 9/02; A47C 9/002;
A47C 9/007; A47C 9/025; A47C
9/10; A47C 11/00; A47C 12/00; A47C
13/00; A47C 16/02; A47C 5/02; A47C
5/04; A47C 5/043; A47C
7/00-7/006; A47C 7/02; A47B 3/00;
A47B 3/02; A47B 3/04; A47B 3/12
See application file for complete search history.

(56) **References Cited**

U.S. PATENT DOCUMENTS

D225,797 S * 1/1973 Torrey D6/349
D262,921 S * 2/1982 Poole D6/349

4,742,900 A * 5/1988 Boxhammer A47C 17/82
190/2

D354,859 S * 1/1995 Hsu D6/349

D357,364 S * 4/1995 Dionne D6/335

D704,941 S * 5/2014 Anderson D6/349

D705,556 S * 5/2014 Udagawa D6/349

* cited by examiner

Primary Examiner — Vy Koenig

(74) *Attorney, Agent, or Firm* — Hershkovitz &
Associates, PLLC; Abe Hershkovitz

(57) **CLAIM**

The ornamental design for a dual-seat bench, as shown and described.

DESCRIPTION

FIG. 1 is a perspective view of a dual-seat bench showing my new design;

FIG. 2 is a front view thereof;

FIG. 3 is a rear view thereof;

FIG. 4 is a left side view thereof;

FIG. 5 is a right side view thereof;

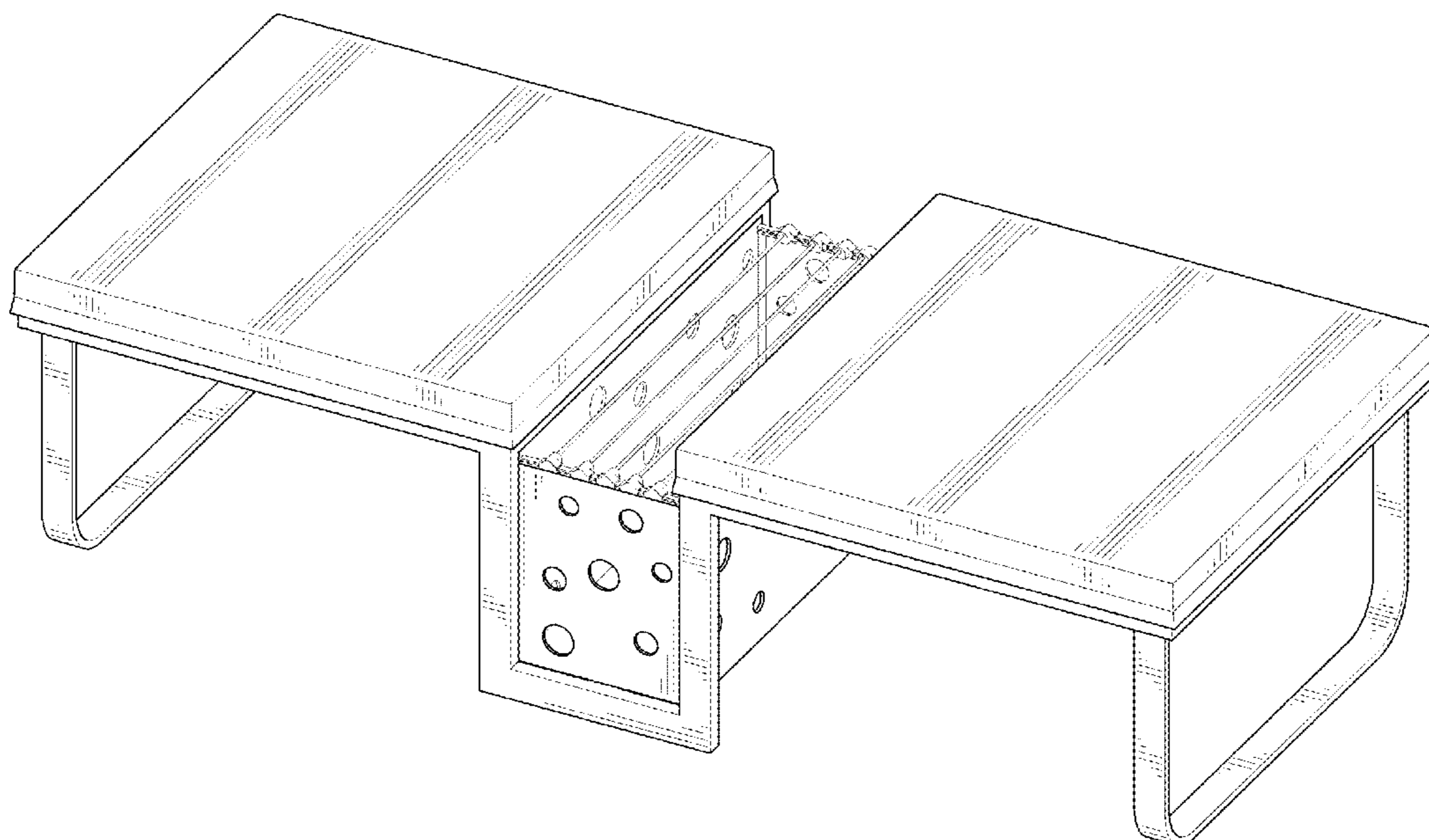
FIG. 6 is a top view thereof;

FIG. 7 is a bottom view thereof; and,

FIG. 8 is another perspective view thereof.

The broken lines represent portions of the bench that form no part of the claimed design.

1 Claim, 8 Drawing Sheets



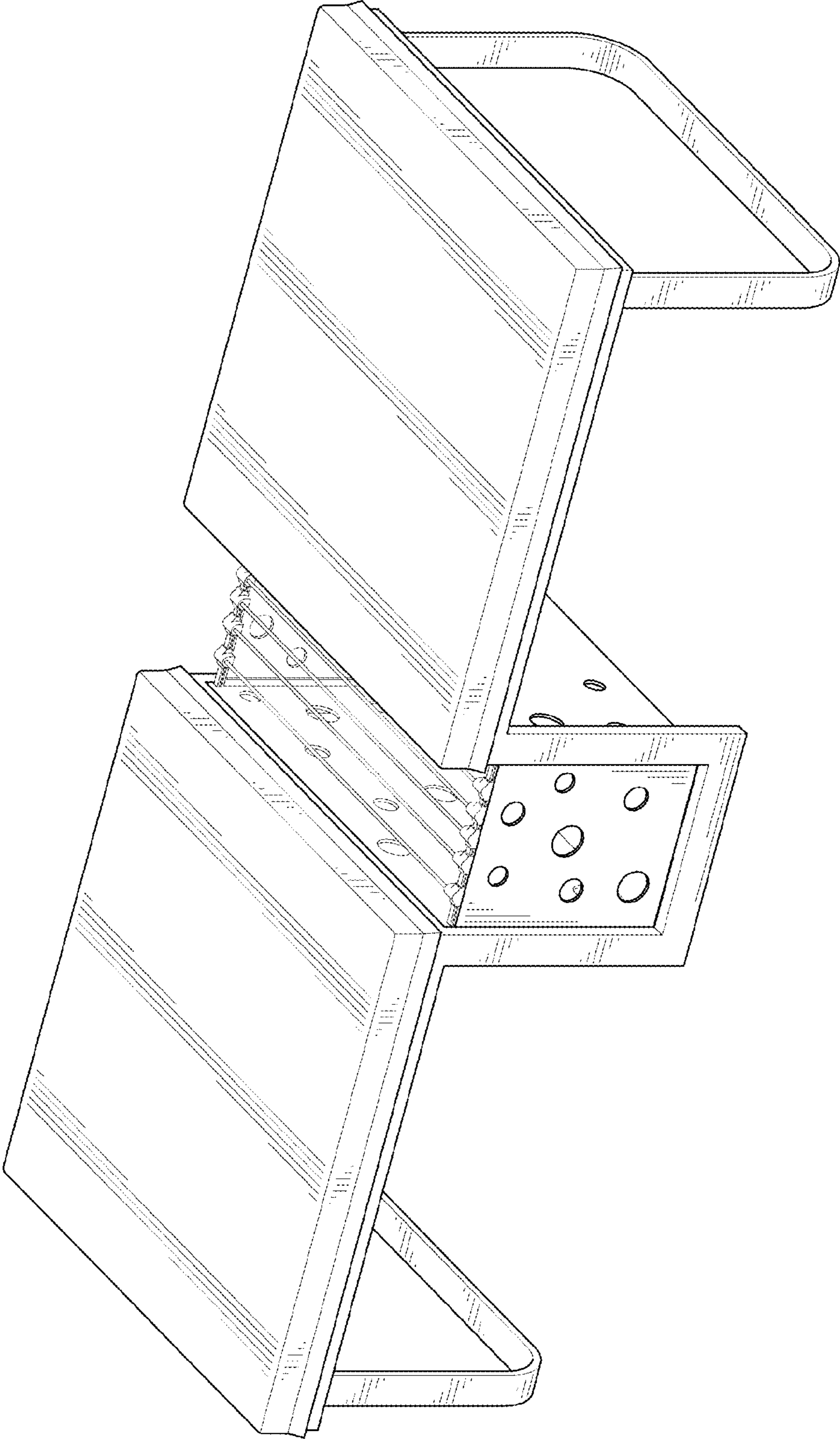


FIG.1

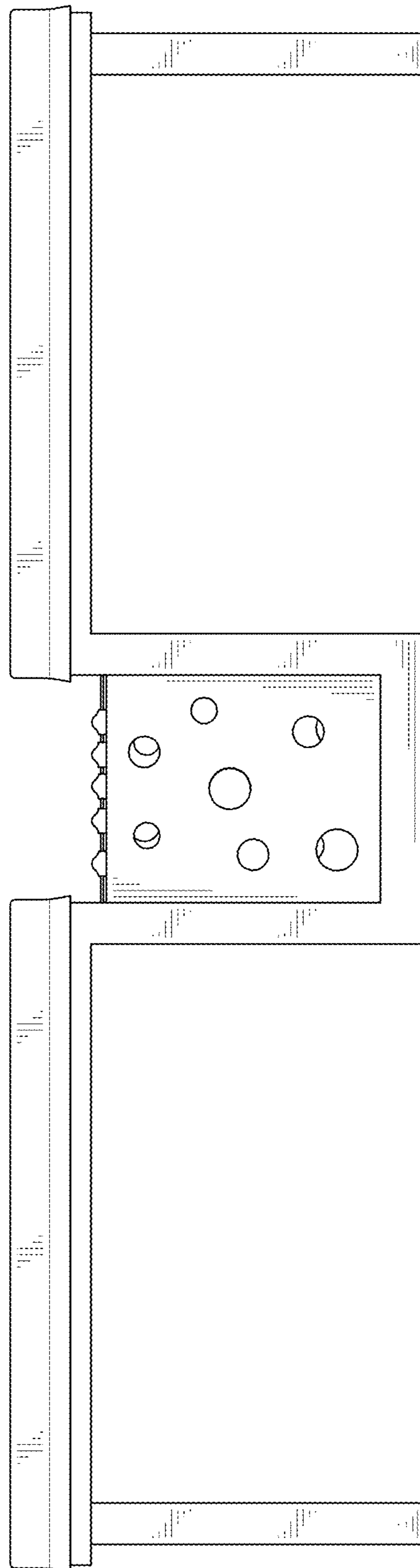


FIG.2

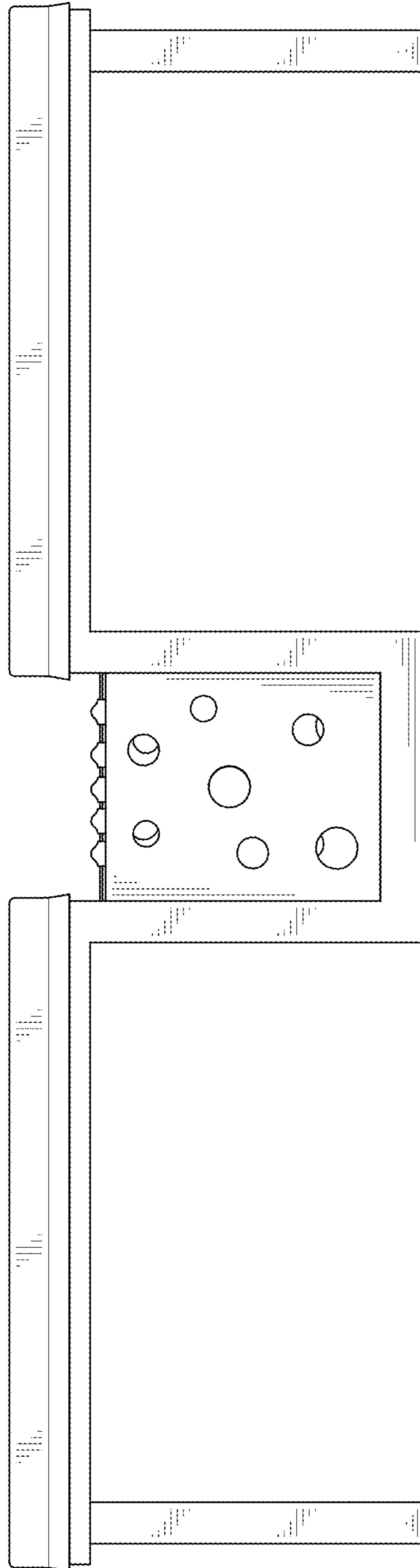


FIG.3

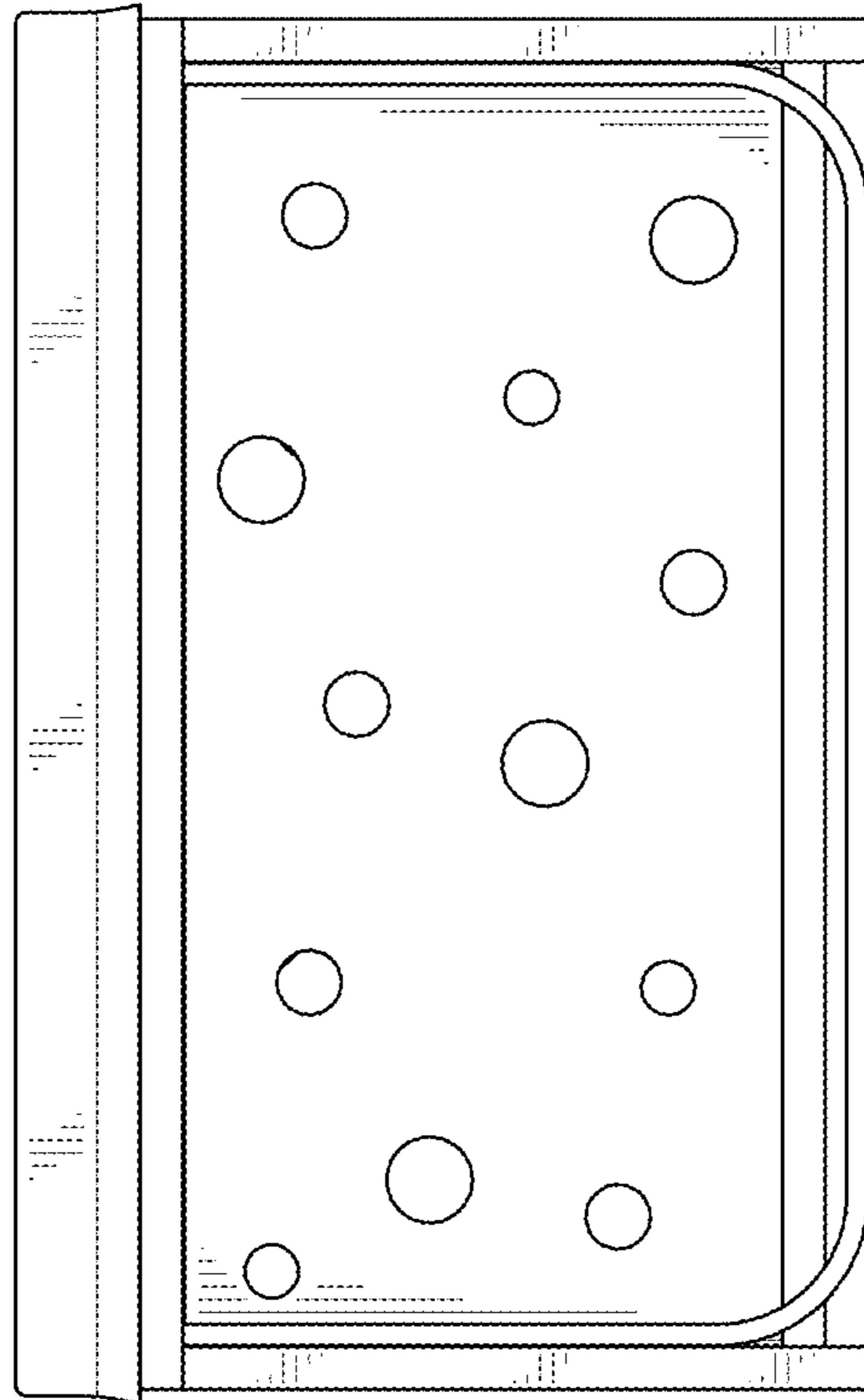


FIG.4

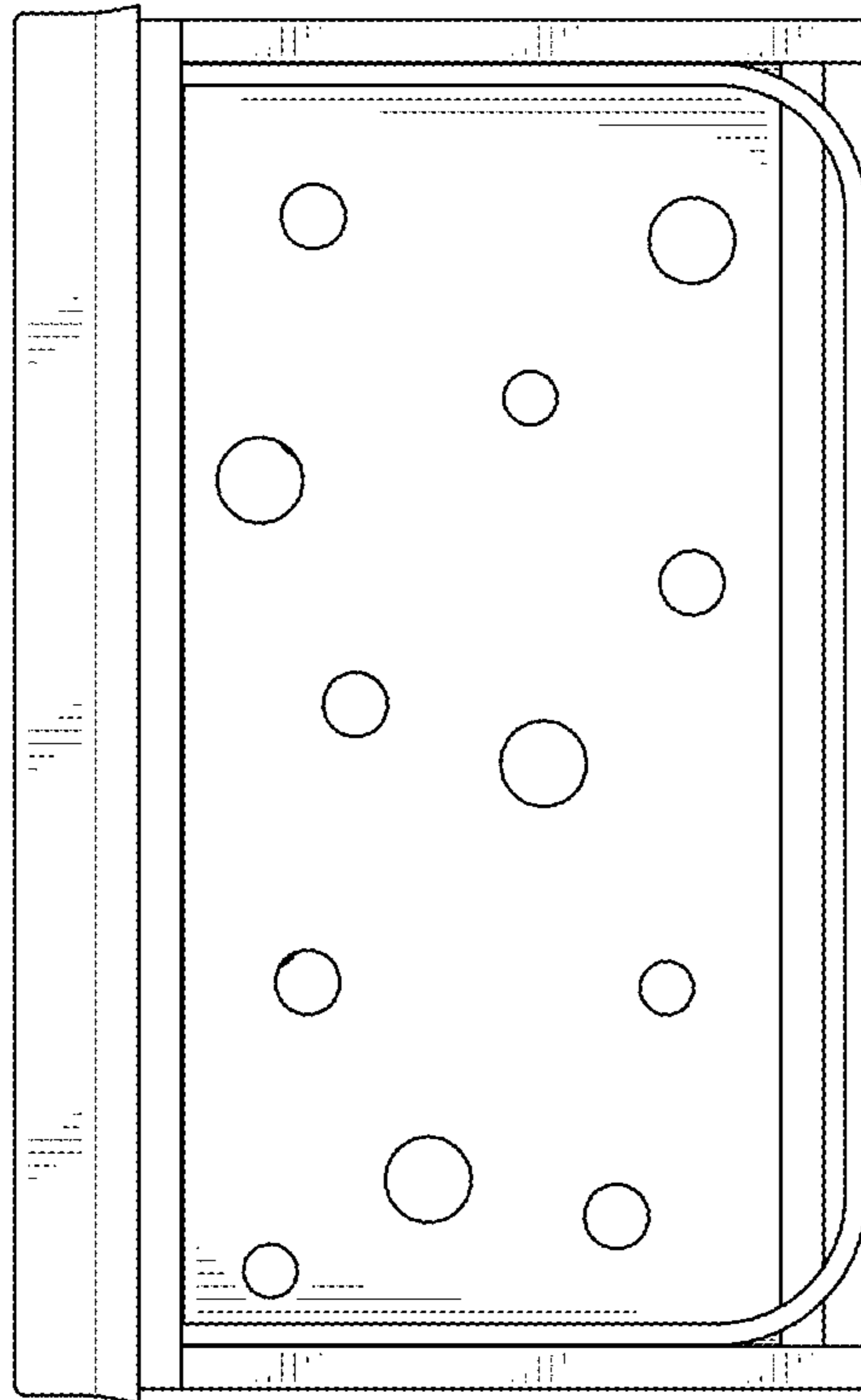


FIG.5

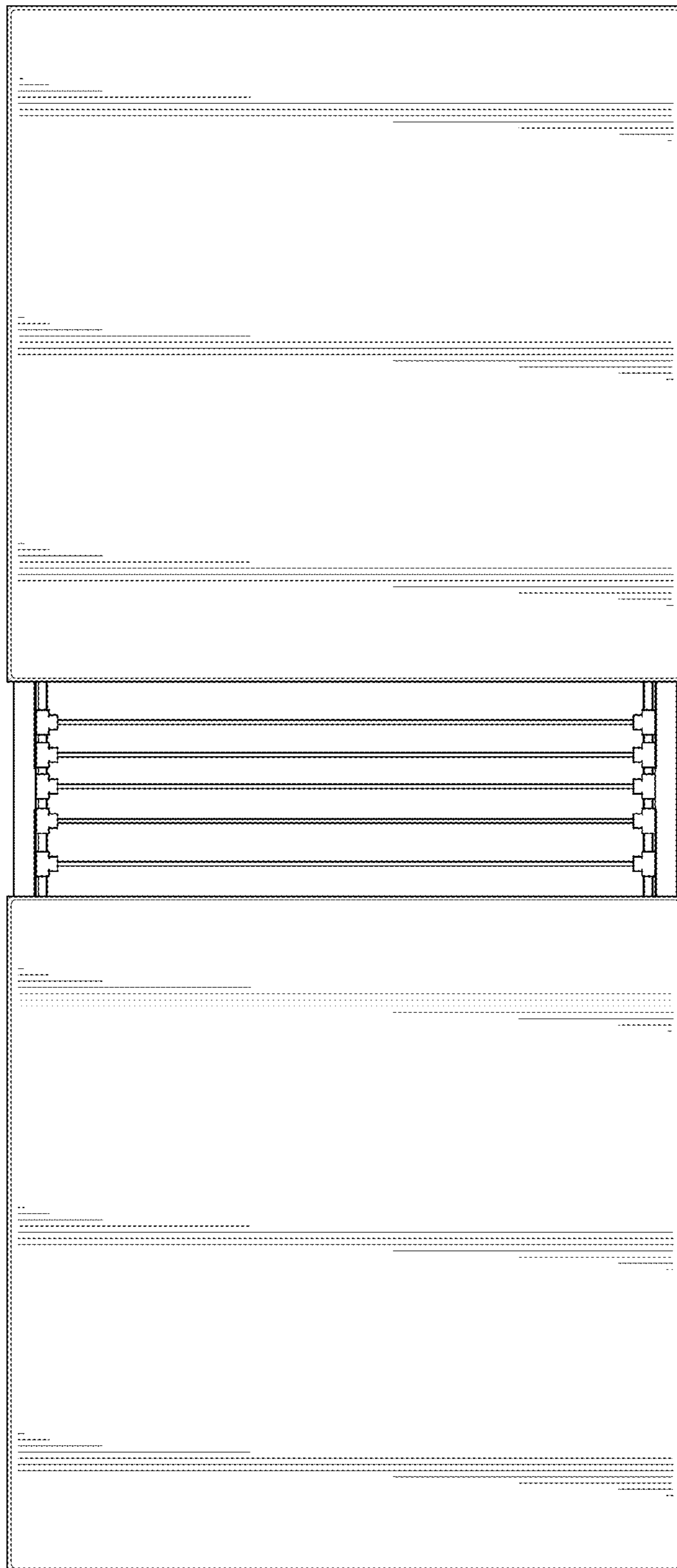


FIG.6

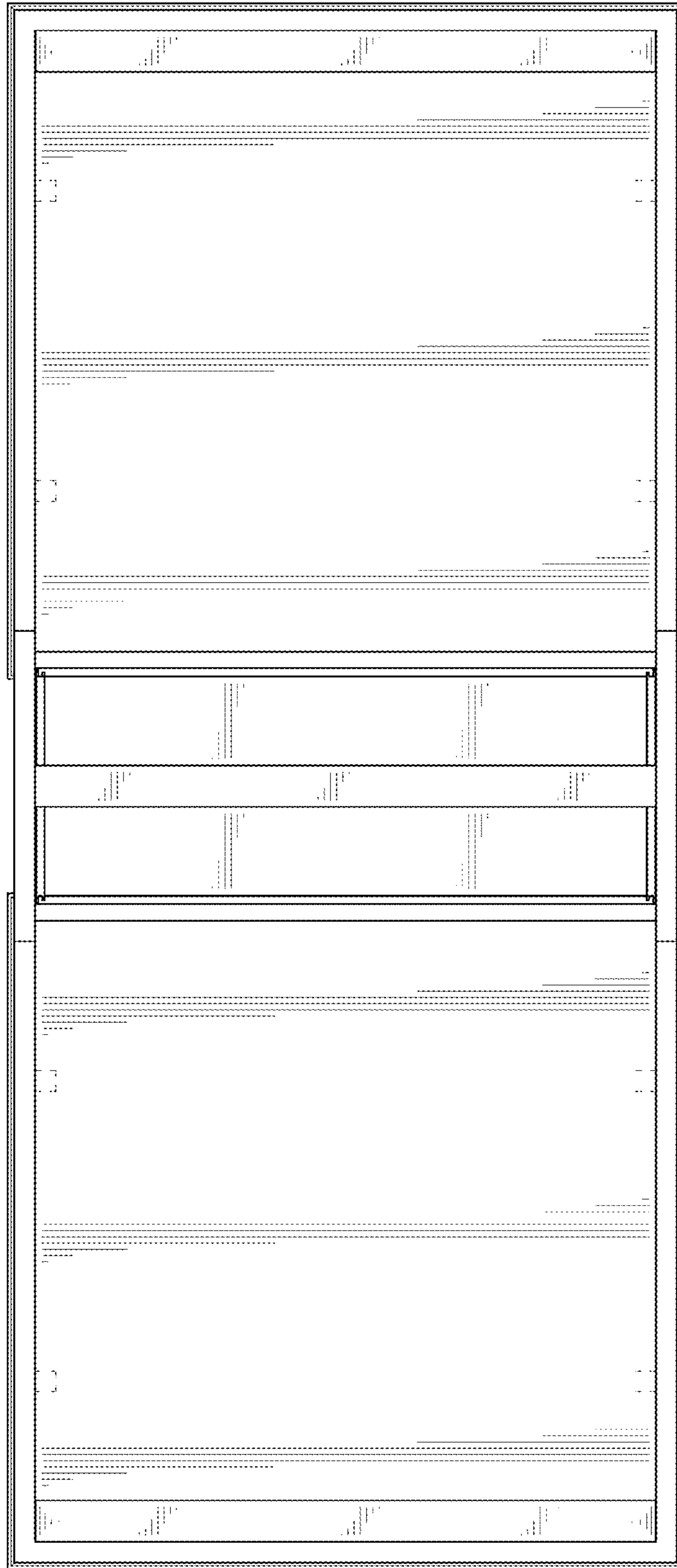


FIG.7

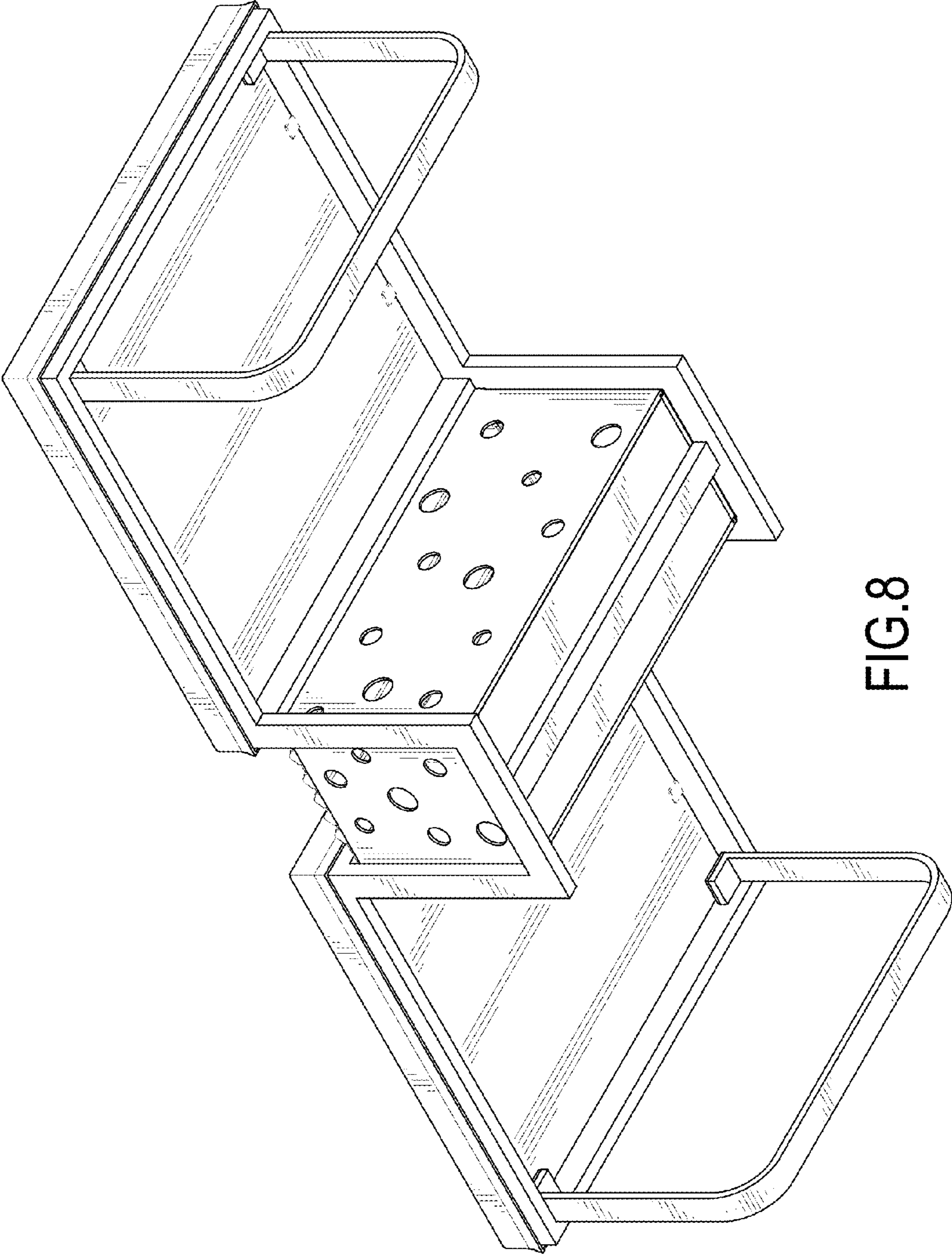


FIG.8