



US00D774787S

(12) **United States Design Patent**  
**Paesano**

(10) **Patent No.:** **US D774,787 S**

(45) **Date of Patent:** **\*\* Dec. 27, 2016**

(54) **STOOL**

(71) Applicant: **D3, Inc.**, Hawthorne, CA (US)

(72) Inventor: **Marco Paesano**, Toronto (CA)

(73) Assignee: **D3, Inc.**, Hawthorne, CA (US)

(\*\*) Term: **15 Years**

(21) Appl. No.: **29/529,396**

(22) Filed: **Jun. 5, 2015**

(51) **LOC (10) Cl.** ..... **06-01**

(52) **U.S. Cl.**  
USPC ..... **D6/349**

(58) **Field of Classification Search**

USPC ..... D6/334-335, 349-355, 358, 360, 361,  
D6/364-366, 370-374, 381, 688.15,  
D6/691, 691.1, 691.4, 692, 692.4, 693,  
D6/694, 694.2, 708, 708.16, 708.17,  
D6/708.2, 708.23, 716, 716.1, 717  
CPC ..... A47C 9/00; A47C 9/02; A47C 9/002;  
A47C 9/007; A47C 9/025; A47C  
9/10; A47C 11/00; A47C 12/00; A47C  
13/00; A47C 16/02; A47C 5/02; A47C  
5/04; A47C 5/043; A47C  
7/00-7/006; A47C 7/02; A47B 3/00;  
A47B 3/02; A47B 3/04; A47B 3/12

See application file for complete search history.

(56) **References Cited**

**U.S. PATENT DOCUMENTS**

D217,961 S \* 7/1970 Strassle ..... D6/349  
D222,248 S \* 10/1971 Leaver ..... D6/365

D350,450 S \* 9/1994 Hassel ..... D6/349  
D530,531 S \* 10/2006 Kita ..... D6/349  
D584,901 S \* 1/2009 Massaud ..... D6/366  
D596,415 S \* 7/2009 Wold ..... D6/349  
D664,371 S \* 7/2012 Wilson ..... D6/349  
D682,566 S \* 5/2013 Parker ..... D6/349  
D691,841 S \* 10/2013 Wu ..... D6/349  
D725,923 S \* 4/2015 Kaye ..... D6/349

\* cited by examiner

*Primary Examiner* — Vy Koenig

(74) *Attorney, Agent, or Firm* — K&L Gates, LLP; Louis Cullman; Brian J. Novak

(57) **CLAIM**

The ornamental design for a stool, as shown and described.

**DESCRIPTION**

FIG. 1 is a front, left, and top perspective view of a stool of my design.

FIG. 2 is a rear, left, and bottom perspective view of the stool of FIG. 1.

FIG. 3 is a front view of the stool of FIG. 1.

FIG. 4 is a rear view of the stool of FIG. 1.

FIG. 5 is a first side view of the stool of FIG. 1.

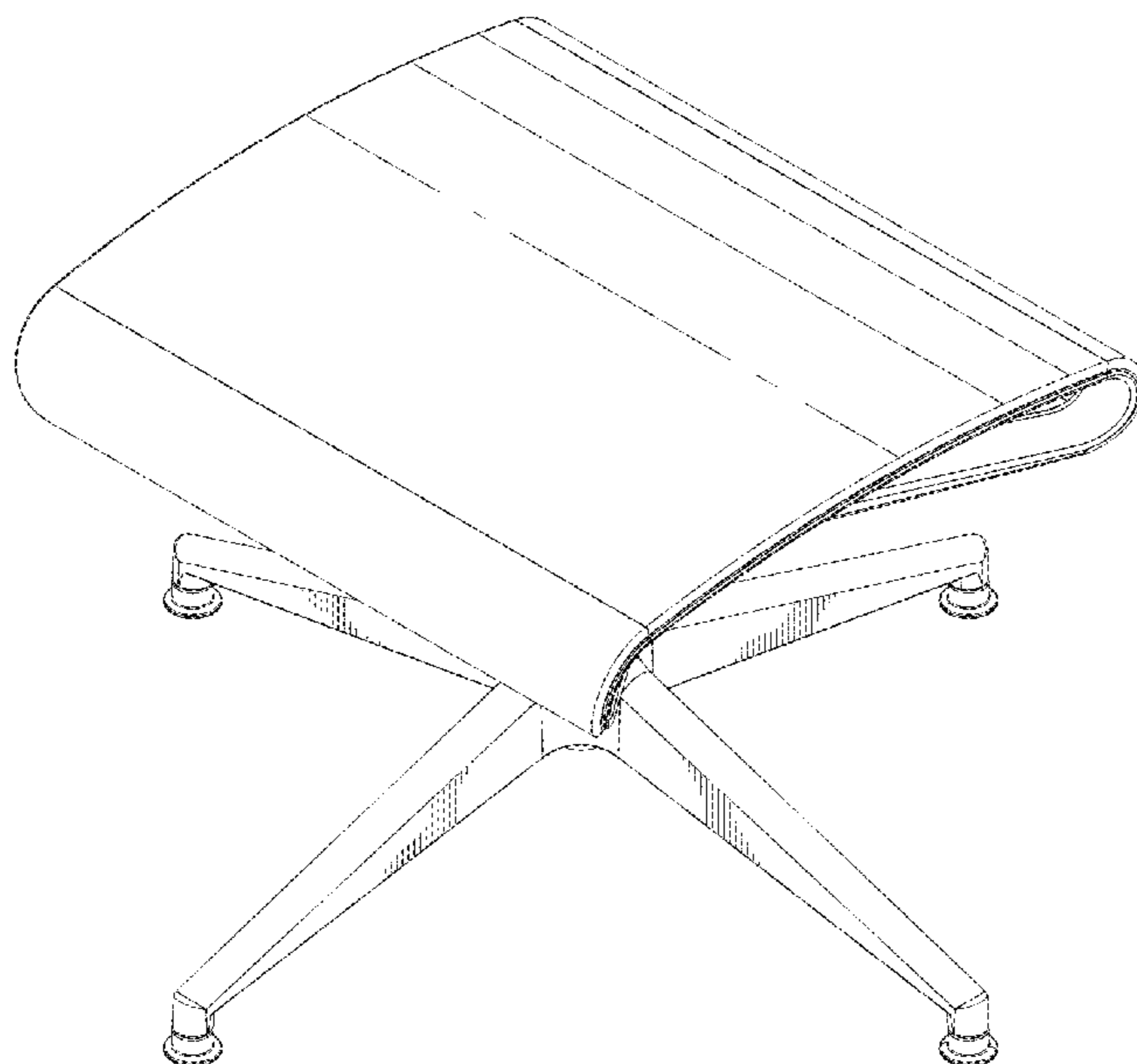
FIG. 6 is a second side view of the stool of FIG. 1.

FIG. 7 is a top view of the stool of FIG. 1; and,

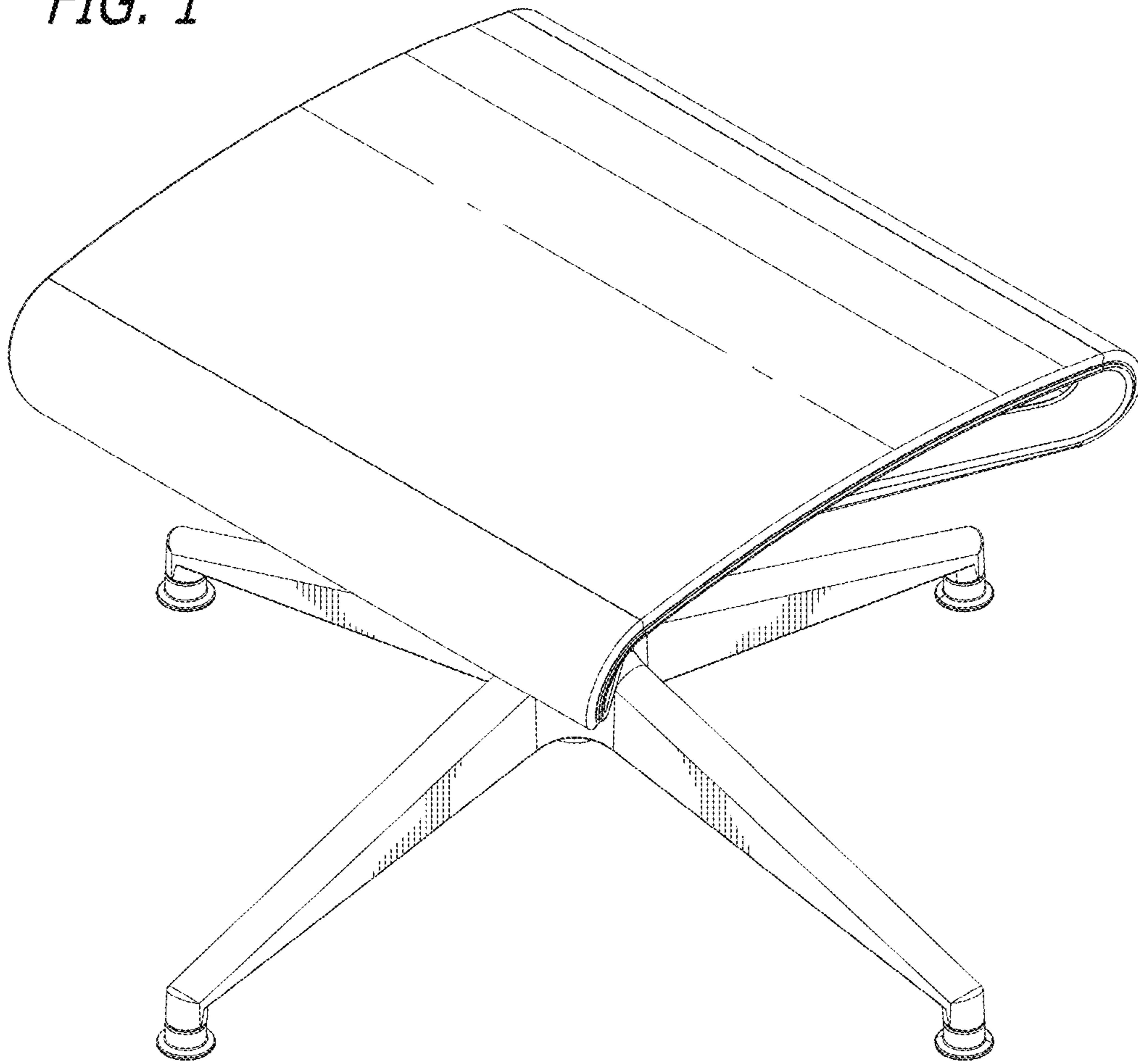
FIG. 8 is a bottom view of the stool of FIG. 1.

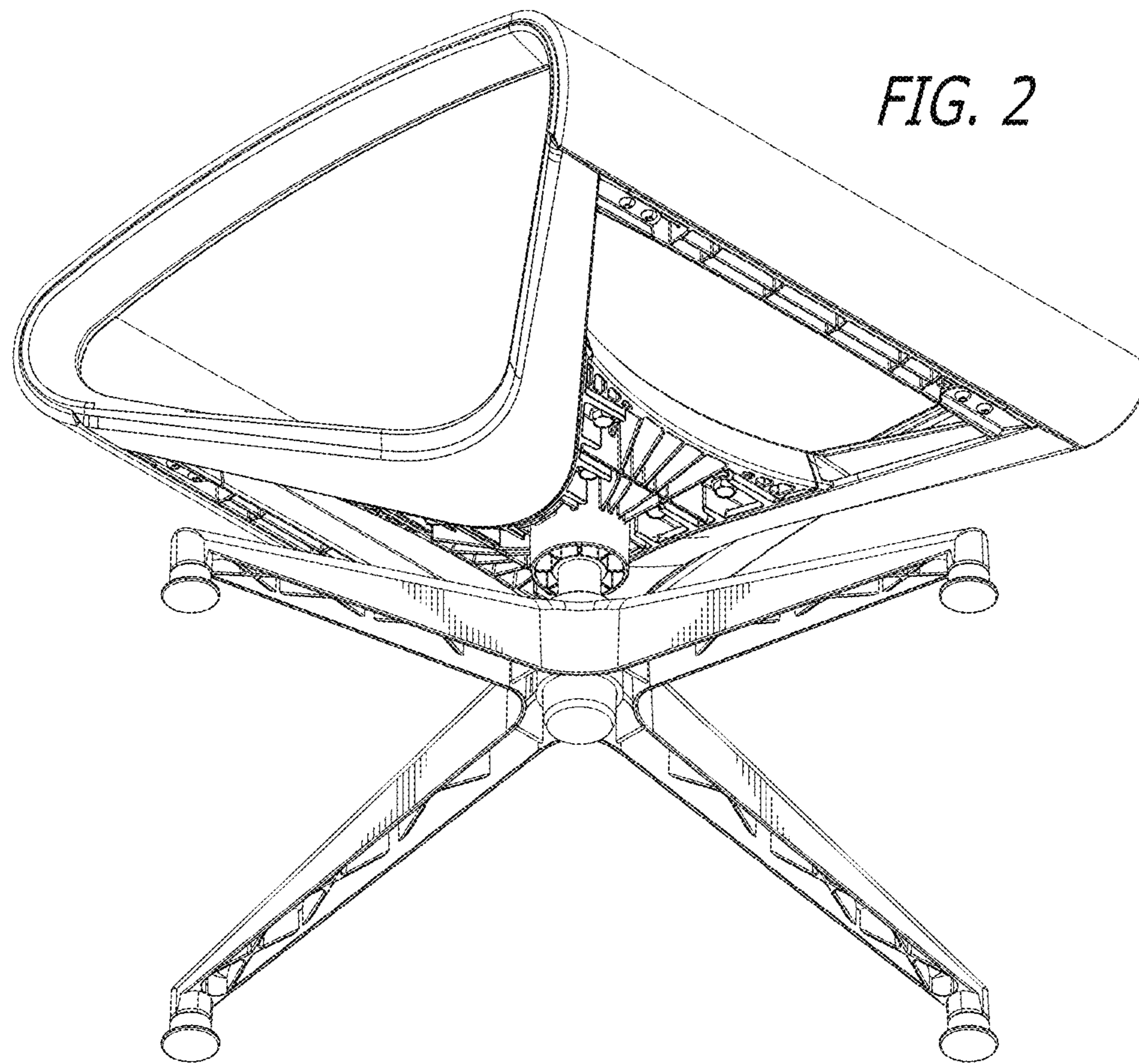
The dash broken lines are for the purpose of illustrating environmental structure that forms no part of the claimed design.

**1 Claim, 6 Drawing Sheets**

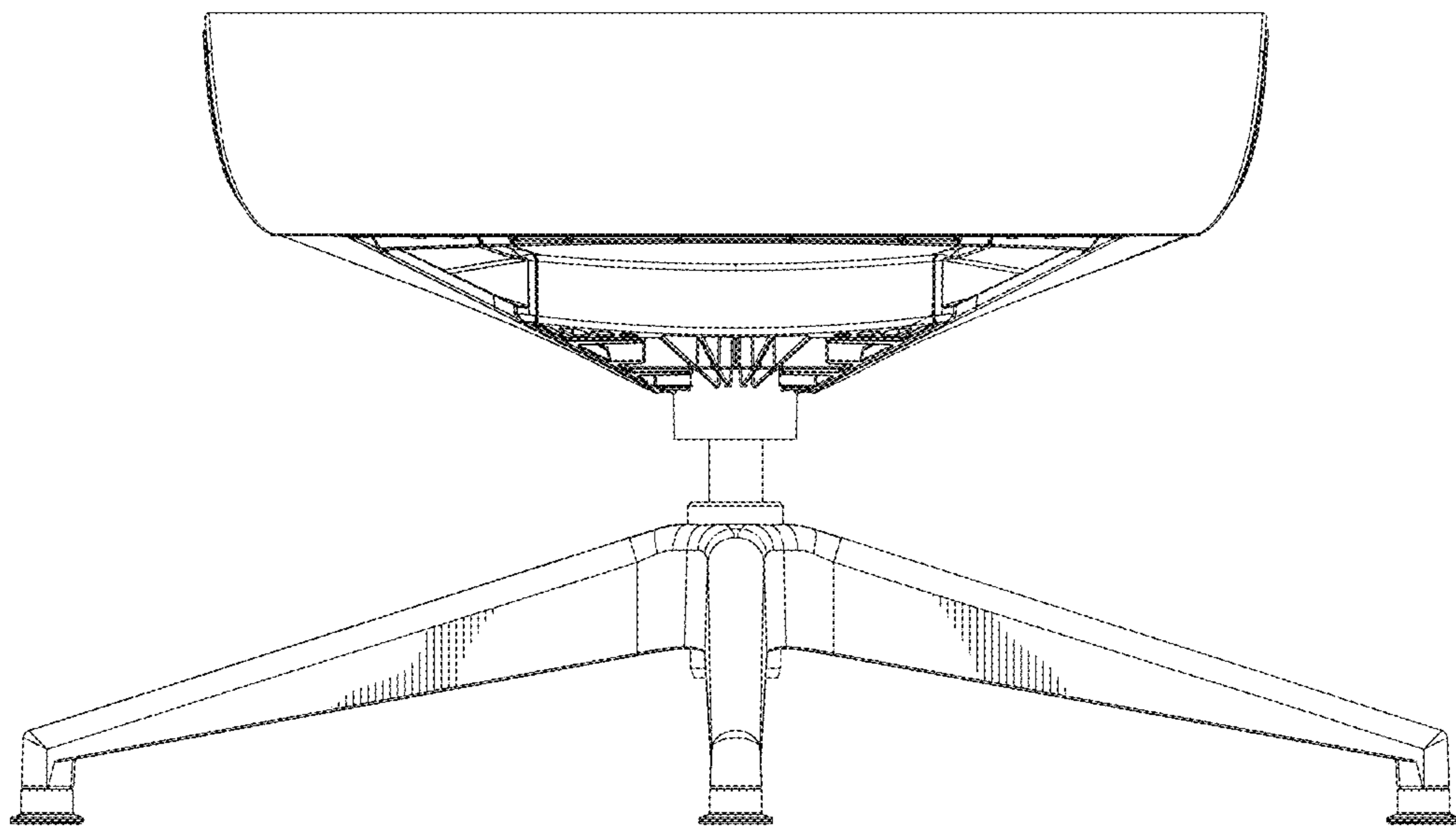
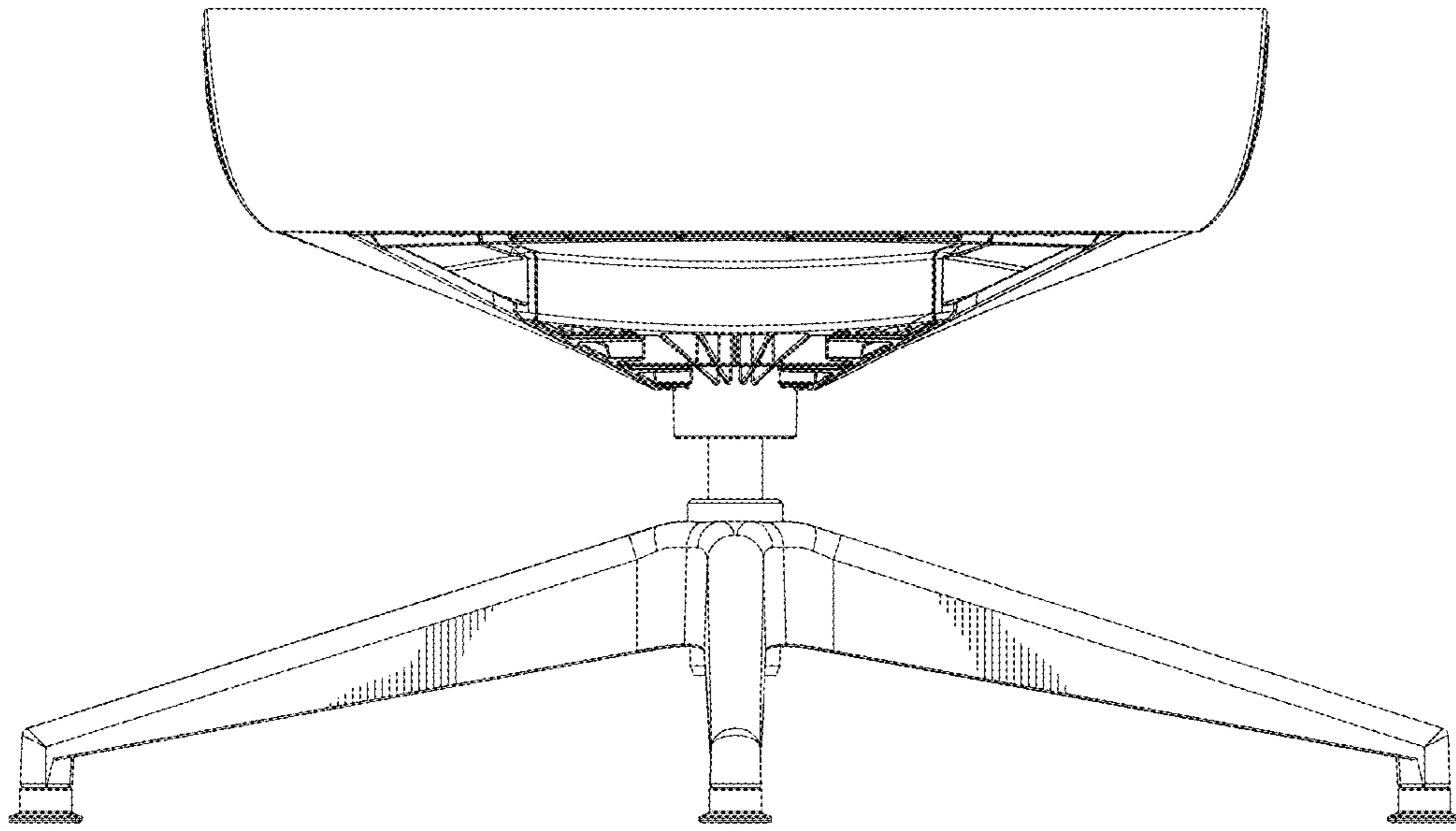


*FIG. 1*

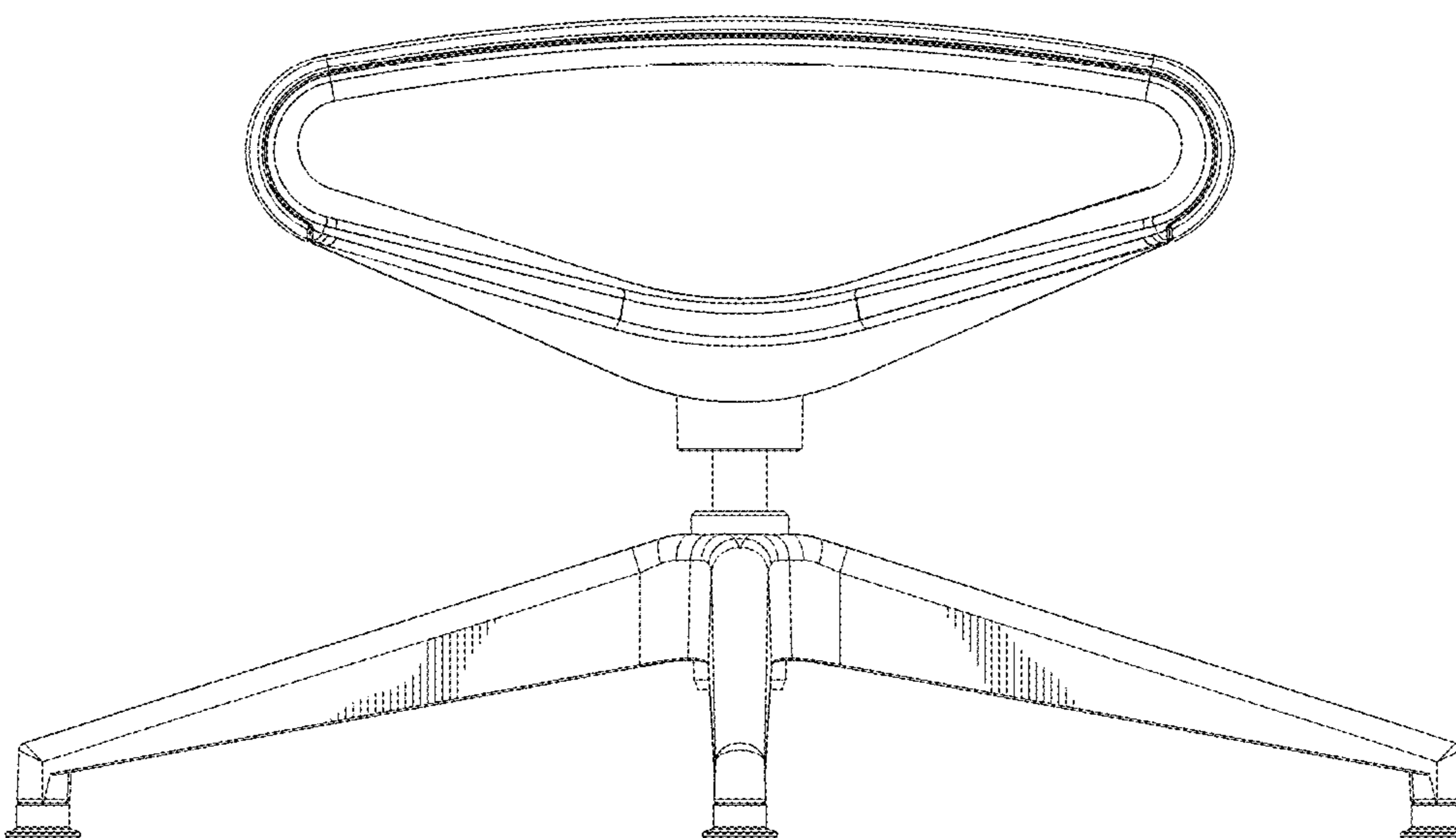
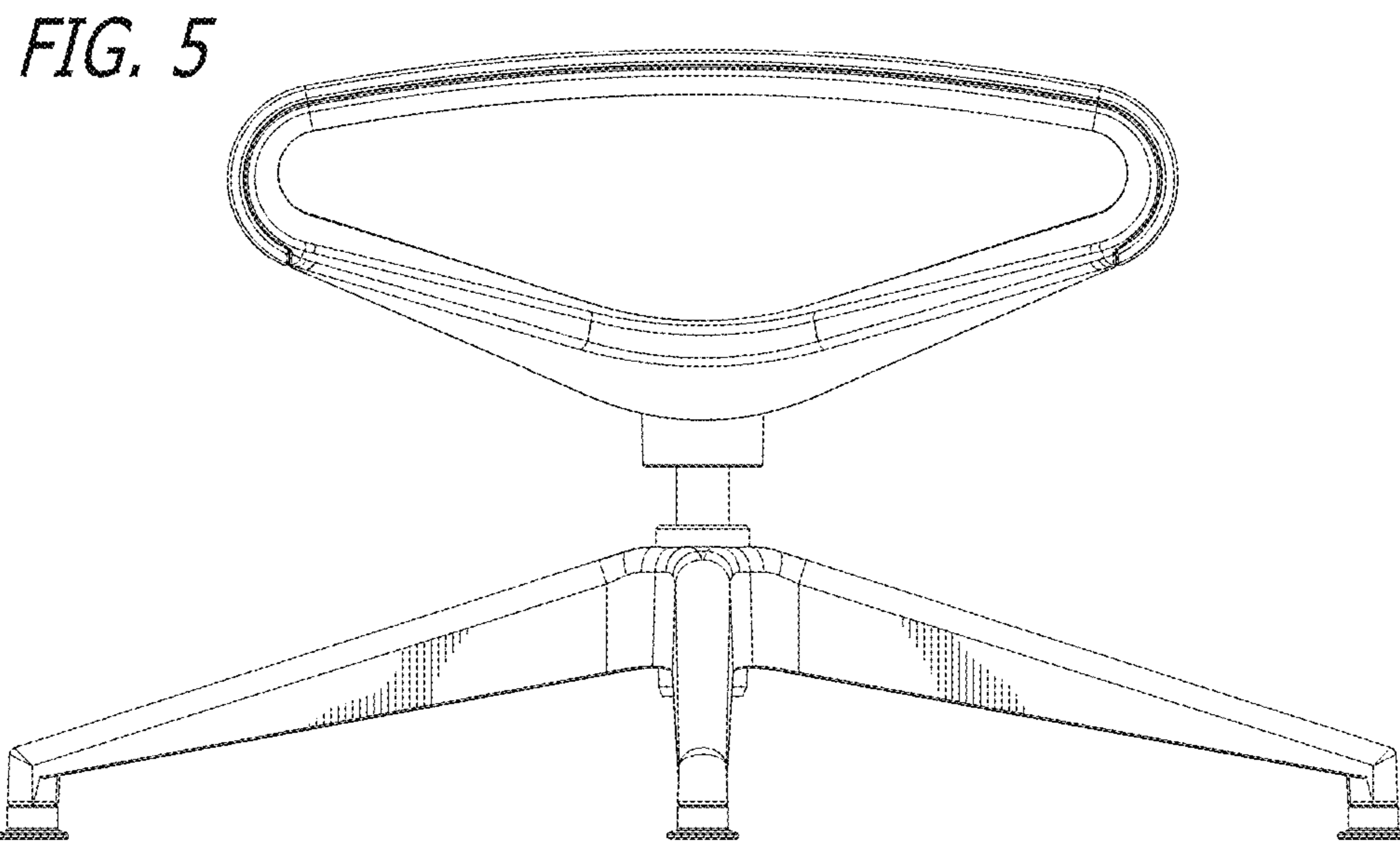




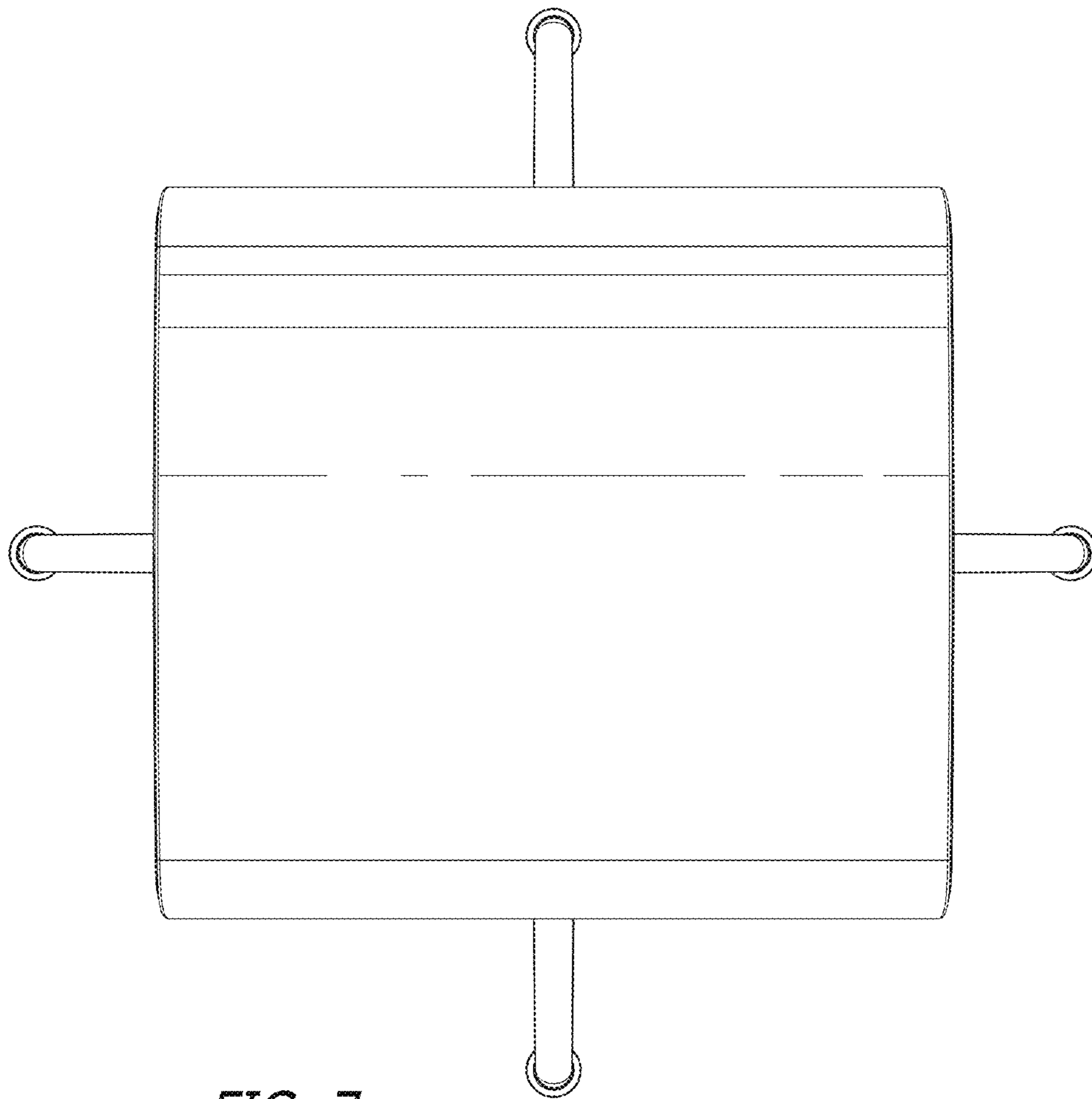
*FIG. 3*



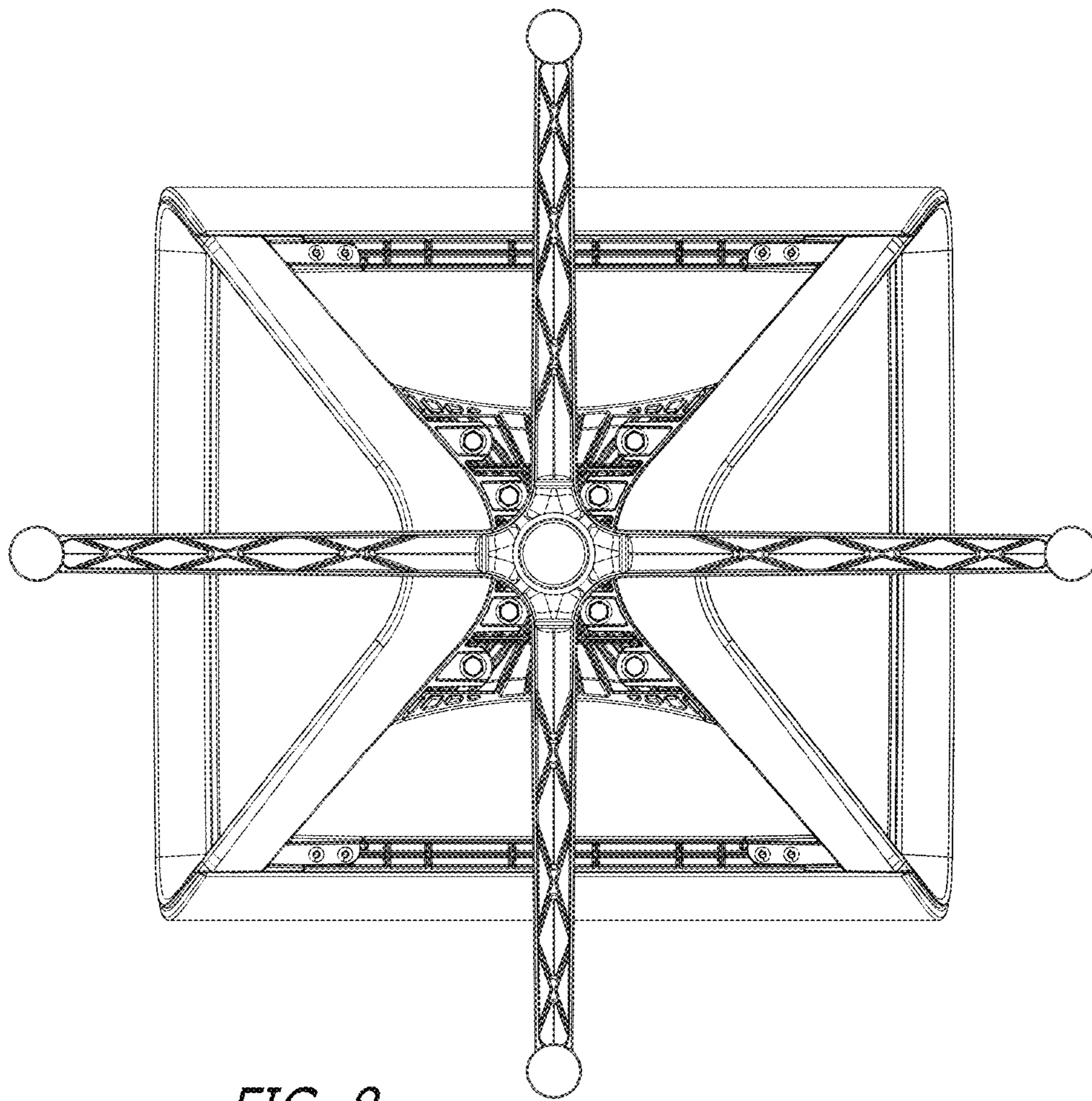
*FIG. 4*



*FIG. 6*



*FIG. 7*



*FIG. 8*

UNITED STATES PATENT AND TRADEMARK OFFICE  
**CERTIFICATE OF CORRECTION**

PATENT NO. : D774,787 S  
APPLICATION NO. : 29/529396  
DATED : December 27, 2016  
INVENTOR(S) : Paesano

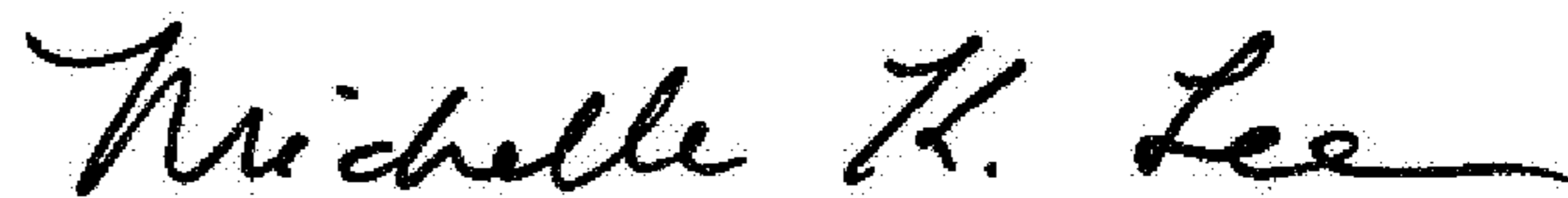
Page 1 of 1

It is certified that error appears in the above-identified patent and that said Letters Patent is hereby corrected as shown below:

On the Title Page

Item (73) delete "D3, Inc." and insert --D3, Inc. dba 9 to 5 Seating--

Signed and Sealed this  
Twenty-eighth Day of March, 2017



Michelle K. Lee  
*Director of the United States Patent and Trademark Office*