



US00D774786S

(12) **United States Design Patent** (10) **Patent No.:** **US D774,786 S**
Stoter (45) **Date of Patent:** **** Dec. 27, 2016**

(54) **LOUNGER**
(71) Applicant: **VIVERE, Ltd.**, Guelph (CA)
(72) Inventor: **Jason Stoter**, Guelph (CA)
(73) Assignee: **VIVERE, LTD.**, Guelph (CA)
(**) Term: **14 Years**

D699,453 S * 2/2014 Weng D6/347
D705,552 S * 5/2014 Zheng D6/347
D705,553 S * 5/2014 Zheng D6/347
D728,949 S * 5/2015 Fang D6/348
D728,950 S * 5/2015 Fang D6/348
D734,046 S * 7/2015 Shen D6/347
D734,619 S * 7/2015 Pan D6/347
D734,620 S * 7/2015 Fang D6/347
D752,351 S * 3/2016 Pan D6/347

(21) Appl. No.: **29/517,234**
(22) Filed: **Feb. 11, 2015**
(51) **LOC (10) Cl.** **06-01**
(52) **U.S. Cl.**
USPC **D6/347**
(58) **Field of Classification Search**
USPC D6/334-336, 344, 347-348, 361,
D6/368-370, 716, 708.16, 716.1-716.4;
D21/823
CPC A45F 3/22; A45F 3/24; A45F 3/26;
A47C 3/0255; A47C 3/12; A63G 9/00
See application file for complete search history.

OTHER PUBLICATIONS

Vivere, Original Dream Chair (2013).

* cited by examiner

Primary Examiner — Ricky Pham
(74) *Attorney, Agent, or Firm* — Hodgson Russ LLP

(57) **CLAIM**

The ornamental design for a lounge, as shown and described.

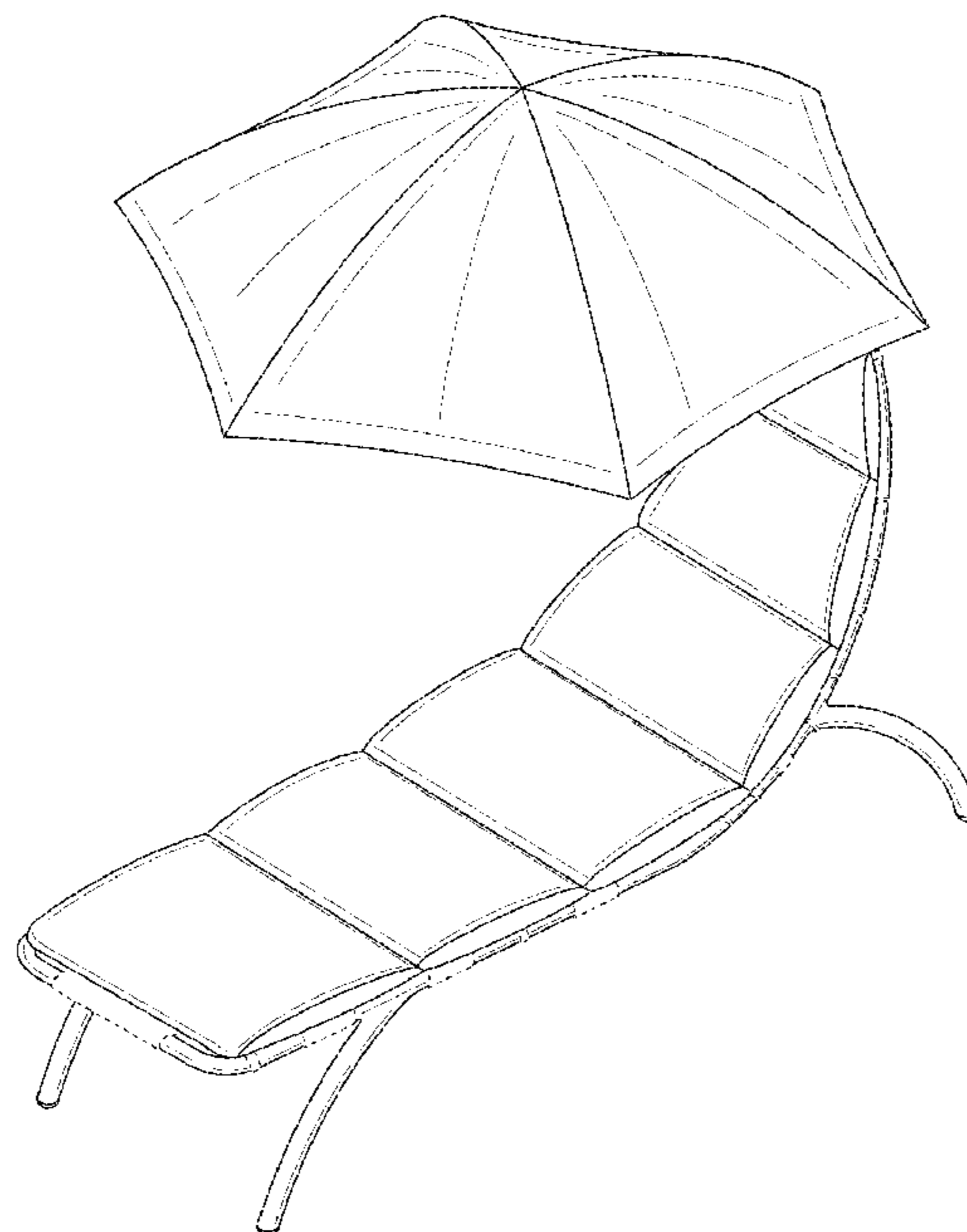
DESCRIPTION

FIG. 1 is a perspective view of a lounge showing my new design;
FIG. 2 is a front elevational view thereof;
FIG. 3 is a rear elevational view thereof;
FIG. 4 is a right side elevational view thereof, the left side view (not shown) being a mirror-symmetrical thereto;
FIG. 5 is a top plan view thereof; and,
FIG. 6 is a bottom plan view thereof.
The broken line illustrations in the drawing figures of the webbing and rope are for illustrative purposes only and form no part of the claimed design.

(56) **References Cited**
U.S. PATENT DOCUMENTS

3,528,657 A 9/1970 Krupsky
D230,921 S 3/1974 Bonnell
D258,252 S 2/1981 Gass
D281,206 S * 11/1985 Halsall D6/347
5,588,702 A 12/1996 Litwin
D531,826 S 11/2006 Nutsos
D548,472 S 8/2007 Habing et al.
D660,608 S 5/2012 Hasman
D677,914 S * 3/2013 Cardenas D6/347

1 Claim, 6 Drawing Sheets



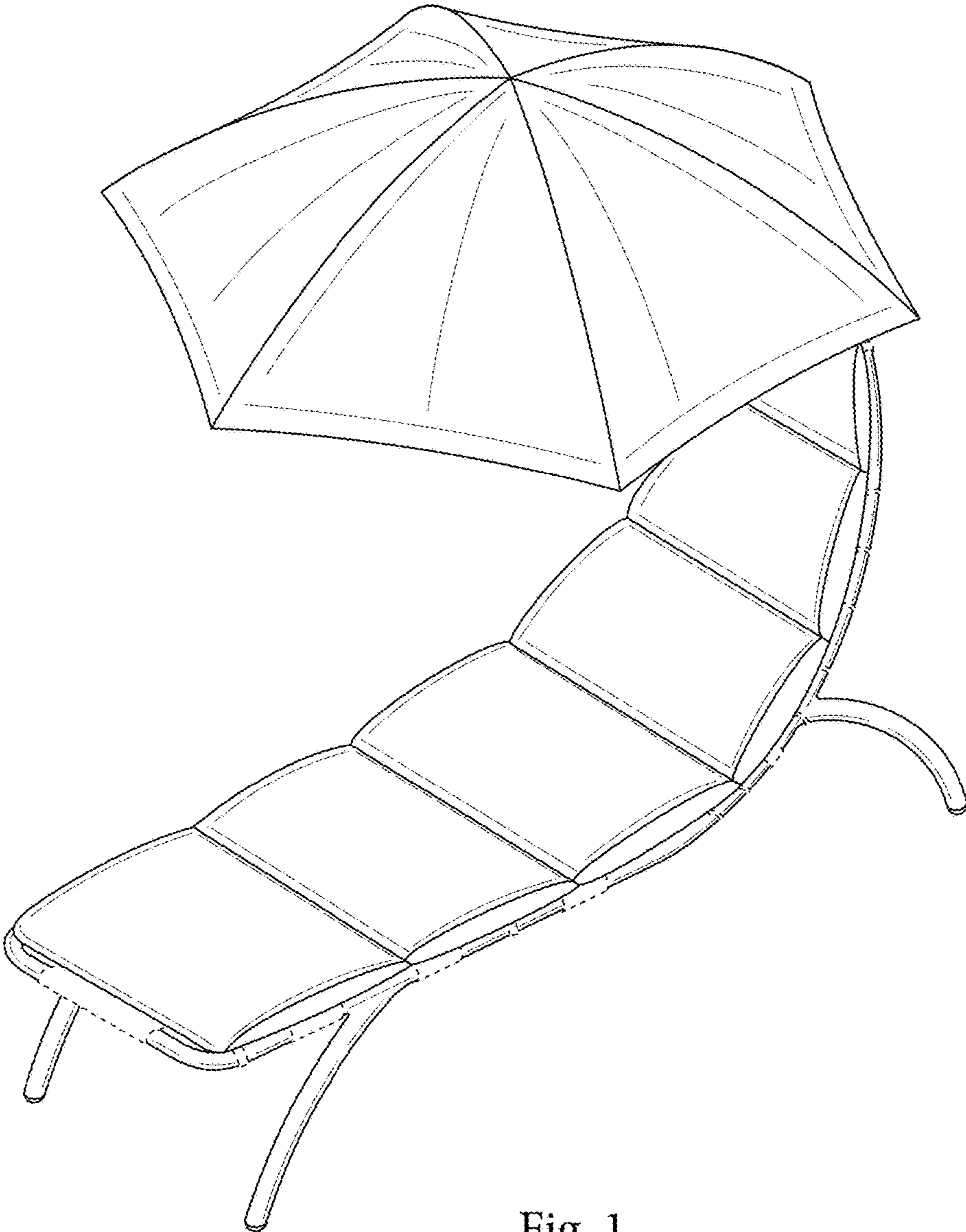


Fig. 1

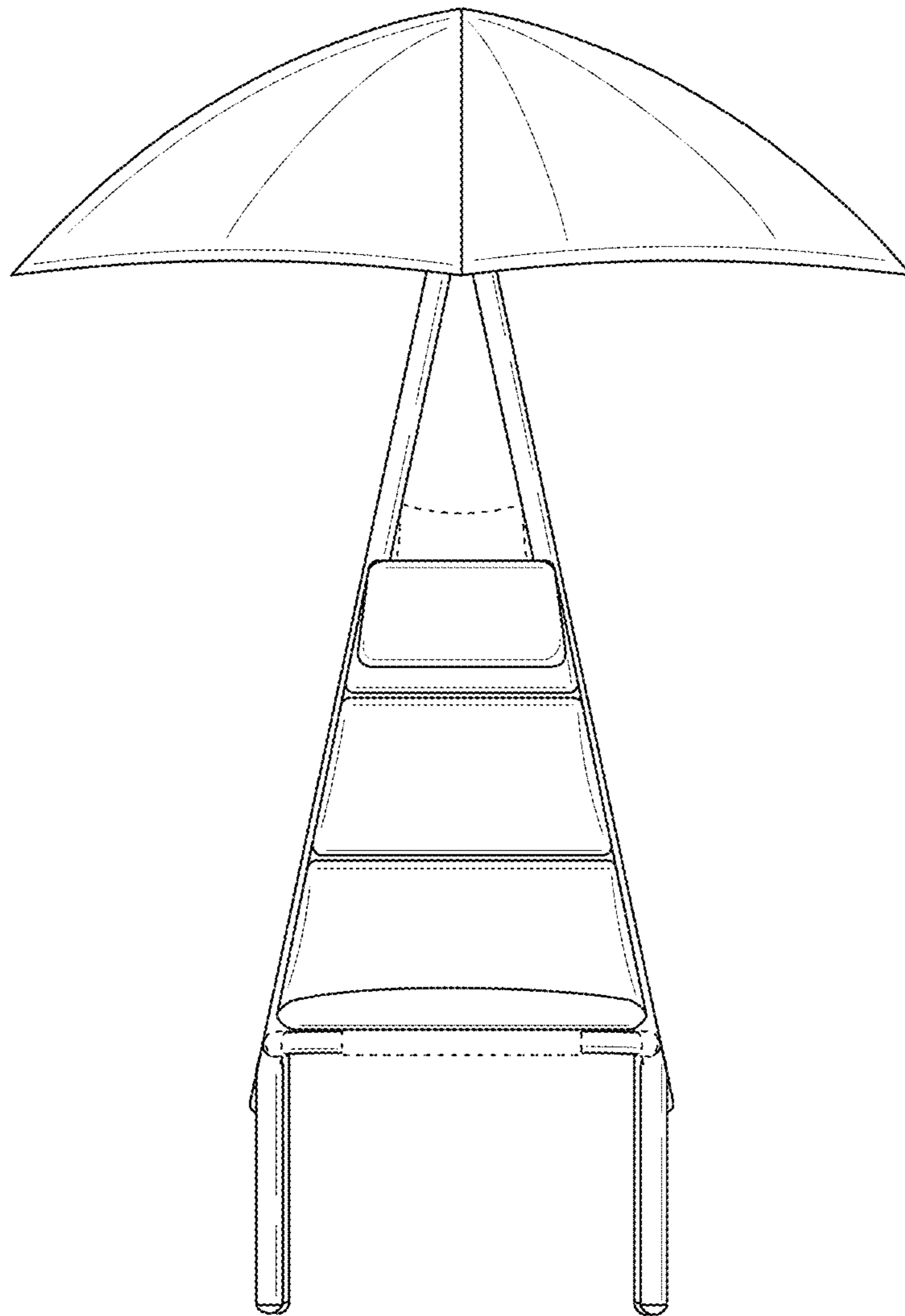


Fig. 2

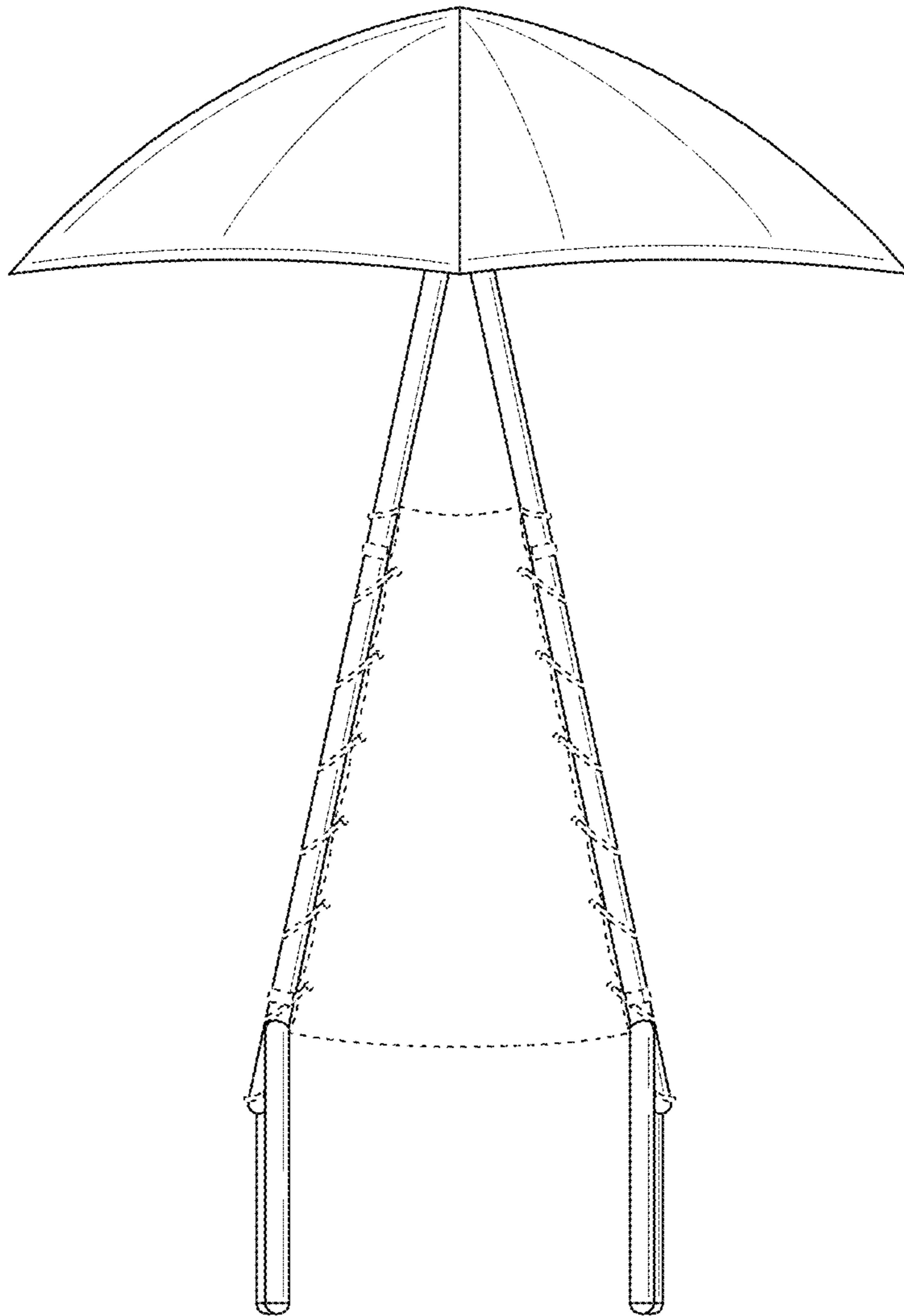


Fig. 3

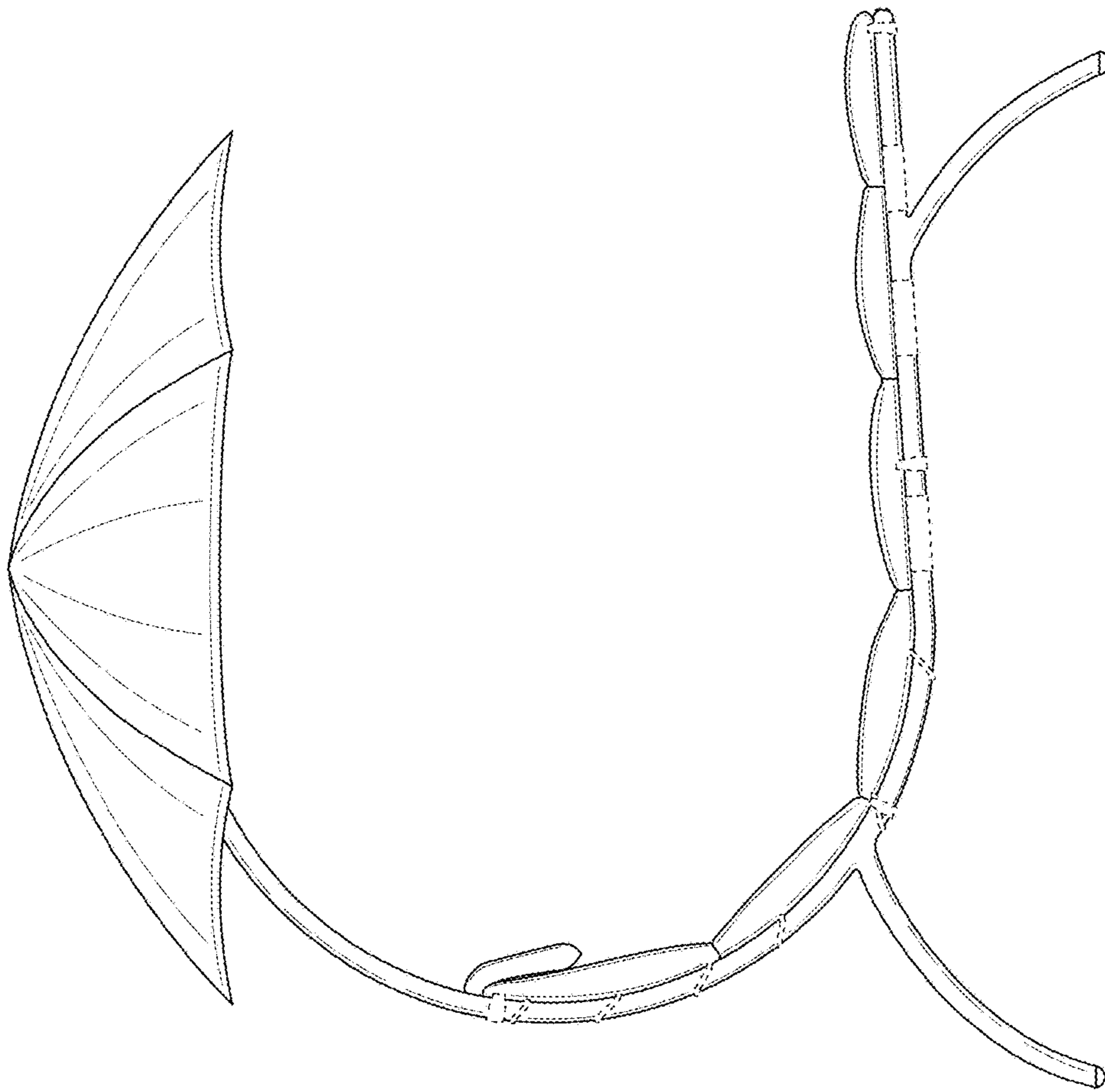


Fig. 4

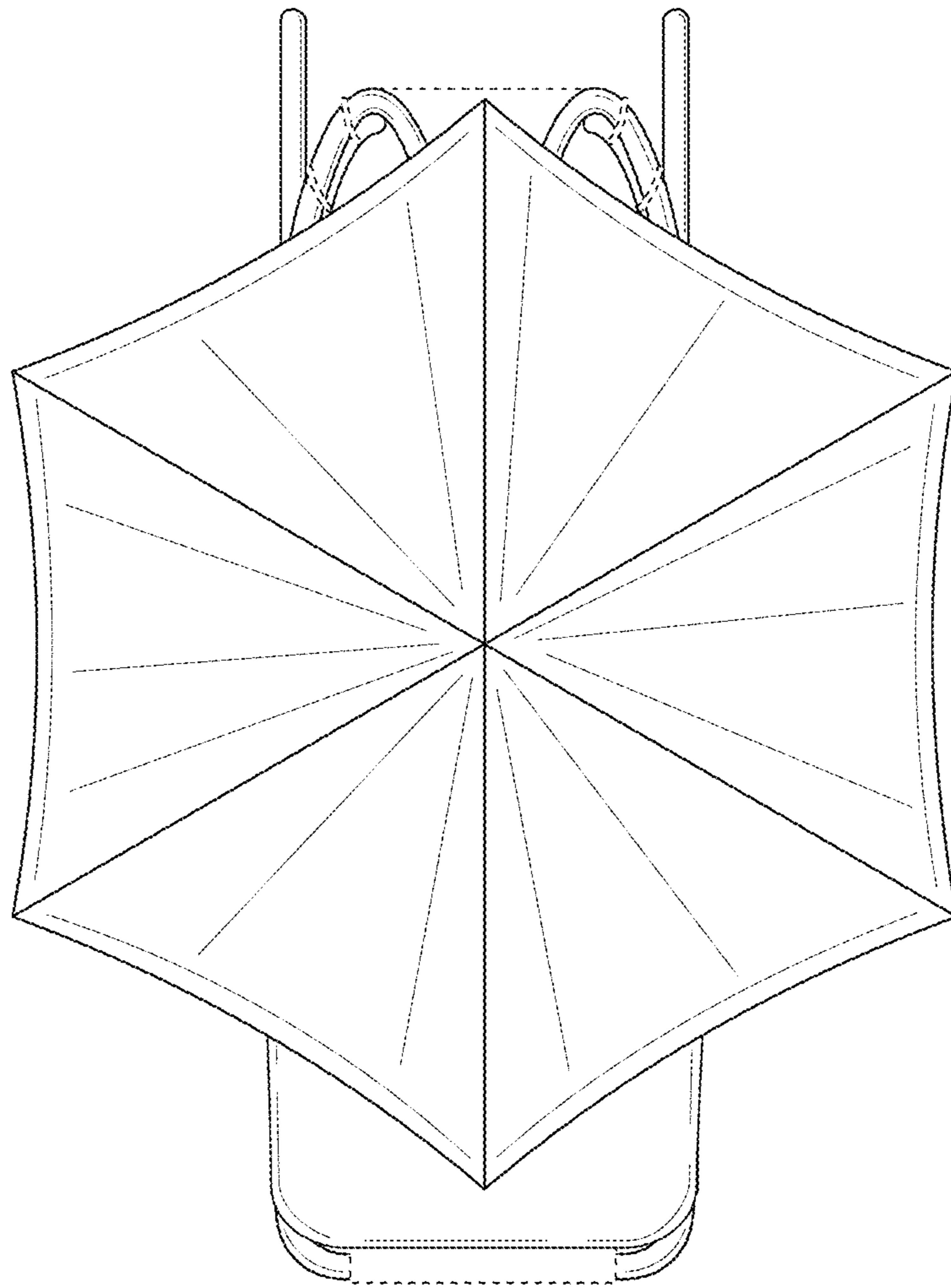


Fig. 5

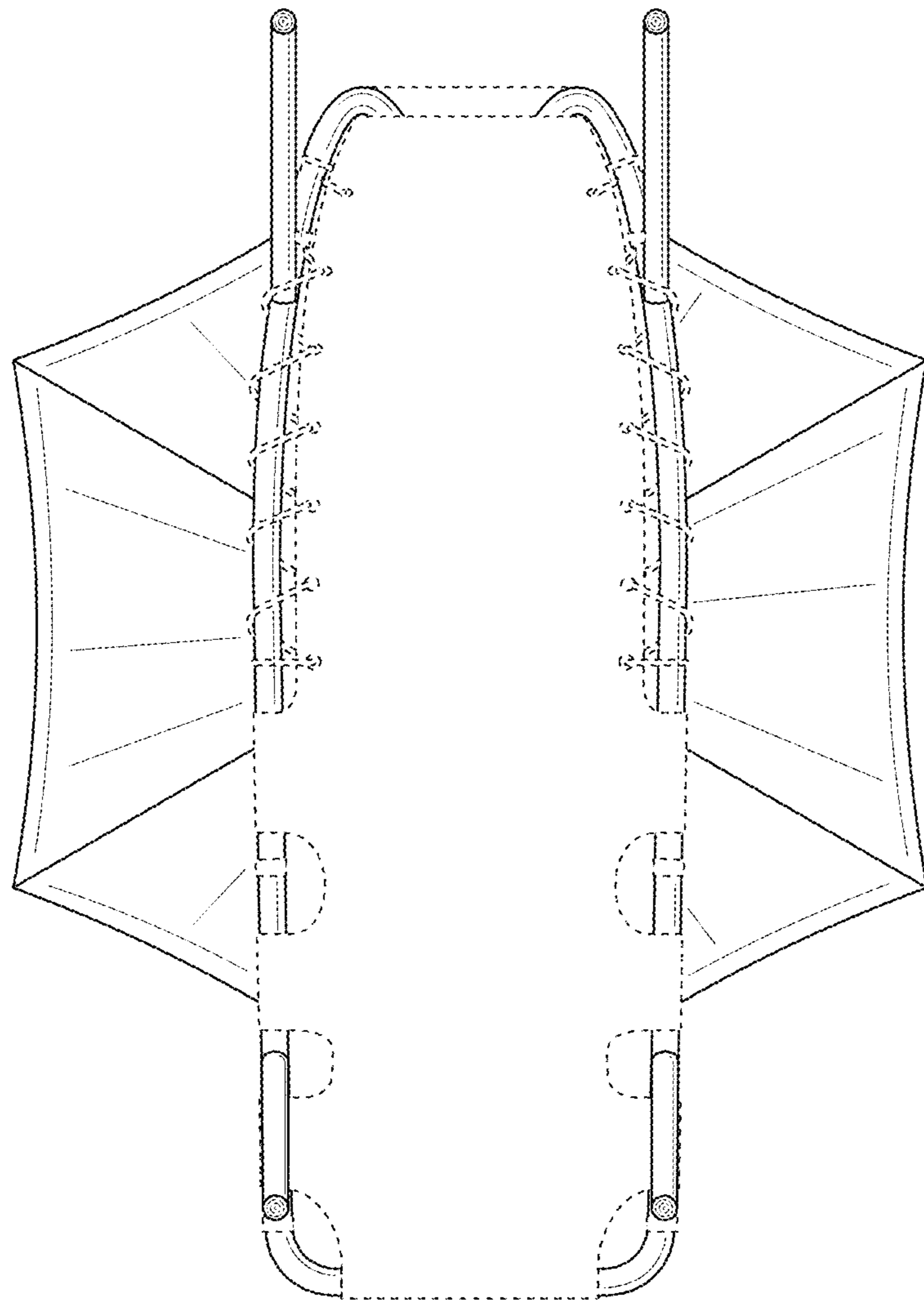


Fig. 6