



US00D774779S

(12) **United States Design Patent**
Uhlen et al.

(10) **Patent No.:** **US D774,779 S**
(45) **Date of Patent:** **** Dec. 27, 2016**

(54) **COSMETIC APPLICATOR**
(71) Applicant: **Albea Services**, Gennevilliers (FR)
(72) Inventors: **Pauline Uhlen**, Levallois-Perret (FR);
Yann Crapet, Pontoise (FR)
(73) Assignee: **Albea Services**, Gennevilliers (FR)
(**) Term: **15 Years**
(21) Appl. No.: **29/533,528**
(22) Filed: **Jul. 17, 2015**
(51) **LOC (10) Cl.** **04-02**
(52) **U.S. Cl.**
USPC **D4/128**
(58) **Field of Classification Search**
USPC D4/128, 129, 131, 136, 138, 108, 109, 119;
D32/35, 51; 15/104.5, 104.16, 104.2,
15/104.31, 104.32, 164, 165, 206;
D28/65; D7/682; 452/298, 458
CPC A46B 7/026; A46B 5/005; A46B 17/04;
A46B 2200/1046
See application file for complete search history.

D598,200 S * 8/2009 DiAntonio D4/116
D664,361 S * 7/2012 Edmondson D4/128
D708,856 S * 7/2014 Rutigliano D4/128
D757,445 S * 5/2016 Rutigliano D4/128
2009/0065020 A1* 3/2009 Butcher A45D 40/265
132/218

* cited by examiner

Primary Examiner — Austin Murphy
(74) *Attorney, Agent, or Firm* — Morrison & Foerster
LLP

(56) **References Cited**

U.S. PATENT DOCUMENTS

D550,460 S * 9/2007 Dunn D4/128
D593,331 S * 6/2009 Berhault D4/128

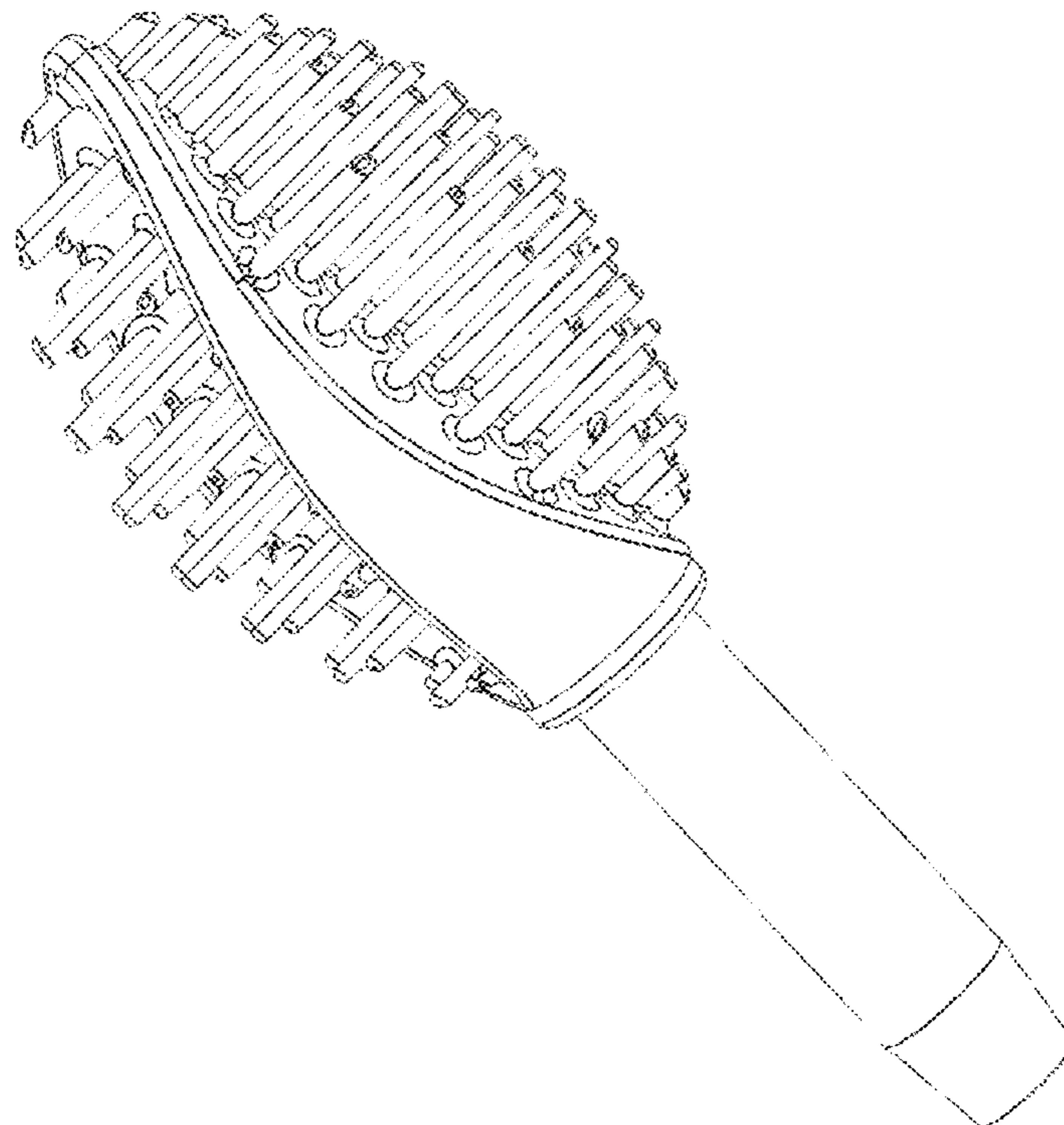
(57) **CLAIM**

We claim the ornamental design for a cosmetic applicator, as shown and described.

DESCRIPTION

FIG. 1 is a perspective view of a cosmetic applicator showing our new design;
FIG. 2 is a bottom view thereof;
FIG. 3 is a top view thereof;
FIG. 4 is a rear view thereof;
FIG. 5 is a side view thereof;
FIG. 6 is a front view thereof; and,
FIG. 7 is a side view of the opposite side of FIG. 5.

1 Claim, 7 Drawing Sheets



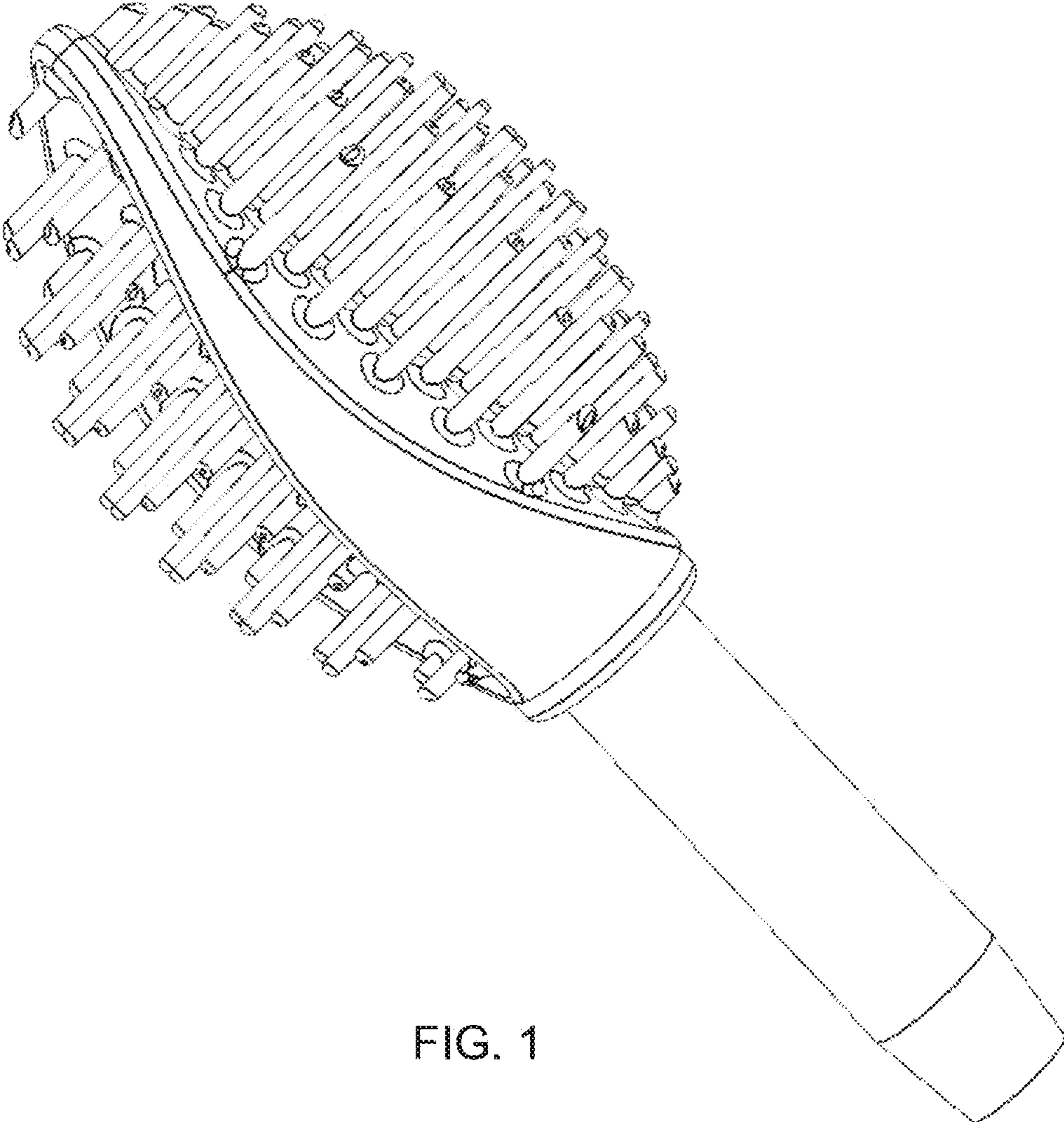


FIG. 1

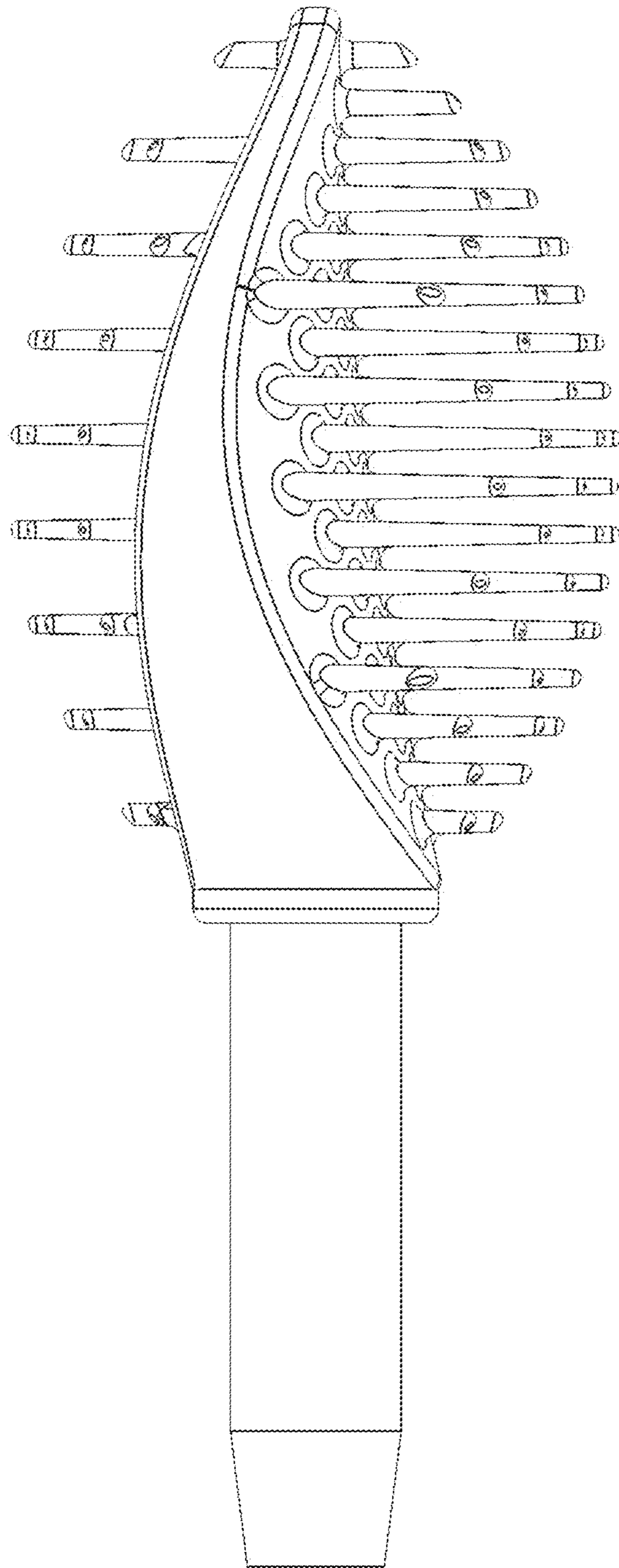


FIG. 2

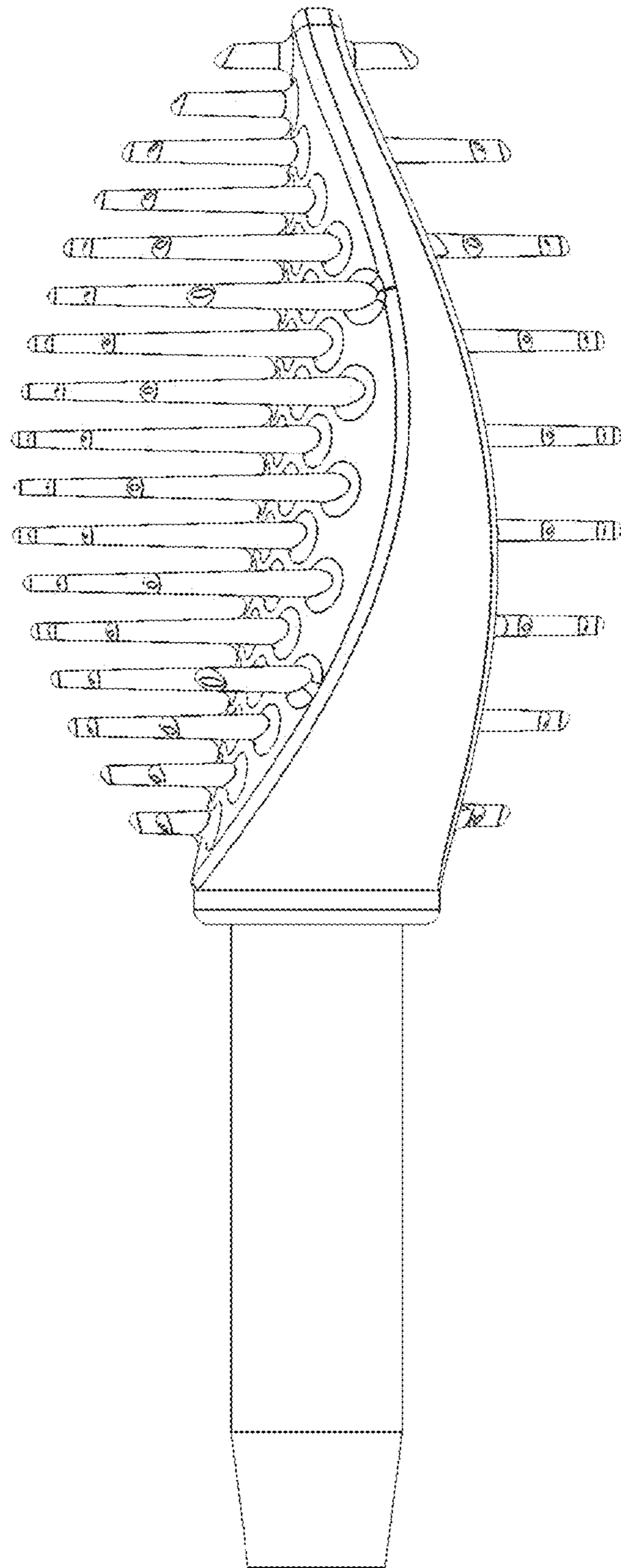


FIG. 3

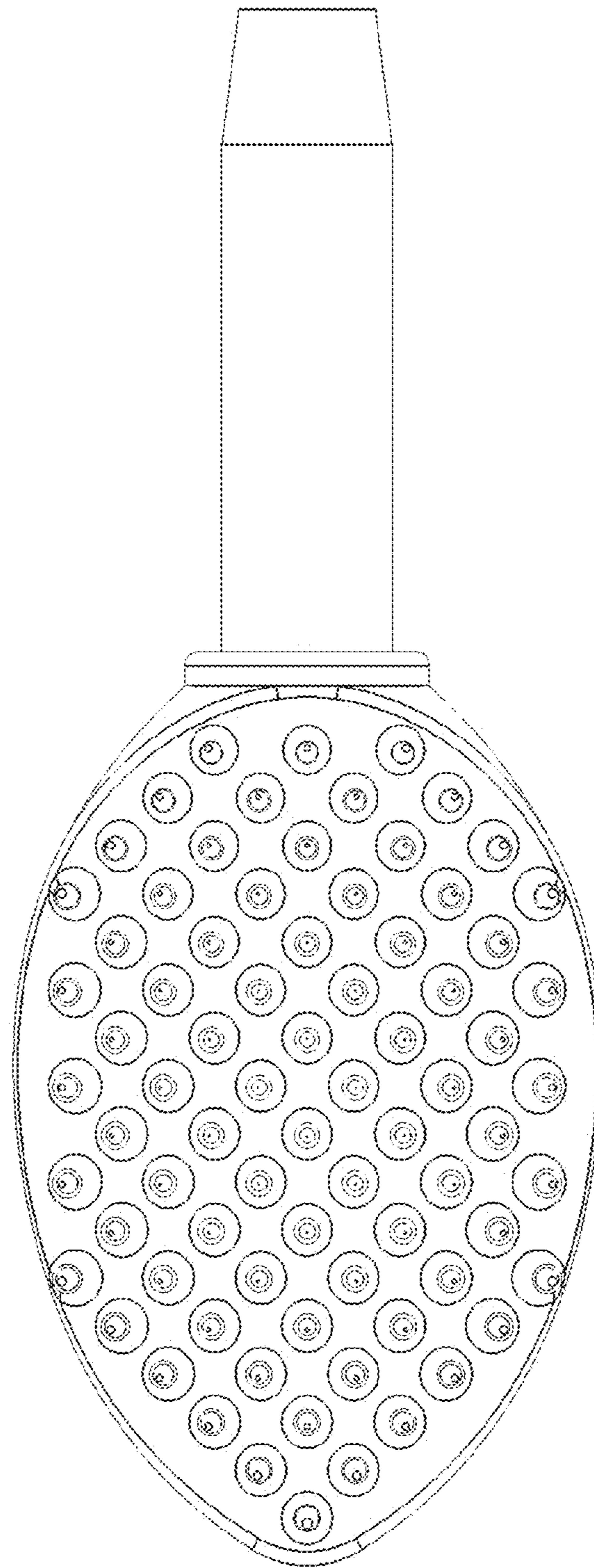


FIG. 4

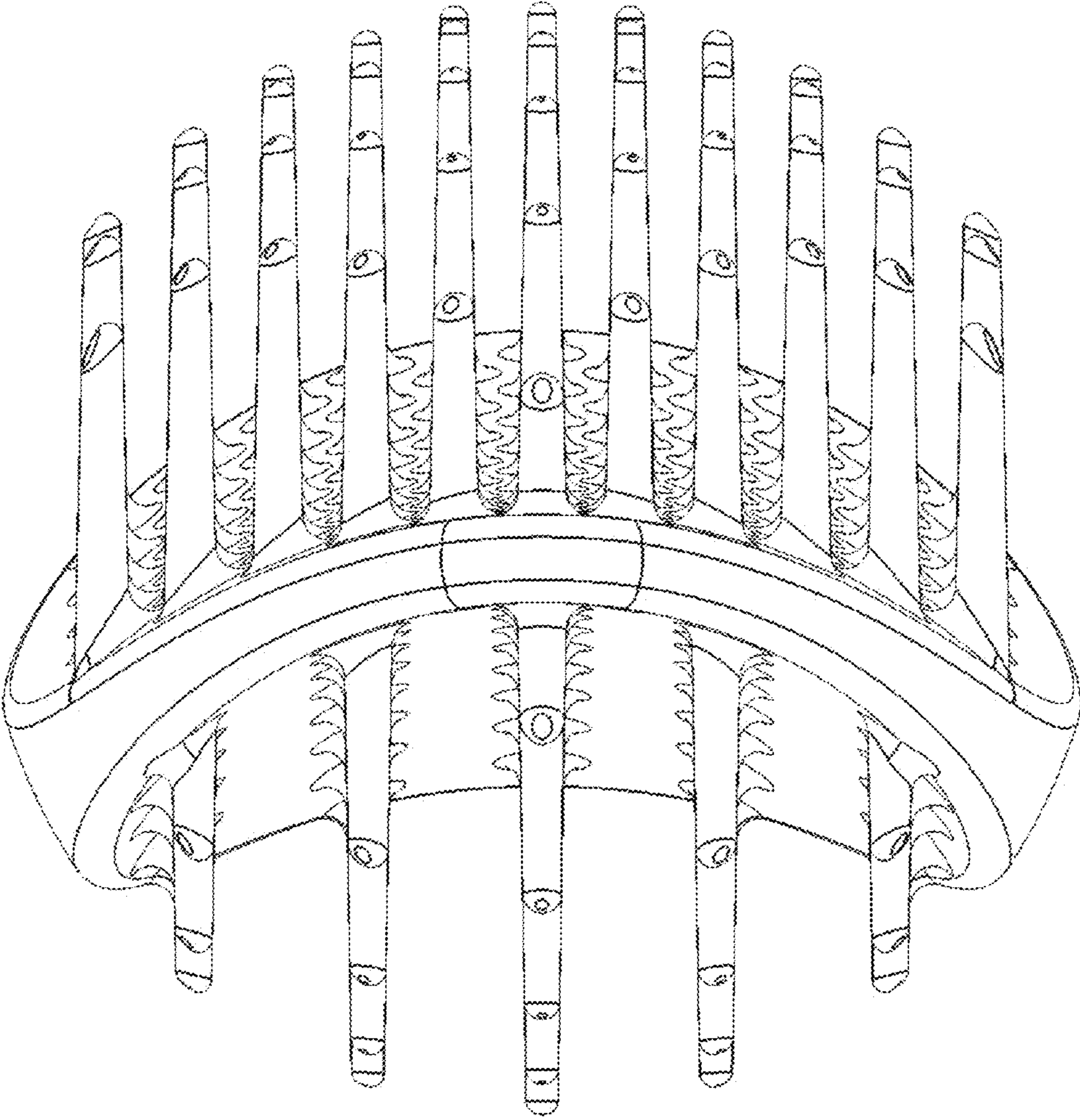


FIG. 5

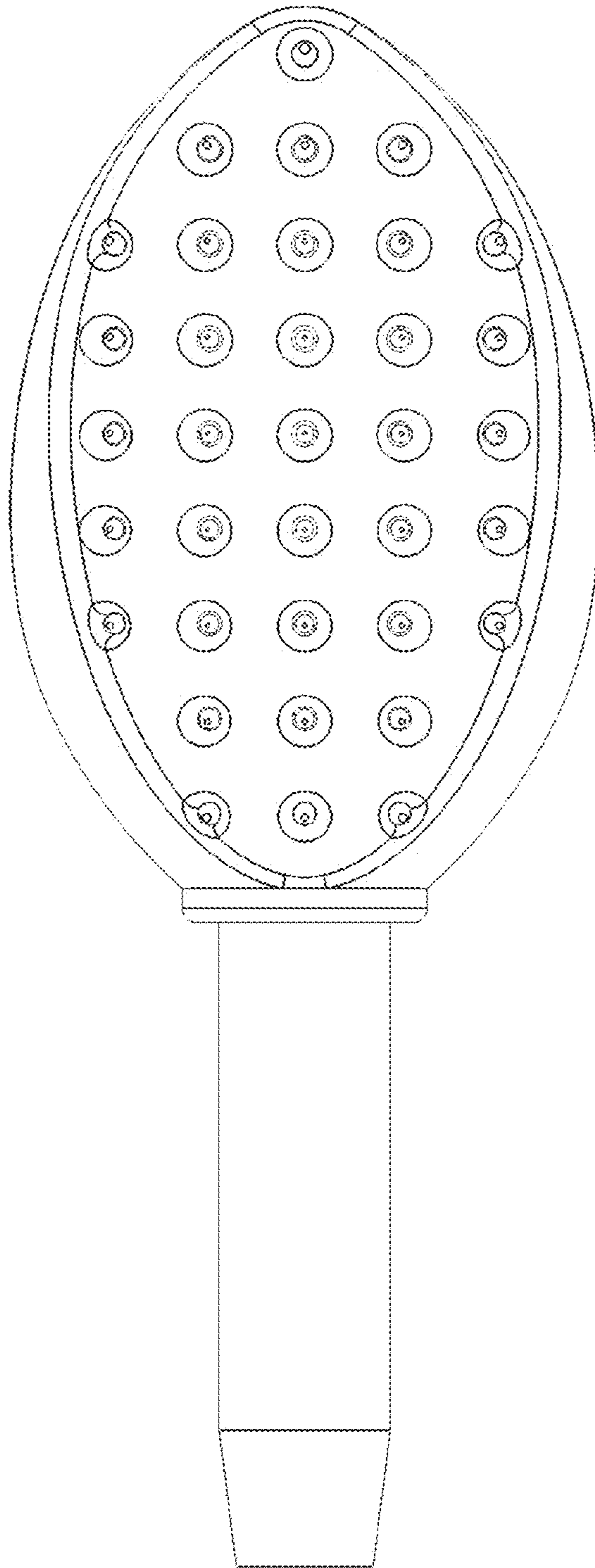


FIG. 6

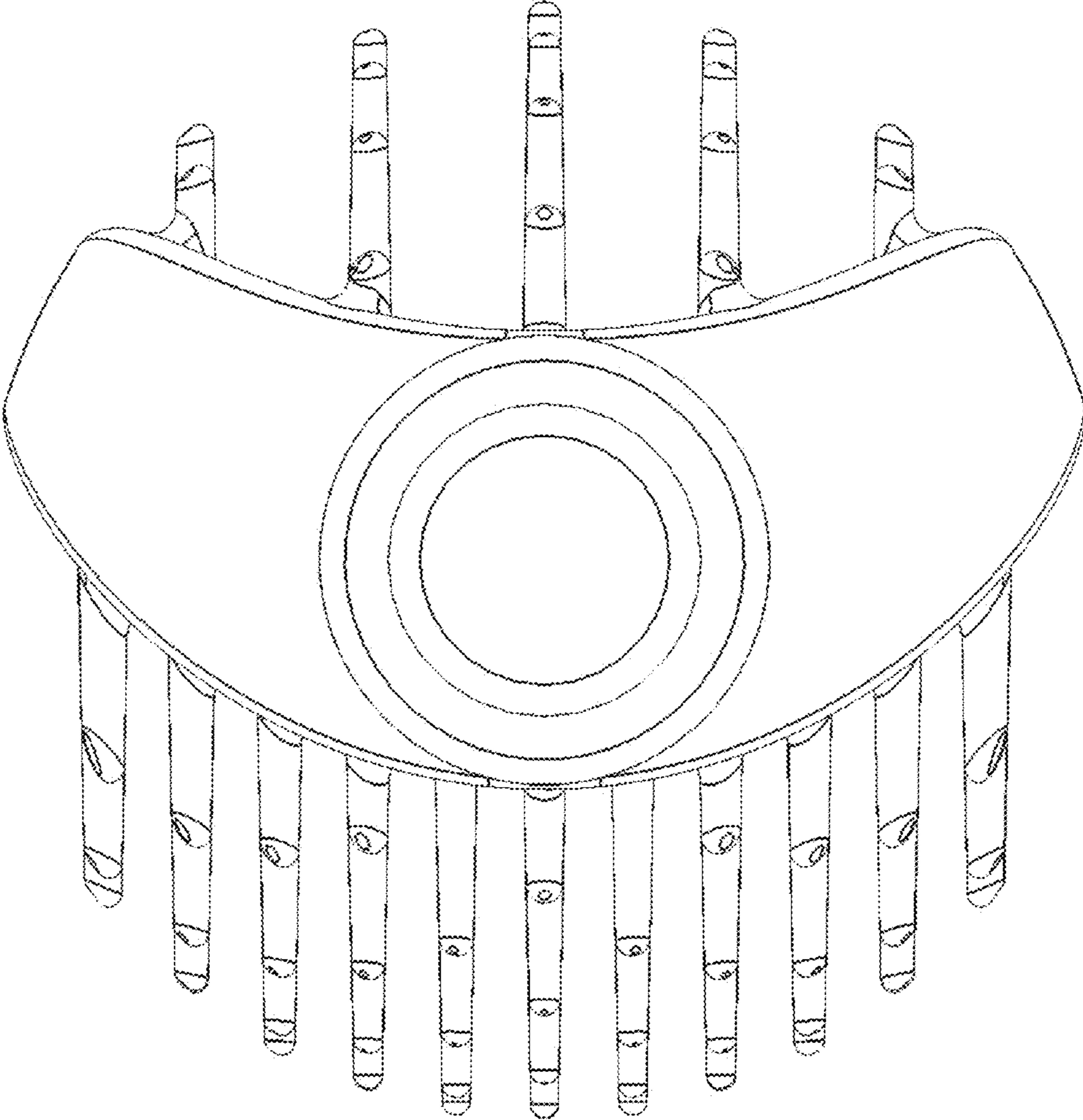


FIG. 7

UNITED STATES PATENT AND TRADEMARK OFFICE
CERTIFICATE OF CORRECTION

PATENT NO. : D774,779 S
APPLICATION NO. : 29/533528
DATED : December 27, 2016
INVENTOR(S) : Pauline Uhlen et al.

Page 1 of 1

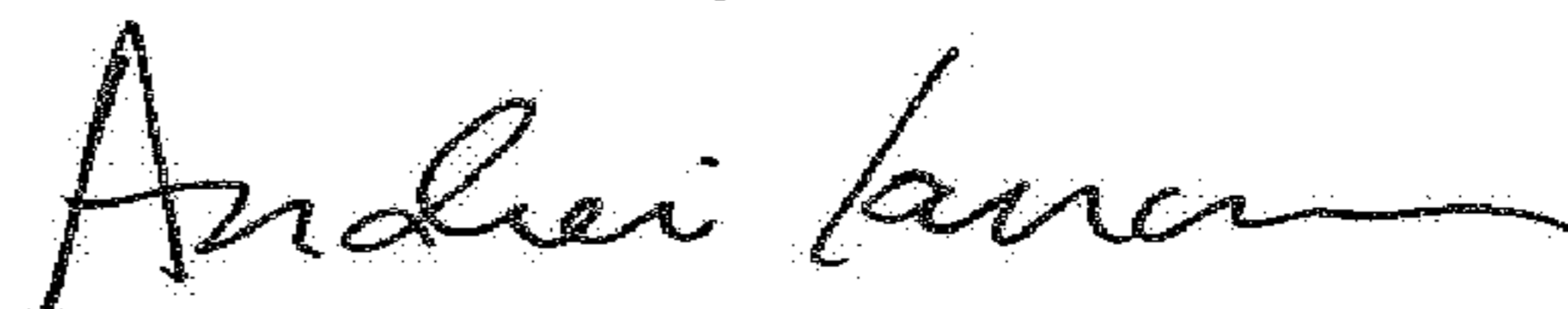
It is certified that error appears in the above-identified patent and that said Letters Patent is hereby corrected as shown below:

On the Title Page

Please insert the following:

--(30) Foreign Application Priority Data
January 19, 2015 (EM) 002615914-0002--

Signed and Sealed this
Twelfth Day of June, 2018



Andrei Iancu
Director of the United States Patent and Trademark Office