



US00D774773S

(12) **United States Design Patent** (10) **Patent No.:** **US D774,773 S**  
**Sedic** (45) **Date of Patent:** **\*\* Dec. 27, 2016**

(54) **TOOTHBRUSH HEAD**  
(71) Applicant: **Filip Sedic**, Stockholm (SE)  
(72) Inventor: **Filip Sedic**, Stockholm (SE)  
(\*\*) Term: **15 Years**

2005/0241091 A1 11/2005 Foster et al.  
2006/0064833 A1 3/2006 Jacobs  
2011/0151404 A1 6/2011 Dombrowski  
2014/0261538 A1 9/2014 Elseri  
2015/0173502 A1 6/2015 Sedic  
2016/0175154 A1\* 6/2016 Olson ..... A61F 11/006  
606/162

(21) Appl. No.: **29/565,947**  
(22) Filed: **May 25, 2016**

**FOREIGN PATENT DOCUMENTS**

EP 2328437 B1 \* 4/2016 ..... A46B 9/04  
FR 2909532 A1 \* 6/2008 ..... A45D 40/265

**Related U.S. Application Data**

(62) Division of application No. 29/531,561, filed on Jun. 26, 2015.  
(51) **LOC (10) Cl.** ..... **04-02**  
(52) **U.S. Cl.**  
USPC ..... **D4/101**  
(58) **Field of Classification Search**  
USPC ..... D4/100-102, 104-118, 124-125,  
D4/127-132, 136, 138  
CPC ..... A46B 5/00; A46B 5/0004; A46B 5/0008;  
A46B 5/0012; A46B 5/002; A46B 5/0095;  
A46B 9/04; A46B 11/0006; A46B  
2200/1066; A61B 17/24; A61C 17/16  
See application file for complete search history.

\* cited by examiner

*Primary Examiner* — Catherine Oliver  
*Assistant Examiner* — Rebekah A Caruso  
(74) *Attorney, Agent, or Firm* — Fenwick & West LLP

(56) **References Cited**

**U.S. PATENT DOCUMENTS**

D402,116 S 12/1998 Magloff et al.  
D536,452 S 2/2007 Geiberger et al.  
D578,772 S 10/2008 Provost et al.  
D617,563 S 6/2010 Wagner  
D669,687 S 10/2012 Heil et al.  
D693,581 S 11/2013 Ballmaier et al.  
D750,894 S 3/2016 Huy  
9,402,461 B2\* 8/2016 Brik ..... A46B 9/025

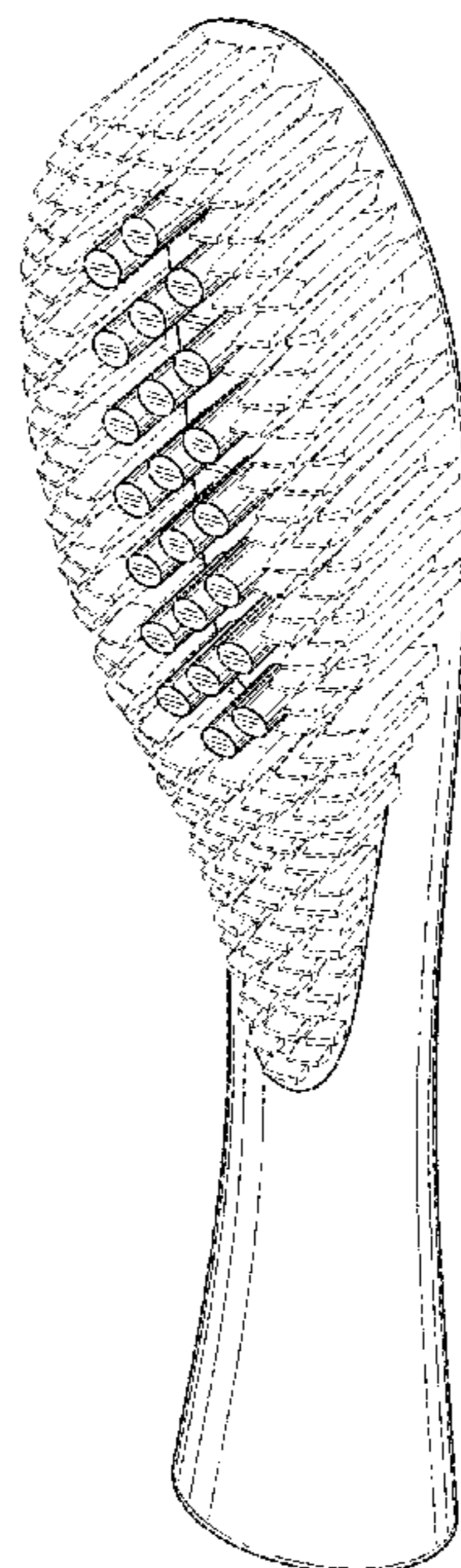
(57) **CLAIM**

I claim the ornamental design for a toothbrush head, as shown and described.

**DESCRIPTION**

FIG. 1 is a perspective view of a toothbrush head.  
FIG. 2 is a front view of the toothbrush head.  
FIG. 3 is a back view of the toothbrush head.  
FIG. 4 is a right side view of the toothbrush head.  
FIG. 5 is a left side view of the toothbrush head.  
FIG. 6 is a top view of the toothbrush head; and,  
FIG. 7 is a bottom view of the toothbrush head.  
The broken lines depict the portions of the toothbrush head that form no part of the claimed design and are for illustrative purposes only.

**1 Claim, 7 Drawing Sheets**



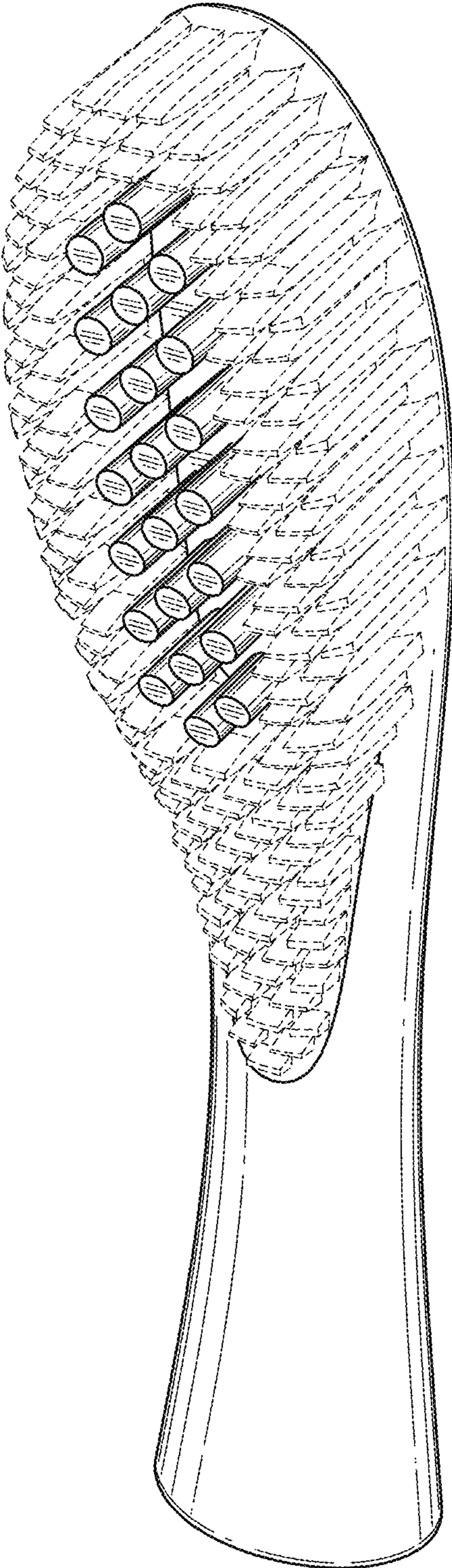


FIG. 1

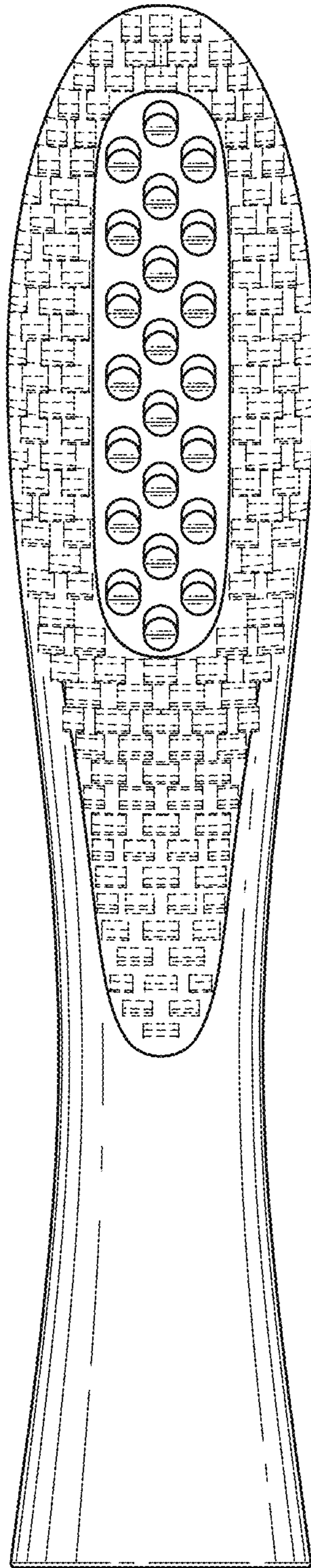


FIG. 2

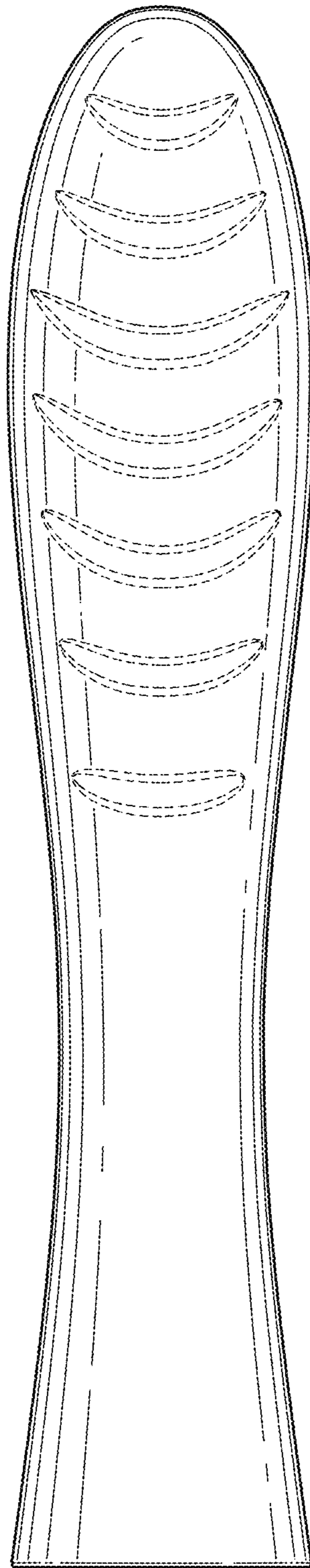


FIG. 3



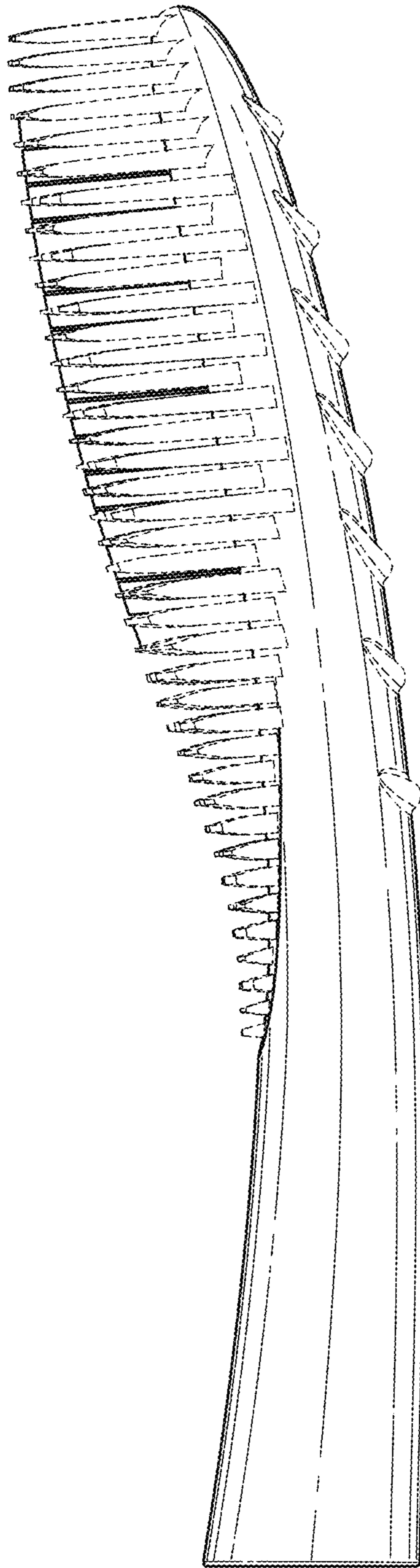


FIG. 4

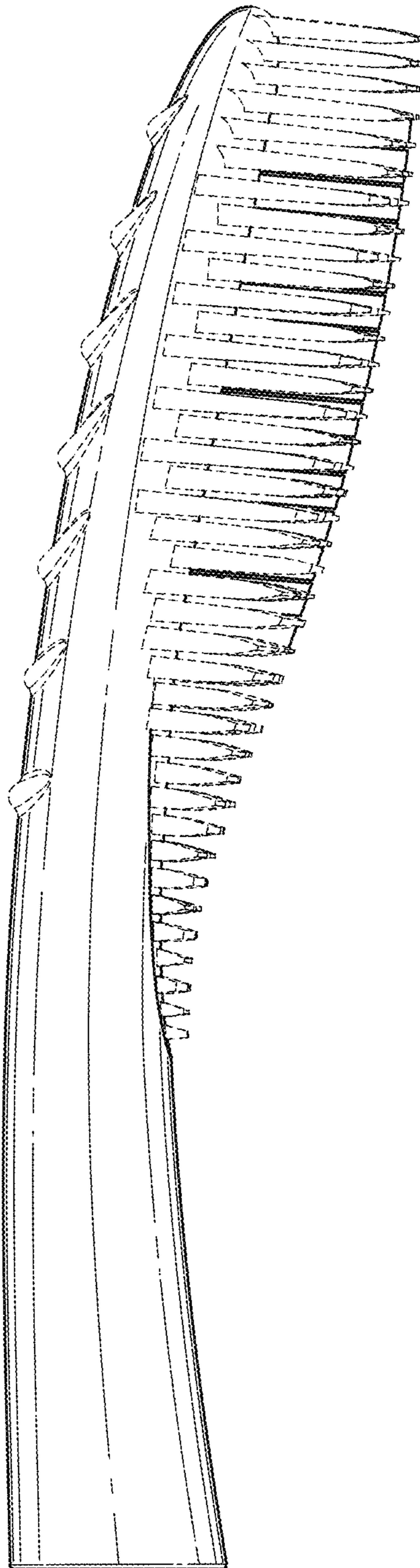


FIG. 5

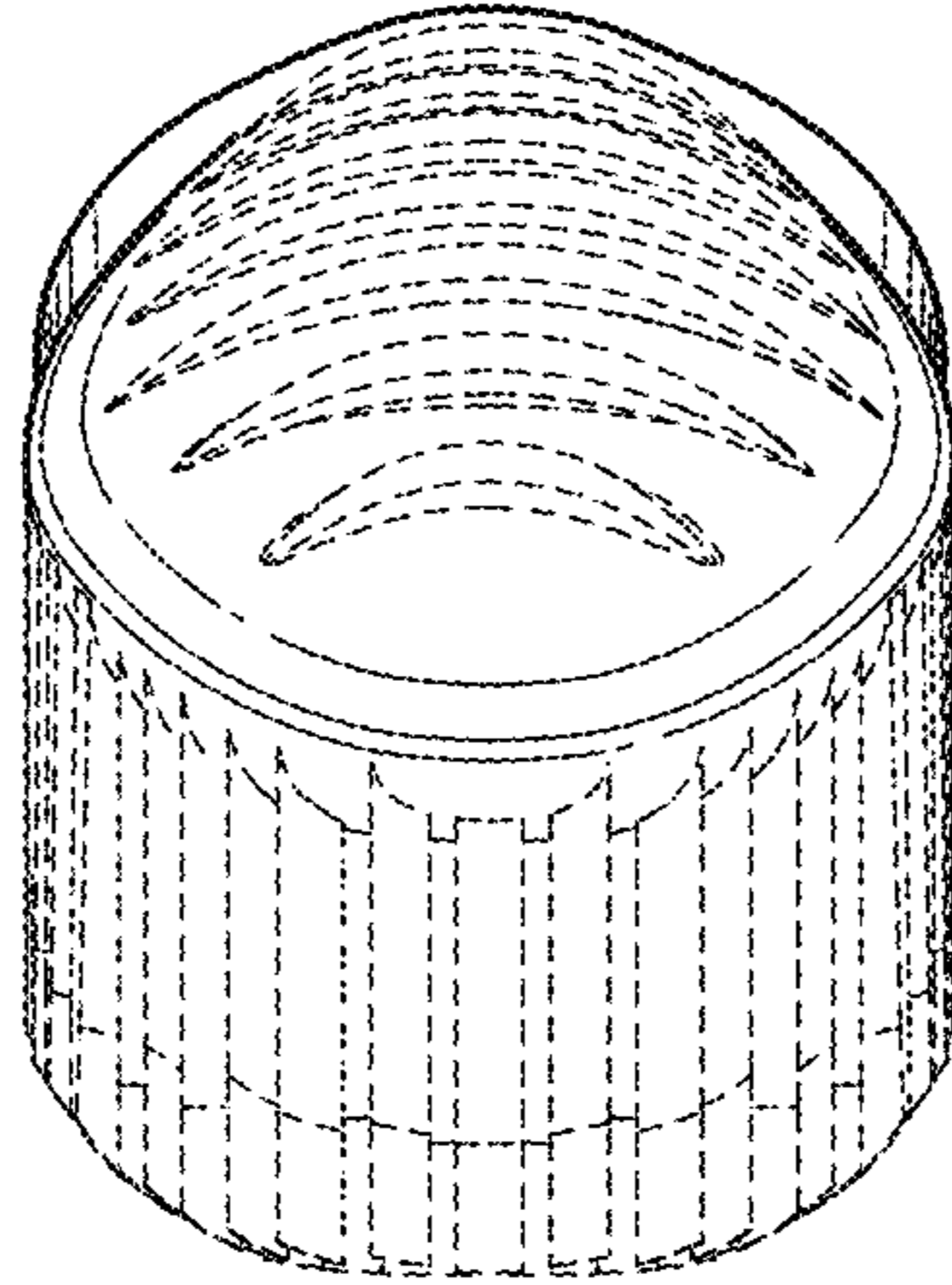


FIG. 6

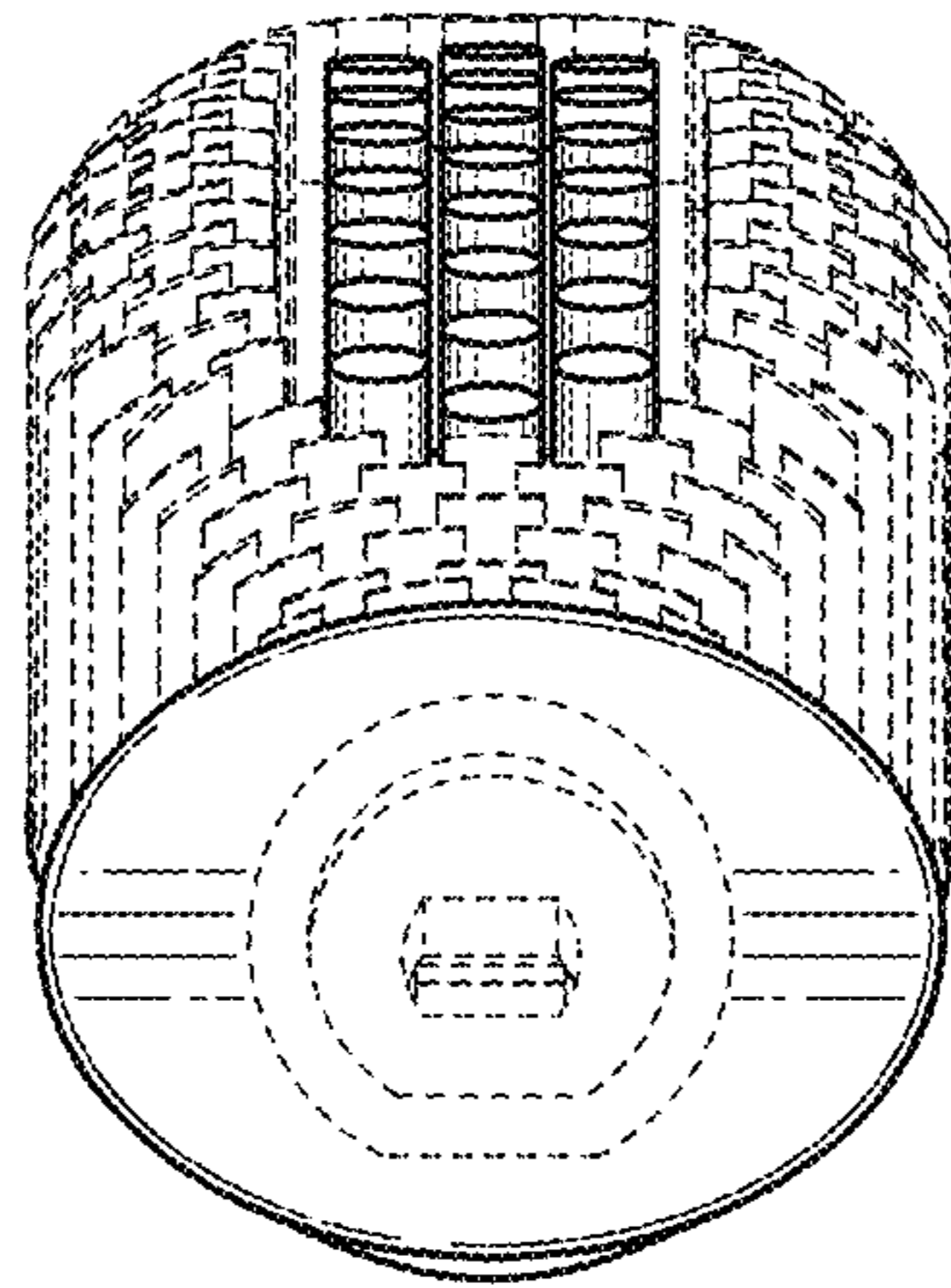


FIG. 7