



US00D774772S

(12) **United States Design Patent** (10) **Patent No.:** **US D774,772 S**
Sedic (45) **Date of Patent:** **** Dec. 27, 2016**

(54) **TOOTHBRUSH HEAD**

(71) Applicant: **Filip Sedic**, Stockholm (SE)

(72) Inventor: **Filip Sedic**, Stockholm (SE)

(**) Term: **15 Years**

(21) Appl. No.: **29/565,946**

(22) Filed: **May 25, 2016**

Related U.S. Application Data

(62) Division of application No. 29/531,561, filed on Jun. 26, 2015.

(51) **LOC (10) Cl.** **04-02**

(52) **U.S. Cl.**
USPC **D4/101**

(58) **Field of Classification Search**

USPC D4/100–102, 104–118, 124–125,
D4/127–132, 136, 138

CPC A46B 5/00; A46B 5/0004; A46B 5/0008;
A46B 5/0012; A46B 5/002; A46B 5/0095;
A46B 9/04; A46B 11/0006; A46B

2200/1066; A61B 17/24; A61C 17/16
See application file for complete search history.

(56) **References Cited**

U.S. PATENT DOCUMENTS

D402,116 S 12/1998 Magloff et al.
D536,452 S 2/2007 Geiberger et al.
D578,772 S 10/2008 Provost et al.
D617,563 S 6/2010 Wagner
D669,687 S 10/2012 Heil et al.

(Continued)

FOREIGN PATENT DOCUMENTS

EP 2328437 B1 * 4/2016 A46B 9/04
FR 2909532 A1 * 6/2008 A45D 40/265

Primary Examiner — Catherine Oliver
Assistant Examiner — Rebekah A Caruso

(74) *Attorney, Agent, or Firm* — Fenwick & West LLP

(57) **CLAIM**

I claim the ornamental design for a toothbrush head, as shown and described.

DESCRIPTION

FIG. 1 is a perspective view of a first embodiment of a toothbrush head.

FIG. 2 is a front view of the first embodiment of the toothbrush head.

FIG. 3 is a back view of the first embodiment of the toothbrush head.

FIG. 4 is a right side view of the first embodiment of the toothbrush head.

FIG. 5 is a left side view of the first embodiment of the toothbrush head.

FIG. 6 is a top view of the first embodiment of the toothbrush head.

FIG. 7 is a bottom view of the first embodiment of the toothbrush head.

FIG. 8 is a perspective view of a second embodiment of the toothbrush head.

FIG. 9 is a front view of the second embodiment of the toothbrush head.

FIG. 10 is a back view of the second embodiment of the toothbrush head.

FIG. 11 is a right side view of the second embodiment of the toothbrush head.

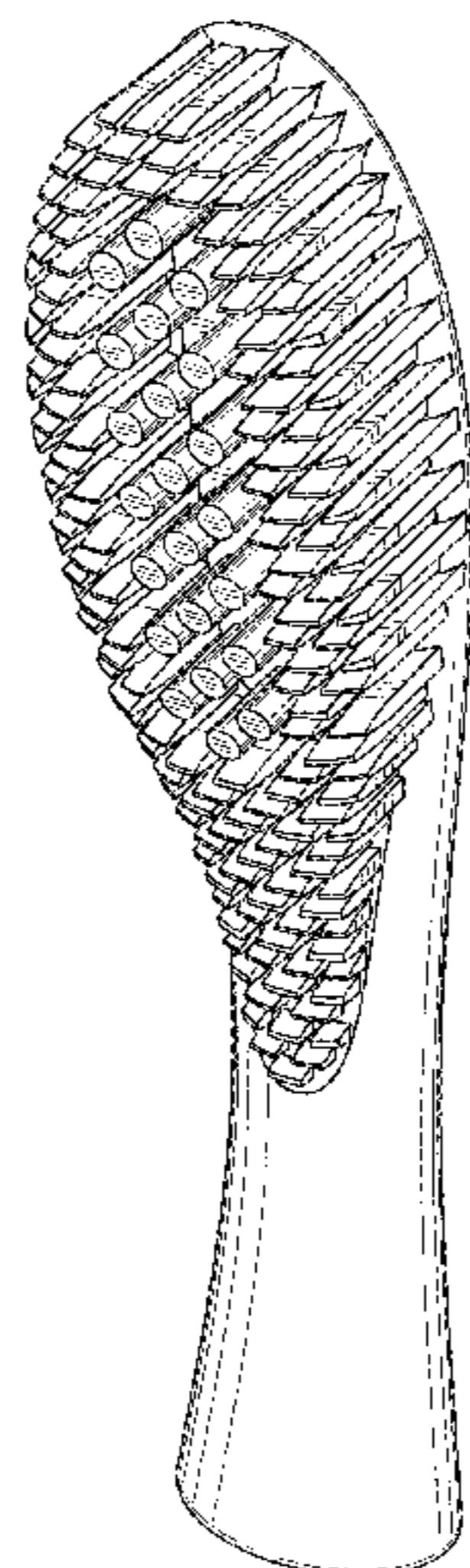
FIG. 12 is a left side view of the second embodiment of the toothbrush head.

FIG. 13 is a top view of the second embodiment of the toothbrush head; and,

FIG. 14 is a bottom view of the second embodiment of the toothbrush head.

The broken lines depict the portions of the toothbrush head that form no part of the claimed design and are for illustrative purposes only.

1 Claim, 14 Drawing Sheets



(56)

References Cited

U.S. PATENT DOCUMENTS

D693,581	S	11/2013	Ballmaier et al.	
D750,894	S	3/2016	Huy	
9,402,461	B2*	8/2016	Brik	A46B 9/025
2005/0241091	A1	11/2005	Foster et al.	
2006/0064833	A1	3/2006	Jacobs	
2011/0151404	A1	6/2011	Dombrowski	
2014/0261538	A1	9/2014	Elseri	
2015/0173502	A1	6/2015	Sedic	
2016/0175154	A1*	6/2016	Olson	A61F 11/006 606/162

* cited by examiner

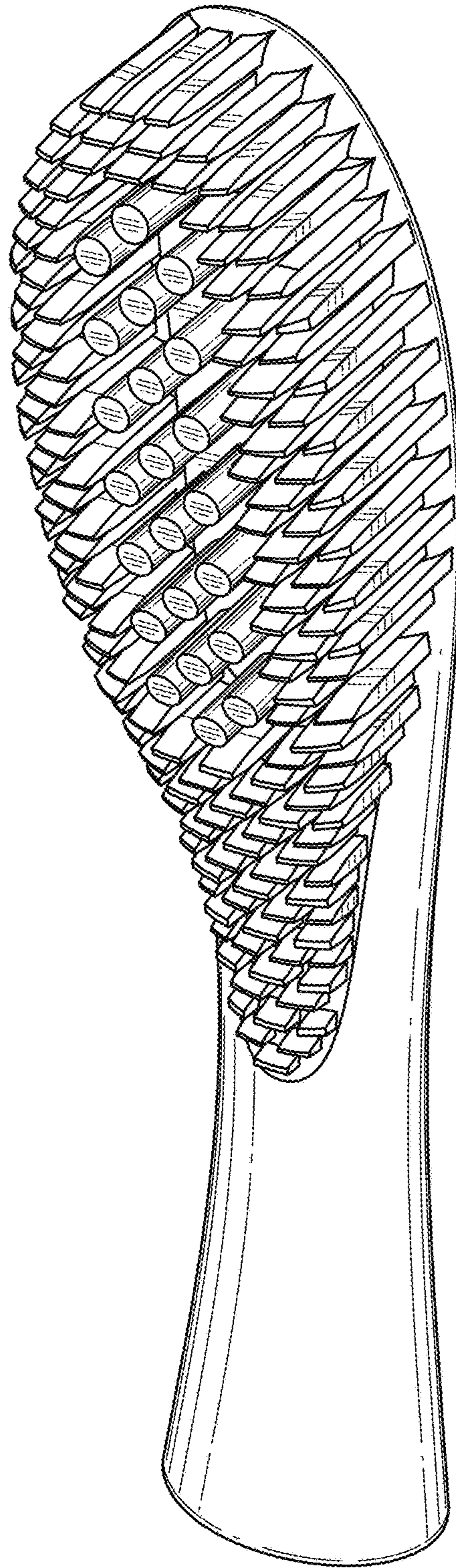


FIG. 1

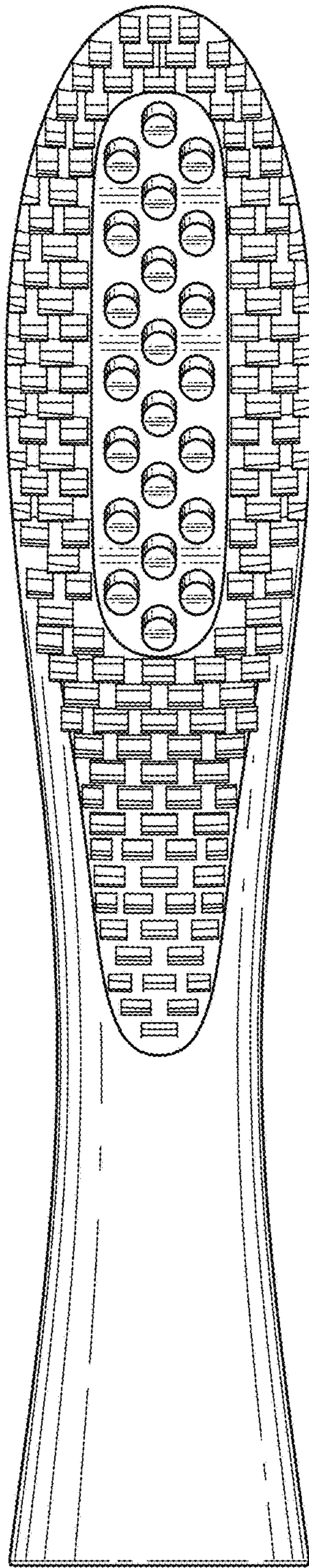


FIG. 2

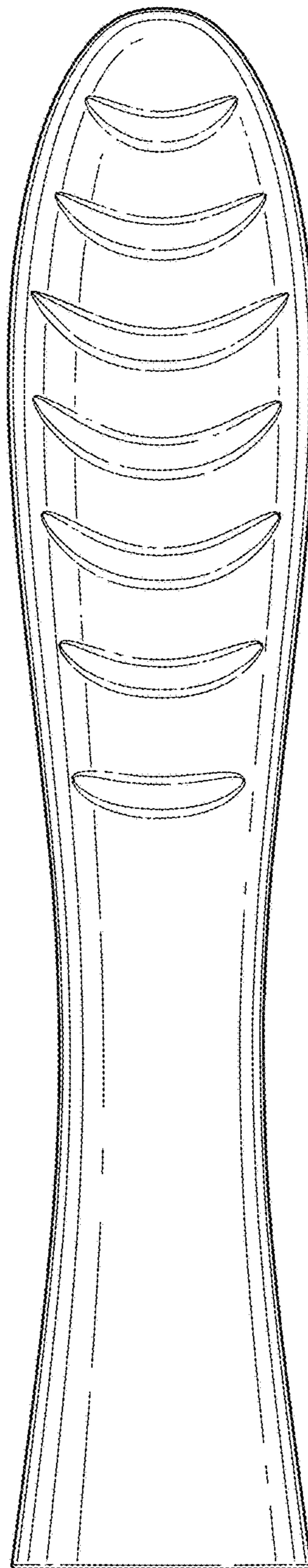


FIG. 3

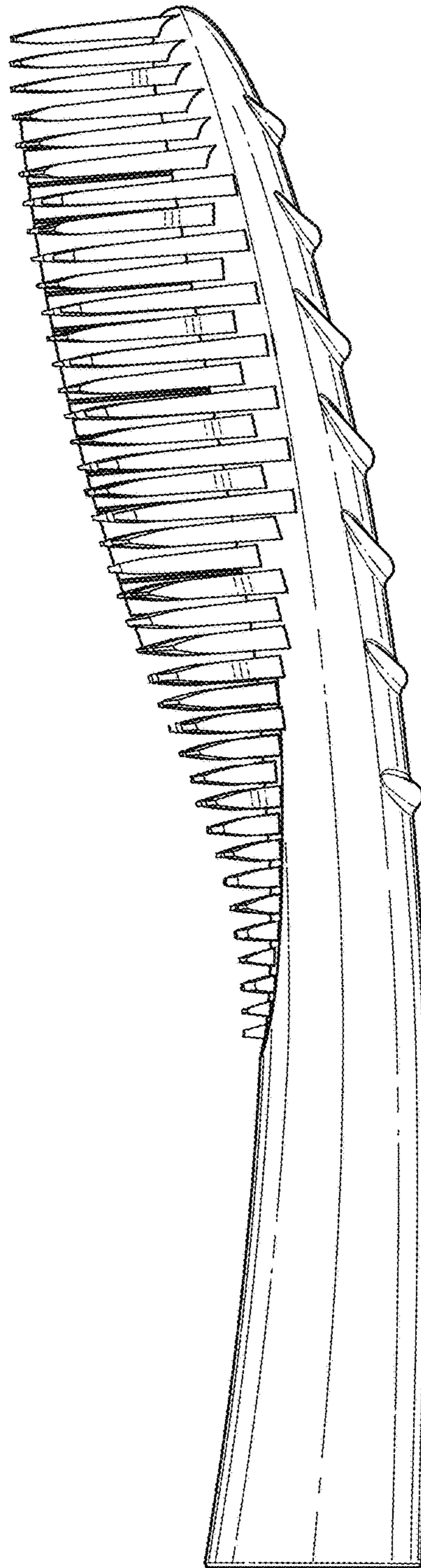


FIG. 4

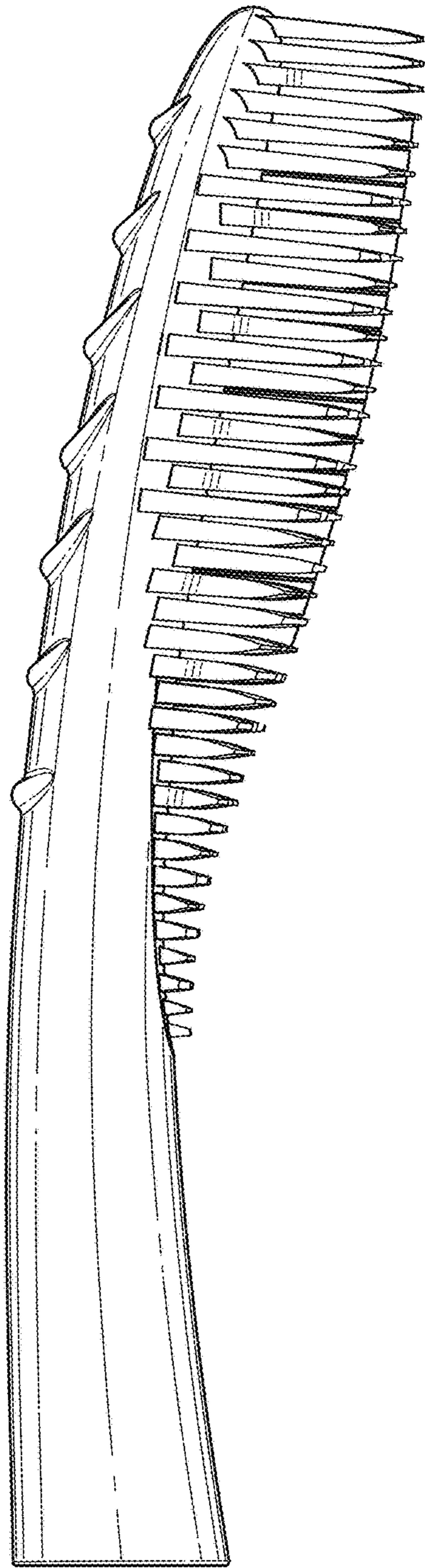


FIG. 5

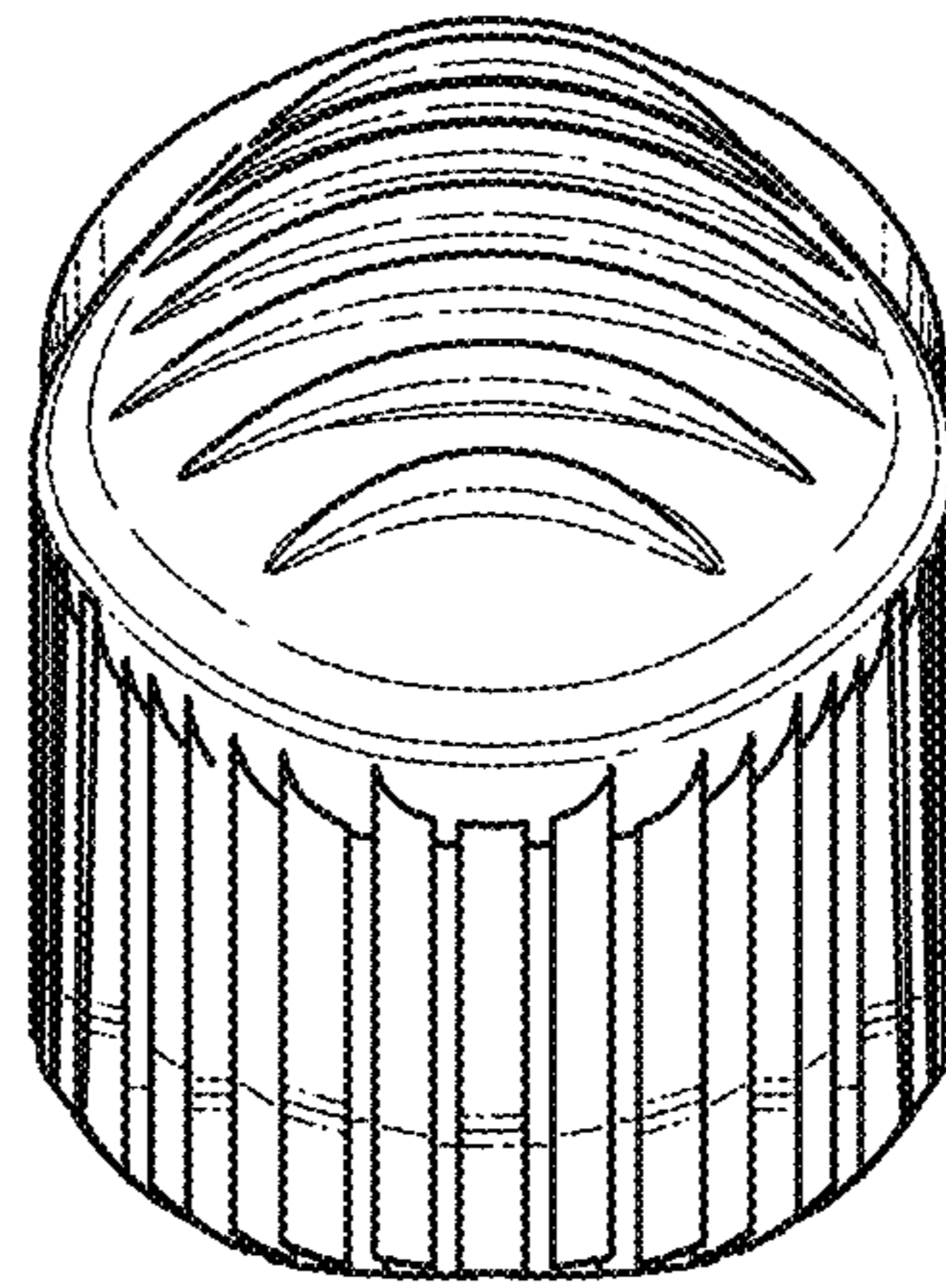


FIG. 6

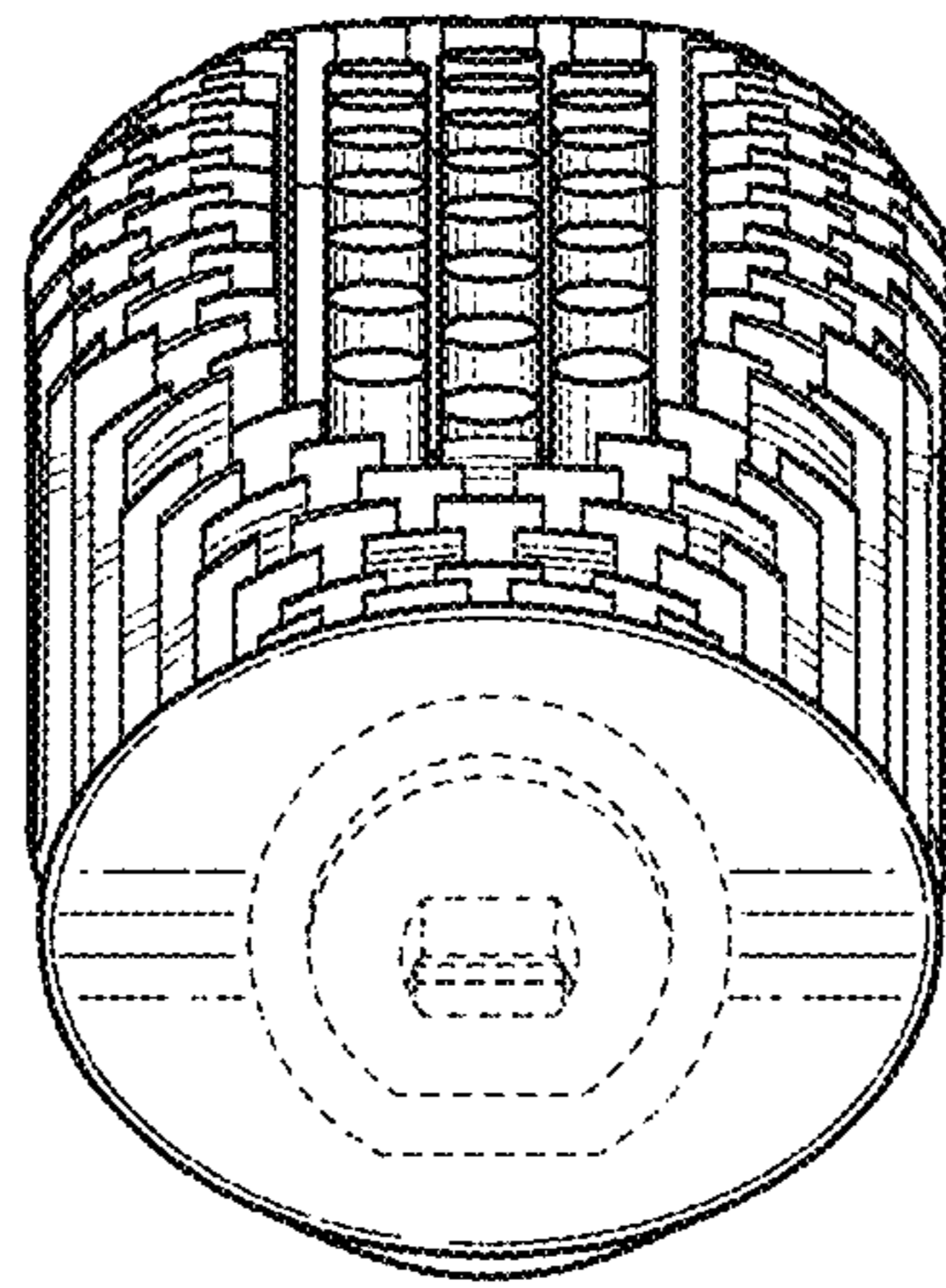


FIG. 7

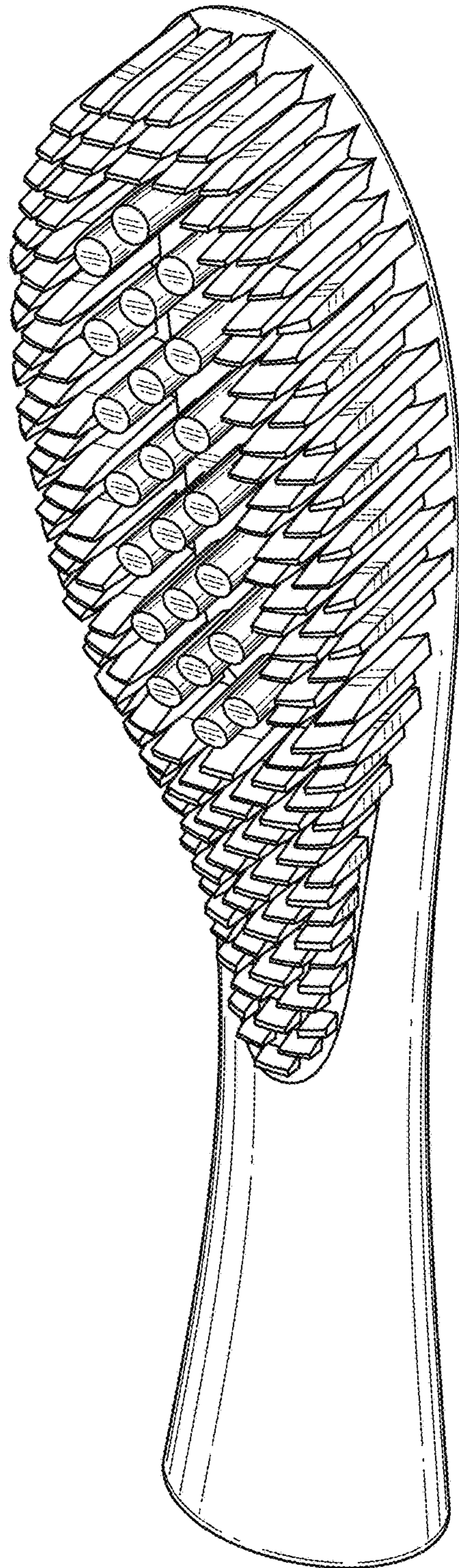


FIG. 8

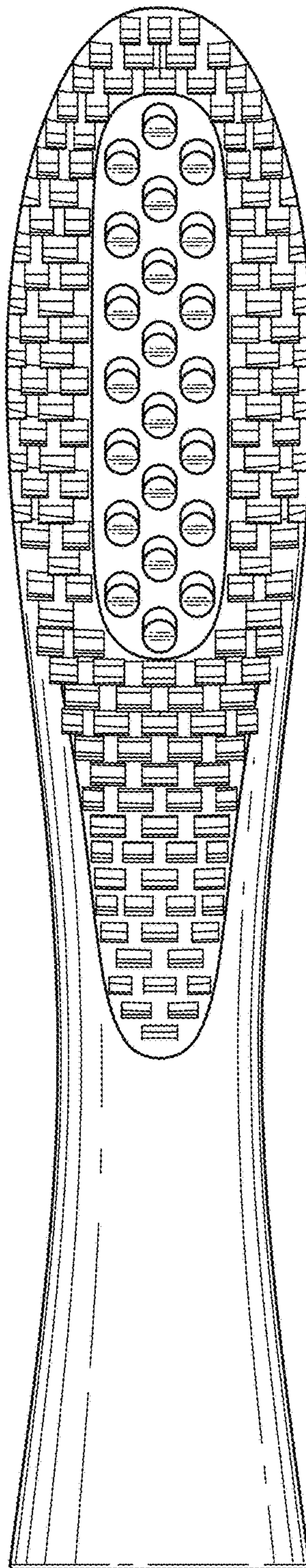


FIG. 9

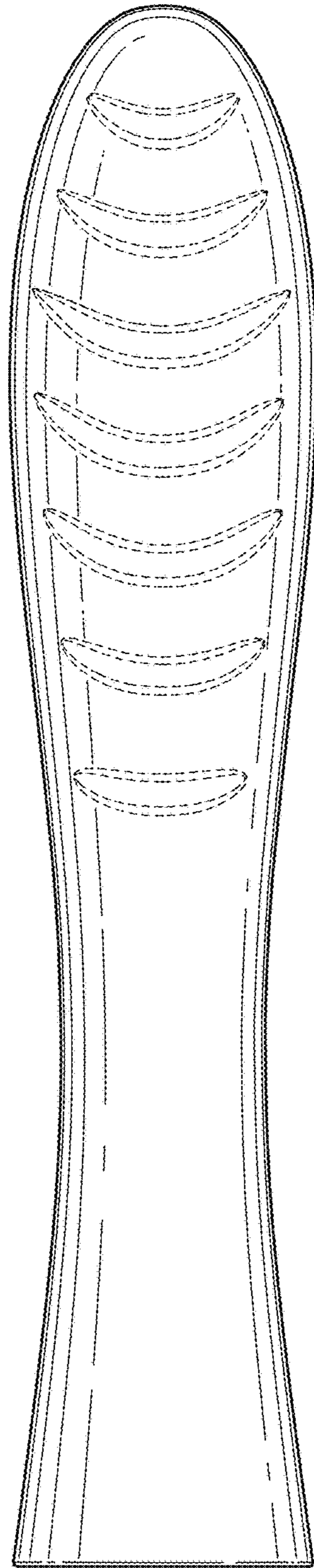


FIG. 10

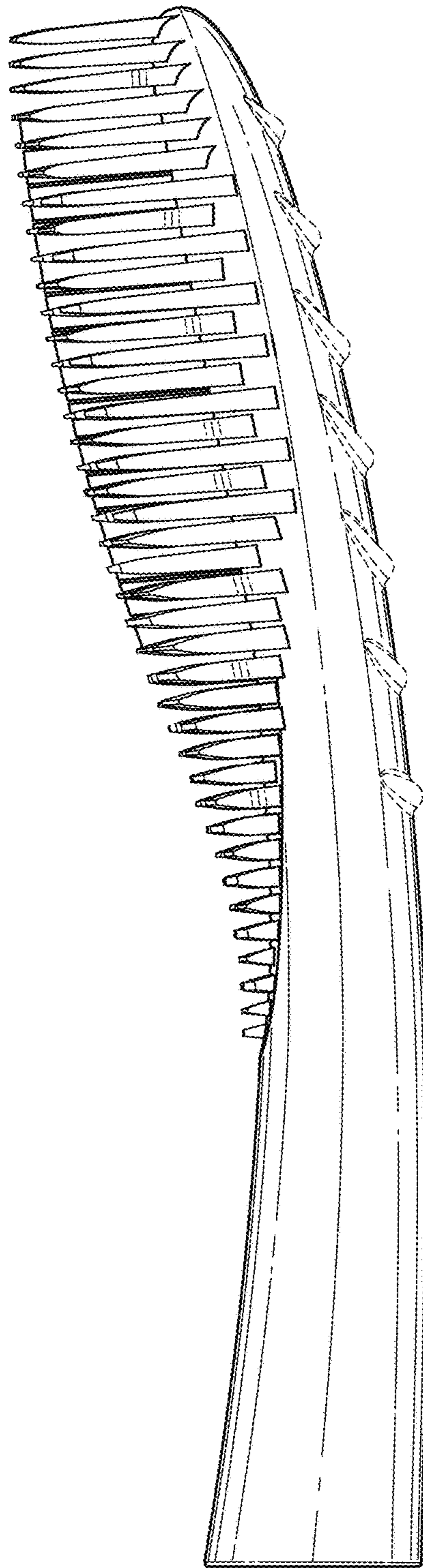


FIG. 11

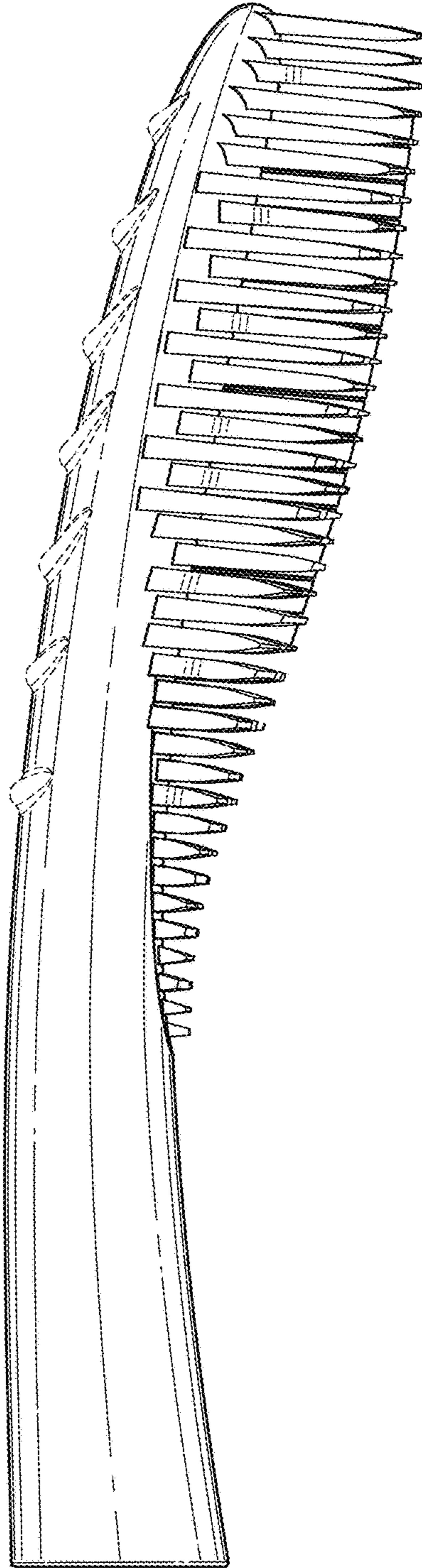


FIG. 12

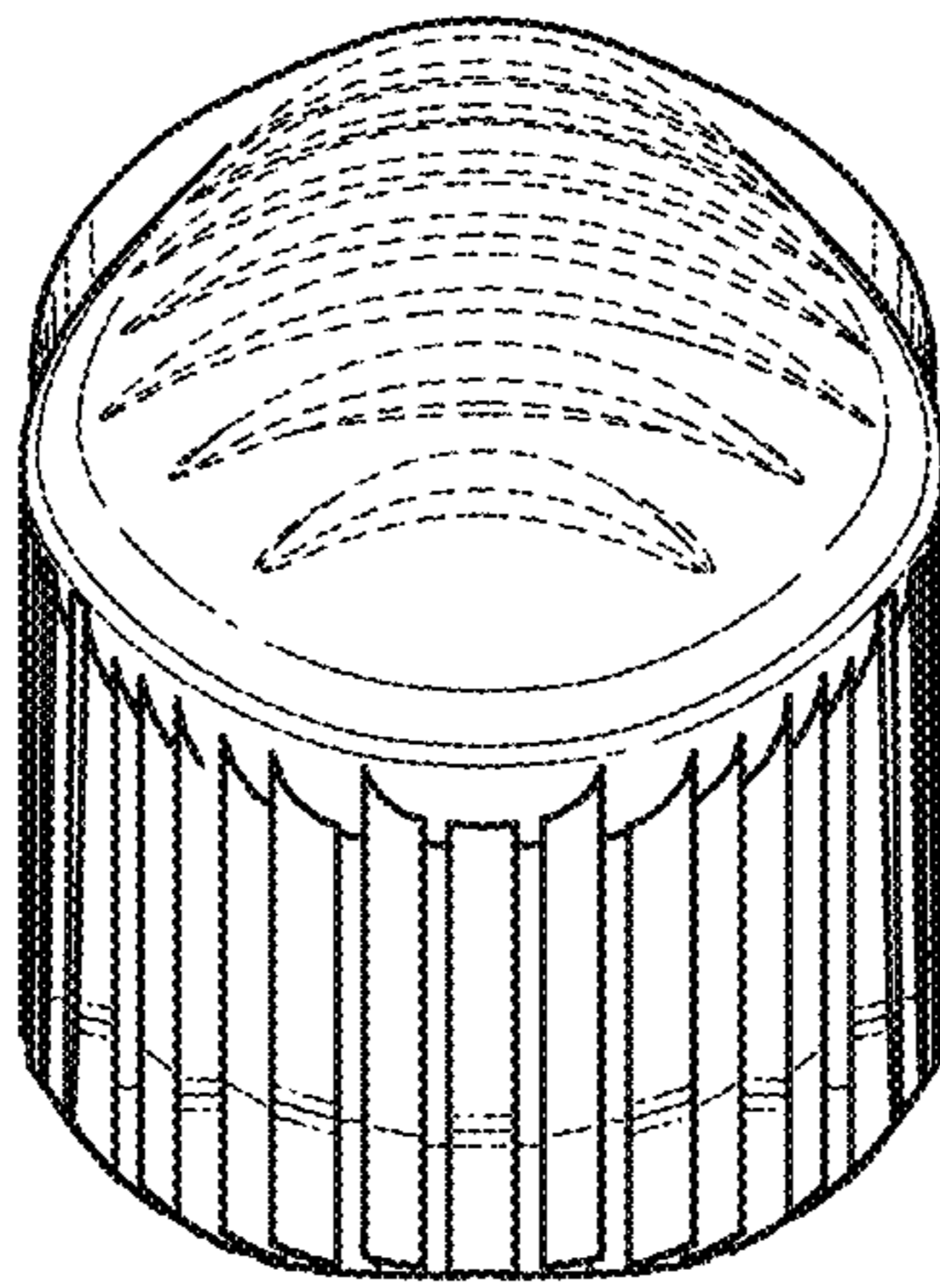


FIG. 13

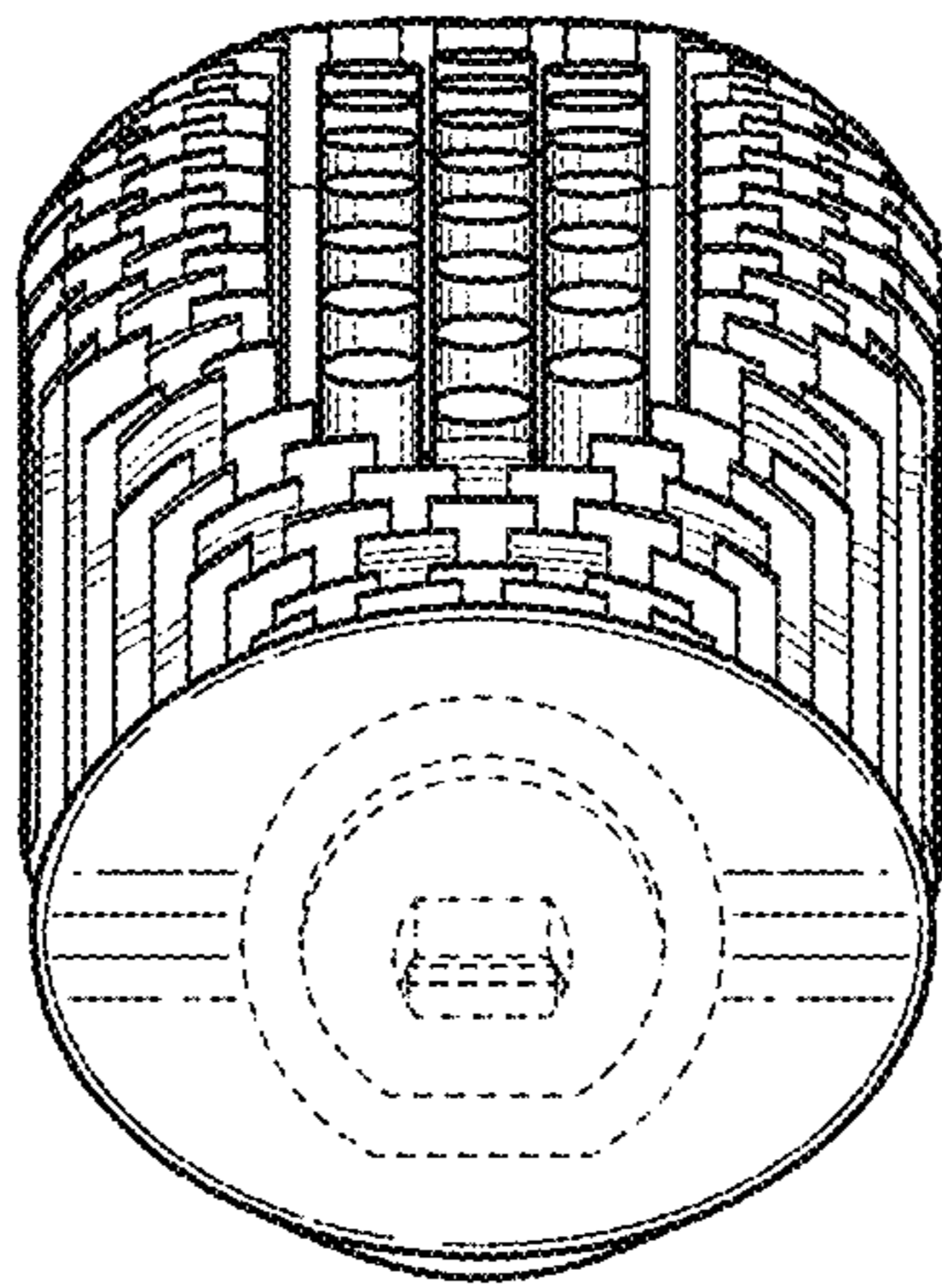


FIG. 14