



US00D774771S

(12) **United States Design Patent**  
**Yoshida et al.**

(10) **Patent No.: US D774,771 S**  
(45) **Date of Patent: \*\* Dec. 27, 2016**

(54) **PORTION OF A BRUSH HEAD FOR ELECTRIC TOOTHBRUSH**

3,369,265 A \* 2/1968 Halberstadt ..... A61C 17/32  
15/145

(Continued)

(71) Applicants: **COLGATE-PALMOLIVE COMPANY**, New York, NY (US);  
**Omron Healthcare Co., Ltd.**, Kyoto (JP)

FOREIGN PATENT DOCUMENTS

EM 000149562-0008 3/2004  
EM 000166285-0001 4/2004

(Continued)

(72) Inventors: **Hideaki Yoshida**, Kyoto (JP); **Takashi Torihama**, Kyoto (JP)

*Primary Examiner* — Susan Moon Lee

(73) Assignees: **COLGATE-PALMOLIVE COMPANY**, New York, NY (US);  
**OMRON HEALTHCARE CO., LTD** (JP)

(57) **CLAIM**

(\*\*) Term: **15 Years**

The ornamental design for a portion of a brush head for an electric toothbrush, as shown and described.

(21) Appl. No.: **29/531,816**

(22) Filed: **Jun. 30, 2015**

**DESCRIPTION**

**Related U.S. Application Data**

(63) Continuation of application No. 29/425,946, filed on Jun. 28, 2012, now Pat. No. Des. 734,613.

FIG. 1 is a front elevation view of a portion of a brush head for an electric toothbrush according to the new design;

(30) **Foreign Application Priority Data**

Dec. 28, 2011 (JP) ..... 2011-030439

FIG. 2 is a rear elevation view thereof;

(51) **LOC (10) Cl.** ..... **04-02**

FIG. 3 is an enlarged top view thereof;

(52) **U.S. Cl.**  
USPC ..... **D4/101**

FIG. 4 is an enlarged bottom view thereof;

(58) **Field of Classification Search**  
USPC ..... D4/101, 104-112, 114; 15/110, 167.1, 15/167.2, 176.1, 176.6, 188, 22.1, 145; 132/308-311; 601/139, 141, 142  
(Continued)

FIG. 5 is a right side elevation thereof;

FIG. 6 is a left side elevation view thereof;

(56) **References Cited**

U.S. PATENT DOCUMENTS

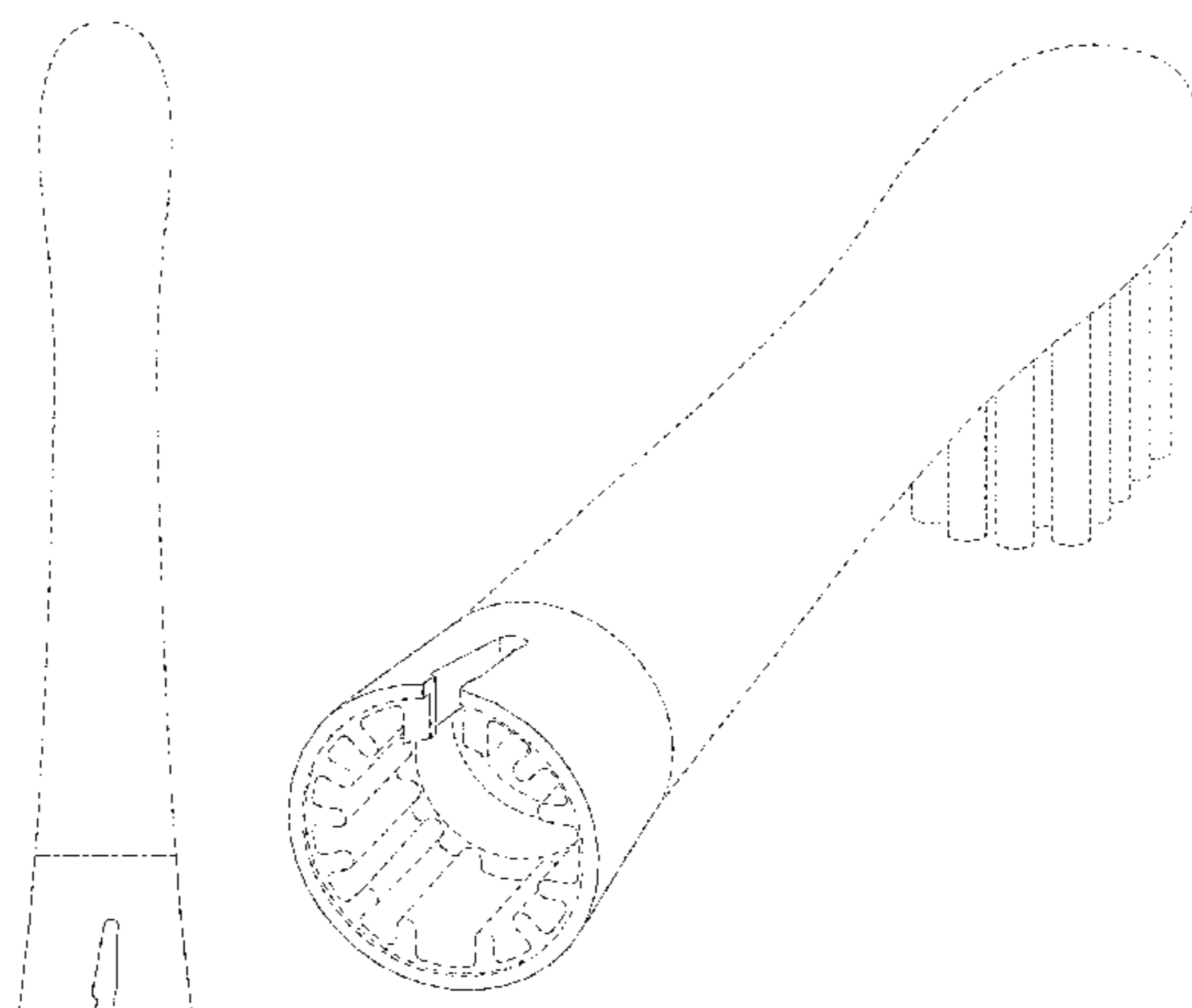
3,088,148 A \* 5/1963 Moret ..... A61C 17/32  
15/145

FIG. 7 is front perspective view thereof, shown on a scale greater than that shown in FIG. 1 but less than that shown in FIGS. 3 and 4;

FIG. 8 is an enlarged rear perspective view of the design as shown in FIG. 7;

FIG. 9 is a rear view thereof, shown on a scale greater than that shown in FIG. 7 but less than that shown in FIGS. 3 and

(Continued)



4 and with the environmental portion of the brush head for electric toothbrush being partially shown;  
 FIG. 10 is a bottom view of the design shown in FIG. 9, on a scale greater than that shown in FIG. 9 but less than that shown in FIGS. 3 and 4;  
 FIG. 11 is a front perspective view of the design as shown in FIG. 10; and,  
 FIG. 12 is a rear perspective view of the design as shown in FIG. 10.  
 The dot-dash broken lines represent the bounds of the claim and form no part thereof. The dashed broken lines illustrate portions of the brush head that form no part of the claimed design.

**1 Claim, 7 Drawing Sheets**

(58) **Field of Classification Search**

CPC ..... A46B 5/0095; A46B 7/04; A46B 7/042;  
 A46B 7/044; A46B 9/04; A46B  
 2200/1066; A61C 17/16; A61C  
 17/22; A61C 17/222; A61C 17/32; A61C  
 17/34; A61C 17/3409; A61C  
 17/3445; A61C 17/3454; A61C 17/3463;  
 A61C 17/3481

See application file for complete search history.

(56) **References Cited**

U.S. PATENT DOCUMENTS

5,697,117 A \* 12/1997 Craft ..... A61C 17/3481  
 15/21.1  
 6,381,795 B1 \* 5/2002 Hofmann ..... A61C 17/22  
 15/28  
 6,574,820 B1 \* 6/2003 DePuydt ..... A61C 15/047  
 15/22.1

6,651,346 B1 \* 11/2003 Sturgis ..... B26B 5/00  
 30/337  
 D502,320 S 3/2005 Fattori et al.  
 D577,199 S 9/2008 Zhuan  
 7,574,765 B2 \* 8/2009 Huber ..... A46B 9/04  
 15/22.1  
 D632,894 S 2/2011 Shigeno et al.  
 D724,845 S \* 3/2015 Yoshida ..... D4/101  
 9,038,225 B2 \* 5/2015 Haynes ..... A61C 17/26  
 15/28  
 D734,613 S \* 7/2015 Yoshida ..... D4/101  
 D747,609 S \* 1/2016 Watkins ..... D4/101  
 D759,380 S \* 6/2016 Watkins ..... D4/101  
 2002/0174498 A1 \* 11/2002 Li ..... A61C 17/3436  
 15/28  
 2011/0289699 A1 \* 12/2011 Schaefer ..... A46B 15/0002  
 15/4  
 2013/0117950 A1 \* 5/2013 Kim ..... A61C 17/221  
 15/22.1  
 2015/0020325 A1 \* 1/2015 Yoshida ..... A61C 17/222  
 15/22.1  
 2016/0166366 A1 \* 6/2016 Fritsch ..... A61C 17/222  
 15/22.1

FOREIGN PATENT DOCUMENTS

EM	000366968-0001	7/2005
EM	001078414-0007	1/2009
EM	001148209-0005	6/2009
EM	001816745-0001	2/2011
JP	1223242	11/2004
KR	30-0439339	1/2007
RU	75347	7/2010
RU	76231	10/2010
RU	76847	12/2010
RU	79519	9/2011
WO	DM/065429	5/2004
WO	DM/072551	11/2009
WO	DM/076472	5/2011

\* cited by examiner

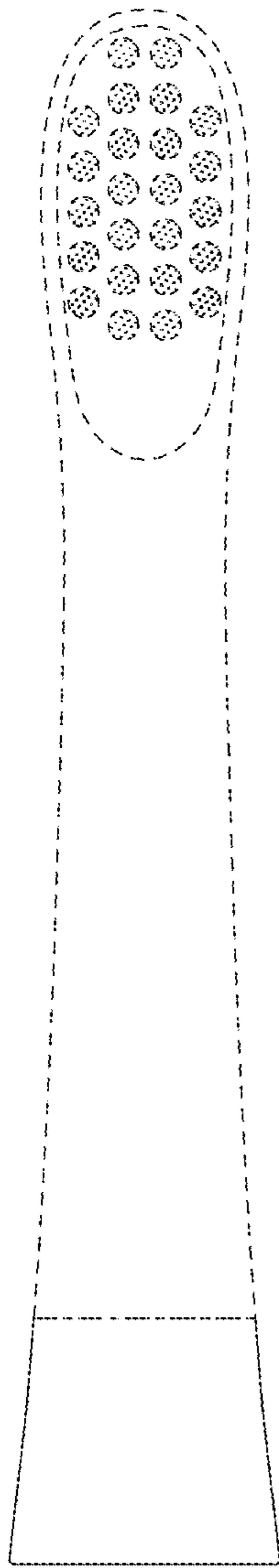


FIG. 1

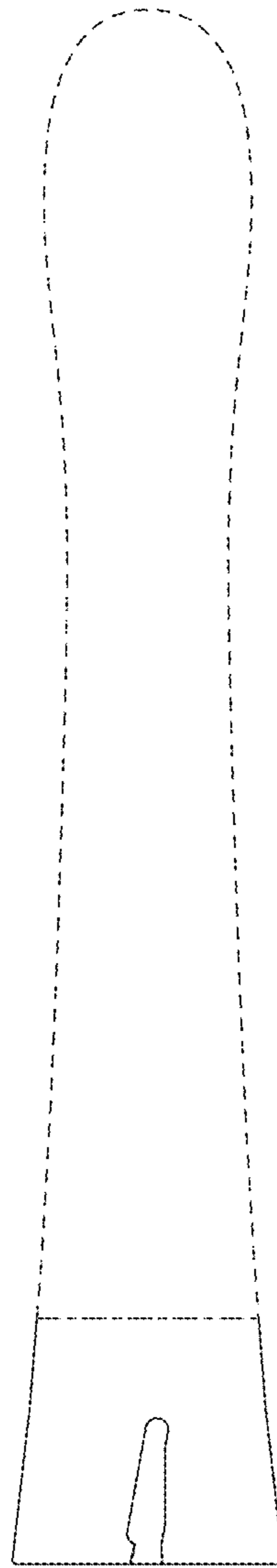


FIG. 2

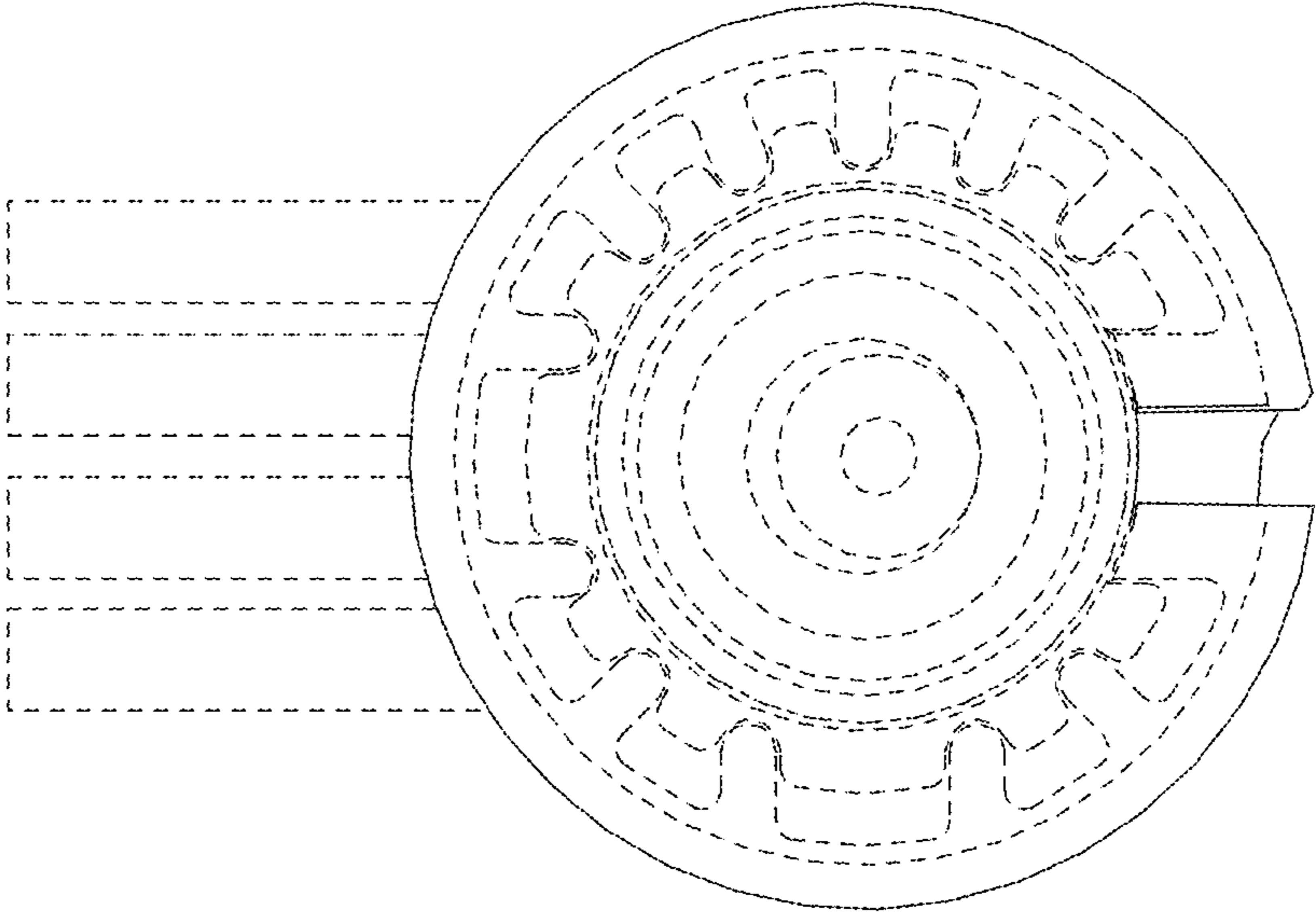


FIG. 4

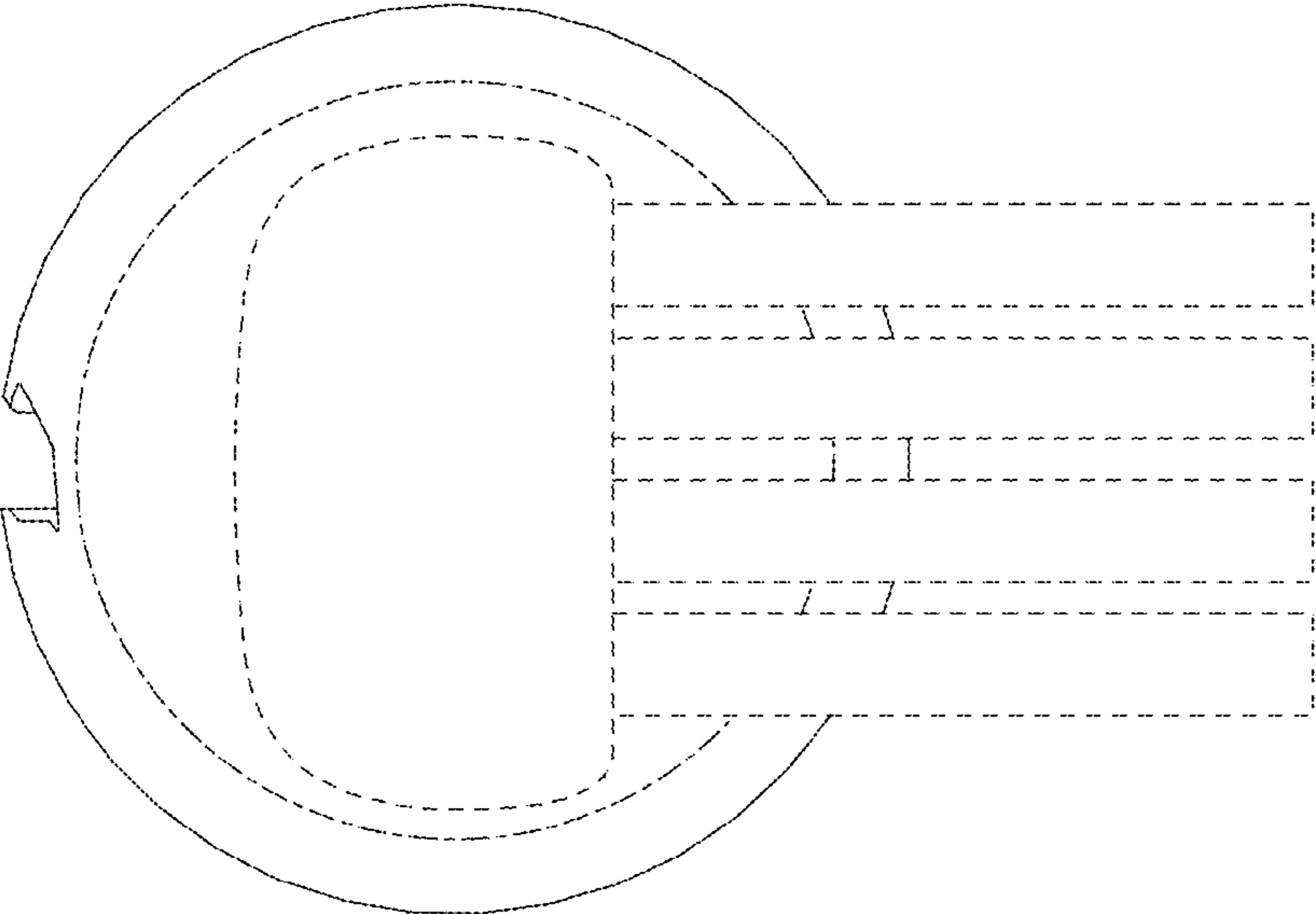


FIG. 3

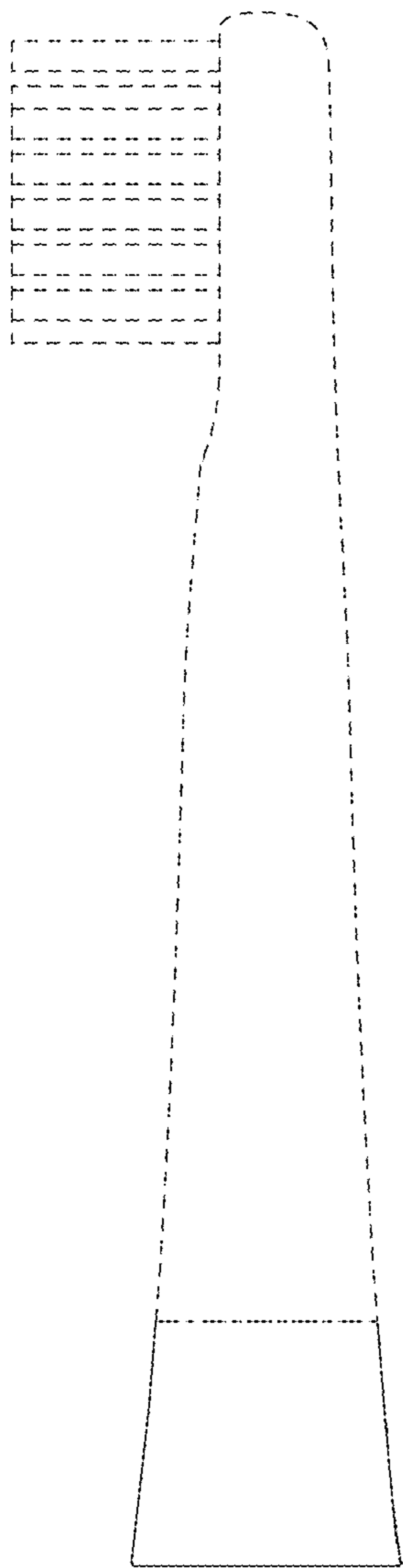


FIG. 5

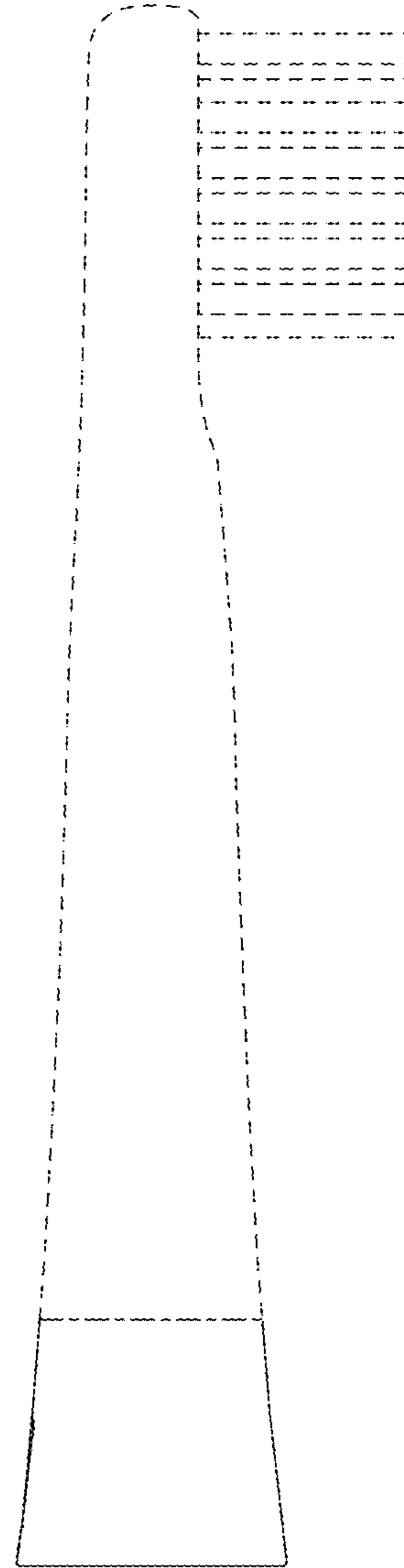


FIG. 6

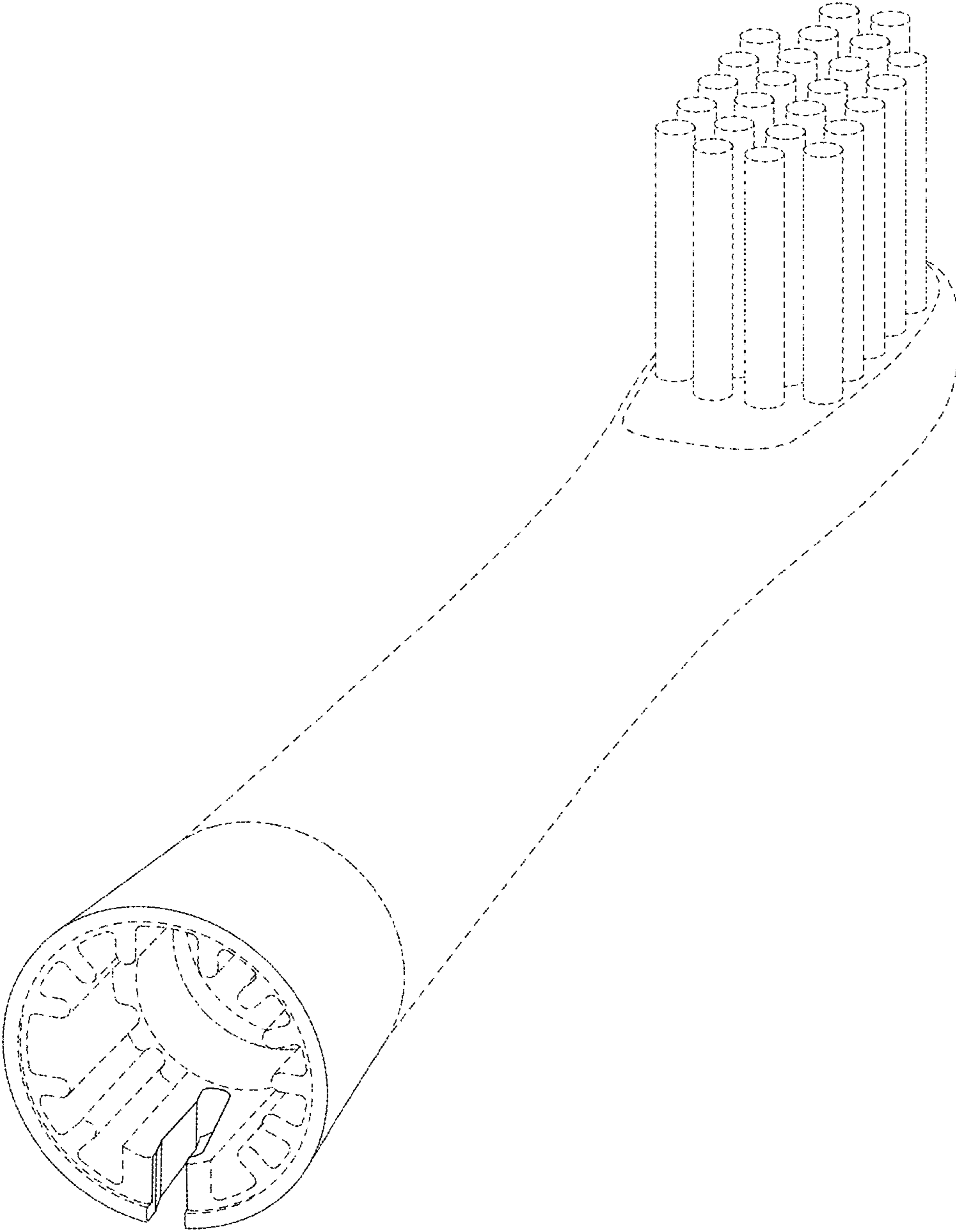


FIG. 7

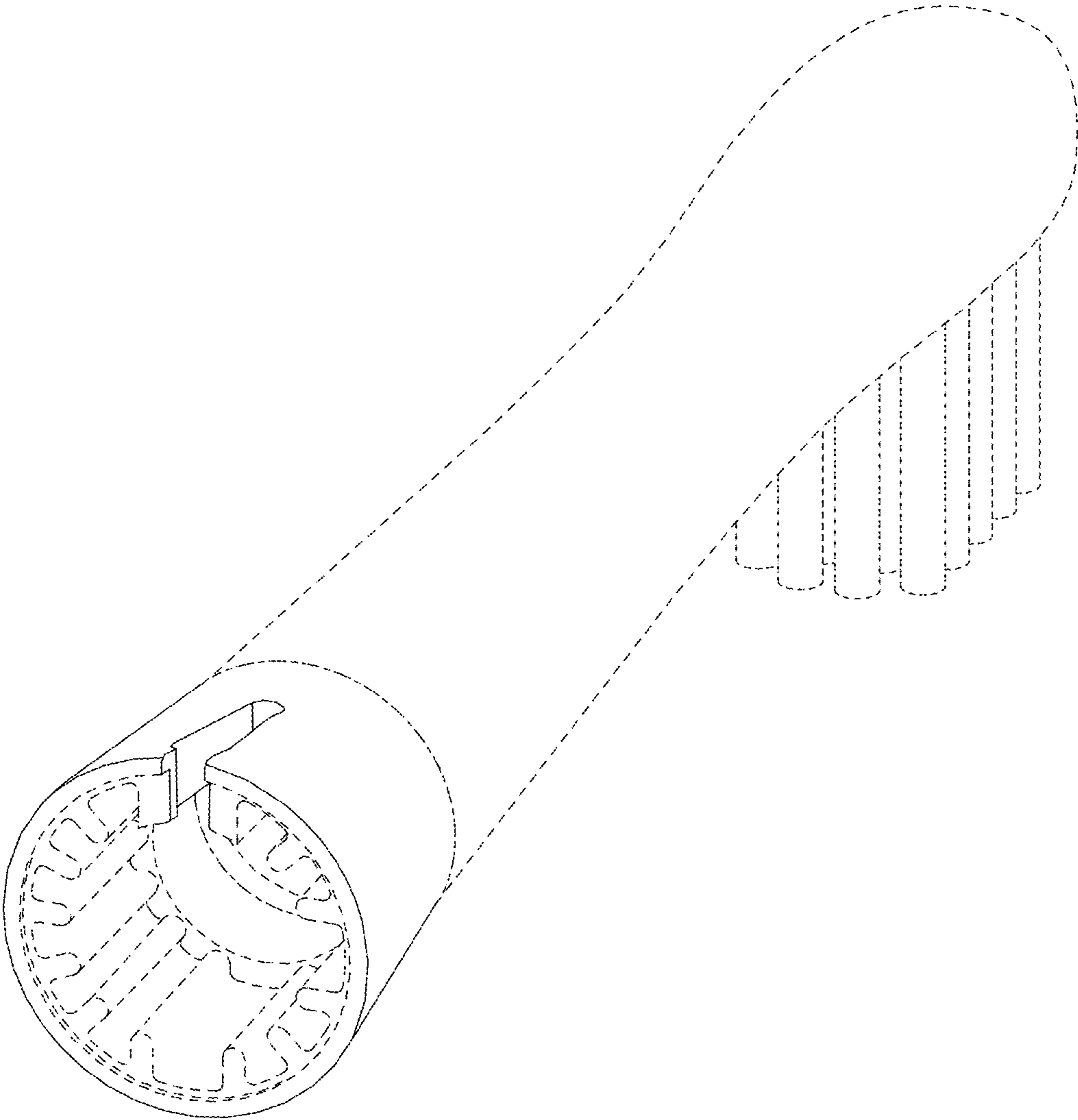


FIG. 8

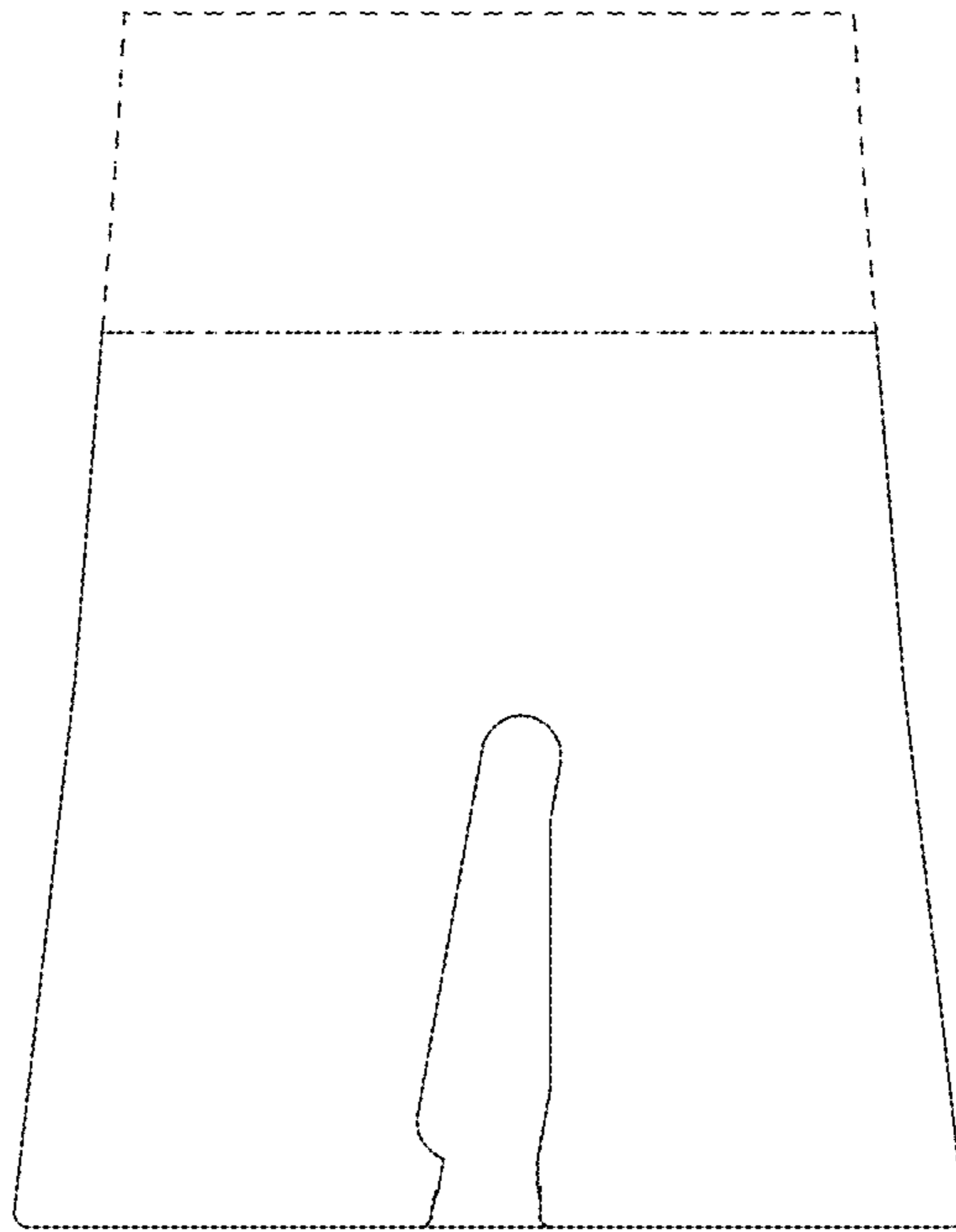


FIG. 9

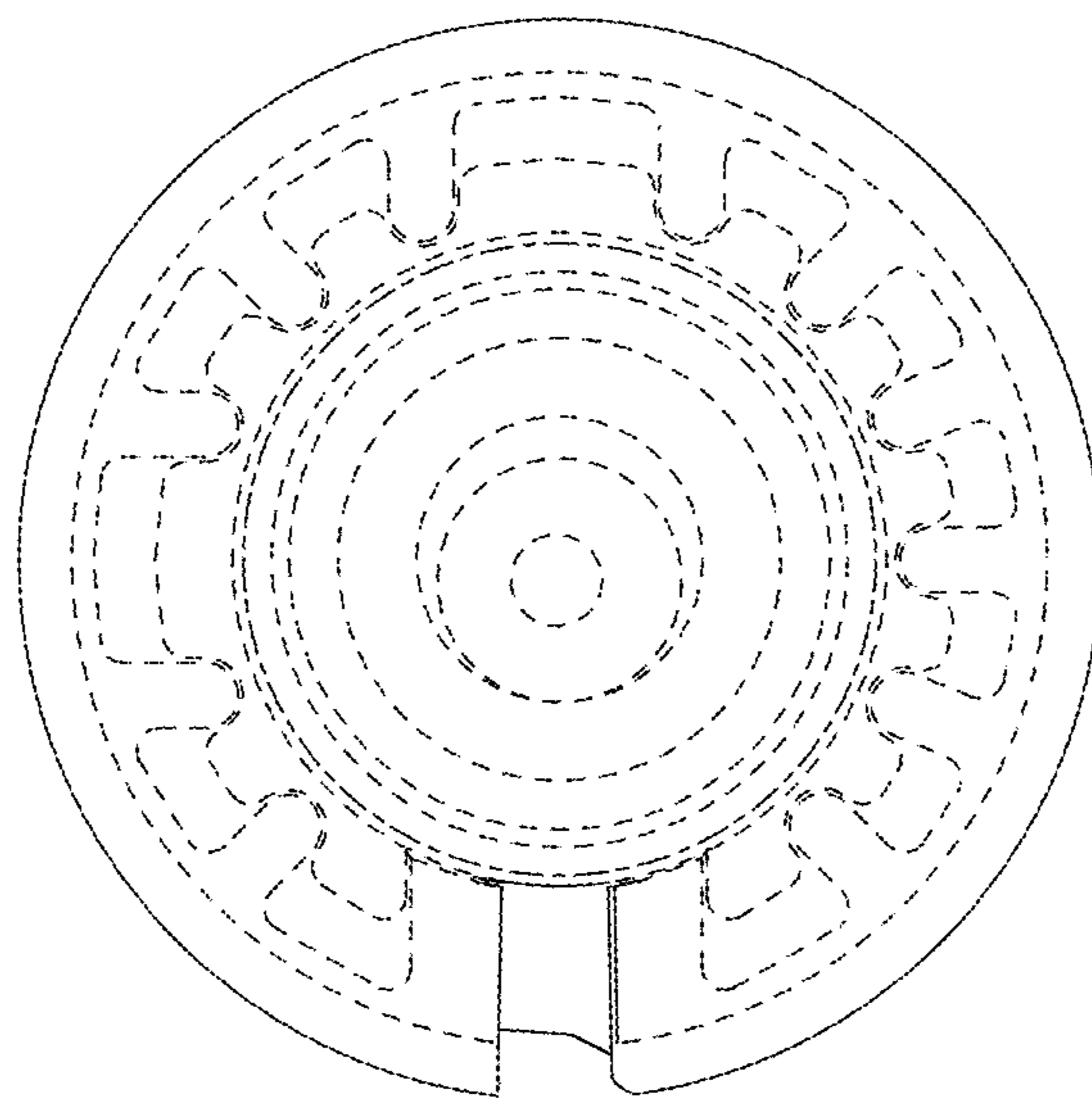


FIG. 10



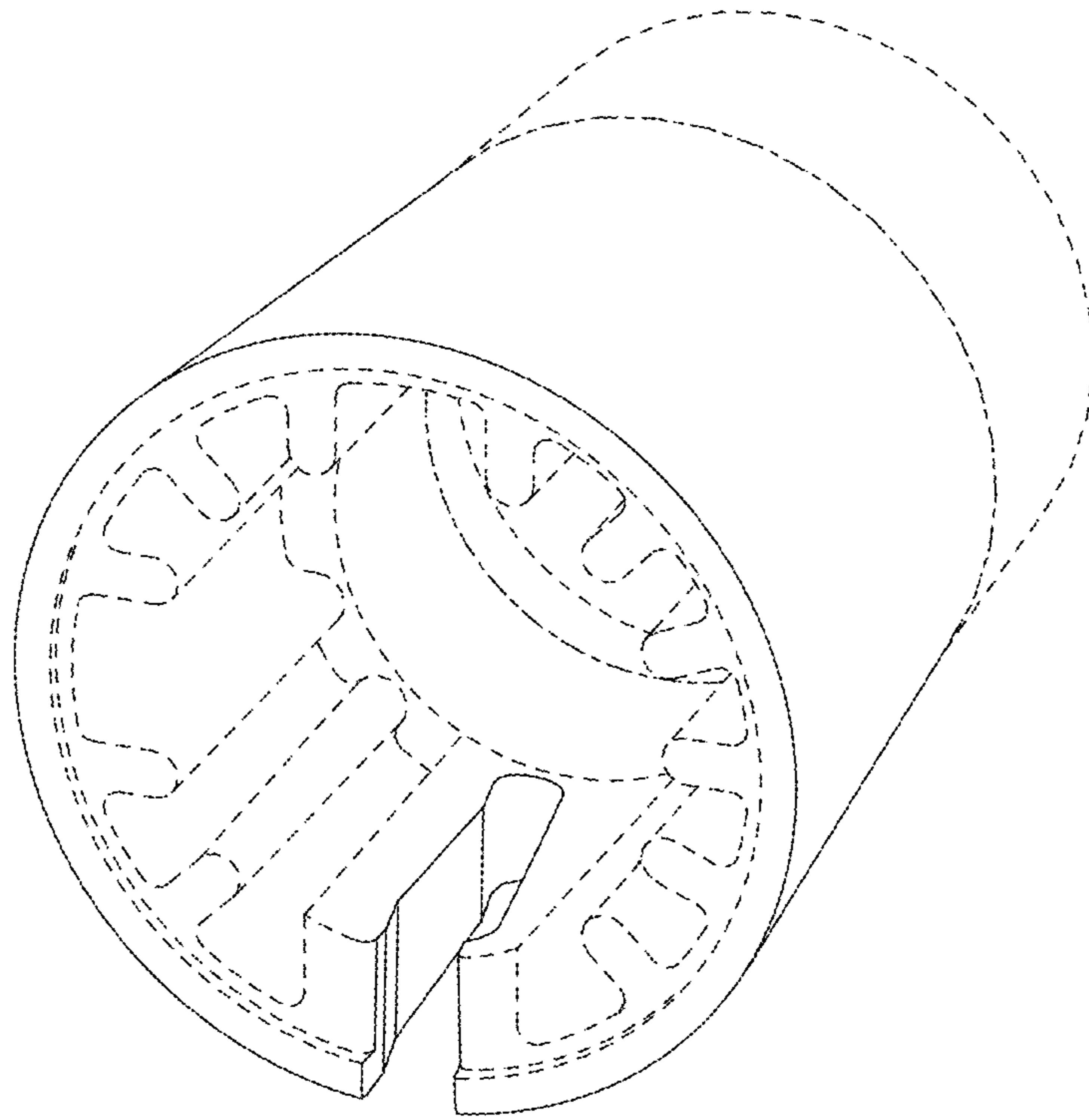


FIG. 11

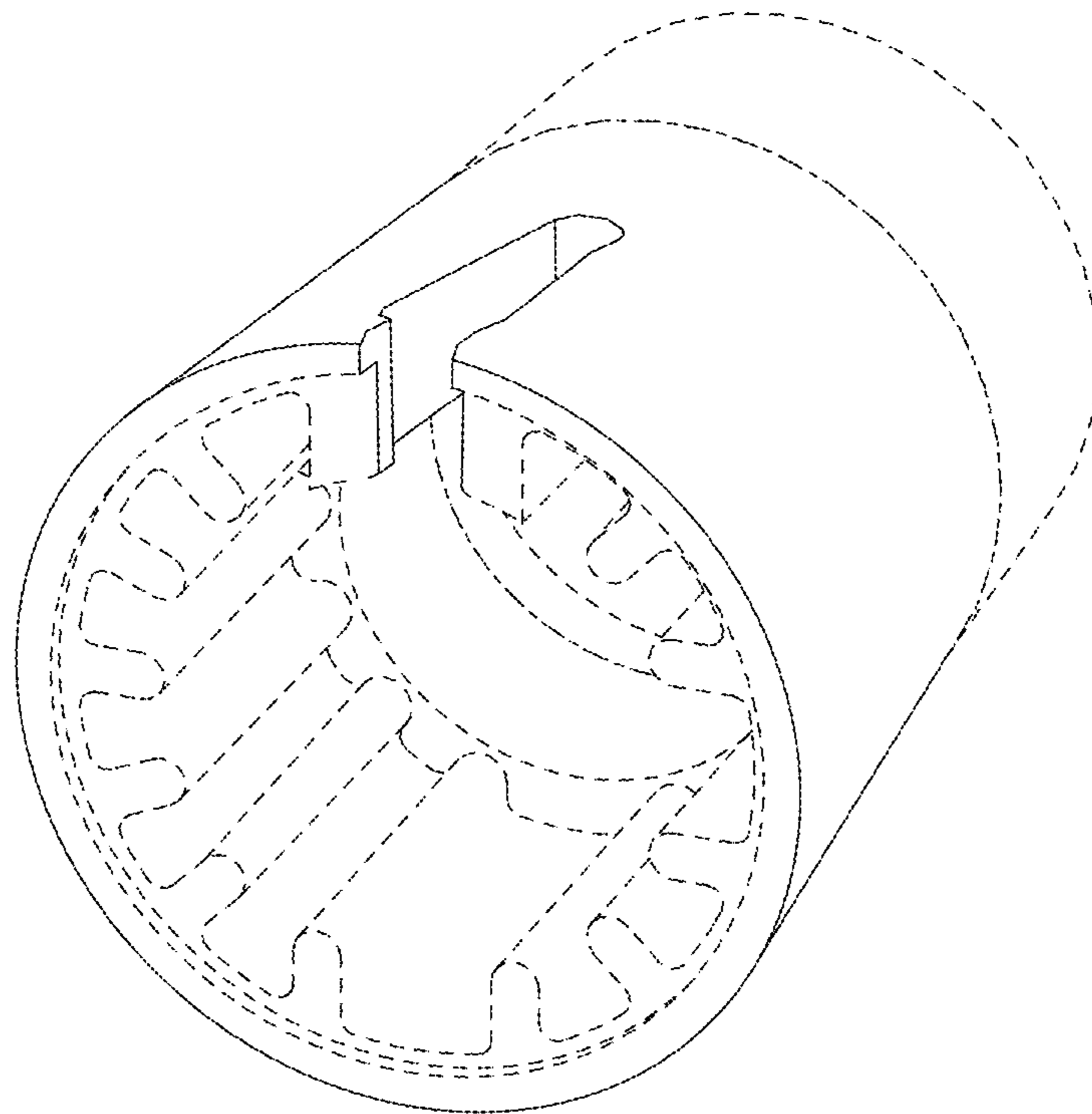


FIG. 12