



US00D774770S

(12) **United States Design Patent**
Faraone

(10) **Patent No.:** **US D774,770 S**

(45) **Date of Patent:** **** Dec. 27, 2016**

(54) **BAG HOLDER**

D462,524 S * 9/2002 Berke D3/328
D713,149 S * 9/2014 Swisa D3/328
2011/0147545 A1 6/2011 Faraone

(71) Applicant: **IDEAS FOR PRODUCT DESIGN, INC.**, Chicago, IL (US)

* cited by examiner

(72) Inventor: **Rosemarie Faraone**, Chicago, IL (US)

Primary Examiner — Holly Baynham

(73) Assignee: **Ideas for Product Design, Inc.**, Chicago, IL (US)

(74) *Attorney, Agent, or Firm* — Winston & Strawn LLP

(**) Term: **15 Years**

(57) **CLAIM**

(21) Appl. No.: **29/538,462**

The ornamental design for a bag holder, as shown and described.

(22) Filed: **Sep. 3, 2015**

(51) **LOC (10) Cl.** **03-01**

(52) **U.S. Cl.**
USPC **D3/328**

DESCRIPTION

(58) **Field of Classification Search**
USPC D3/328
CPC A47G 25/06
See application file for complete search history.

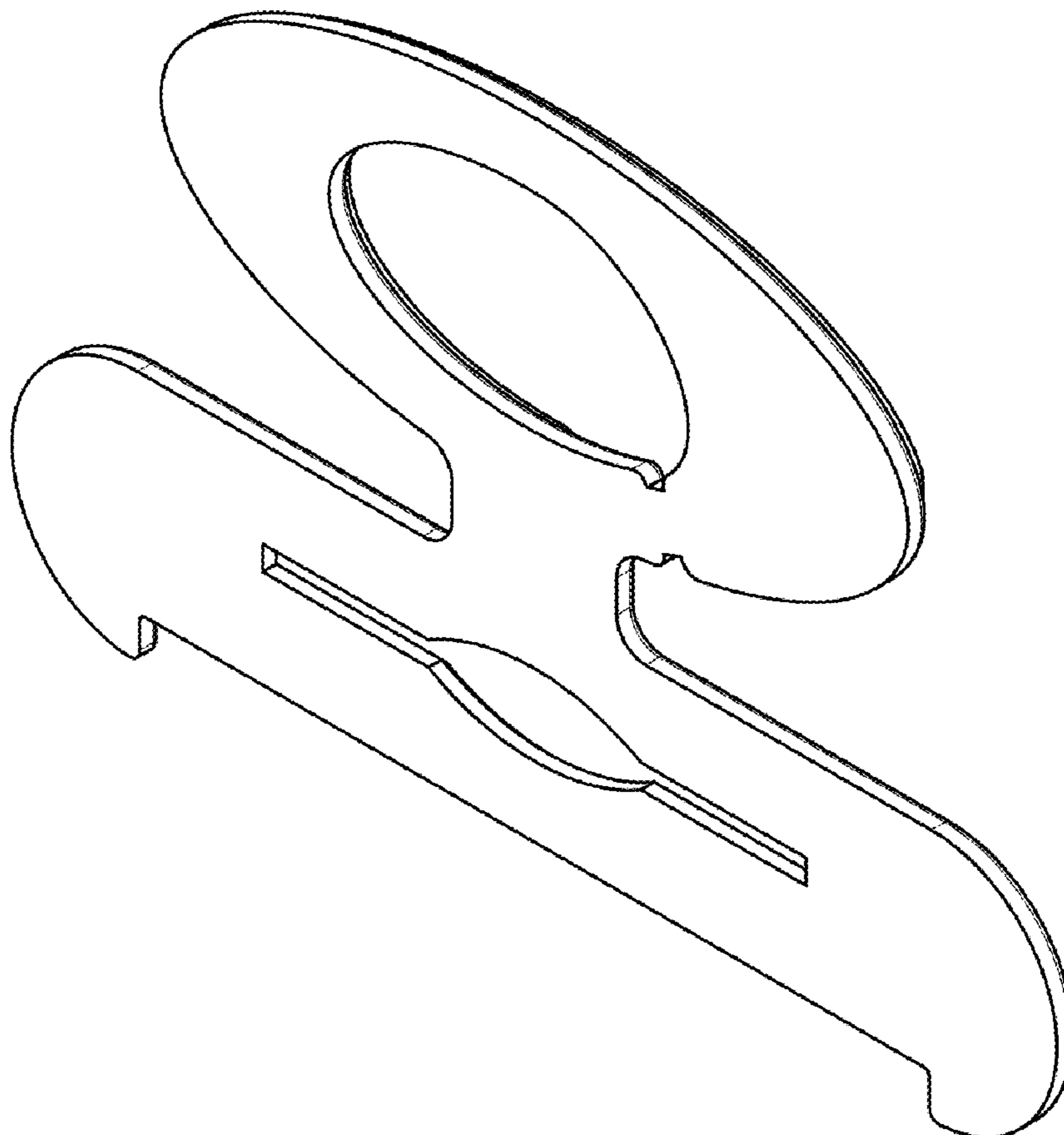
FIG. 1 is a perspective front view of the new design for bag holder;
FIG. 2 is a perspective rear view thereof;
FIG. 3 is a front view thereof;
FIG. 4 is a back view thereof;
FIG. 5 is a right side view thereof; and,
FIG. 6 is a bottom view thereof.

(56) **References Cited**

U.S. PATENT DOCUMENTS

D423,348 S * 4/2000 Le Roux D3/328

1 Claim, 3 Drawing Sheets



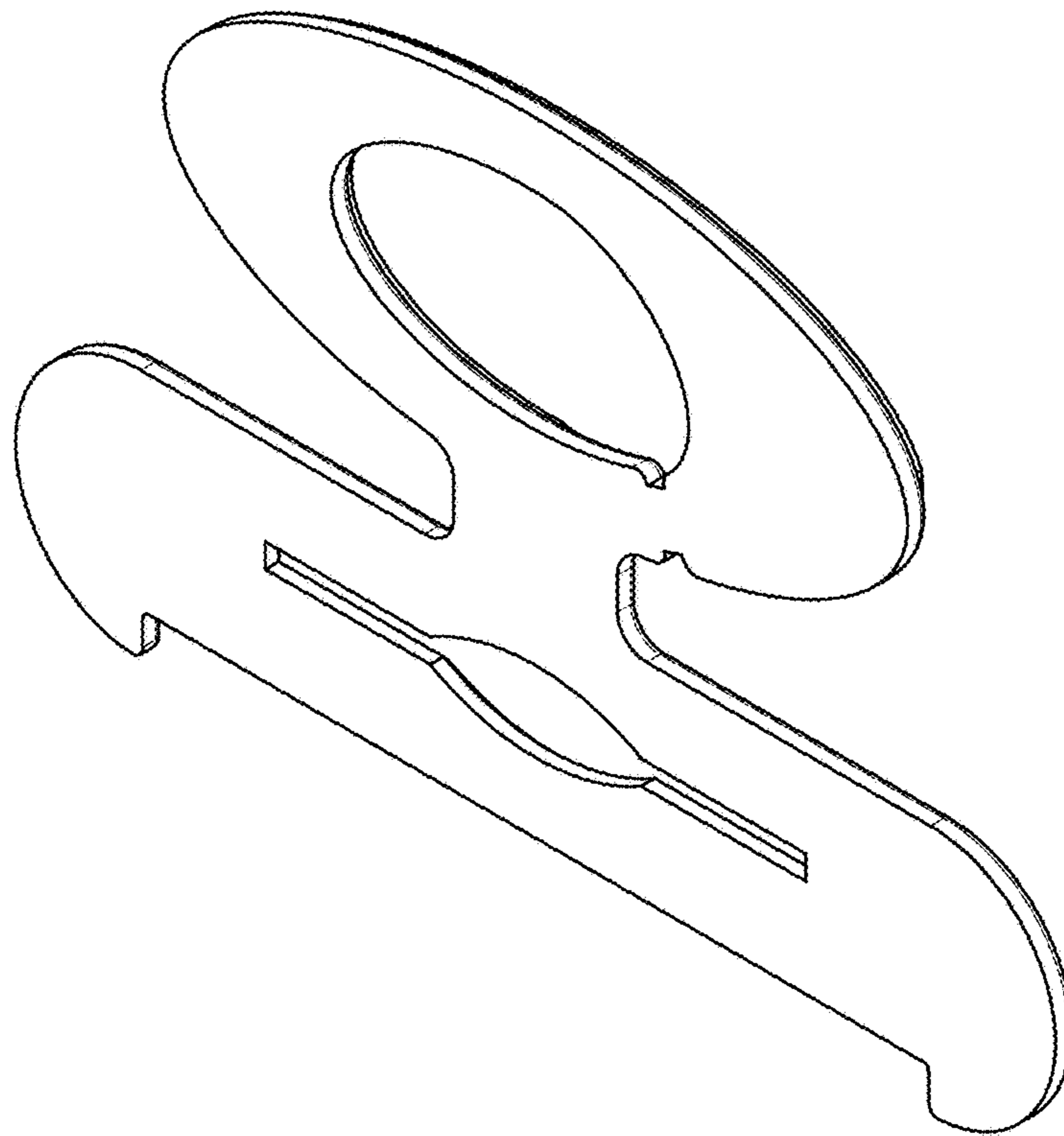


FIG. 1

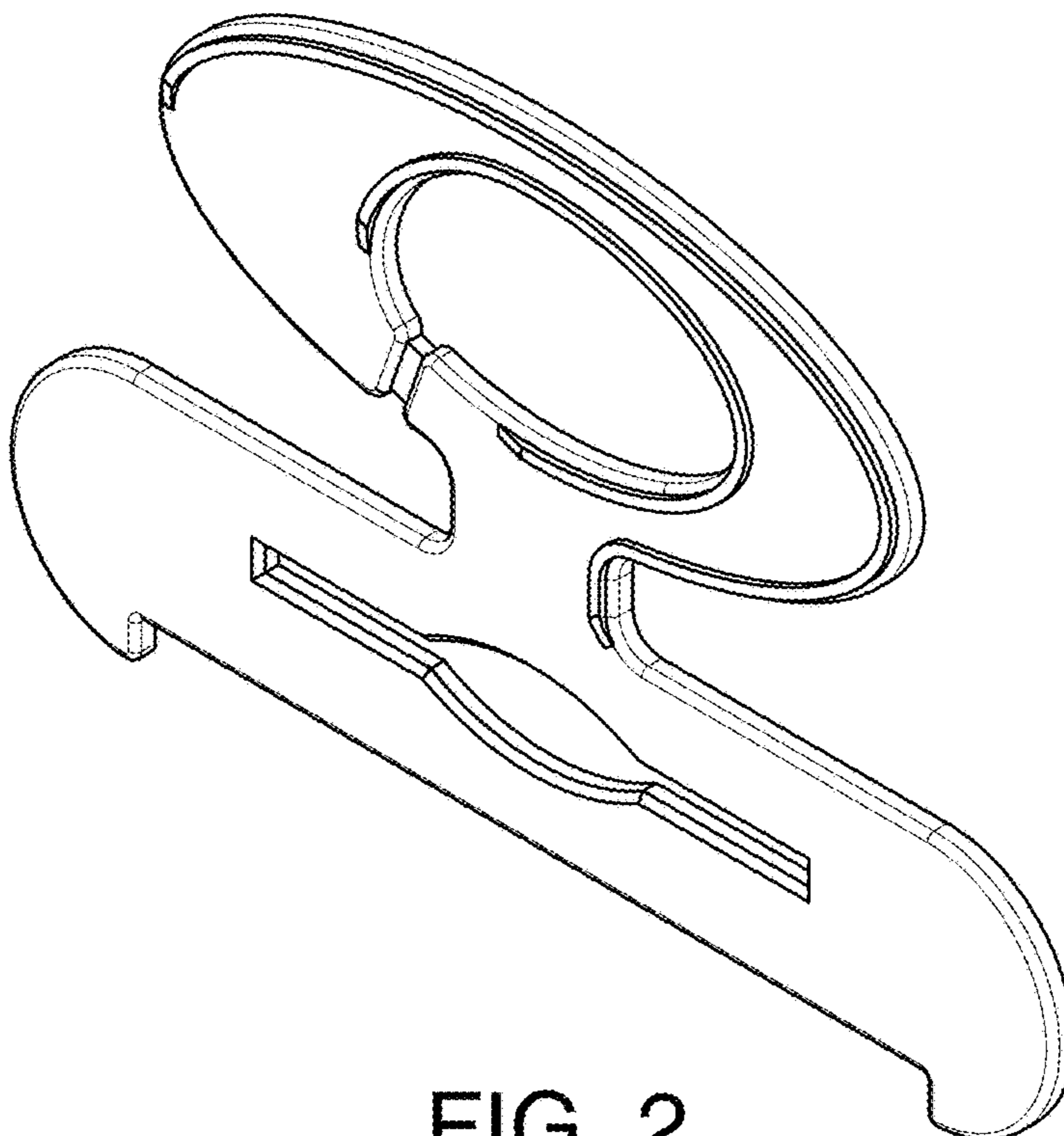


FIG. 2

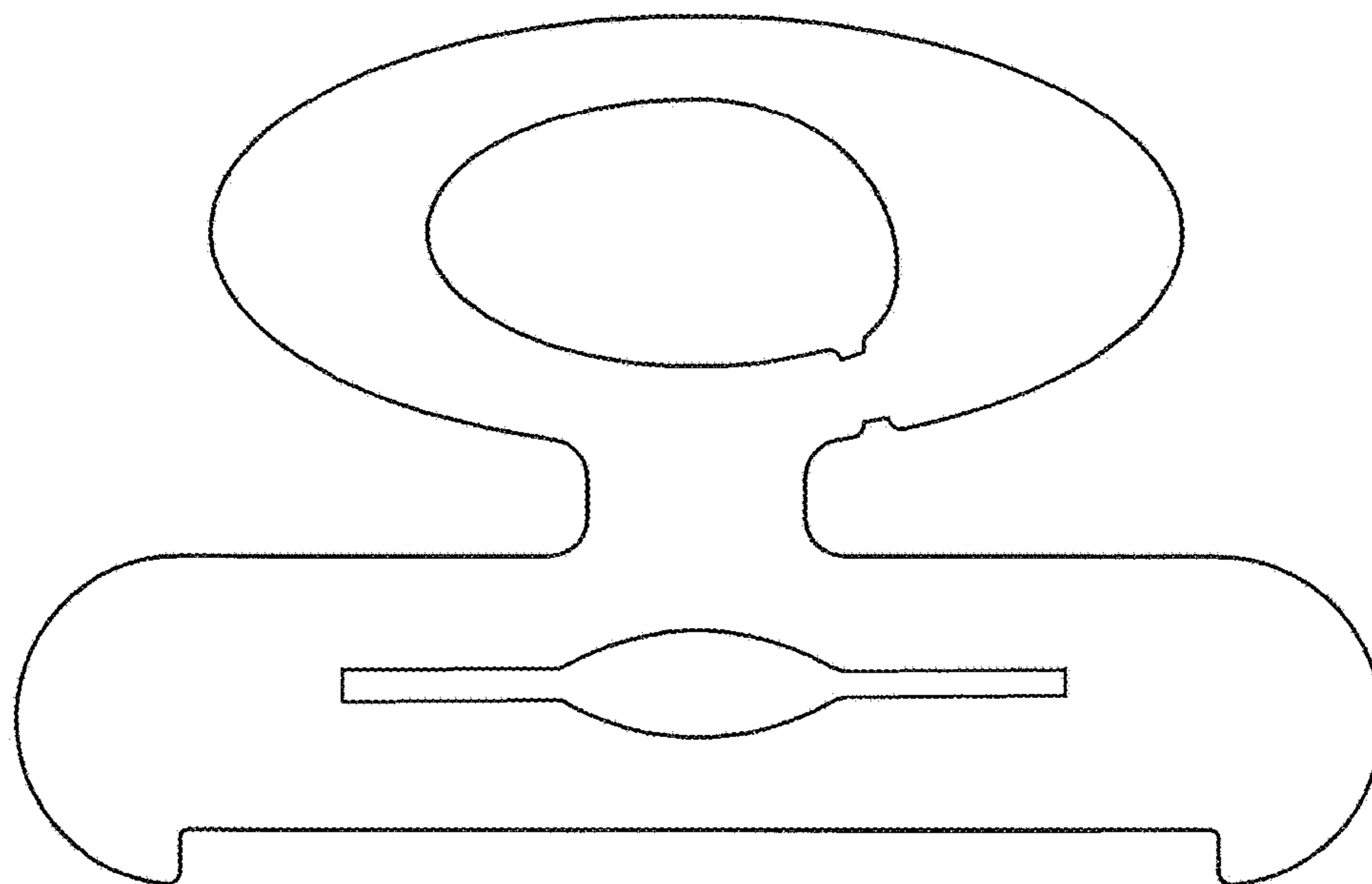


FIG. 3

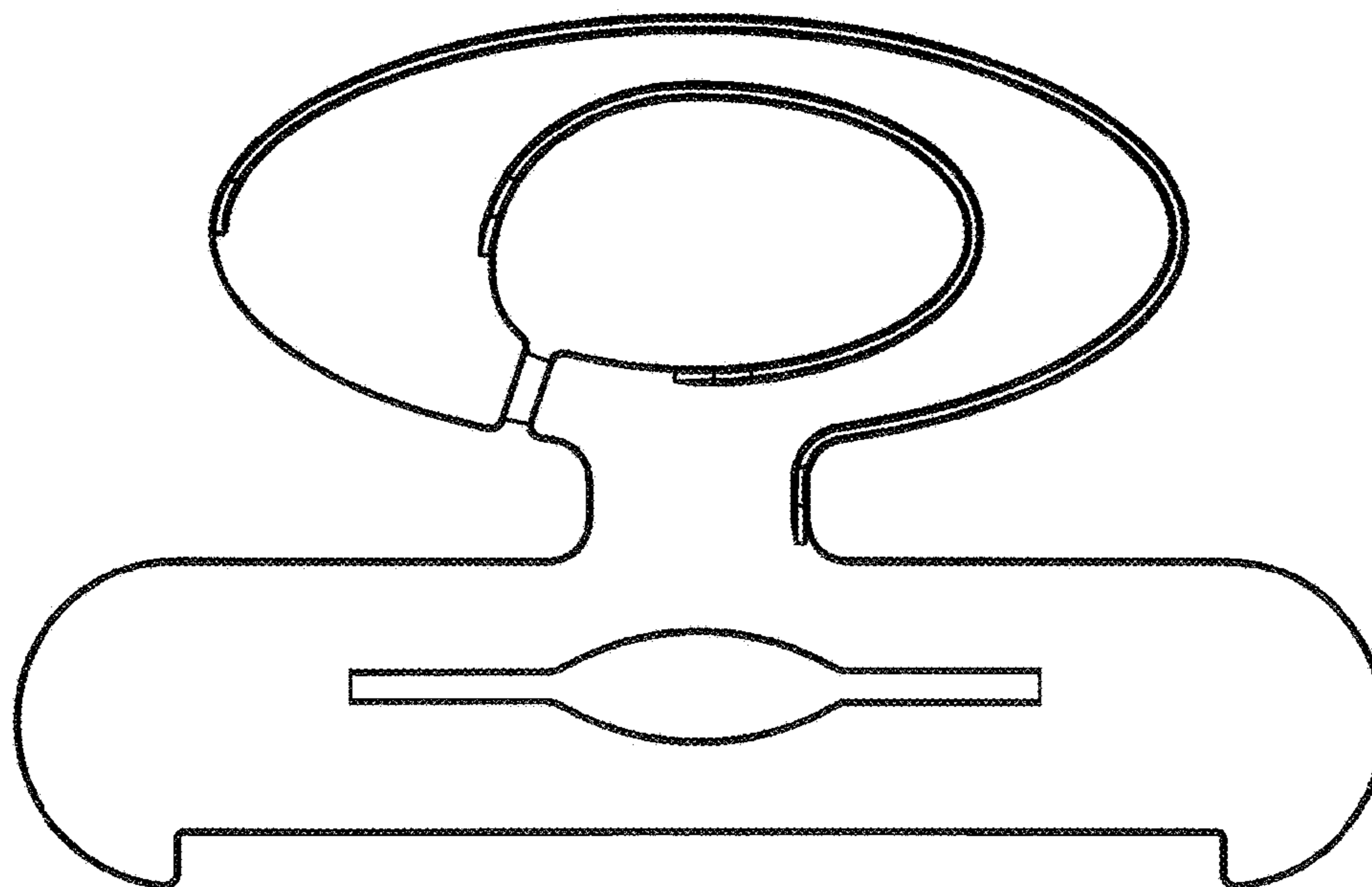


FIG. 4



FIG. 5

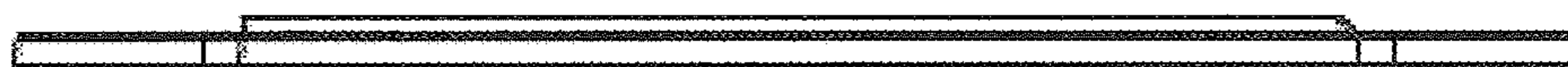


FIG. 6