

US00D774768S

(12) **United States Design Patent**
Collins-Sarner

(10) **Patent No.:** **US D774,768 S**

(45) **Date of Patent:** **** Dec. 27, 2016**

(54) **HANDBAG RAINCOAT**

2,118,400 A * 5/1938 Goldberg A45C 3/08

150/105

(71) Applicant: **Dram Designs LLC**, Norwood, NJ
(US)

D719,354 S * 12/2014 Yu D3/318

* cited by examiner

(72) Inventor: **Rhonda Collins-Sarner**, Norwood, NJ
(US)

Primary Examiner — Holly Baynham

(74) *Attorney, Agent, or Firm* — Millen White Zelano &
Branigan, P.C.

(73) Assignee: **Dram Designs LLC**, Norwood, NJ
(US)

(57) **CLAIM**

(**) Term: **14 Years**

The ornamental design for a handbag raincoat, as shown and described.

(21) Appl. No.: **29/526,358**

DESCRIPTION

(22) Filed: **May 8, 2015**

FIG. 1 is a front view of handbag raincoat.

(51) **LOC (10) Cl.** **03-01**

FIG. 2 is a back view thereof.

(52) **U.S. Cl.**

FIG. 3 is a top view thereof.

USPC **D3/318**

FIG. 4 is a bottom view thereof.

(58) **Field of Classification Search**

FIG. 5 is a side view thereof.

USPC D3/318

FIG. 6 is another side view thereof.

CPC A45C 3/08; A45C 13/06; A45C 13/08;

FIG. 7 is a perspective view thereof; and,

A45C 13/26

FIG. 8 is another perspective view thereof in an environment use.

See application file for complete search history.

The smooth zigzag line along the top portion of the handbag raincoat is indicative of the joining of two sides, for example, by a hook and loop fastener.

(56) **References Cited**

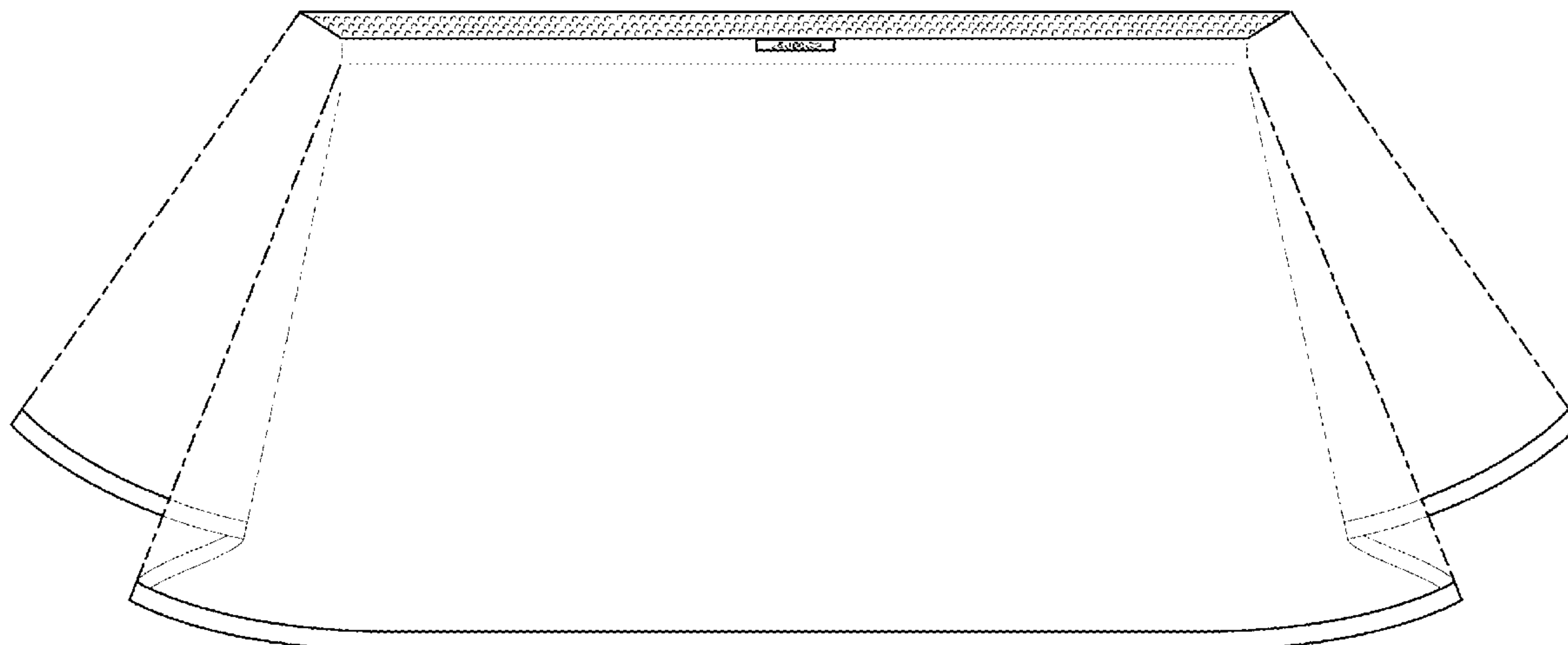
The broken lines in the drawings form no part of the claimed design.

U.S. PATENT DOCUMENTS

2,107,347 A * 2/1938 Sloane A45C 13/08

150/105

1 Claim, 7 Drawing Sheets



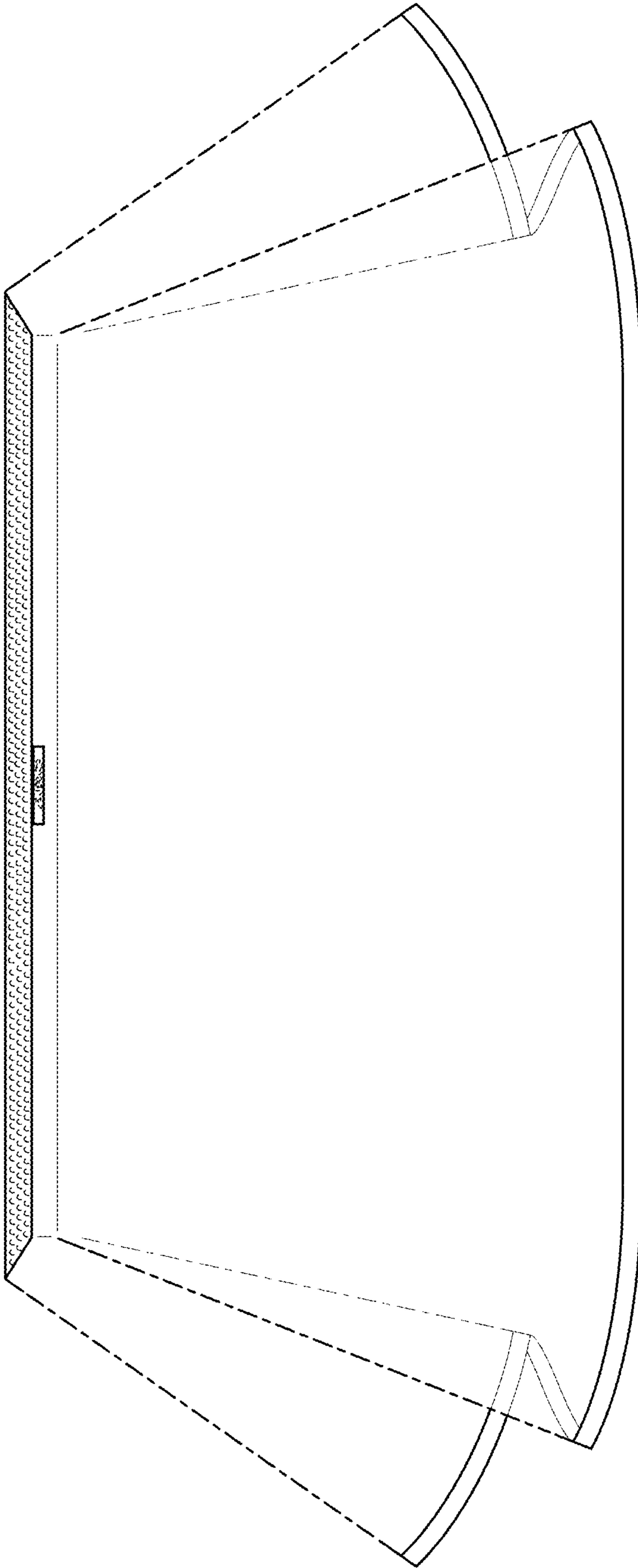


FIG.1

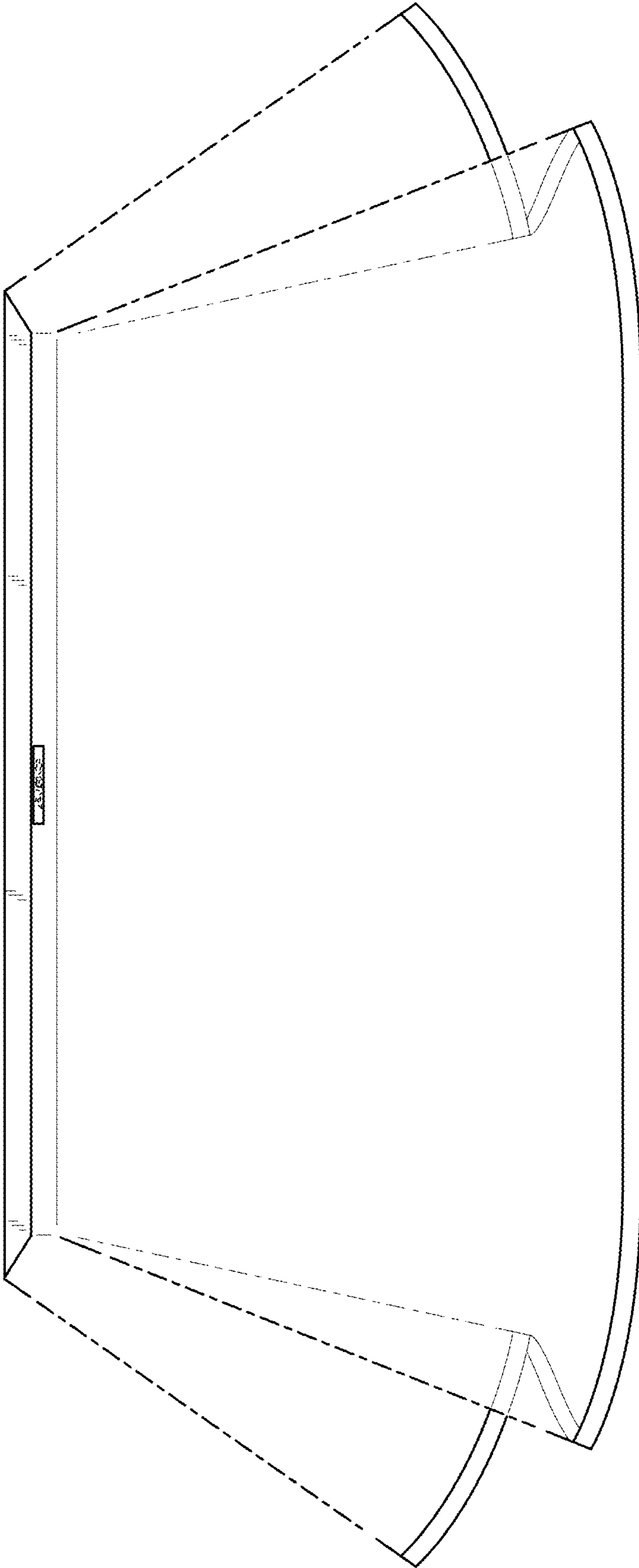


FIG.2

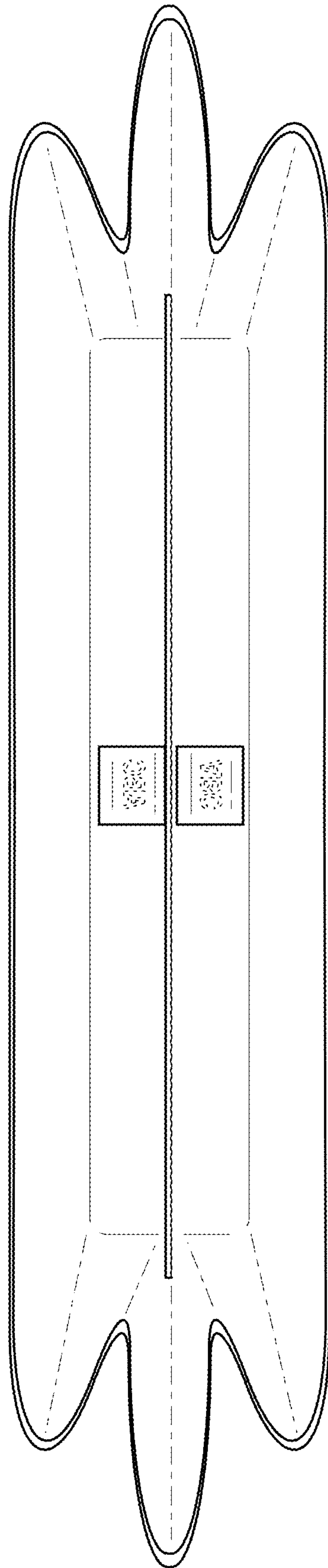


FIG.3

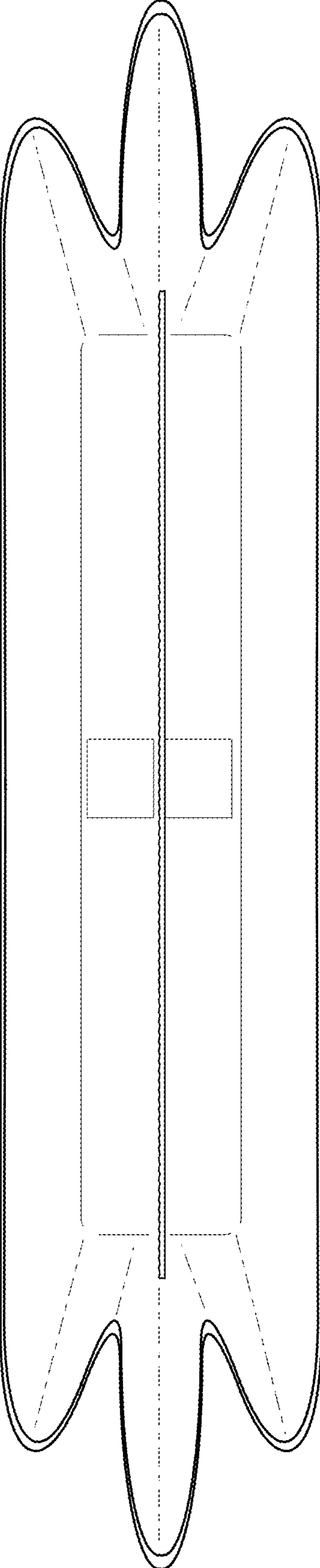


FIG.4

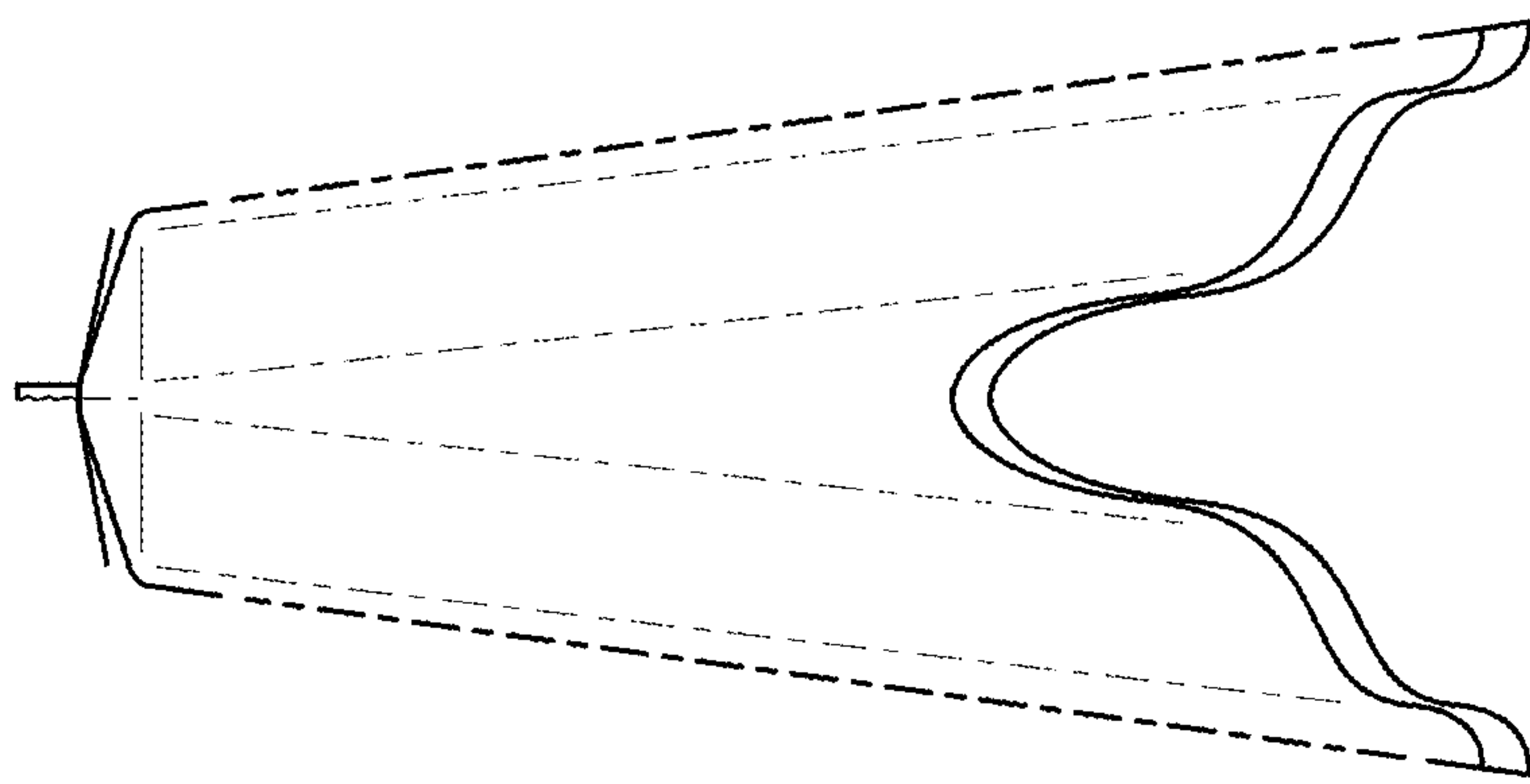


FIG.6

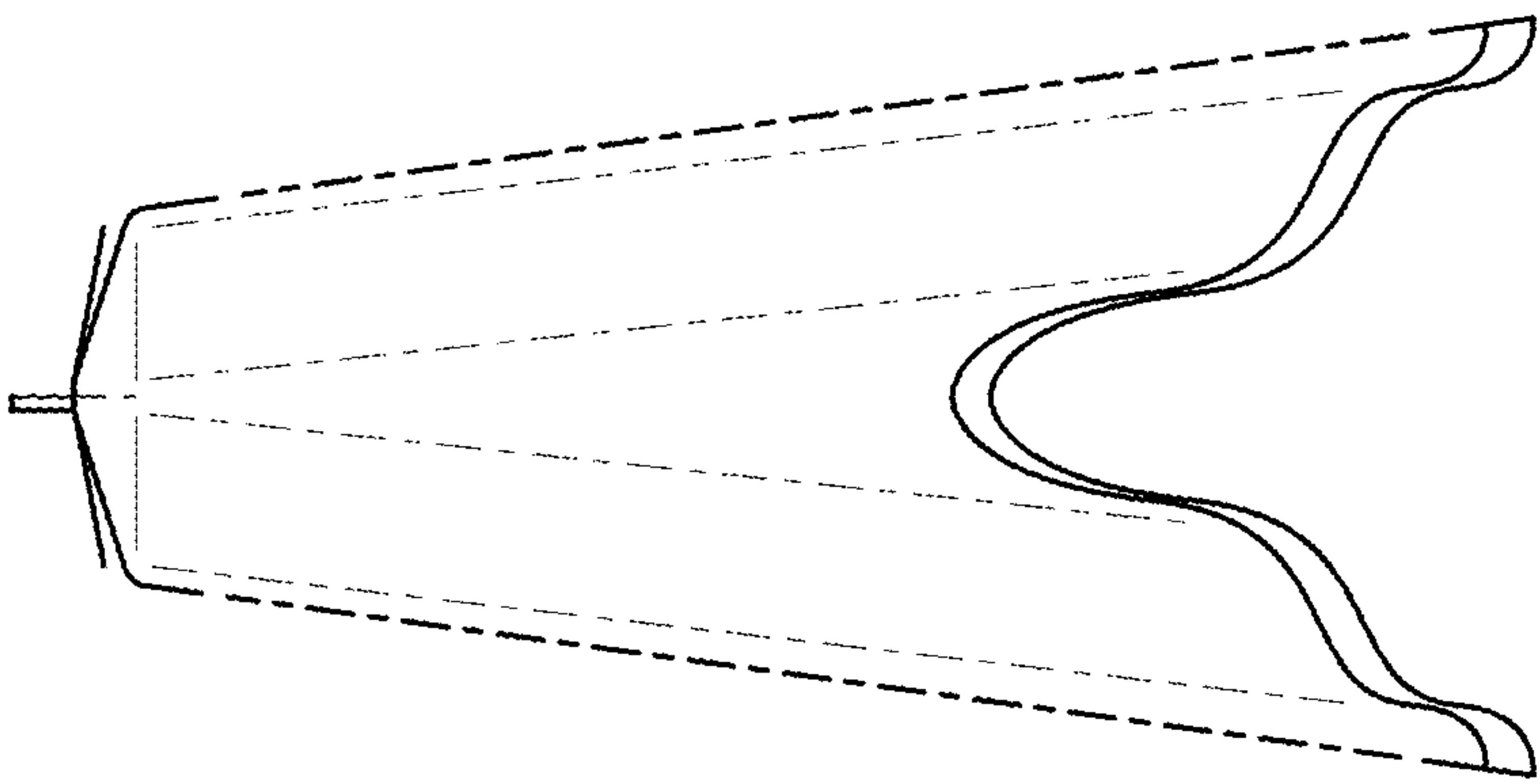


FIG.5

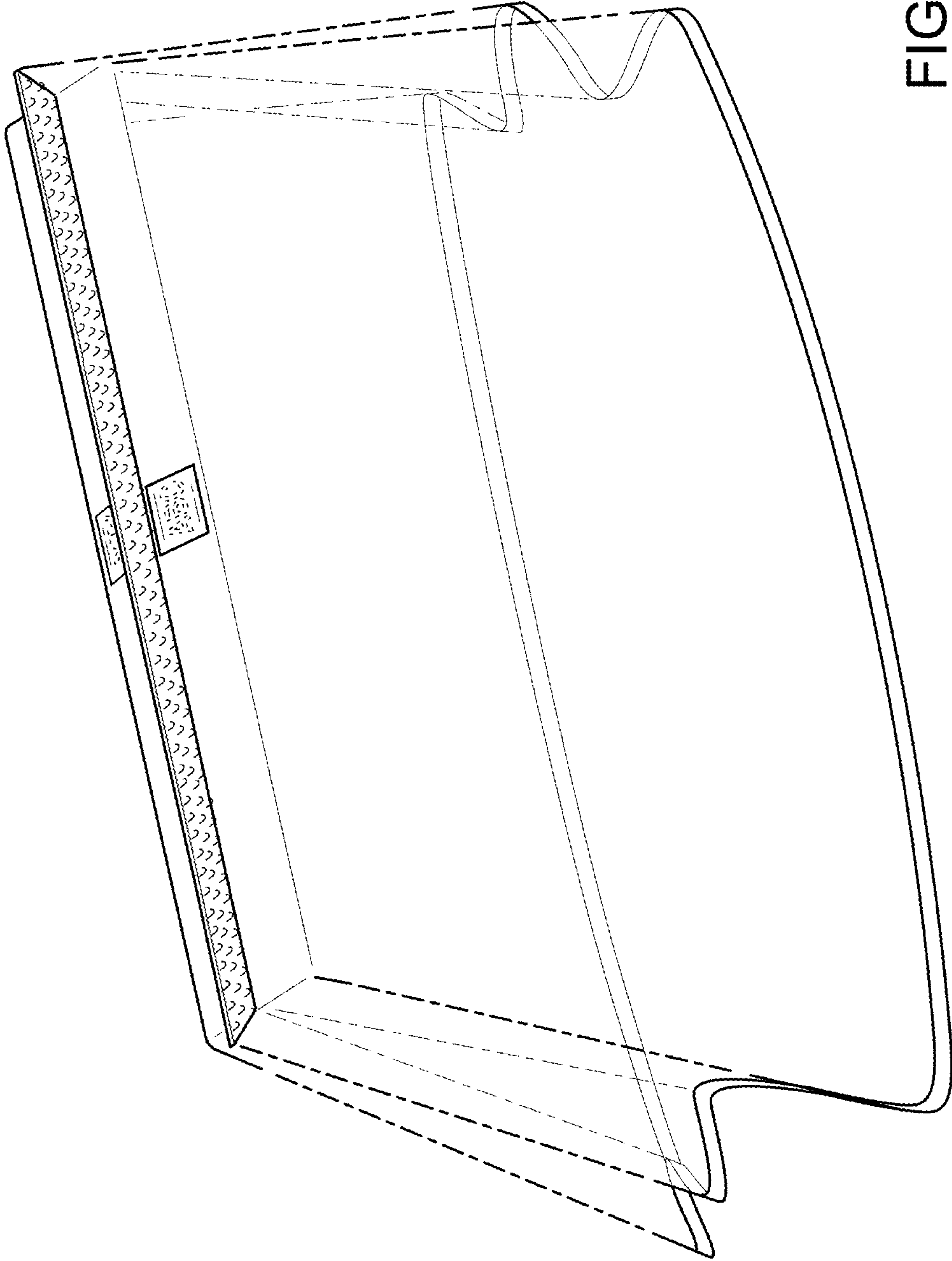


FIG.7

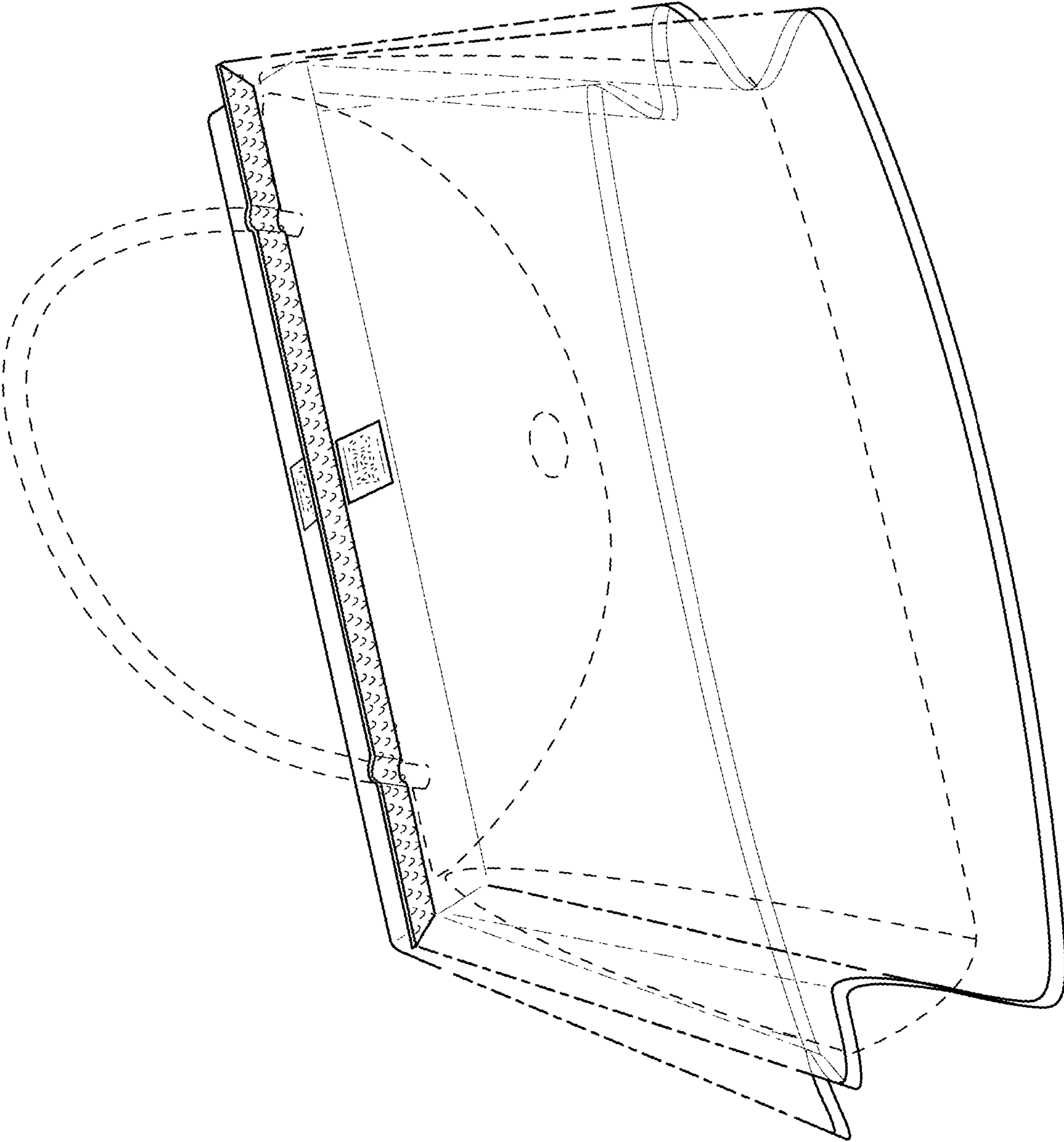


FIG.8