



US00D774767S

(12) **United States Design Patent** (10) **Patent No.:** **US D774,767 S**  
**Kim** (45) **Date of Patent:** **\*\* Dec. 27, 2016**

(54) **HANDLE ATTACHMENT OF CASE FOR ELECTRONIC DEVICE**

(71) Applicant: **Jeong Hun Kim**, Seoul (KR)

(72) Inventor: **Jeong Hun Kim**, Seoul (KR)

(\*\*) Term: **14 Years**

(21) Appl. No.: **29/516,908**

(22) Filed: **Feb. 6, 2015**

(51) **LOC (10) Cl.** ..... **03-01**

(52) **U.S. Cl.**  
USPC ..... **D3/318**

(58) **Field of Classification Search**  
USPC ..... D3/318, 247, 249–253

(Continued)

(56) **References Cited**

**U.S. PATENT DOCUMENTS**

D451,779 S \* 12/2001 du Sartel ..... D3/318  
D526,785 S \* 8/2006 Brassat ..... D3/318

(Continued)

**FOREIGN PATENT DOCUMENTS**

JP D1473191 S 6/2013  
KR 30-0686462 S 3/2013

(Continued)

*Primary Examiner* — Holly Baynham

(74) *Attorney, Agent, or Firm* — Novick, Kim & Lee, PLLC; Sang Ho Lee

(57) **CLAIM**

The ornamental design for a handle attachment of case for electronic device, as shown and described.

**DESCRIPTION**

FIG. 1 is a perspective view of a handle attachment of case for electronic device according to a first embodiment of the new design;

FIG. 2 is a front view thereof;  
FIG. 3 is a rear view thereof;  
FIG. 4 is a left side view thereof;  
FIG. 5 is a right side view thereof;  
FIG. 6 is a top plan view thereof;  
FIG. 7 is a bottom plan view thereof;  
FIG. 8 is another perspective view thereof, shown in an open position;  
FIG. 9 is another perspective view thereof, shown in an alternative position of use;  
FIG. 10 is a perspective view of a case for electronic device according to a second embodiment of the new design;  
FIG. 11 is a front view thereof;  
FIG. 12 is a rear view thereof;  
FIG. 13 is a left side view thereof;  
FIG. 14 is a right side view thereof;  
FIG. 15 is a top plan view thereof;  
FIG. 16 is a bottom plan view thereof;  
FIG. 17 is another perspective view thereof, shown in an open position;  
FIG. 18 is another perspective view thereof, shown in an alternative position of use;  
FIG. 19 is a perspective view of a handle attachment of case for electronic device according to a third embodiment of the new design;  
FIG. 20 is a front view thereof;  
FIG. 21 is a rear view thereof;  
FIG. 22 is a left side view thereof;  
FIG. 23 is a right side view thereof;  
FIG. 24 is a top plan view thereof;  
FIG. 25 is a bottom plan view thereof;  
FIG. 26 is another perspective view thereof, shown in an open position;  
FIG. 27 is another perspective view thereof, shown in an alternative position of use;  
FIG. 28 is a perspective view of a handle attachment of case for electronic device according to a fourth embodiment of the new design;  
FIG. 29 is a front view thereof;  
FIG. 30 is a rear view thereof;  
FIG. 31 is a left side view thereof;  
FIG. 32 is a right side view thereof;  
FIG. 33 is a top plan view thereof;  
FIG. 34 is a bottom plan view thereof;

(Continued)

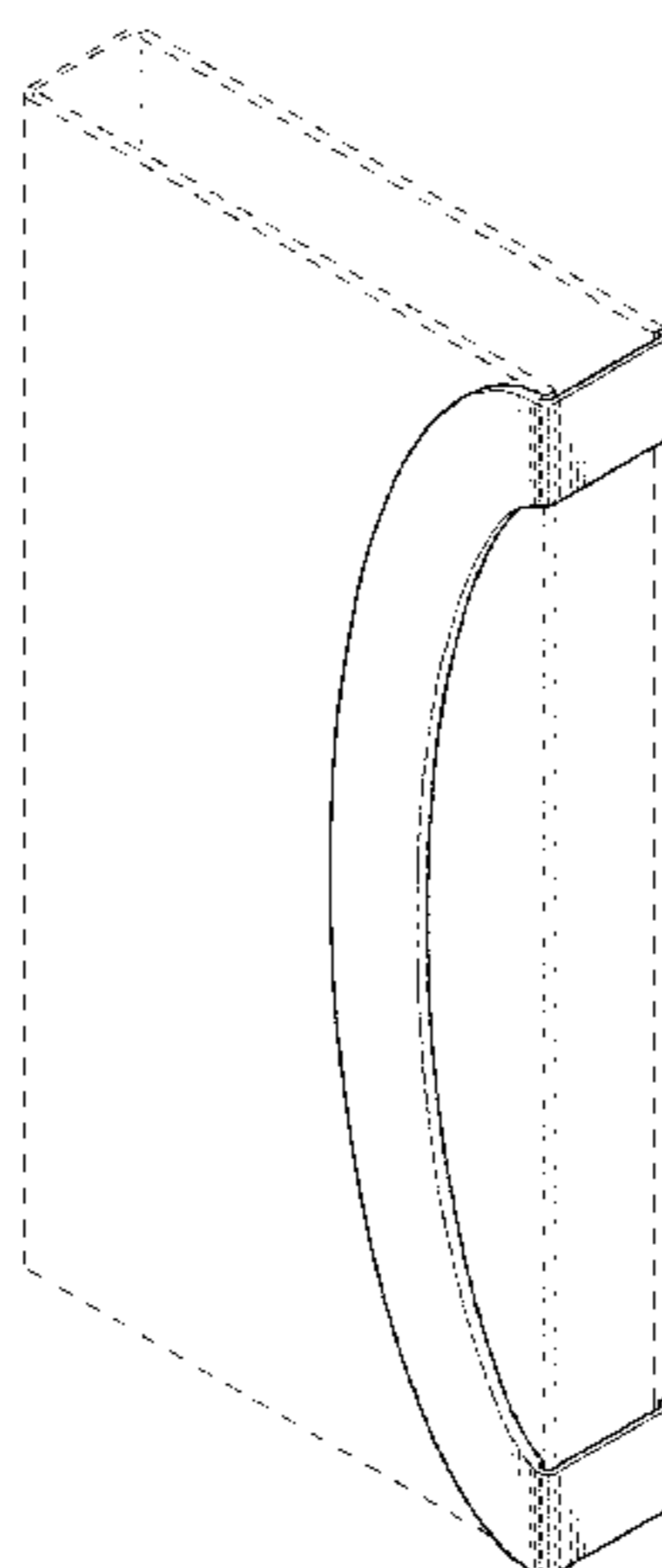


FIG. 35 is another perspective view thereof, shown in an open position;  
FIG. 36 is another perspective view thereof, shown in an alternative position of use;  
FIG. 37 is a perspective view of a fifth embodiment showing my new design;  
FIG. 38 is a front view thereof;  
FIG. 39 is a rear view thereof;  
FIG. 40 is a left side view thereof;  
FIG. 41 is a right side view thereof;  
FIG. 42 is a top plan view thereof;  
FIG. 43 is bottom plan view thereof;  
FIG. 44 is another perspective view thereof, shown in an open position; and,  
FIG. 45 is another perspective, environmental view thereof. The broken lines in the Figures show unclaimed subject matter only and form no part of the claimed design.

**1 Claim, 40 Drawing Sheets**

(58) **Field of Classification Search**

CPC ..... A45C 13/08; A45C 13/26; A45C 13/28  
See application file for complete search history.

(56) **References Cited**

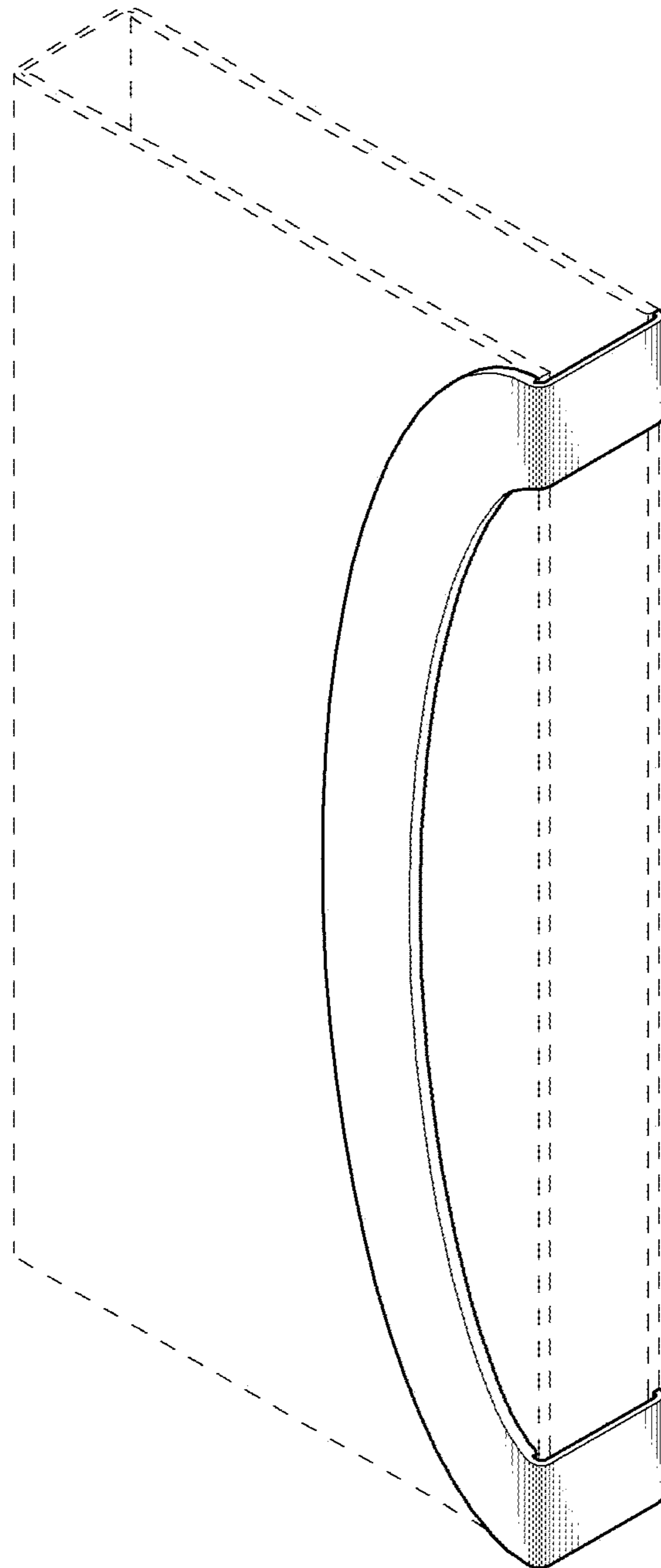
U.S. PATENT DOCUMENTS

D527,898	S	*	9/2006	Tavone	.....	D3/247
D611,249	S	*	3/2010	Uzelac	.....	D3/247
D620,252	S	*	7/2010	Keels	.....	D3/247
D666,815	S		9/2012	Janus		
D687,026	S		7/2013	Ruvolo		
D701,043	S	*	3/2014	Minn	.....	D3/247

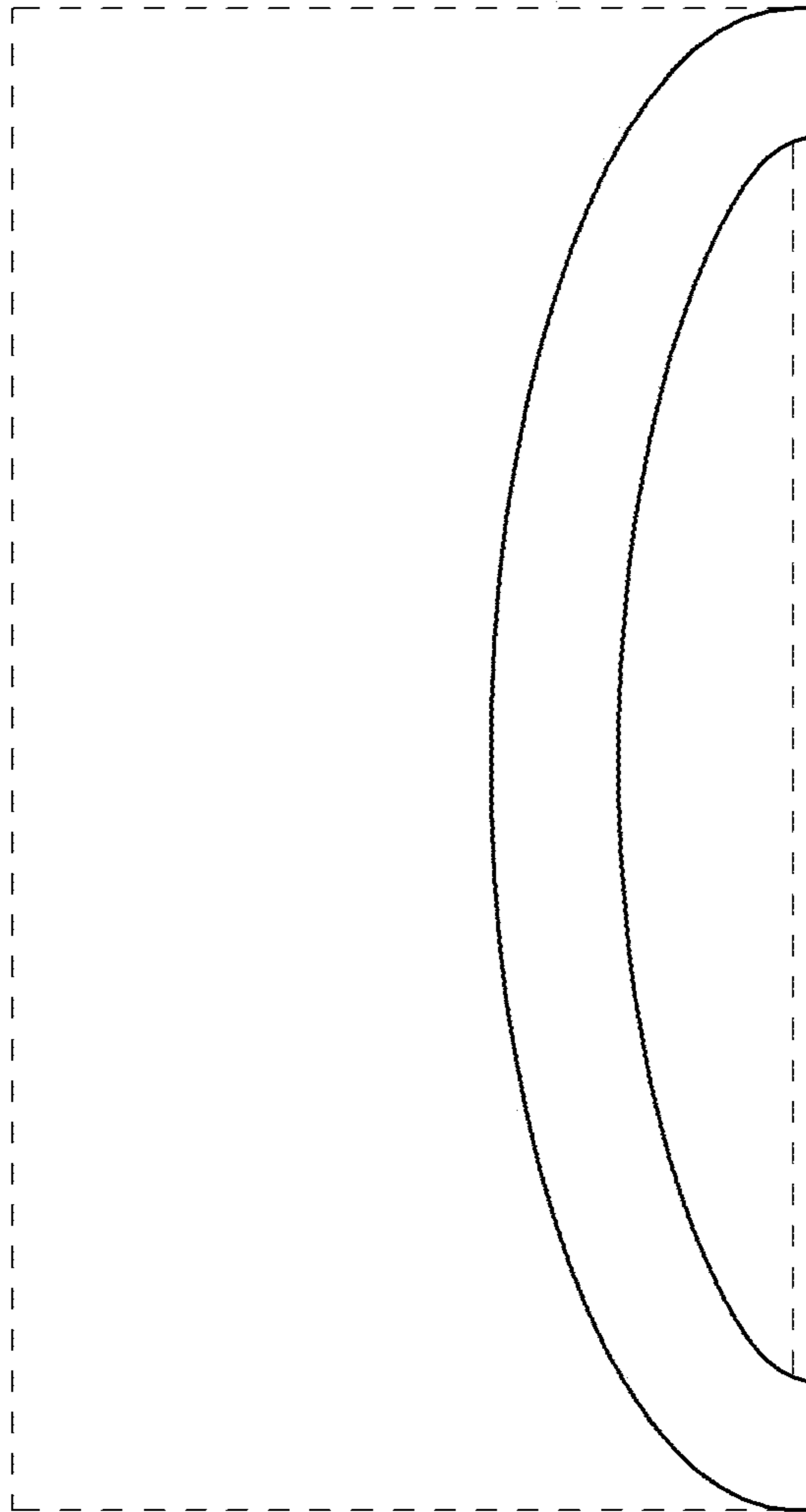
FOREIGN PATENT DOCUMENTS

KR			30-0693710	S		5/2013
KR			30-0752043	S		7/2014

\* cited by examiner



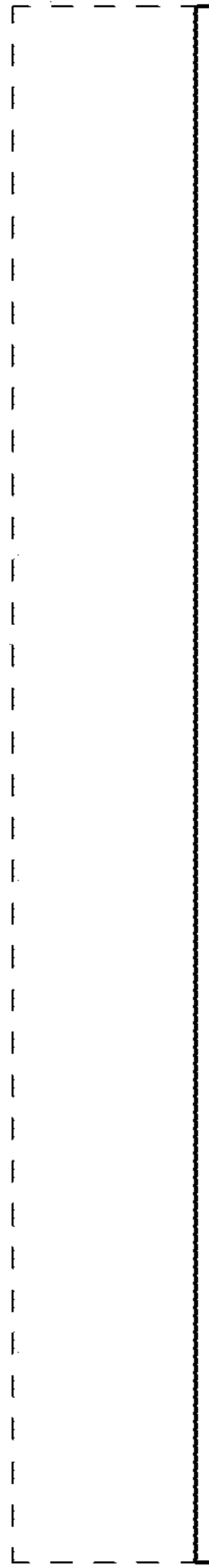
**FIG. 1**



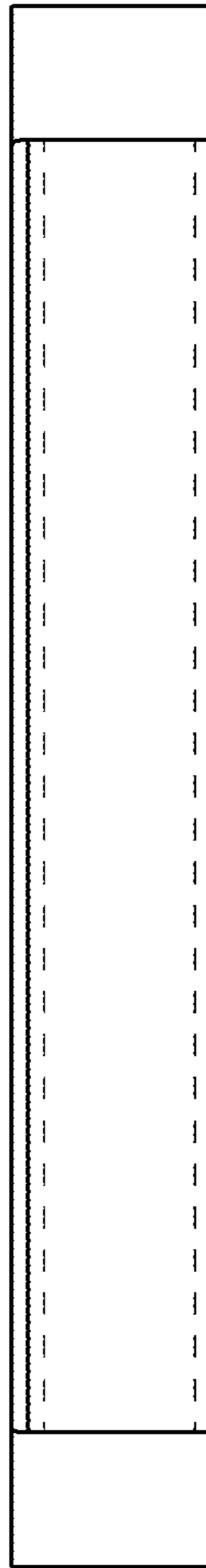
**FIG. 2**



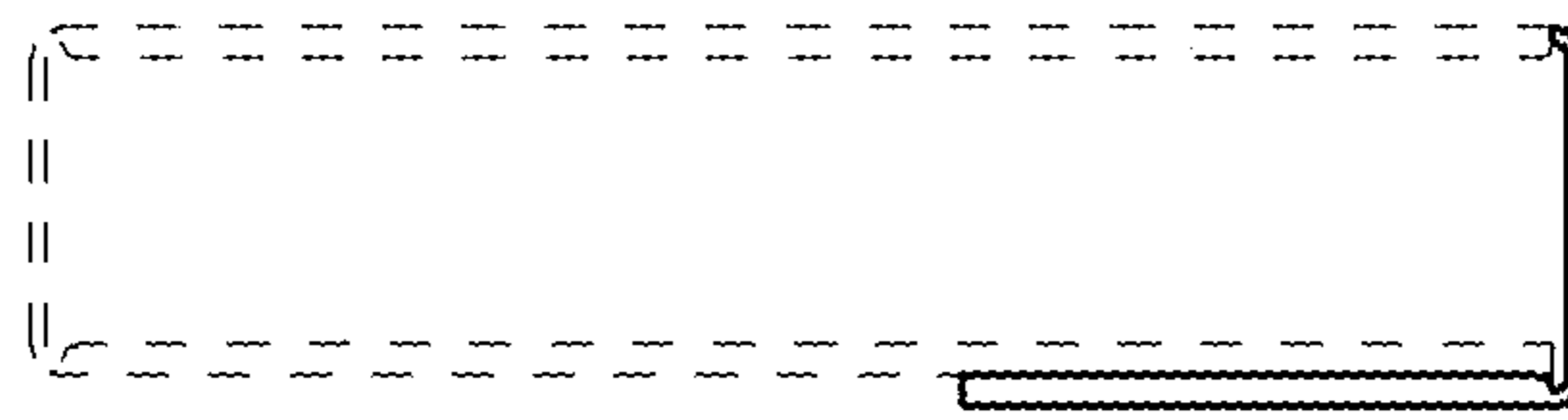
**FIG. 3**



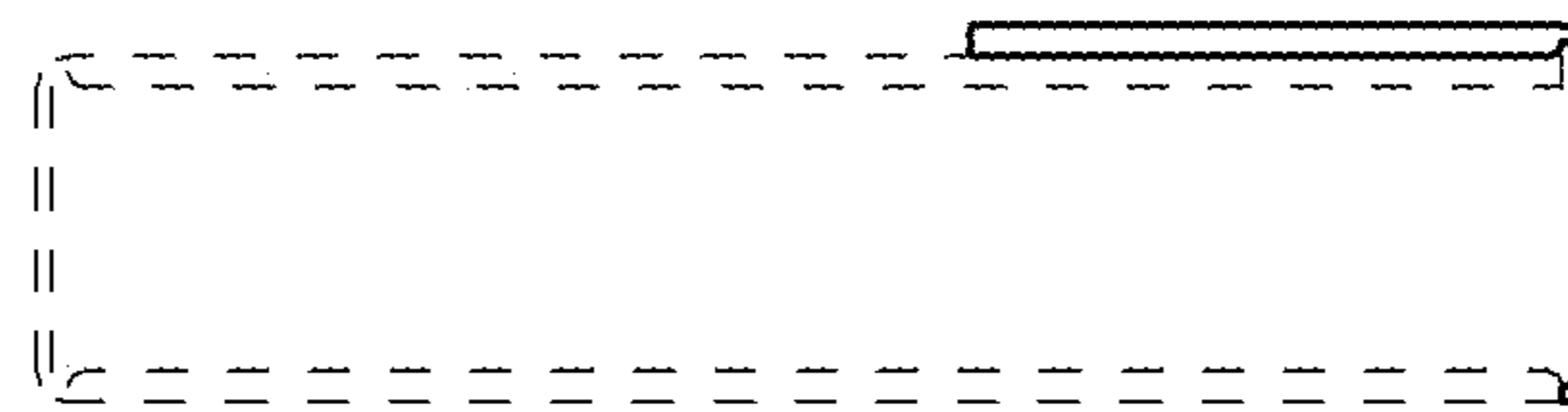
**FIG. 4**



**FIG. 5**



**FIG. 6**



**FIG. 7**



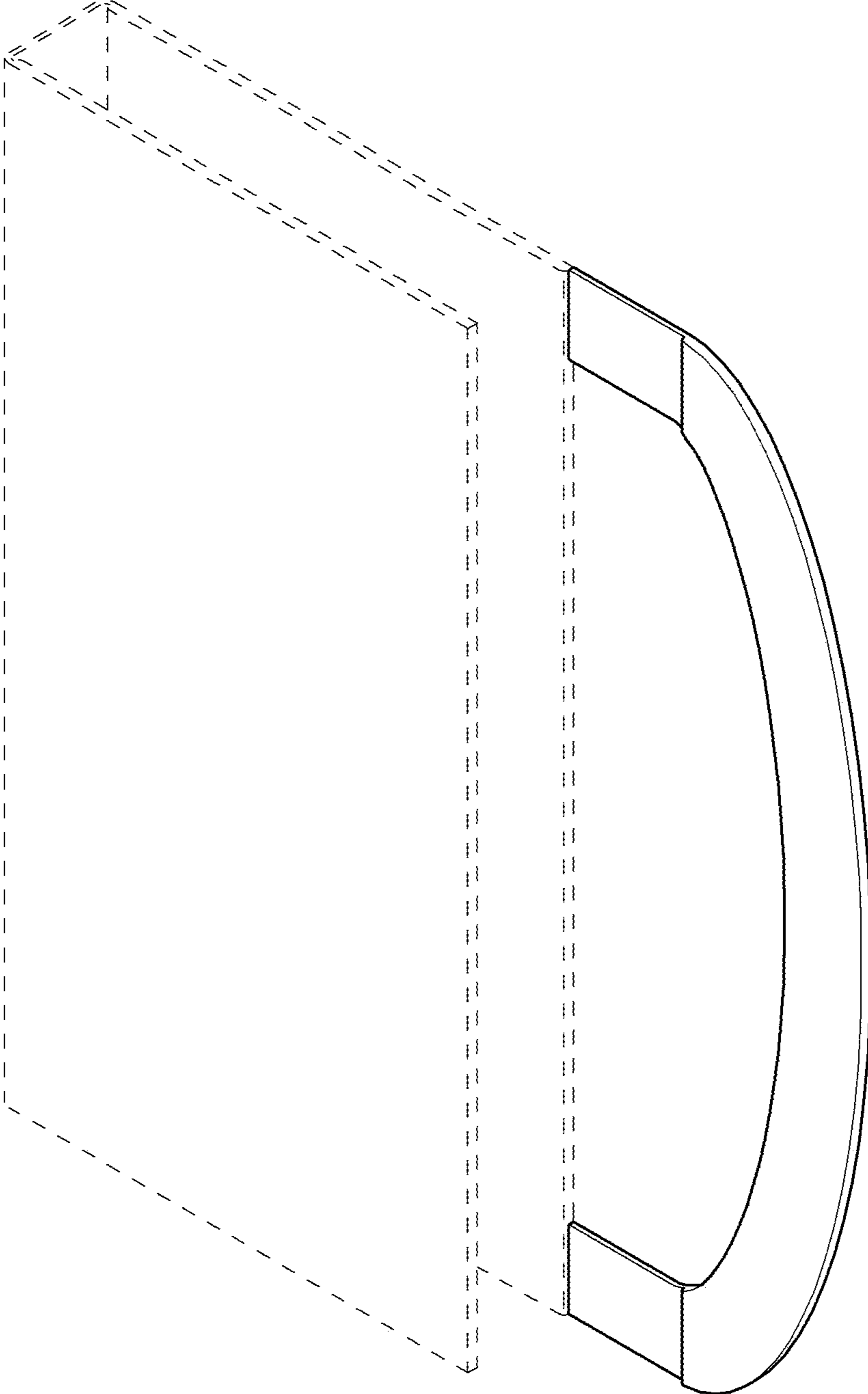


FIG. 8

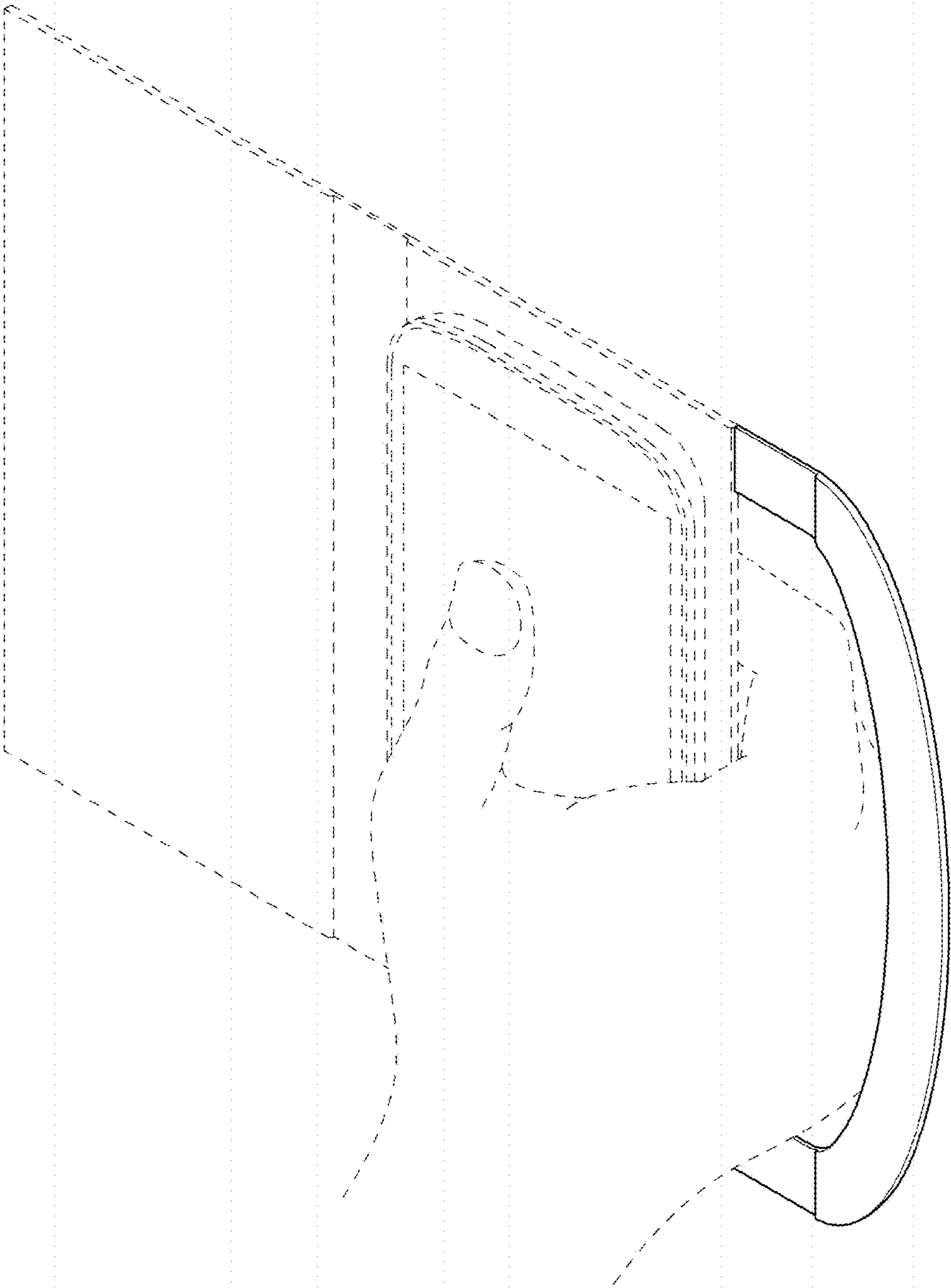
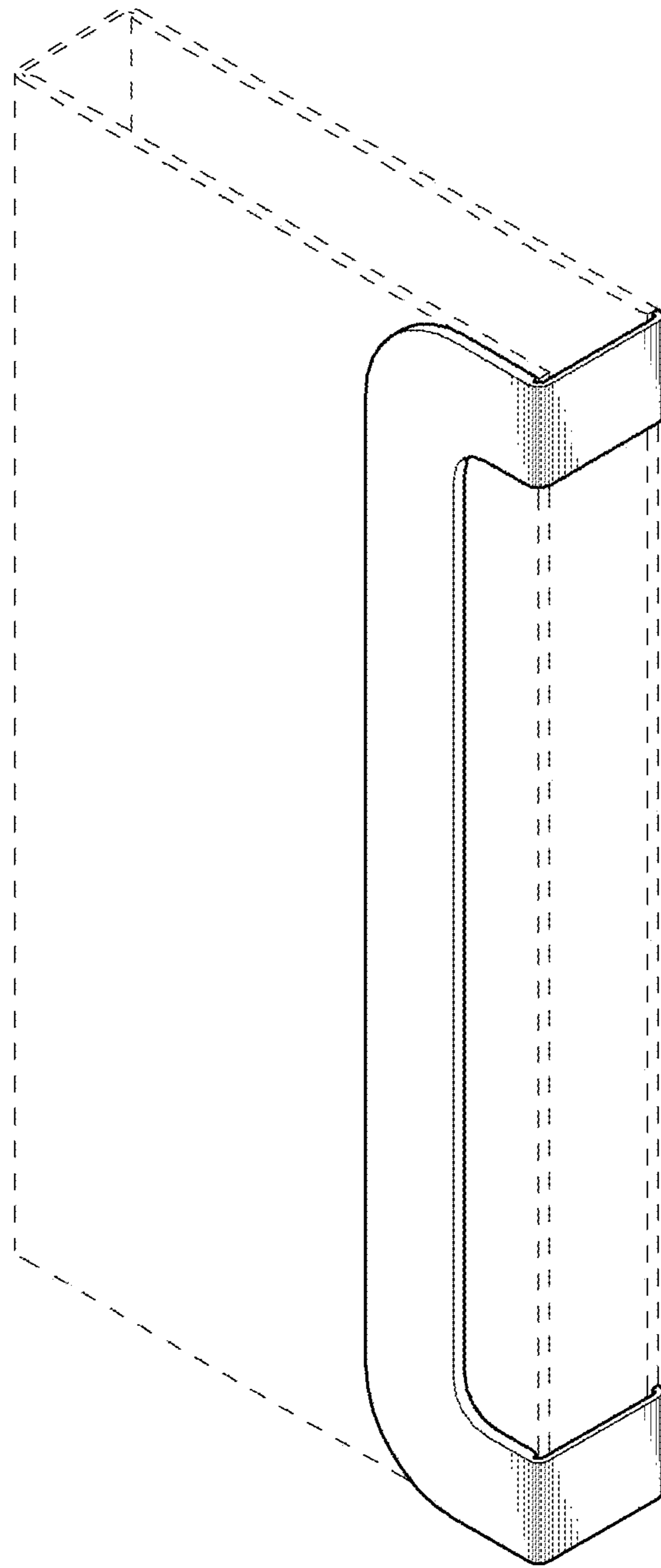
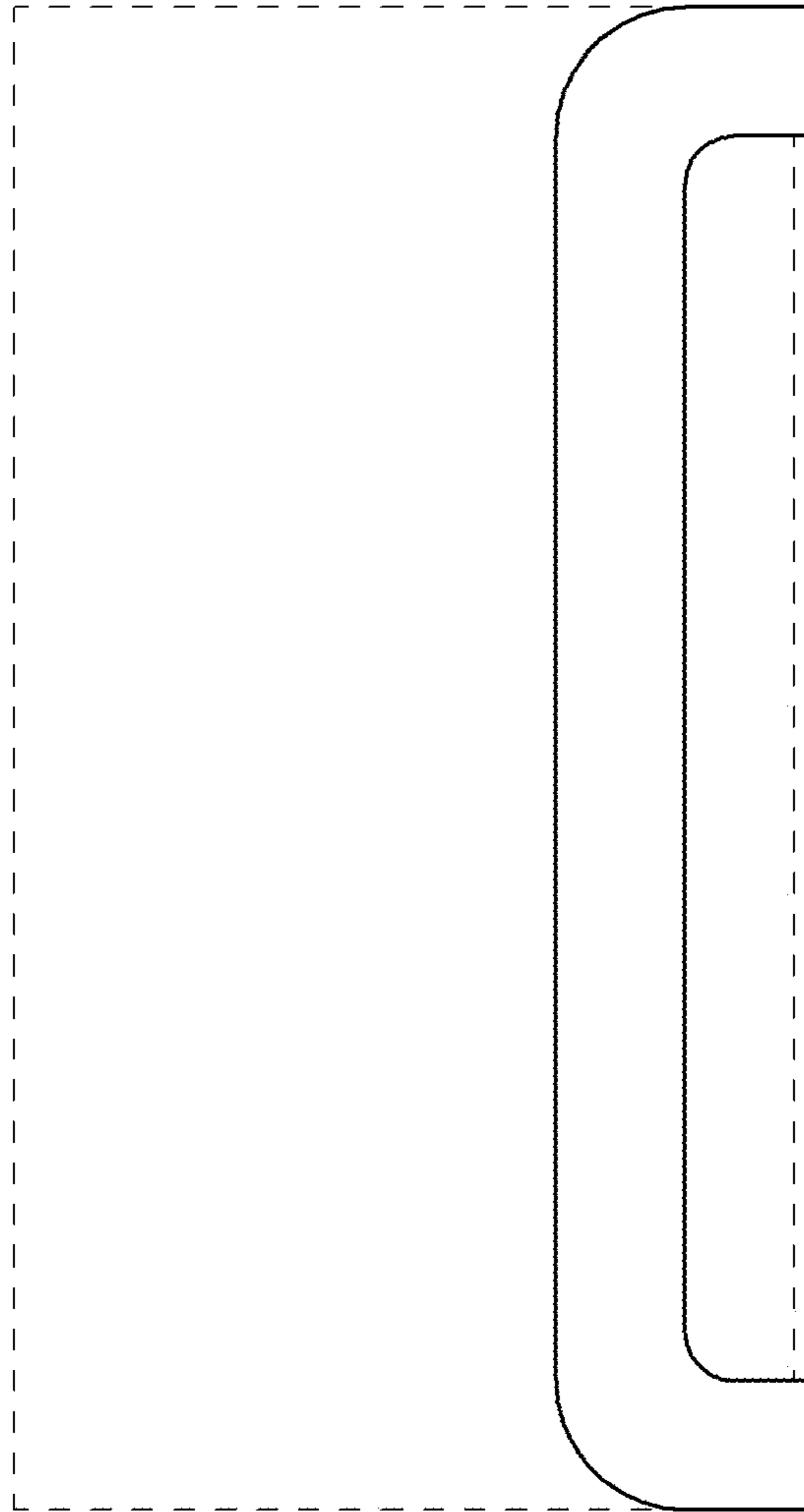


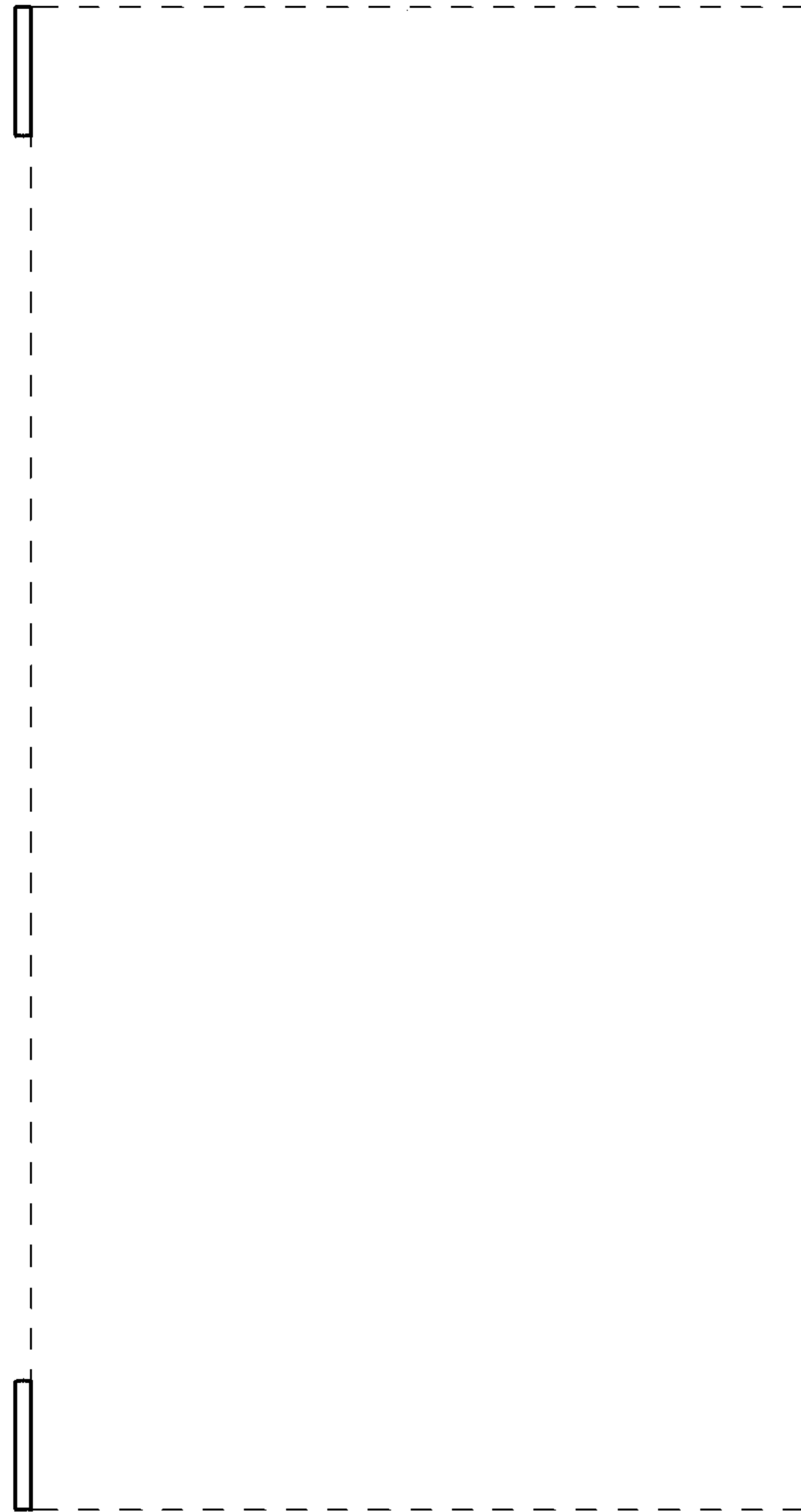
FIG. 9



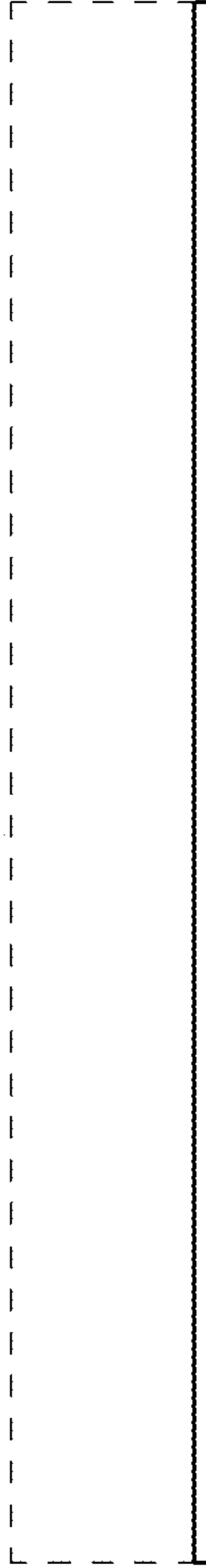
**FIG. 10**



**FIG. 11**



**FIG. 12**



**FIG. 13**

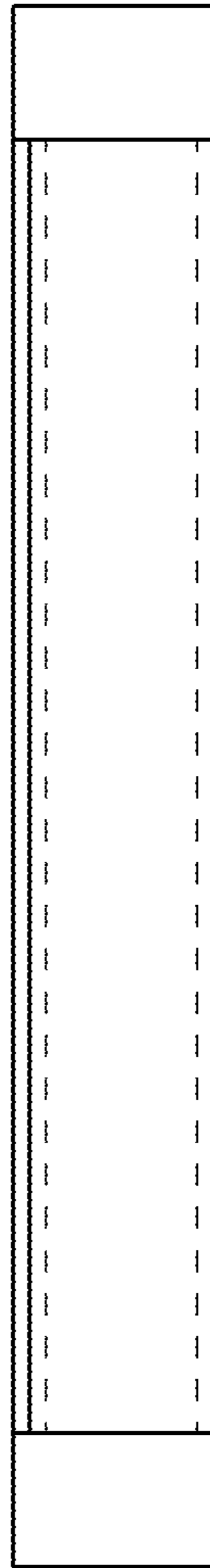
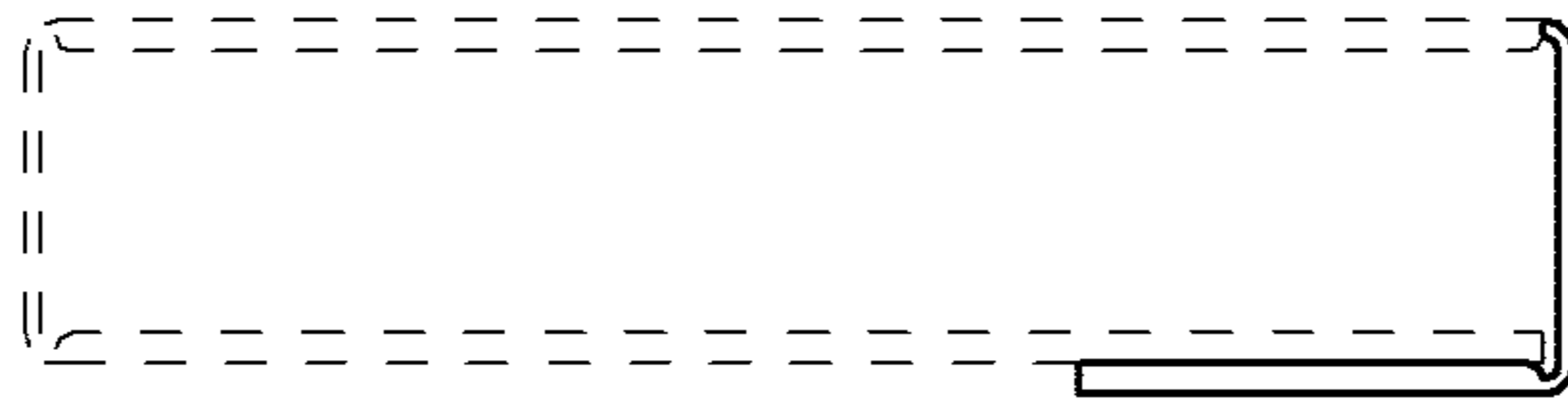
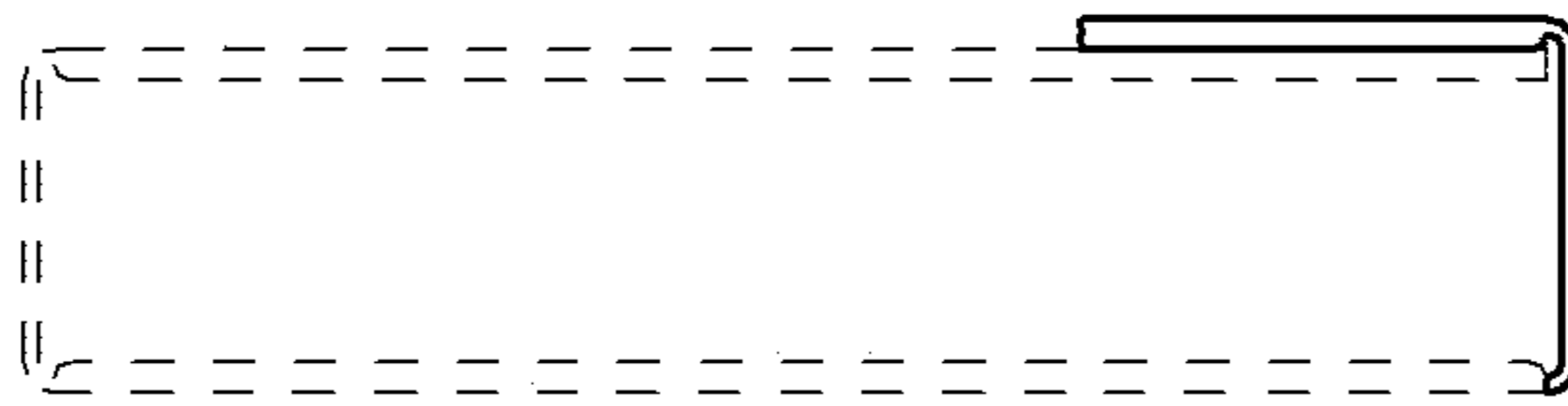


FIG. 14



**FIG. 15**



**FIG. 16**



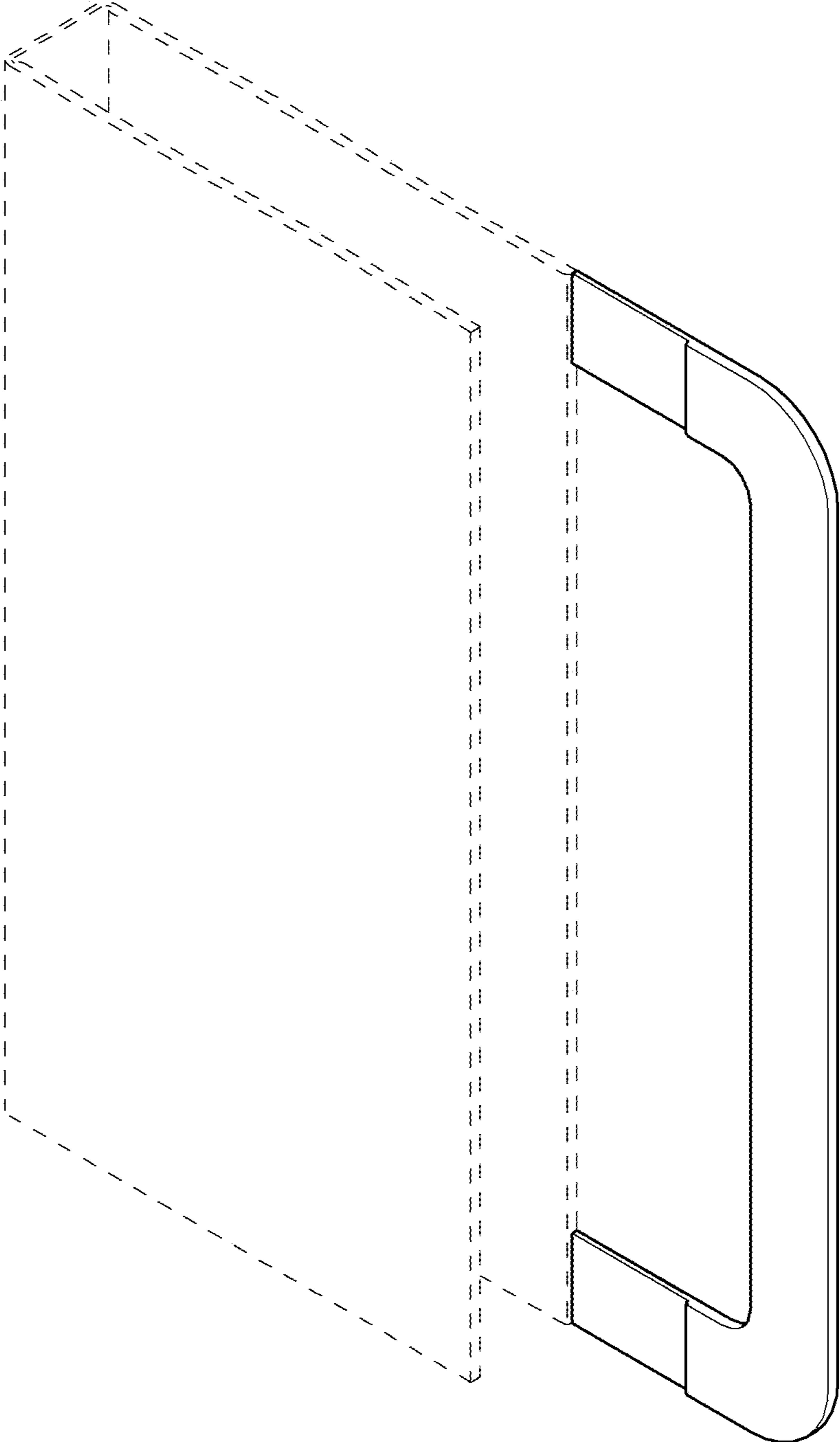
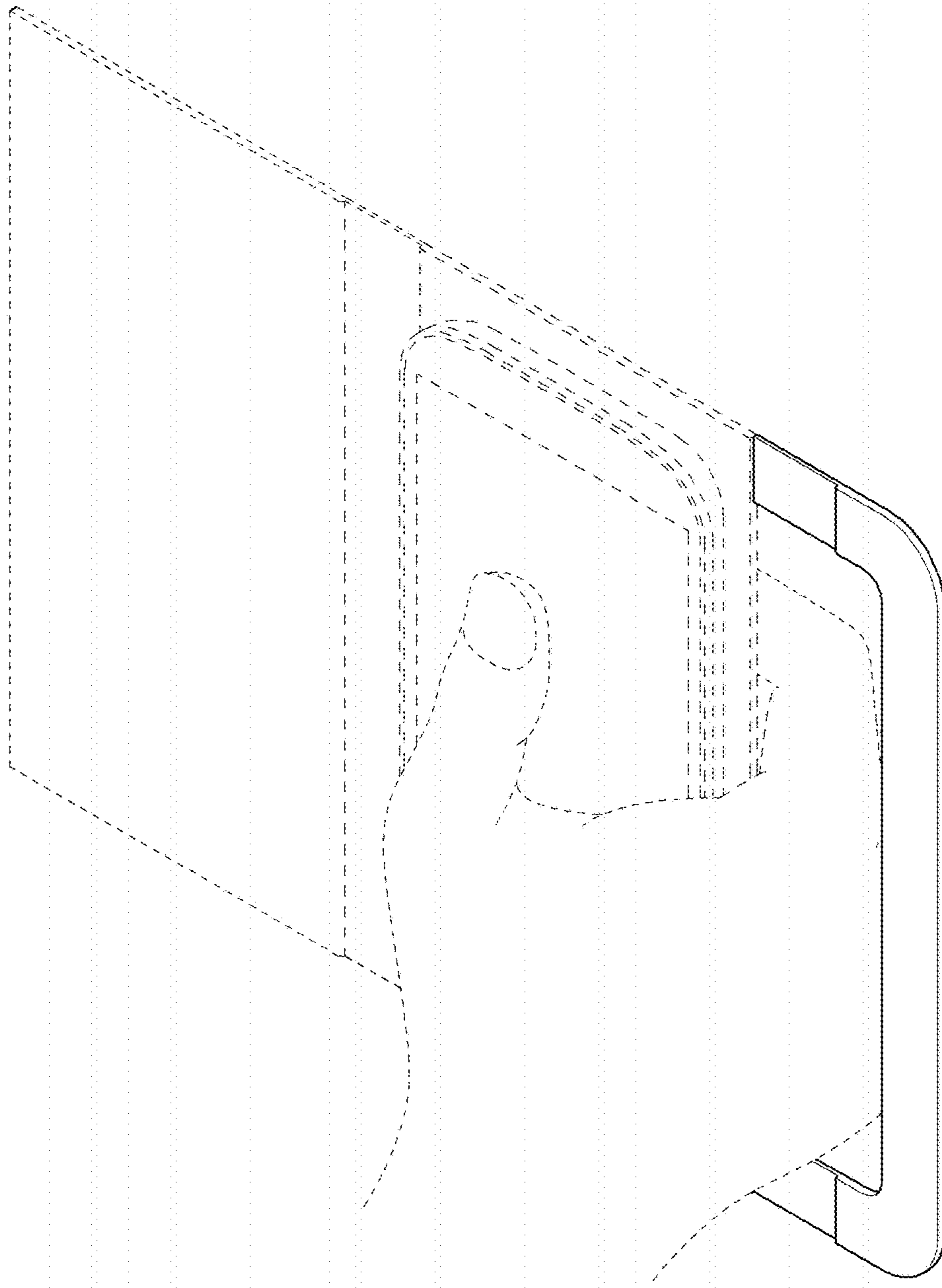


FIG. 17



**FIG. 18**

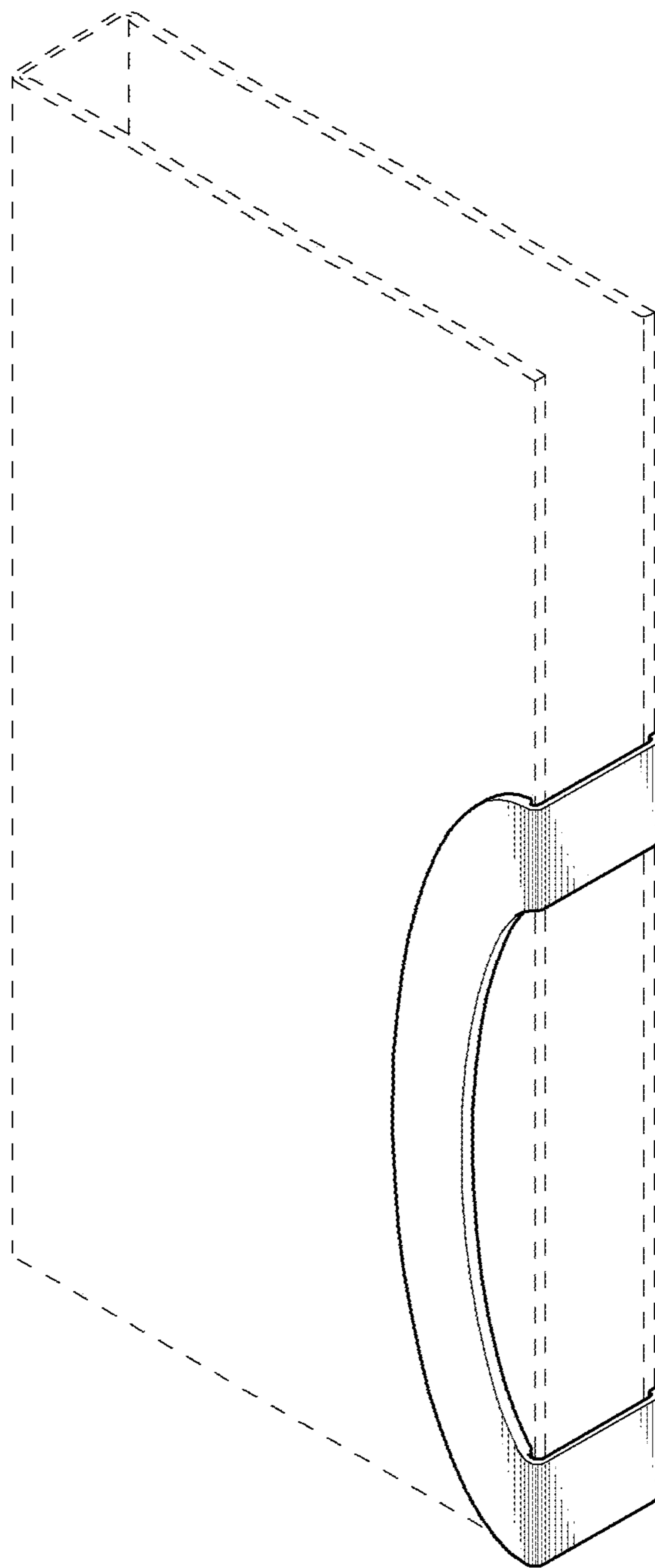
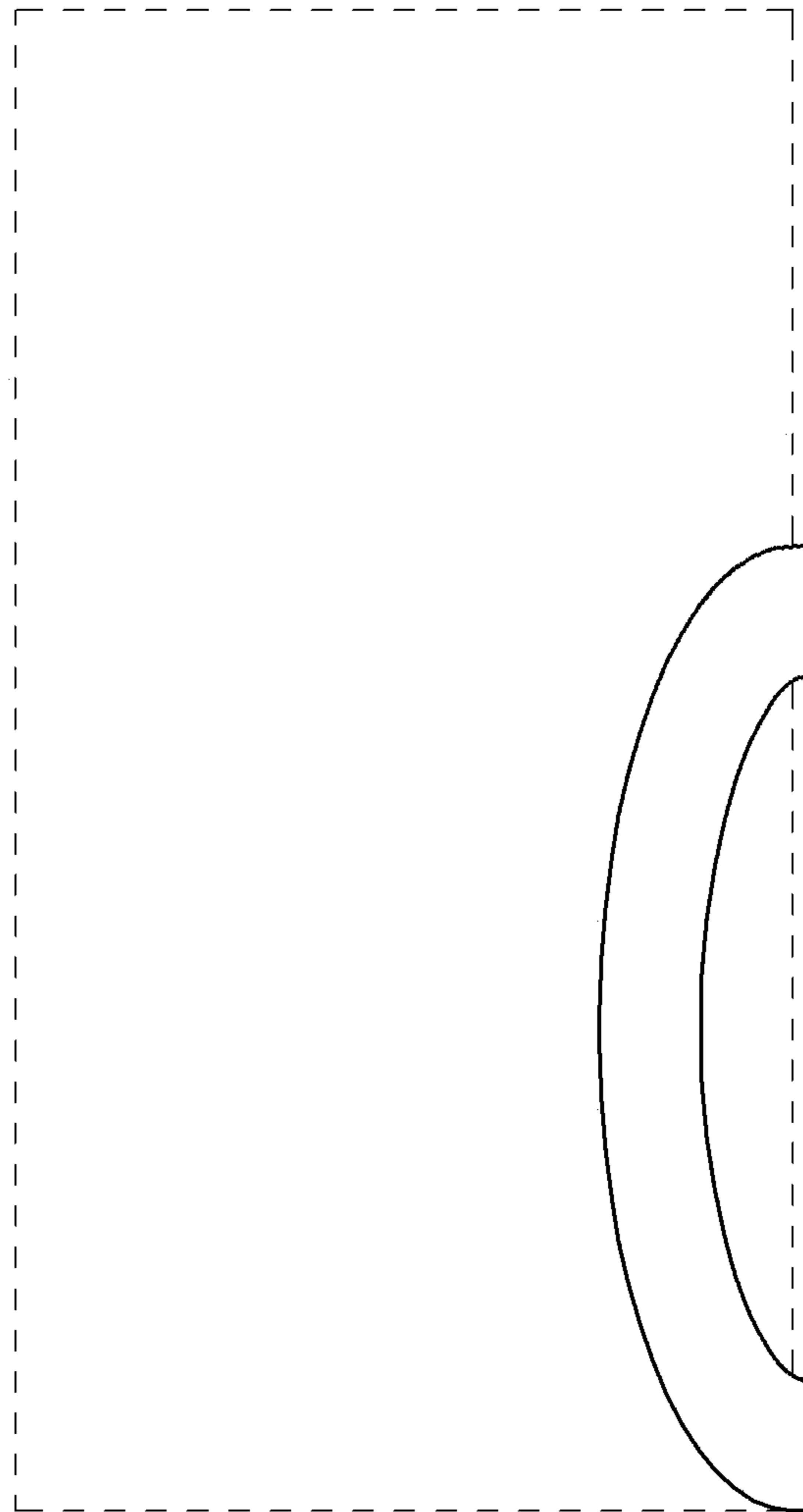
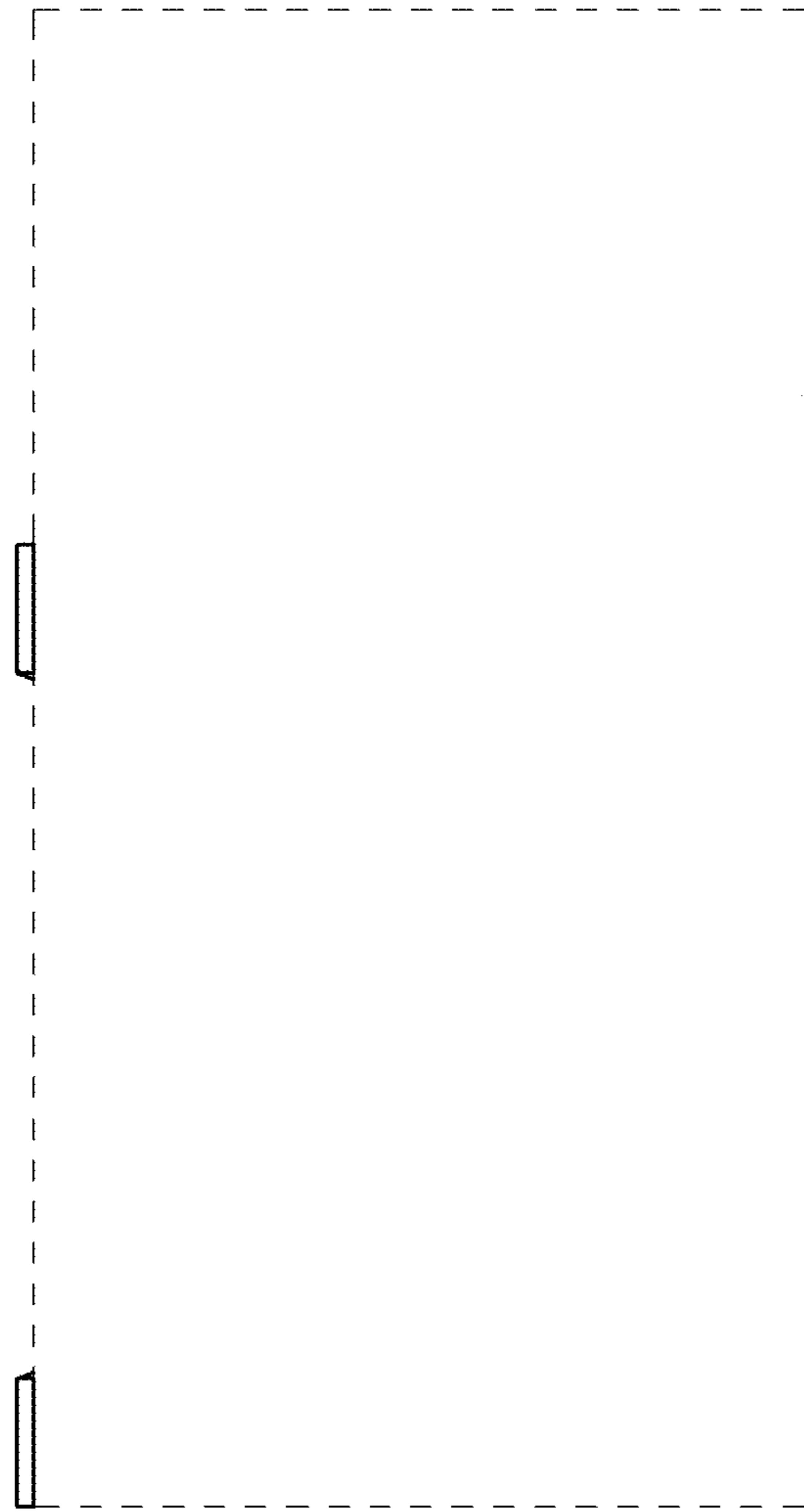


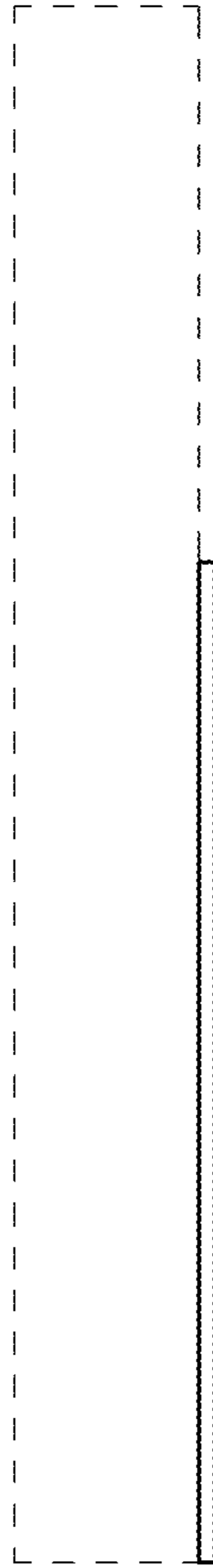
FIG. 19



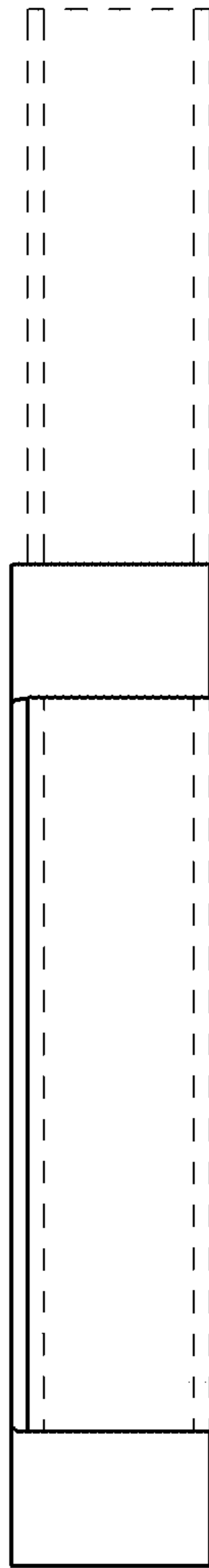
**FIG. 20**



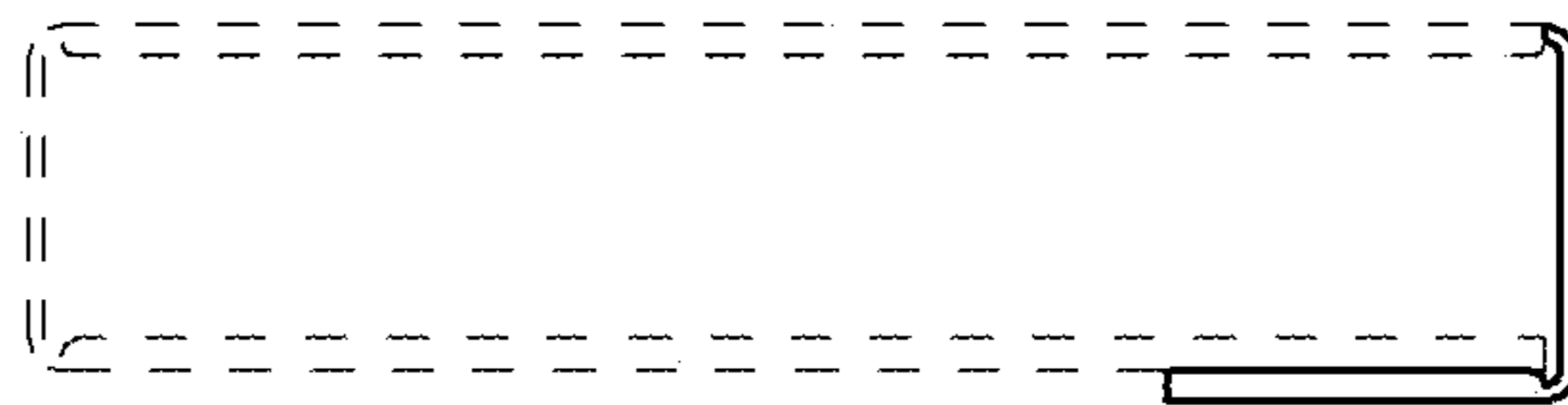
**FIG. 21**



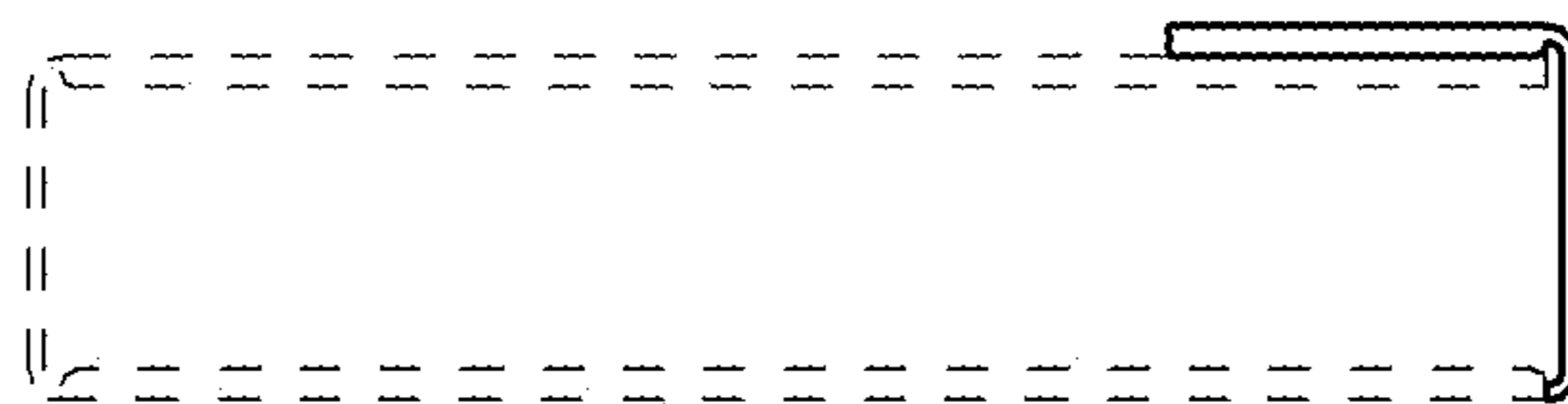
**FIG. 22**



**FIG. 23**



**FIG. 24**



**FIG. 25**



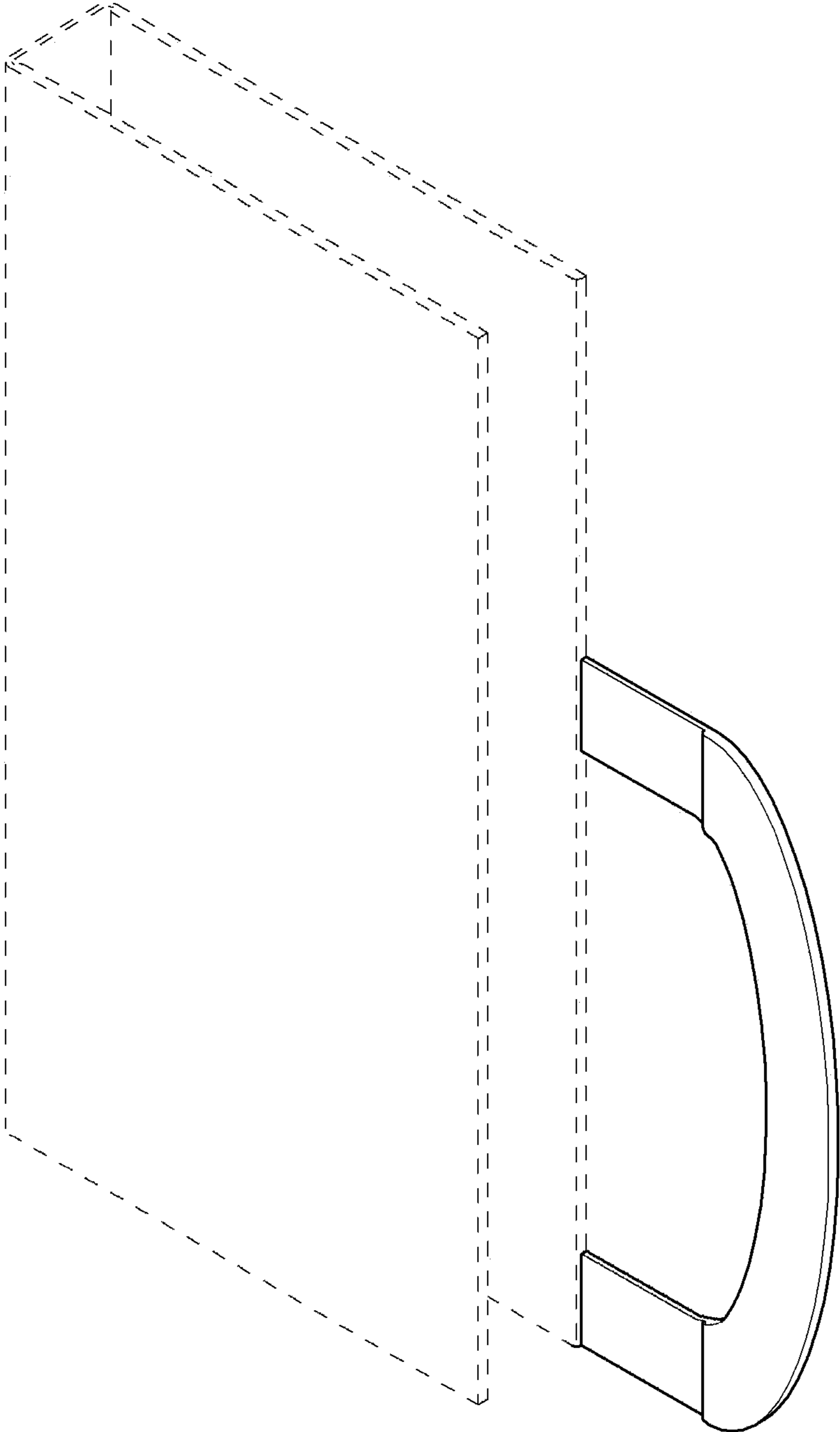


FIG. 26

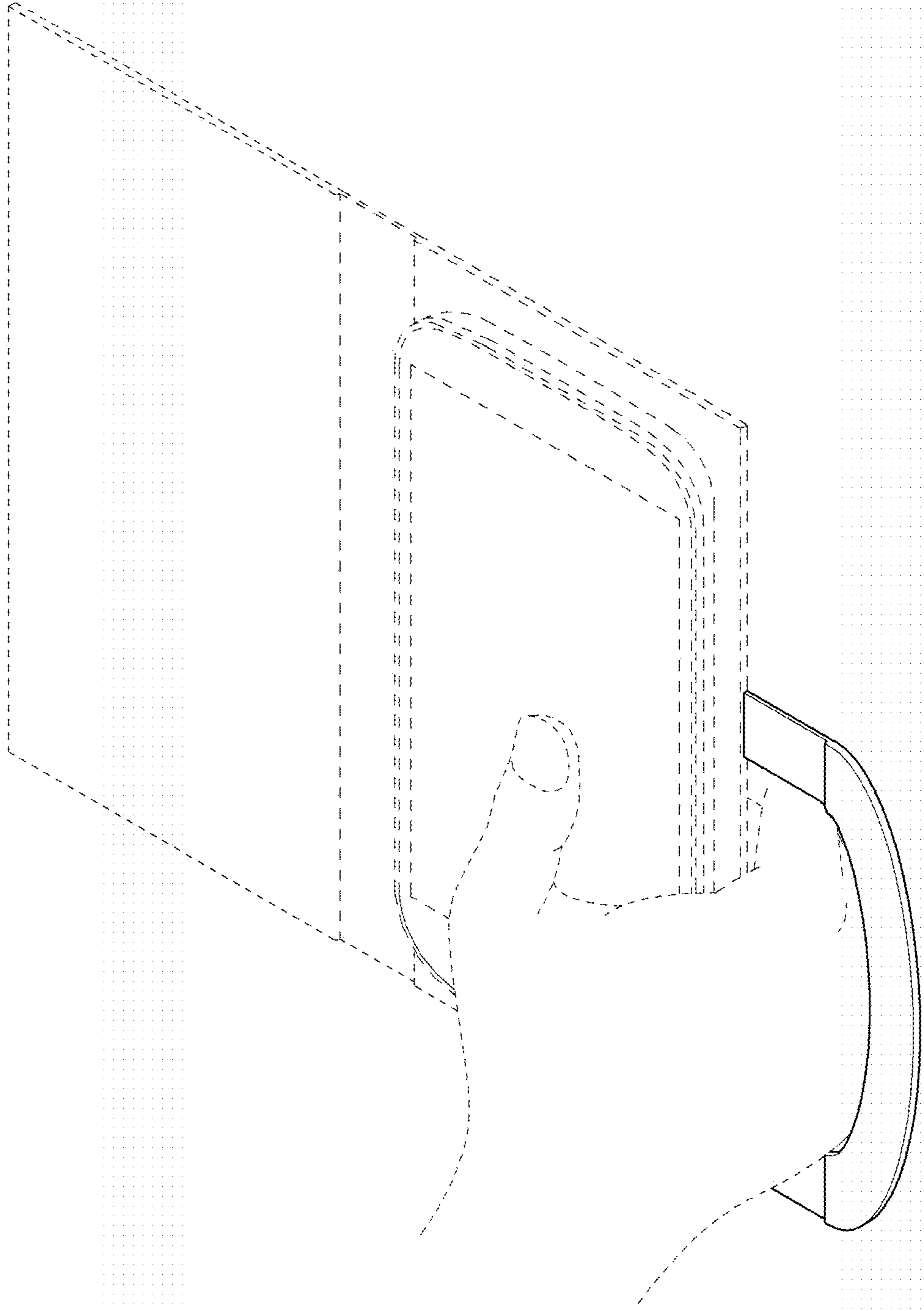


FIG. 27

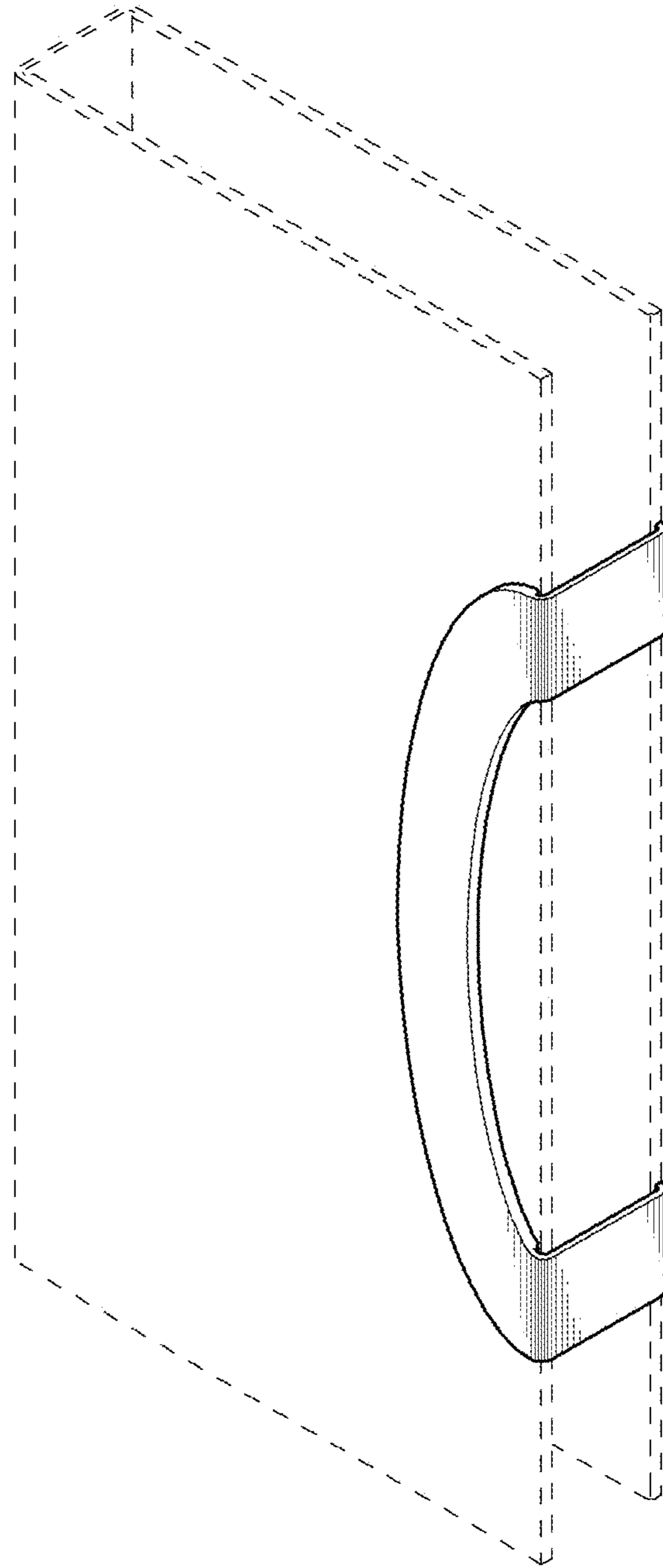
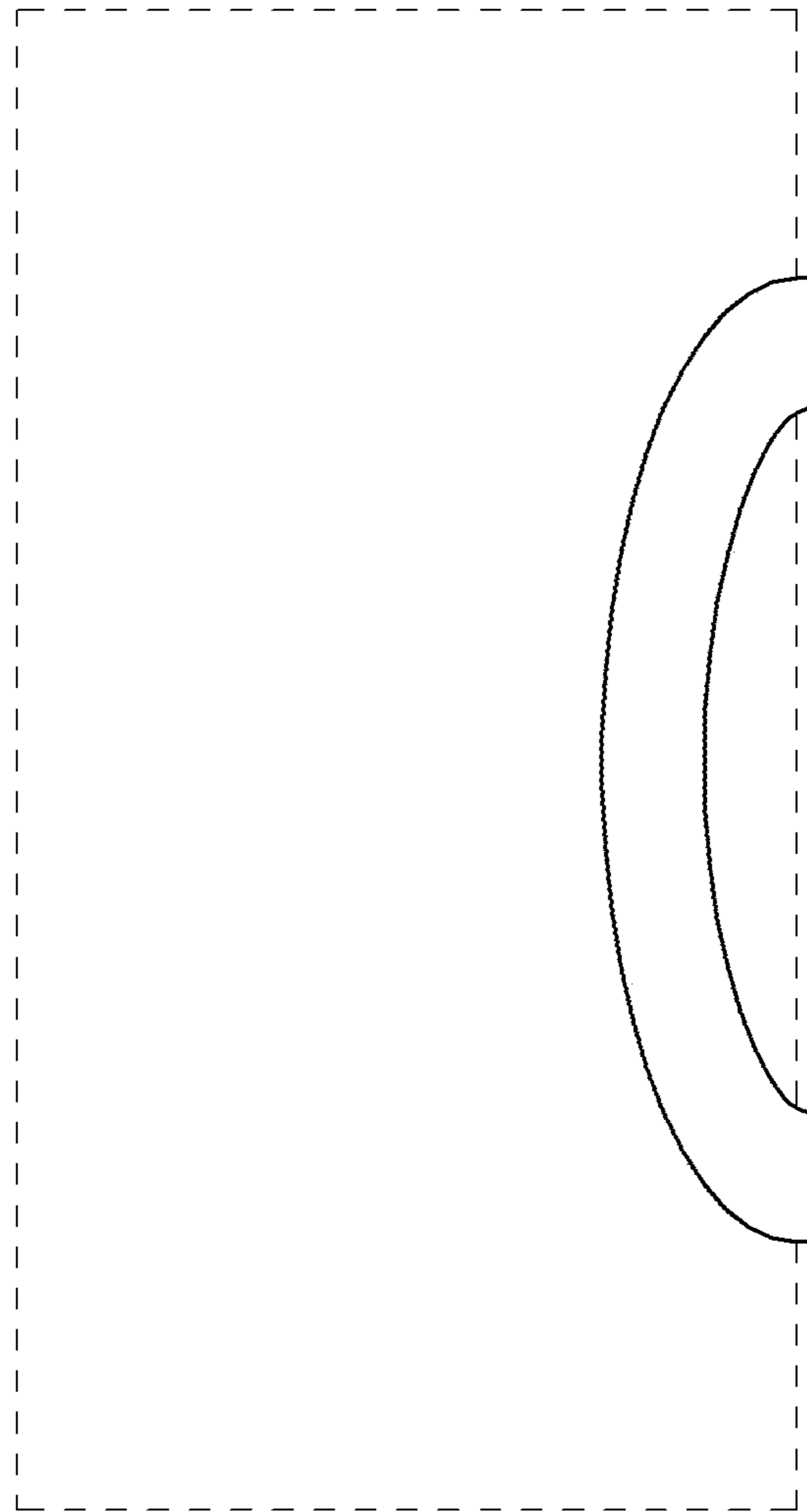
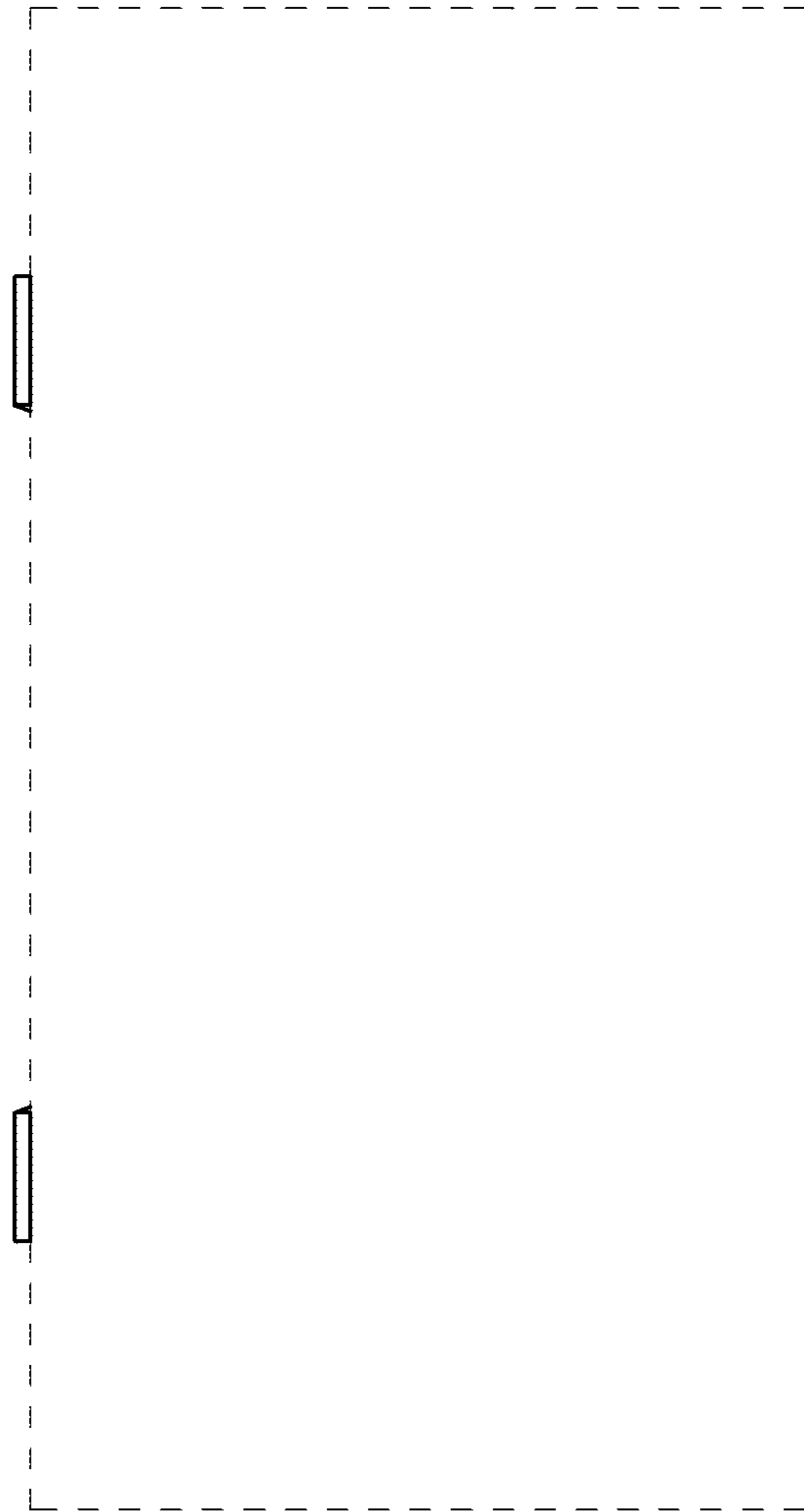


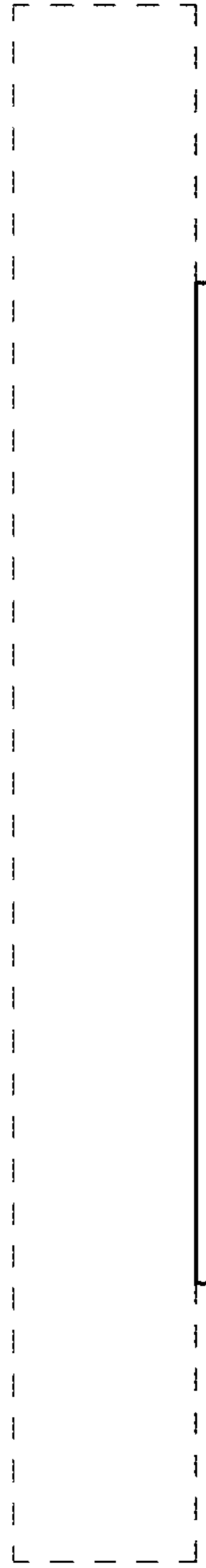
FIG. 28



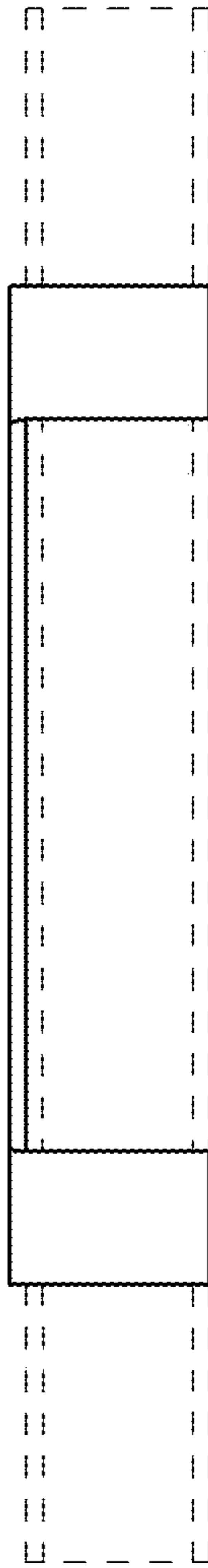
**FIG. 29**



**FIG. 30**



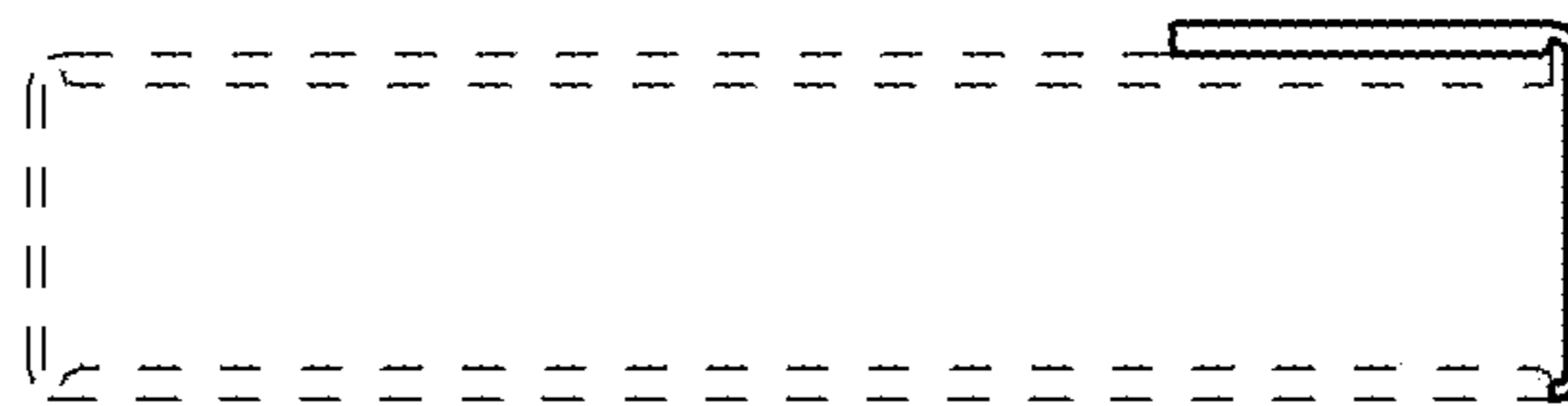
**FIG. 31**



**FIG. 32**



**FIG. 33**



**FIG. 34**



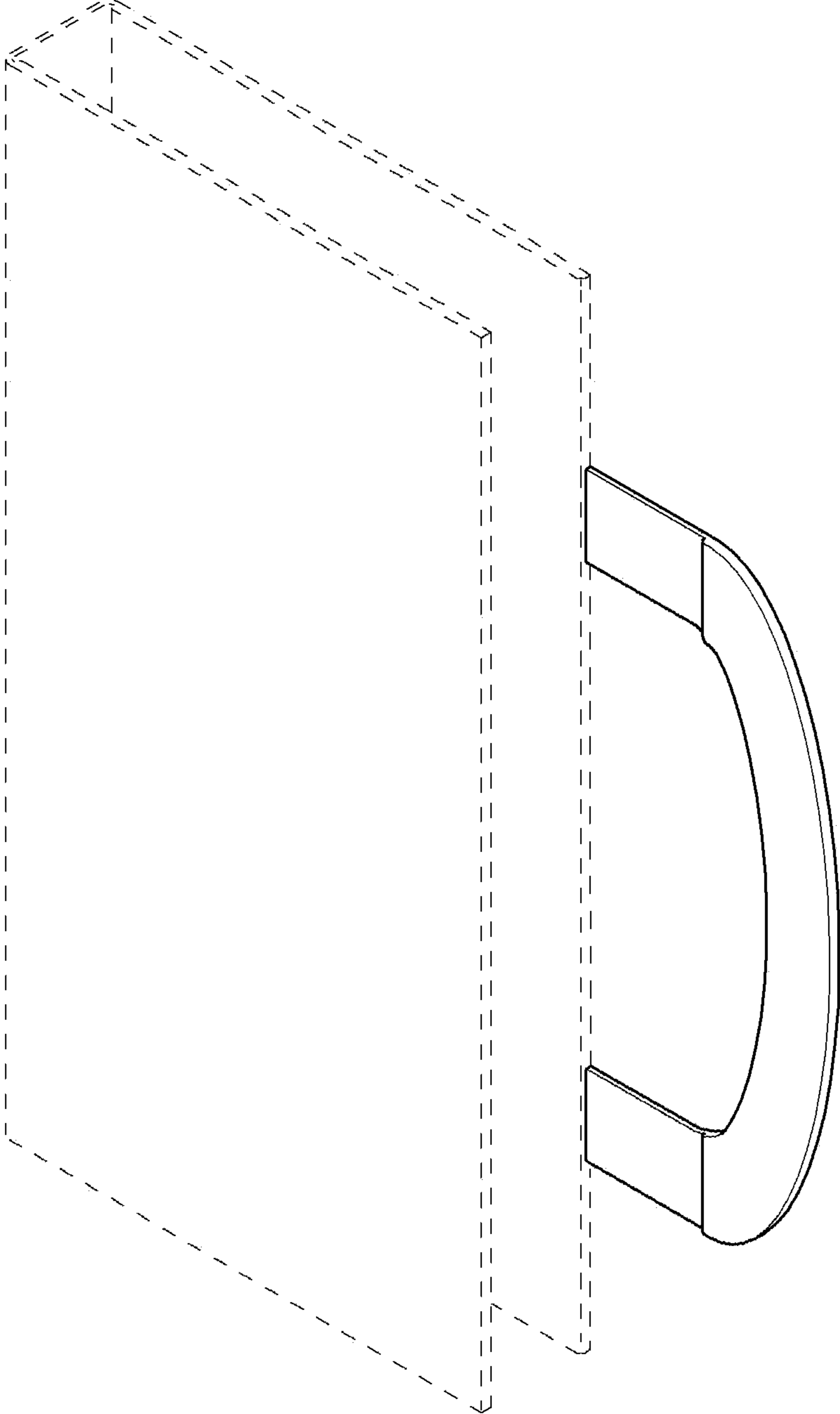


FIG. 35

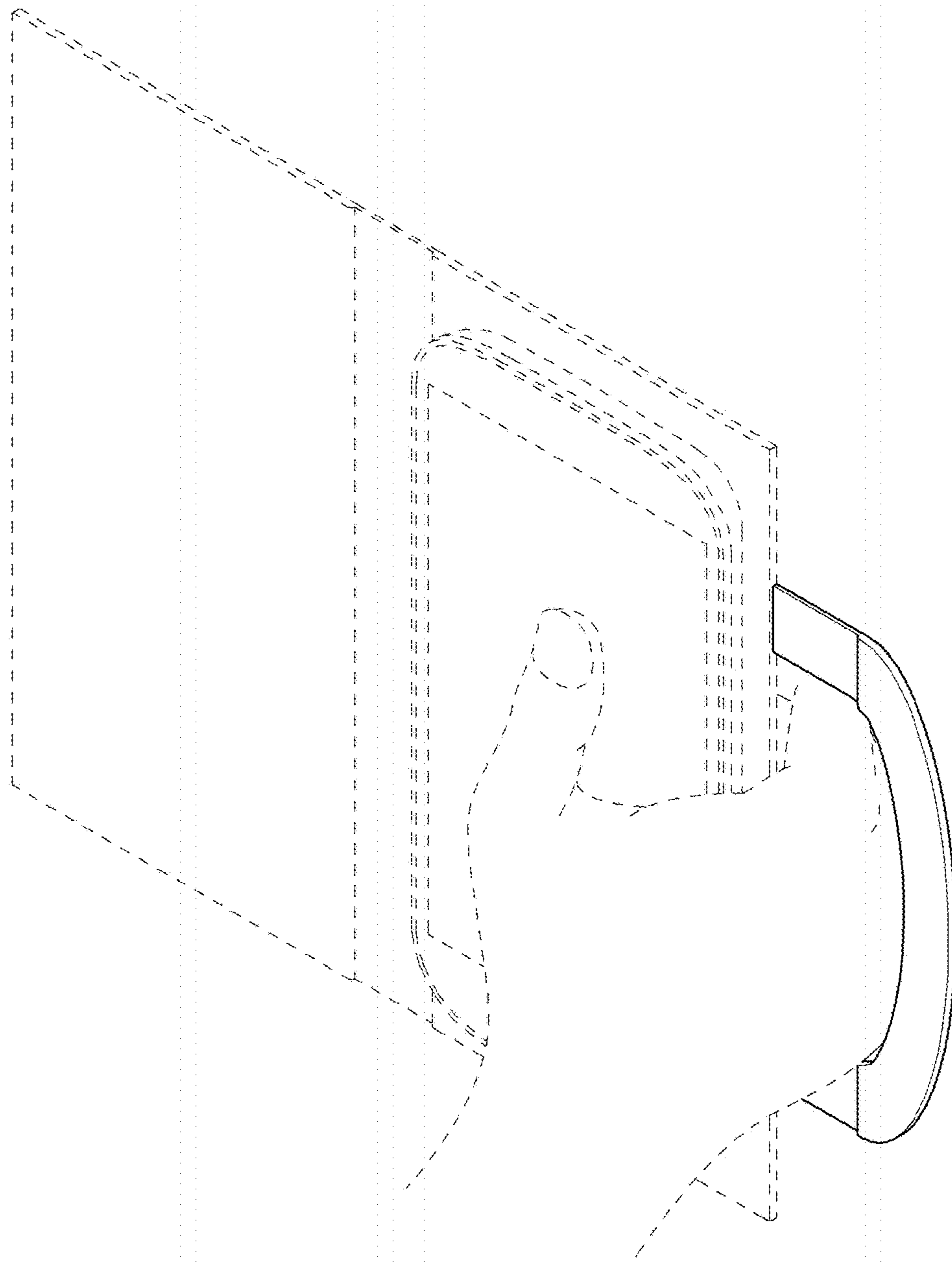


FIG. 36

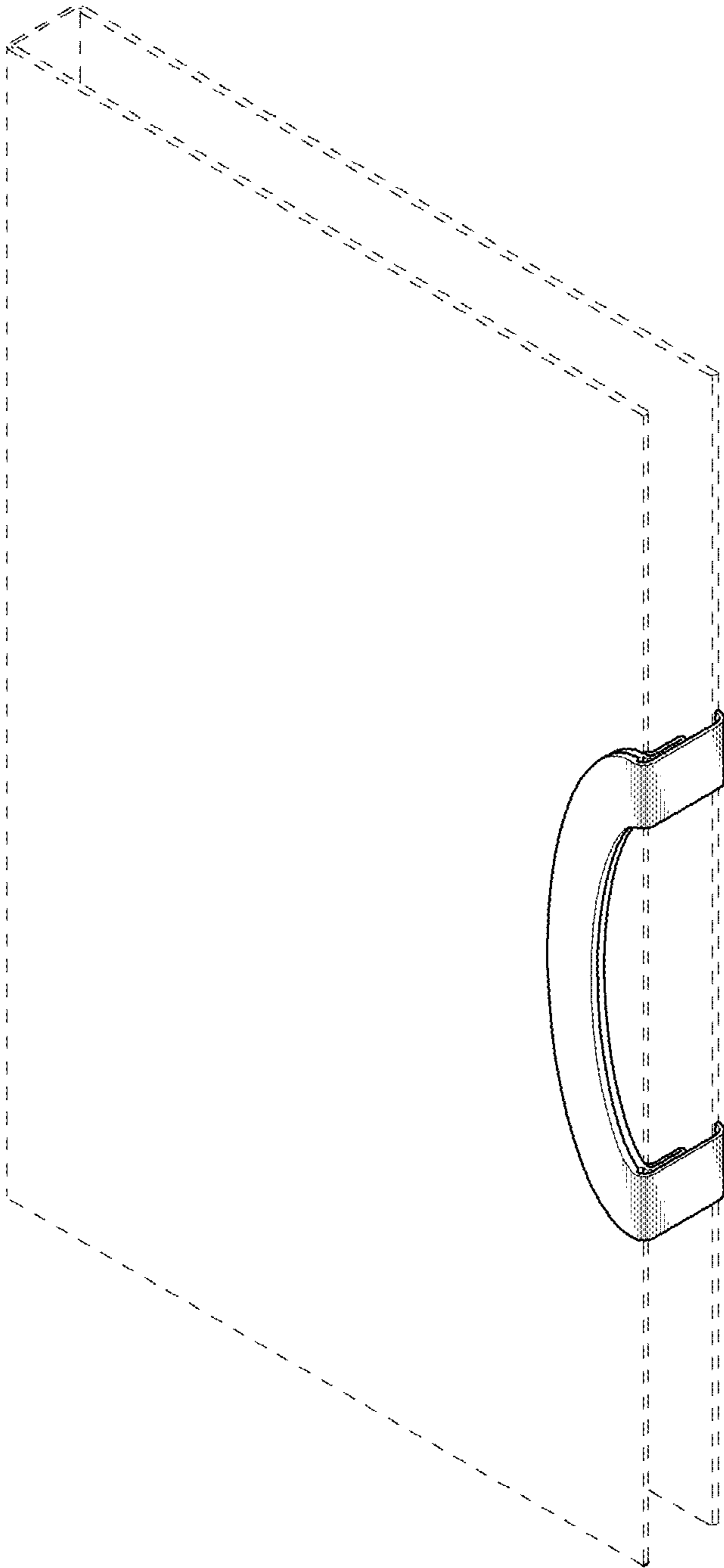
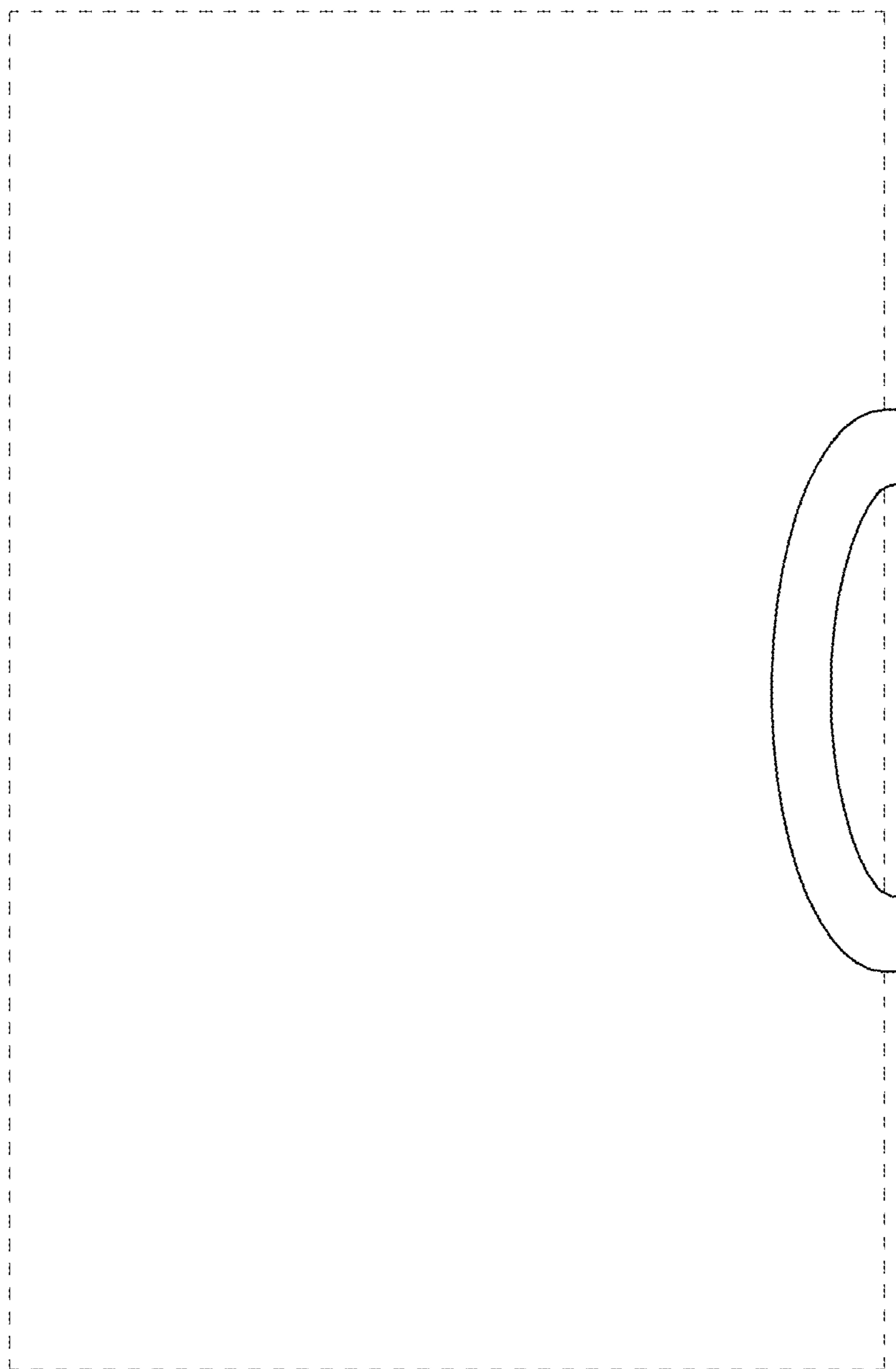
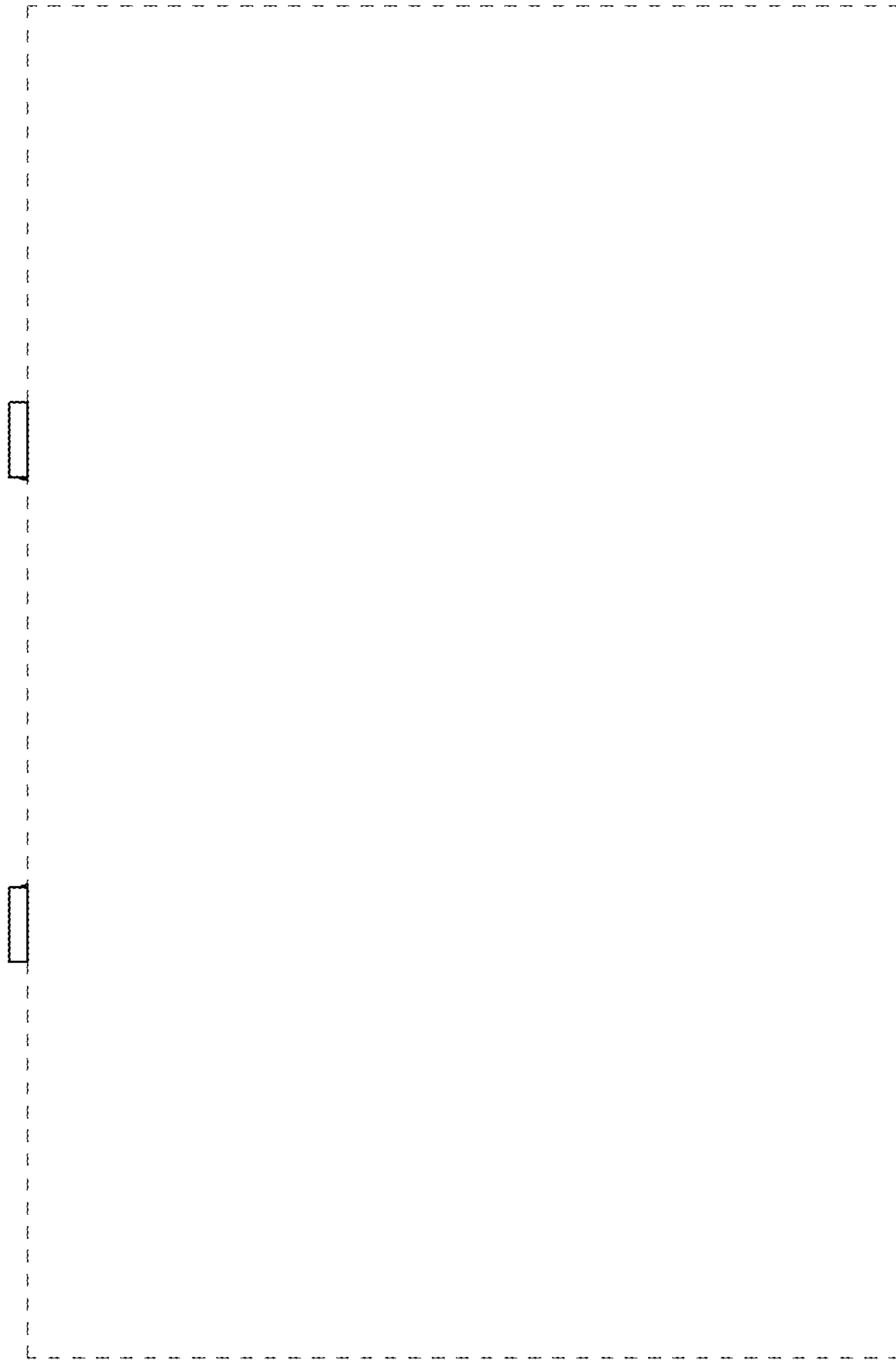


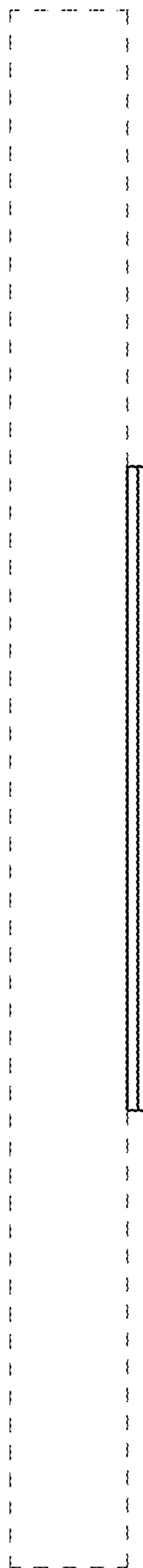
FIG. 37



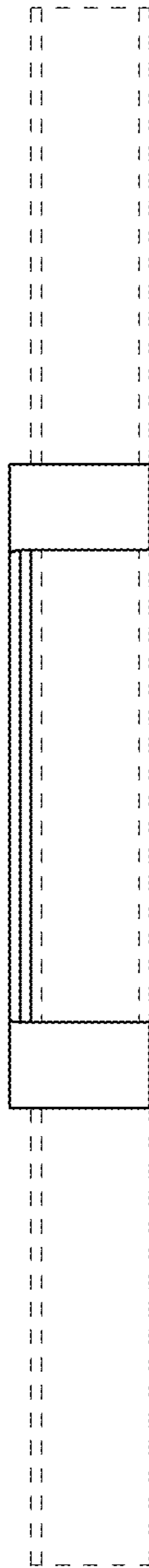
**FIG. 38**



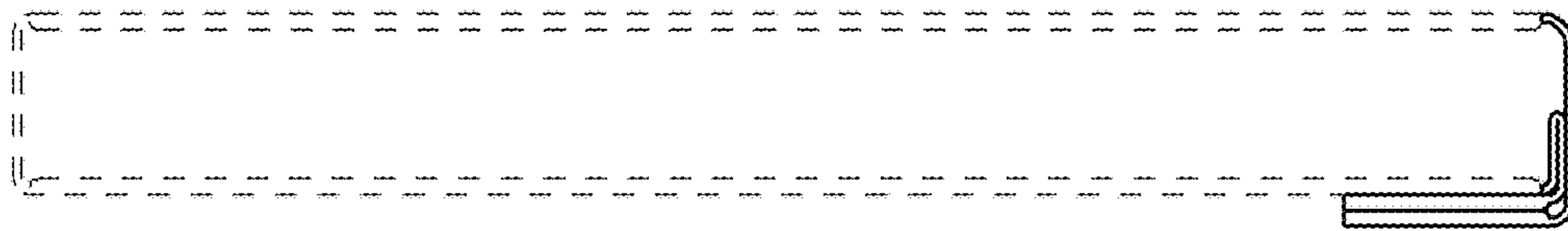
**FIG. 39**



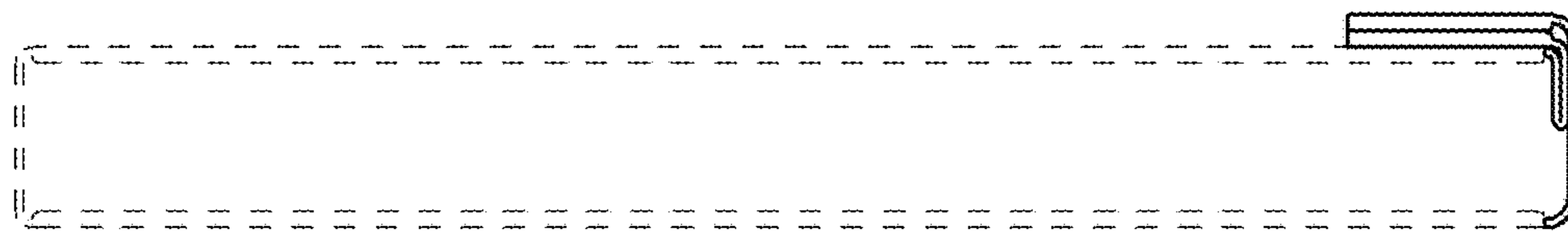
**FIG. 40**



**FIG. 41**



**FIG. 42**



**FIG. 43**



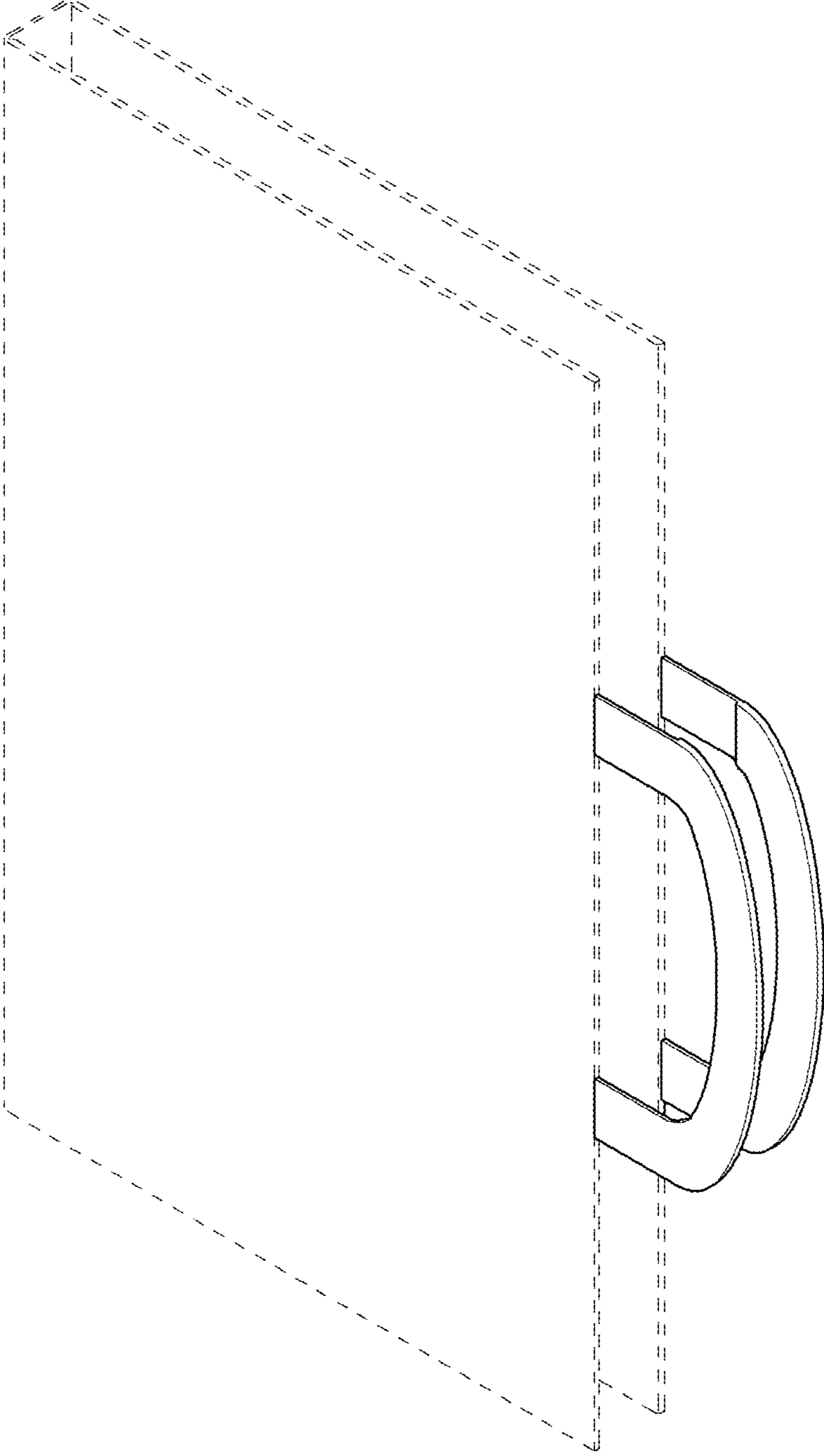
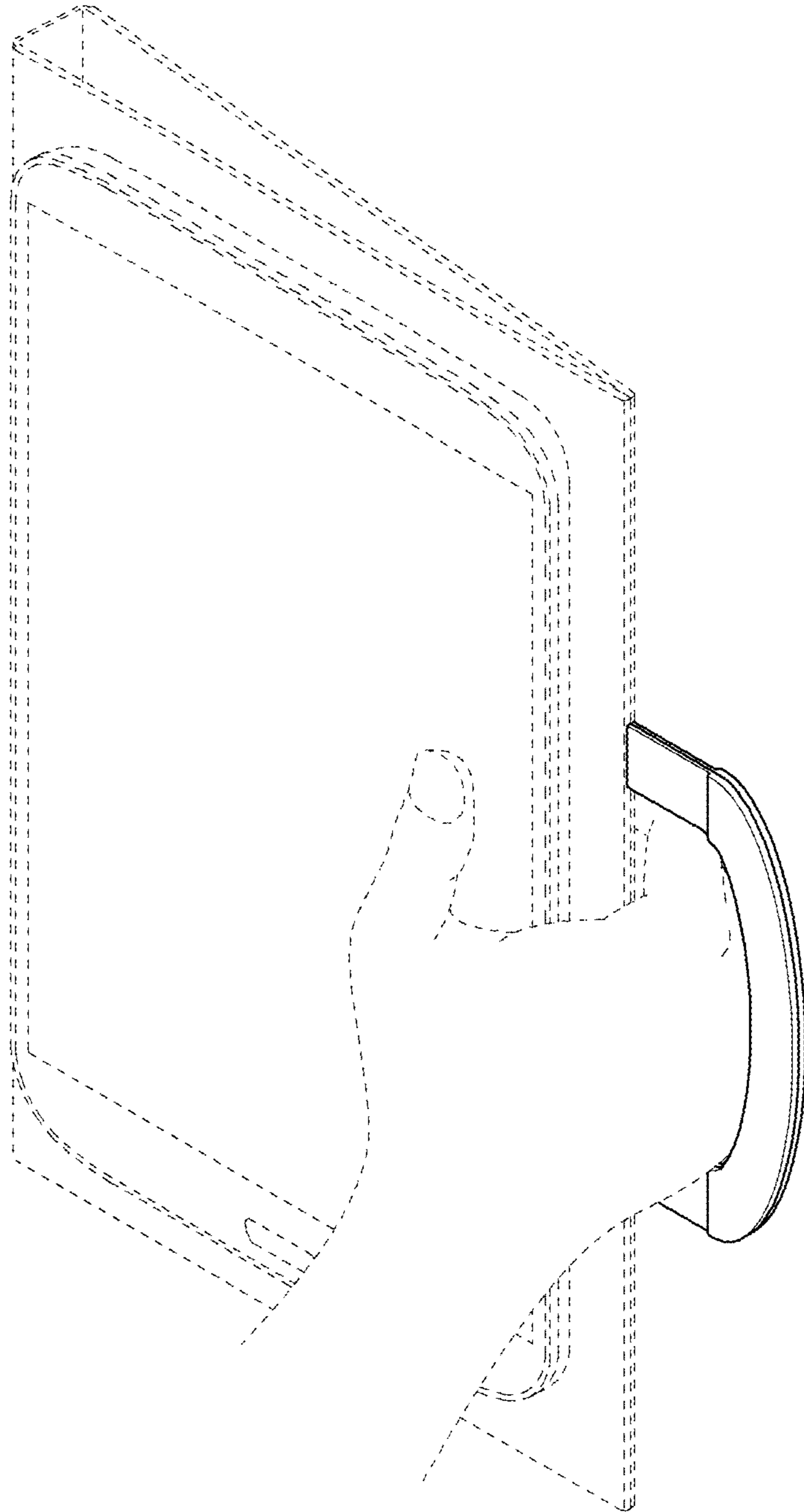


FIG. 44



**FIG. 45**