



US00D774766S

(12) **United States Design Patent** (10) **Patent No.:** **US D774,766 S**
Lee (45) **Date of Patent:** **** Dec. 27, 2016**

(54) **CLEANING MATERIALS BAG FOR VEHICLES**

(71) Applicant: **Pil-Hee Lee**, Chungcheongbuk-do (KR)

(72) Inventor: **Pil-Hee Lee**, Chungcheongbuk-do (KR)

(73) Assignee: **Pil-Hee Lee**, Chungcheongbuk-do (KR)

(**) Term: **15 Years**

(21) Appl. No.: **29/541,856**

(22) Filed: **Oct. 8, 2015**

(51) **LOC (10) Cl.** **03-02**

(52) **U.S. Cl.**
USPC **D3/315**

(58) **Field of Classification Search**
USPC D3/303, 315, 319, 243, 246, 262, 283
CPC A45C 11/00; A45C 15/00; A45C 3/04;
A45C 7/0077
See application file for complete search history.

(56) **References Cited**

U.S. PATENT DOCUMENTS

- 1,649,976 A * 11/1927 Pomeranz A45C 3/10
383/10
- 2,745,593 A * 5/1956 Brady B65D 33/00
383/106
- 3,675,843 A * 7/1972 Polansky A45C 7/0072
383/16

- 4,062,392 A * 12/1977 Ishii A45C 7/0063
383/16
- D331,532 S * 12/1992 Cohen 383/16
- D535,820 S * 1/2007 Kamiya D3/246
- D537,632 S * 3/2007 Quansah D3/303
- D606,754 S * 12/2009 Baron D3/303
- D698,552 S * 2/2014 Osinga D3/319

* cited by examiner

Primary Examiner — Charles Hanson
(74) *Attorney, Agent, or Firm* — IP & T Group LLP

(57) **CLAIM**

The ornamental design for a cleaning materials bag for vehicles, as shown and described.

DESCRIPTION

FIG. 1 is a perspective view of a cleaning materials bag for vehicles showing the new design;
 FIG. 2 is a front view of the cleaning materials bag for vehicles;
 FIG. 3 is a rear view of the cleaning materials bag for vehicles;
 FIG. 4 is a left-side view of the cleaning materials bag for vehicles;
 FIG. 5 is a right-side view of the cleaning materials bag for vehicles;
 FIG. 6 is a plan view of the cleaning materials bag for vehicles; and,
 FIG. 7 is a bottom view of the cleaning materials bag for vehicles.

The dotted lines in FIGS. 1 to 7 are seam lines.

1 Claim, 6 Drawing Sheets

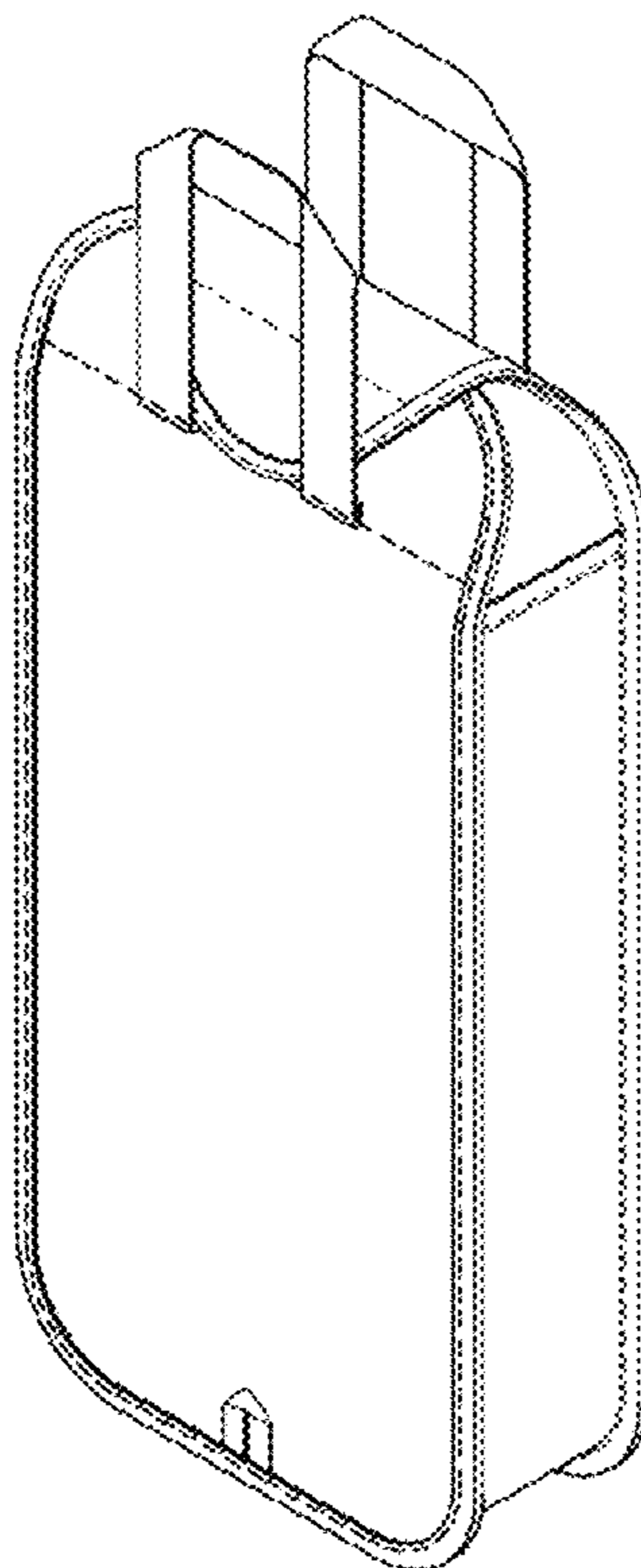


FIG. 1

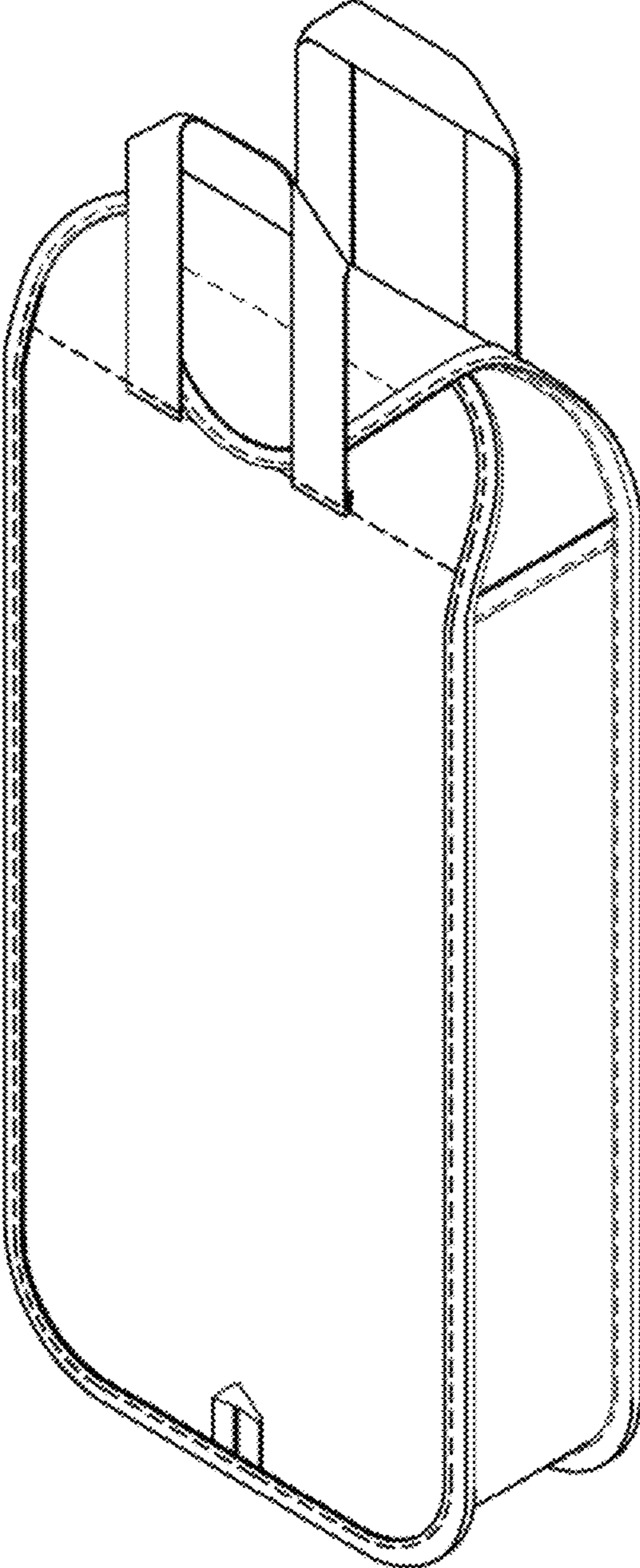


FIG. 2

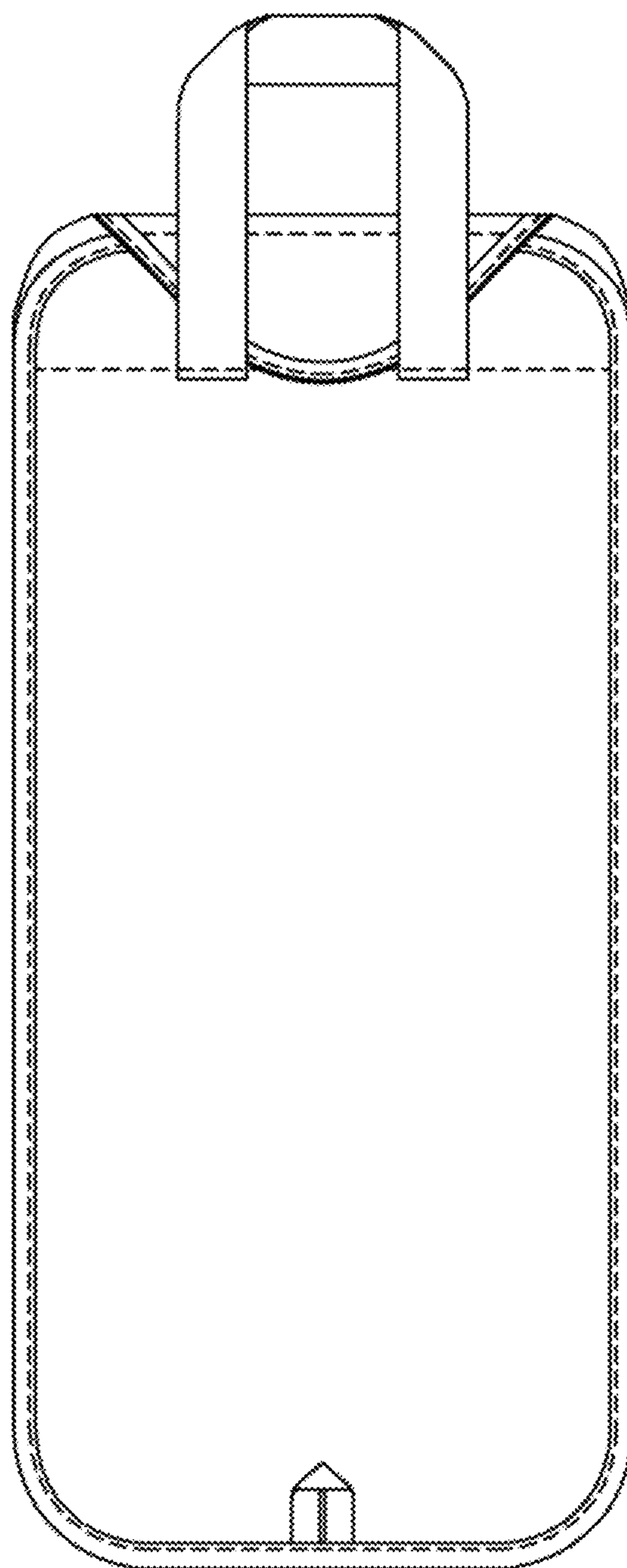


FIG. 3

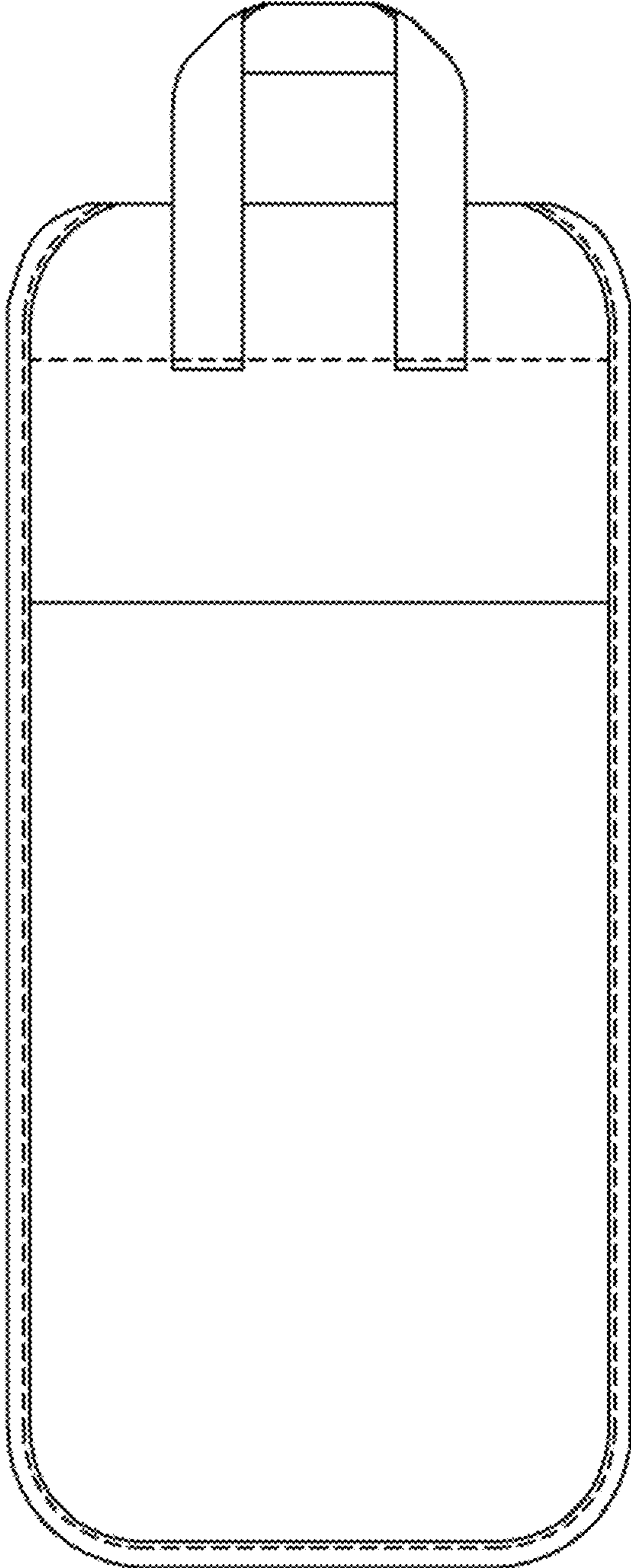


FIG. 4

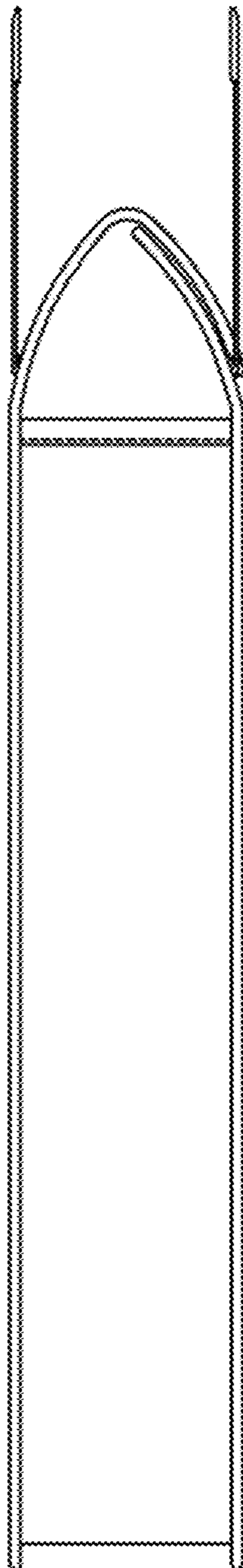


FIG. 5

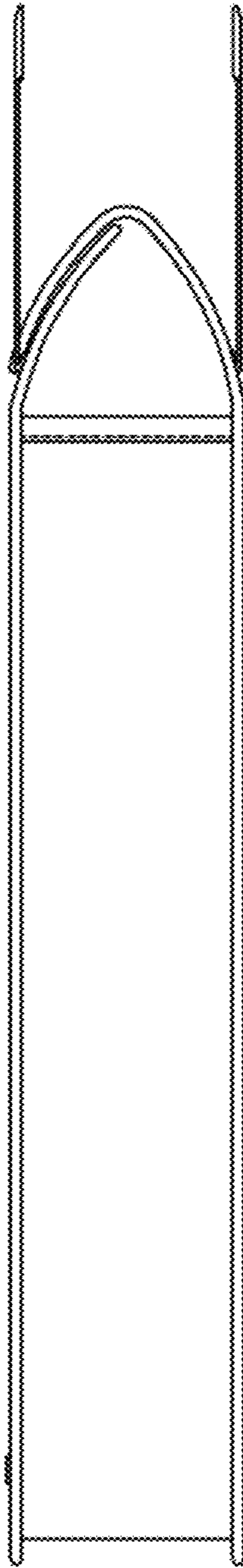


FIG. 6



FIG. 7

