

US00D774765S

(12) **United States Design Patent** (10) **Patent No.:** **US D774,765 S**
Hsieh (45) **Date of Patent:** **** Dec. 27, 2016**

(54) **TOOL HOLDER**
(71) Applicant: **Chih-Chien Hsieh**, Taichung (TW)
(72) Inventor: **Chih-Chien Hsieh**, Taichung (TW)
(**) Term: **15 Years**
(21) Appl. No.: **29/530,200**
(22) Filed: **Jun. 15, 2015**
(51) **LOC (10) Cl.** **03-01**
(52) **U.S. Cl.**
USPC **D3/313**
(58) **Field of Classification Search**
USPC D3/226, 228, 245, 246, 283–284,
D3/303–304, 308, 313, 315, 319, 328;
D6/515, 567, 574, 675, 682, 682.1
CPC B25H 3/003; B25H 3/006; B25H 3/06
See application file for complete search history.

D714,062 S * 9/2014 Chen D3/313
D717,433 S * 11/2014 Samani D24/155
D720,540 S * 1/2015 Lin D3/315
D725,993 S * 4/2015 Ernst D8/339
D727,708 S * 4/2015 Kokke D3/315
D730,053 S * 5/2015 Ou D3/315
D730,055 S * 5/2015 Ou D3/315
D736,522 S * 8/2015 Hsieh D3/313
D738,039 S * 9/2015 Chen D27/183
D744,159 S * 11/2015 Lukas D27/172
D747,103 S * 1/2016 Amash D3/313
D748,395 S * 2/2016 Hsieh D3/313
D749,429 S * 2/2016 Fath D9/737

* cited by examiner

Primary Examiner — Kelley Donnelly
(74) *Attorney, Agent, or Firm* — Egbert Law Offices, PLLC

(57) **CLAIM**

The ornamental design for a tool holder, as shown and described.

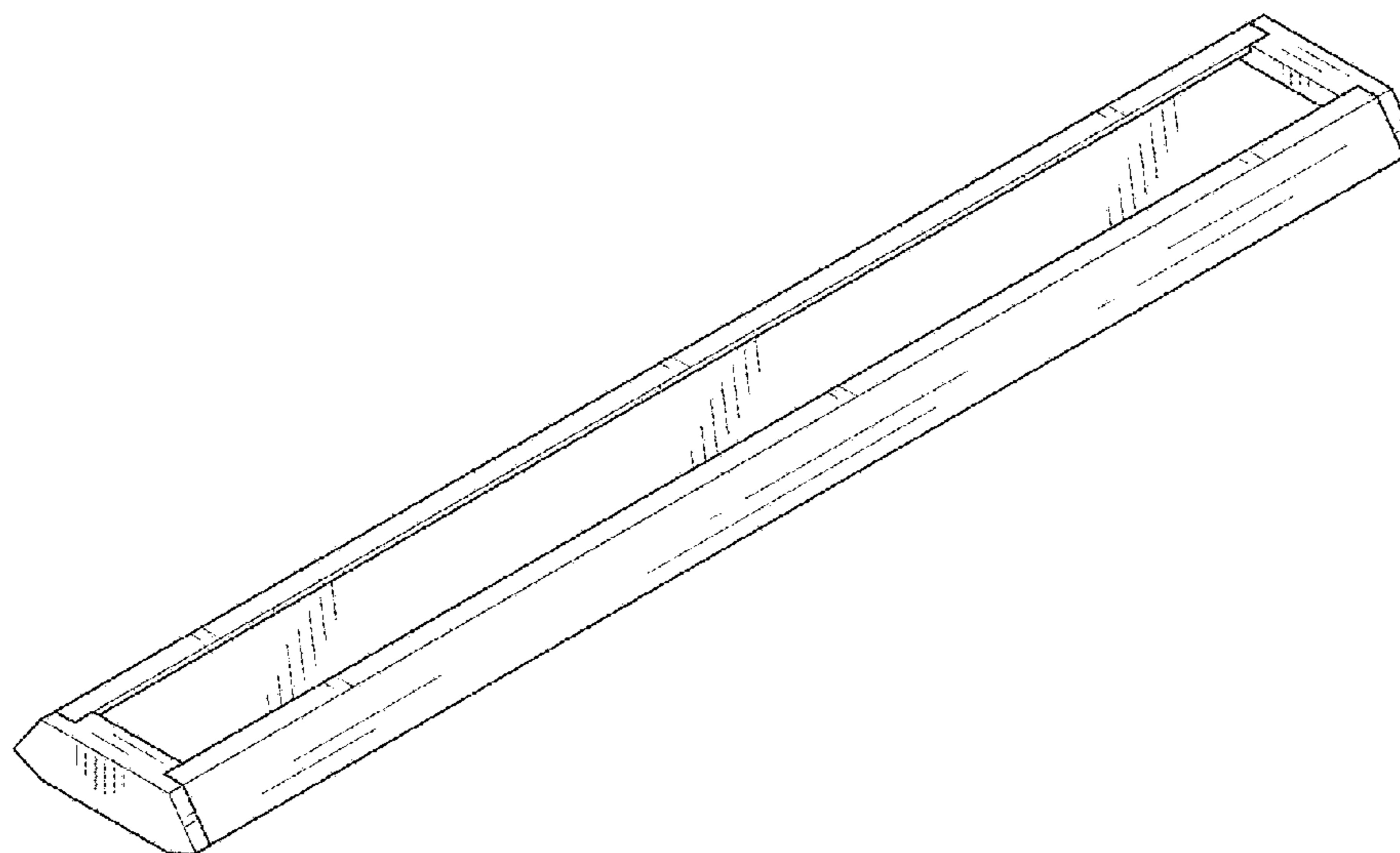
(56) **References Cited**
U.S. PATENT DOCUMENTS

1,758,098 A * 5/1930 Williams A47F 5/005
211/59.2
D340,827 S * 11/1993 Hubbard D6/567
D342,880 S * 1/1994 Clancy D3/313
D355,554 S * 2/1995 Phelps D6/567
D364,526 S * 11/1995 Laufenberg D6/570
D443,160 S * 6/2001 Ernst D6/553
D457,319 S * 5/2002 Fairchild D3/310
D467,080 S * 12/2002 Zimmerman D3/311
6,860,574 B2 * 3/2005 Hwang A47B 88/10
312/334.11
D520,148 S * 5/2006 Kendall D25/138
D607,252 S * 1/2010 Meyer D6/534
D623,035 S * 9/2010 Rivera D8/70
D637,815 S * 5/2011 Hsieh D3/313
8,381,905 B1 * 2/2013 Kao B25H 3/003
206/1.5

DESCRIPTION

FIG. 1 is an upper perspective view of the tool holder showing my new design.
FIG. 2 is a front elevation view thereof;
FIG. 3 is back elevation view thereof;
FIG. 4 is a side elevation view thereof;
FIG. 5 is an opposite side elevation view thereof;
FIG. 6 is a top plan view thereof;
FIG. 7 is a bottom plan view thereof;
FIG. 8 is a sectional view along the line 8-8 of FIG. 4; and,
FIG. 9 is an upper perspective view of the tool holder showing tools secured therein.
The features presented in broken lines are for environmental purposes only and form no part of the claimed design.

1 Claim, 8 Drawing Sheets



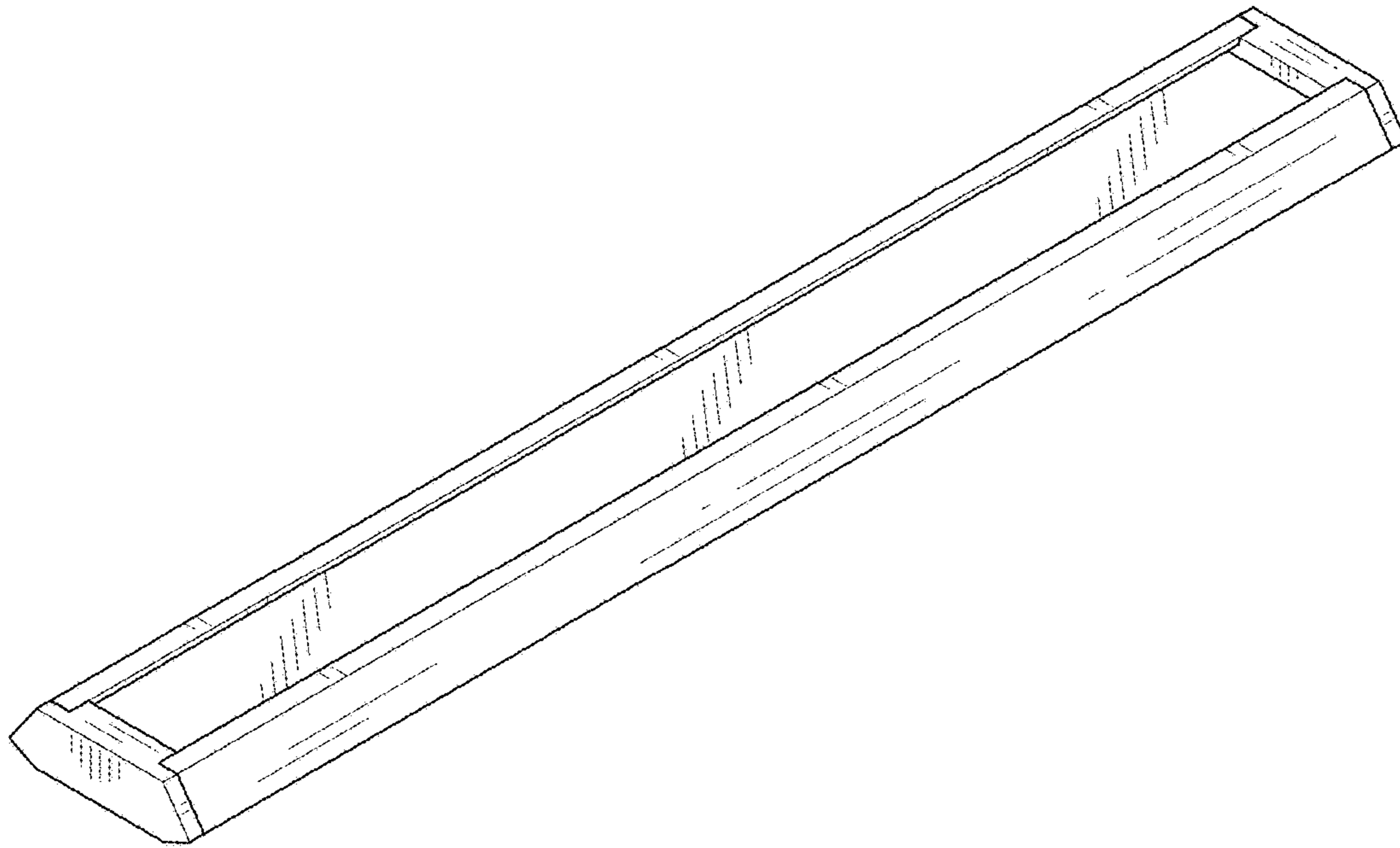


FIG.1

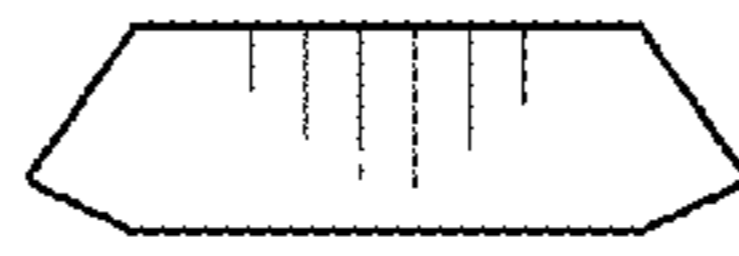


FIG.2

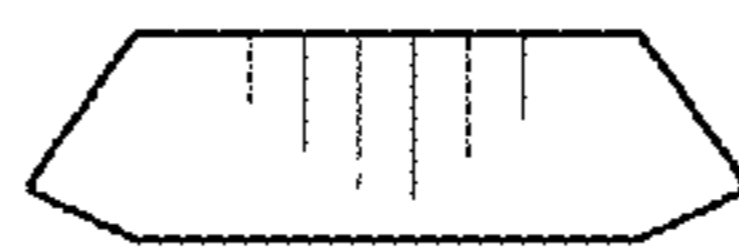


FIG.3

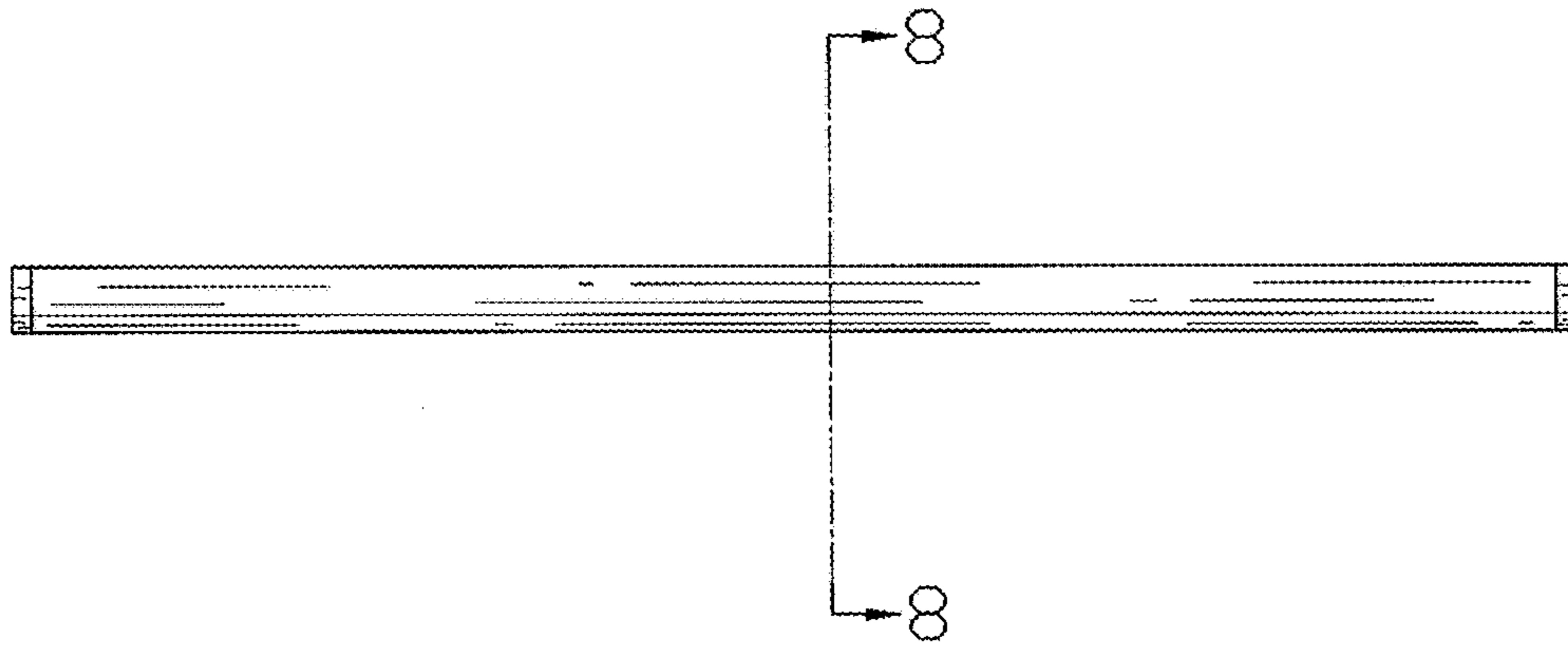


FIG.4



FIG.5

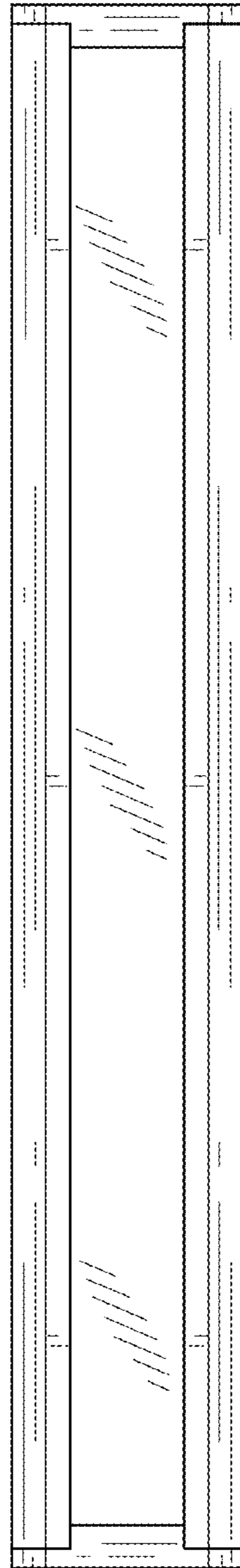


FIG.6

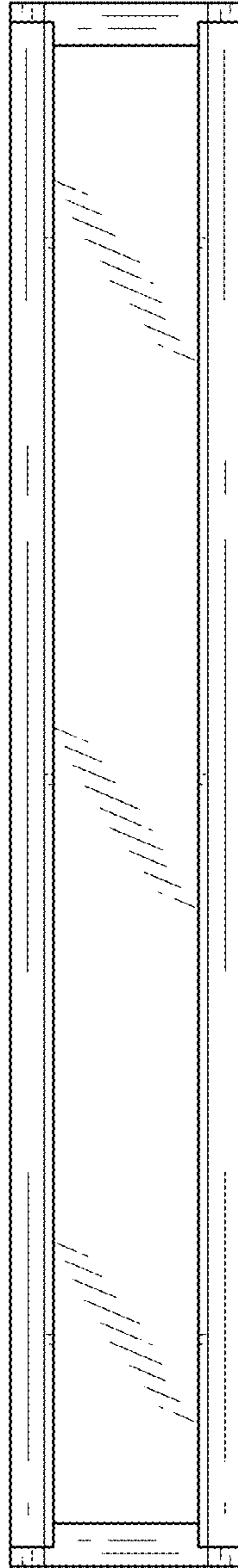


FIG. 7

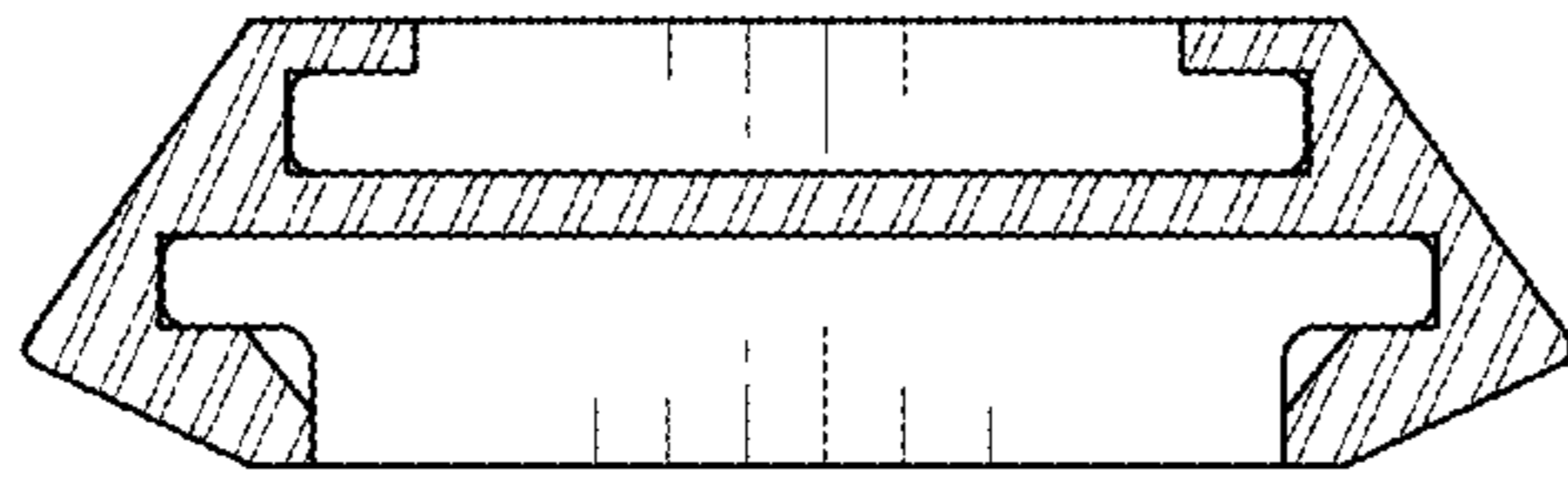


FIG.8

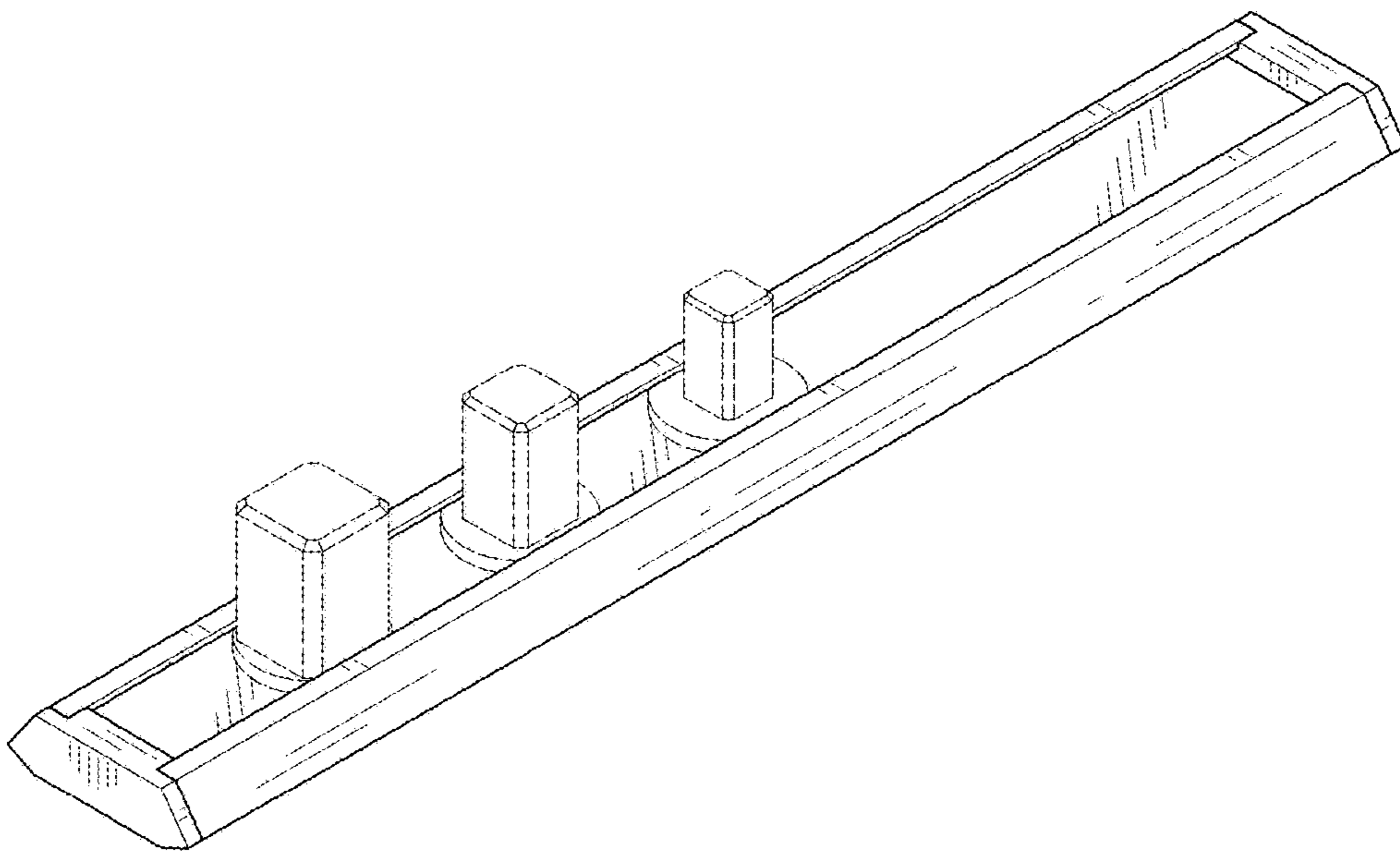


FIG.9