



US00D774763S

(12) **United States Design Patent** (10) **Patent No.:** **US D774,763 S**
Kraemer (45) **Date of Patent:** **** Dec. 27, 2016**

- (54) **BIN**
- (71) Applicant: **InterDesign, Inc.**, Solon, OH (US)
- (72) Inventor: **Kevin Francis Kraemer**, Cuyahoga Falls, OH (US)
- (73) Assignee: **InterDesign, Inc.**, Solon, OH (US)
- (**) Term: **15 Years**
- (21) Appl. No.: **29/532,644**
- (22) Filed: **Jul. 9, 2015**

- D349,052 S * 7/1994 Goldstein D9/418
- D439,838 S * 4/2001 Sagel D9/416
- D533,971 S * 12/2006 Carter D30/108
- D591,172 S * 4/2009 Keberlein D9/414
- 9,107,385 B2 * 8/2015 Lever A01K 1/03
- D753,424 S * 4/2016 Peltosaari D6/682.1

* cited by examiner

Primary Examiner — Kelley Donnelly
(74) *Attorney, Agent, or Firm* — Calfee, Halter & Griswold, LLP

Related U.S. Application Data

- (62) Division of application No. 29/480,632, filed on Jan. 28, 2014.
- (51) **LOC (10) Cl.** **03-01**
- (52) **U.S. Cl.**
USPC **D3/304**
- (58) **Field of Classification Search**
USPC D6/512–514, 657–658, 663–664,
D6/667–668, 672–674, 682–682.1;
D7/603–608, 629; D15/79–81;
D3/304–315
CPC B65D 1/02; B65D 1/023; B65D 1/0223
See application file for complete search history.

References Cited

U.S. PATENT DOCUMENTS

- D220,752 S * 5/1971 Artz D9/425
- D317,261 S * 6/1991 Brown D9/782

(57) **CLAIM**

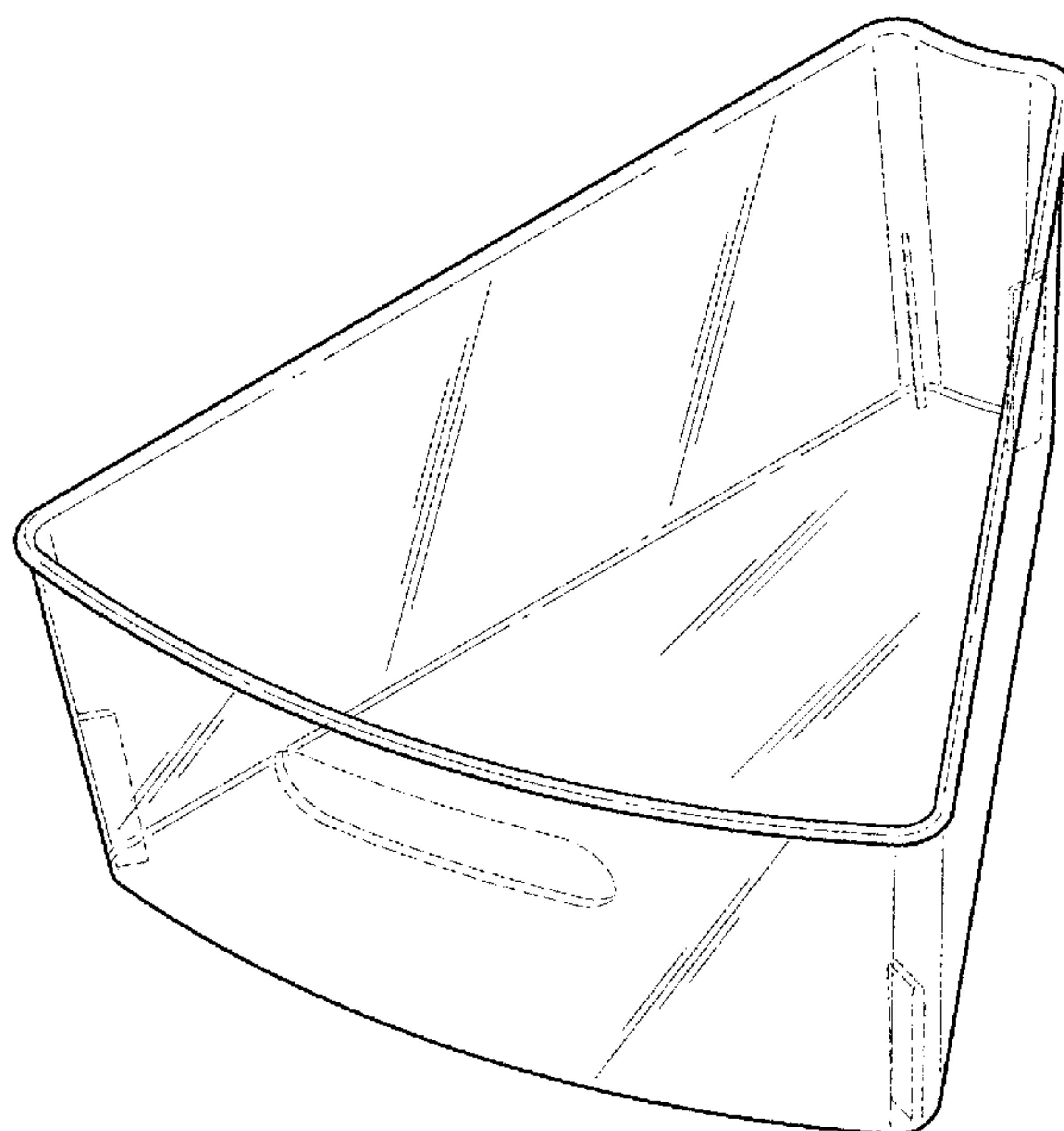
I claim the ornamental design for a bin, as shown and described.

DESCRIPTION

FIG. 1 is a front/right/top perspective view of a bin;
 FIG. 2 is a rear/left/bottom perspective view thereof;
 FIG. 3 is a front elevational view thereof;
 FIG. 4 is a rear elevational view thereof;
 FIG. 5 is a right side elevational view thereof (a left side elevational view would be a mirror image thereof);
 FIG. 6 is a top plan view thereof; and,
 FIG. 7 is a bottom plan view thereof.

The broken lines immediately adjacent the shaded areas represent the bounds of the claimed design, while all other broken lines are directed to environment and are for illustrative purposes only; the broken lines form no part of the claimed design.

1 Claim, 5 Drawing Sheets



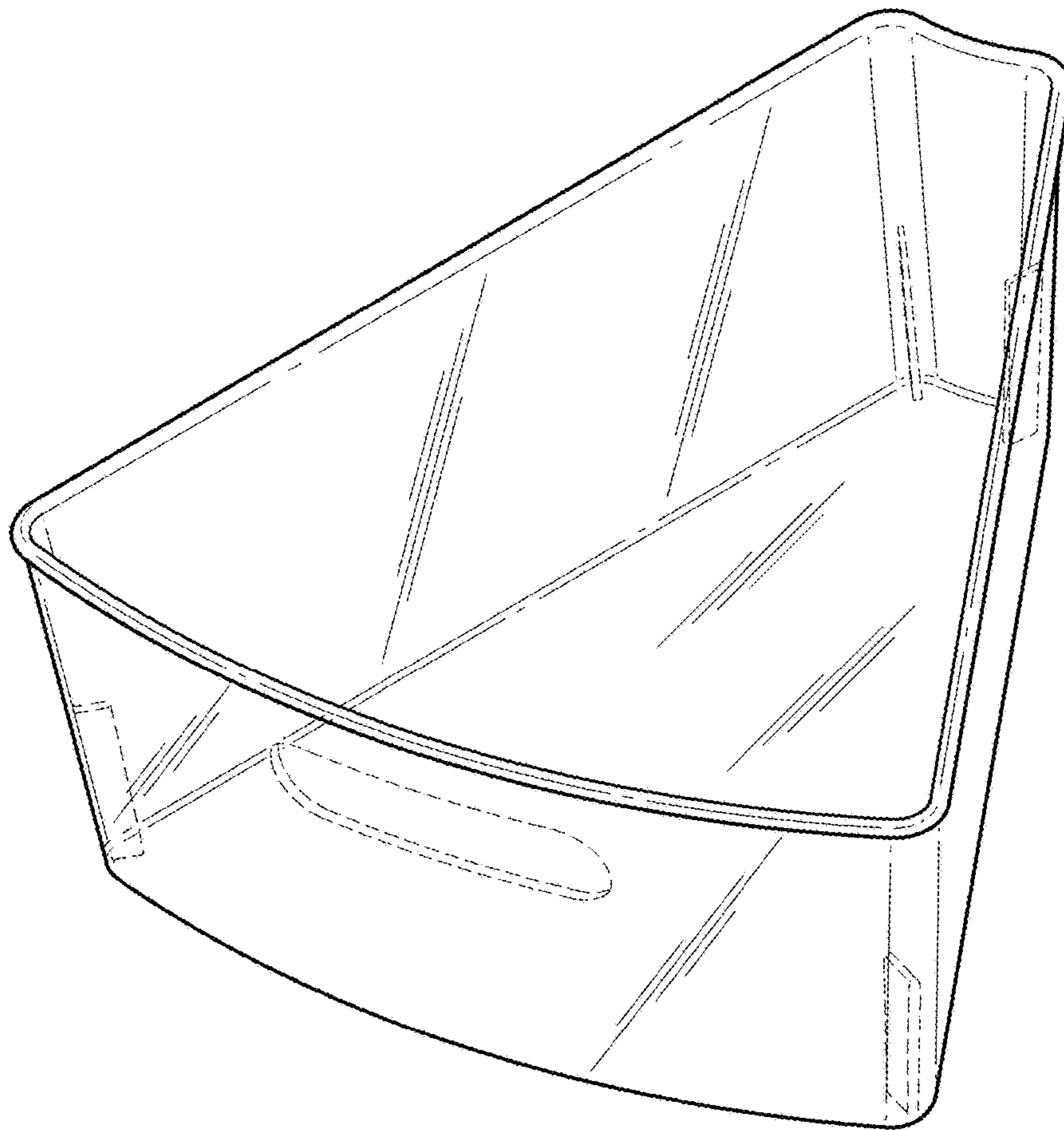


FIG. 1

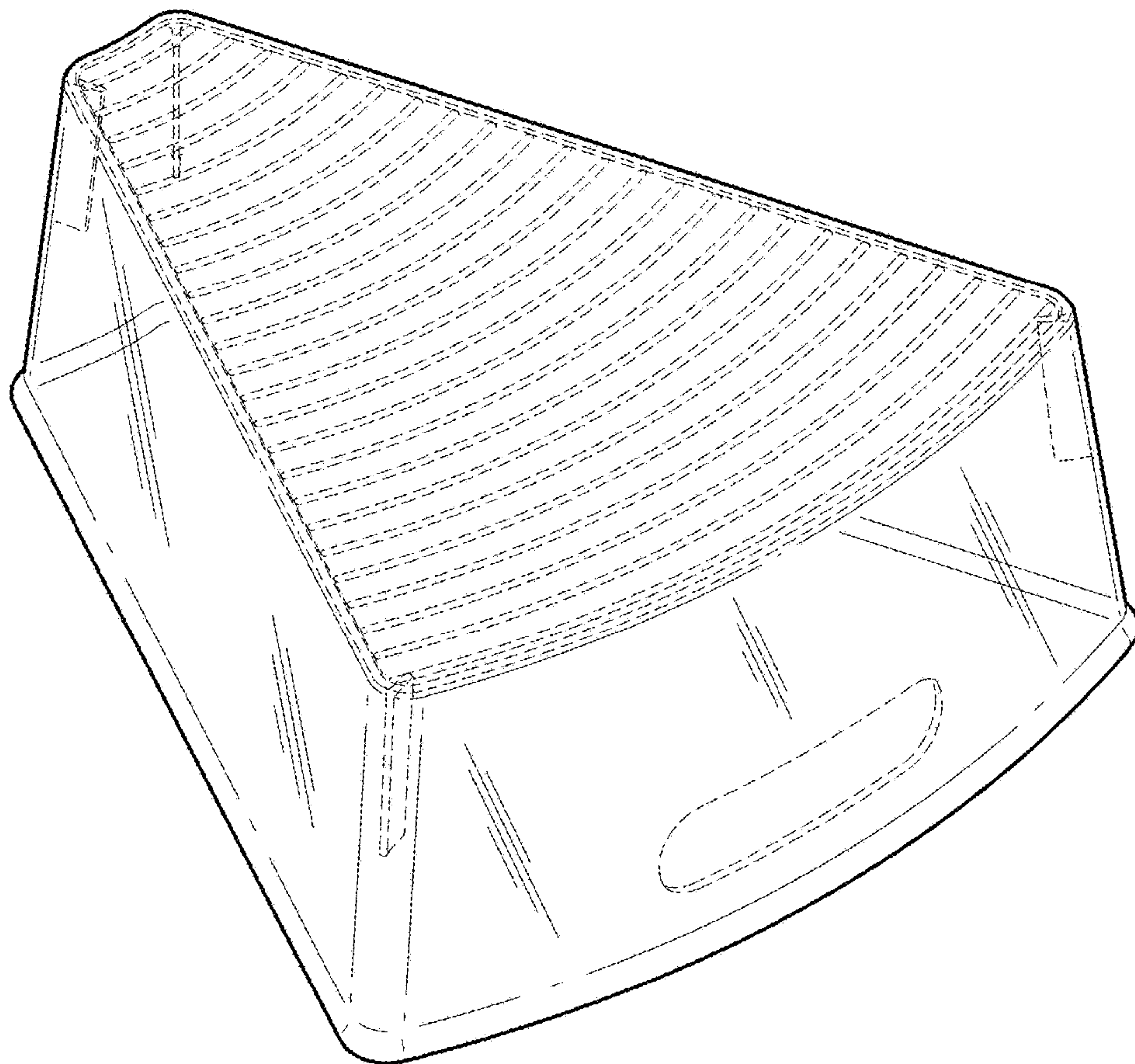


FIG. 2

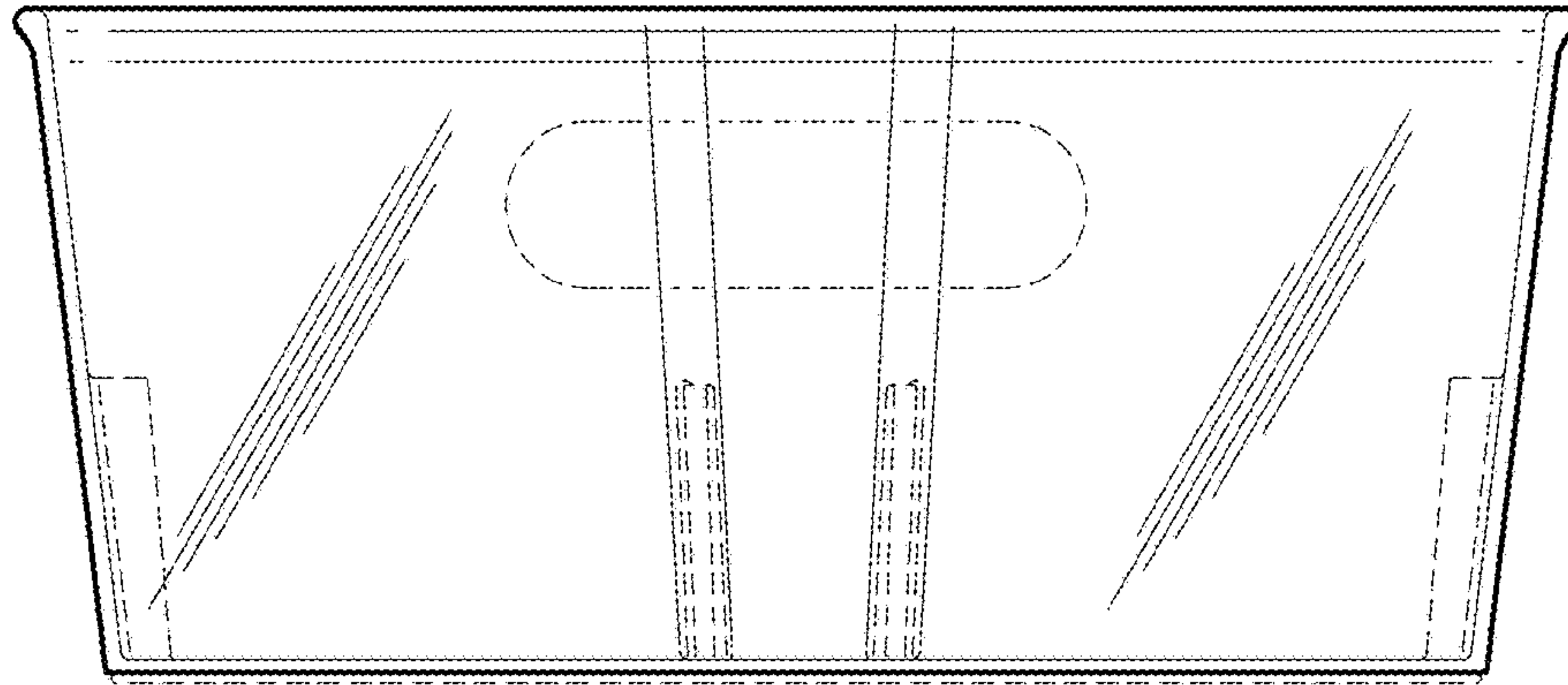


FIG. 3

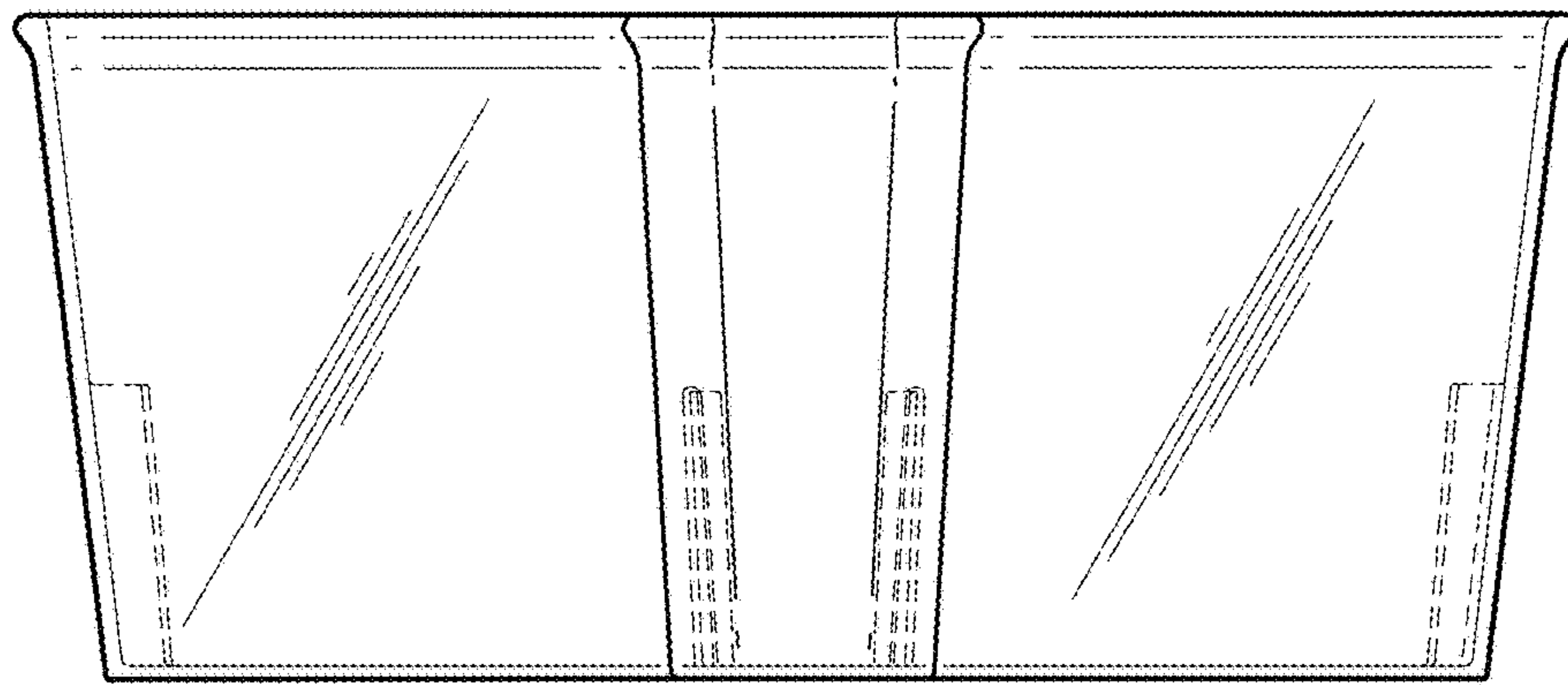


FIG. 4

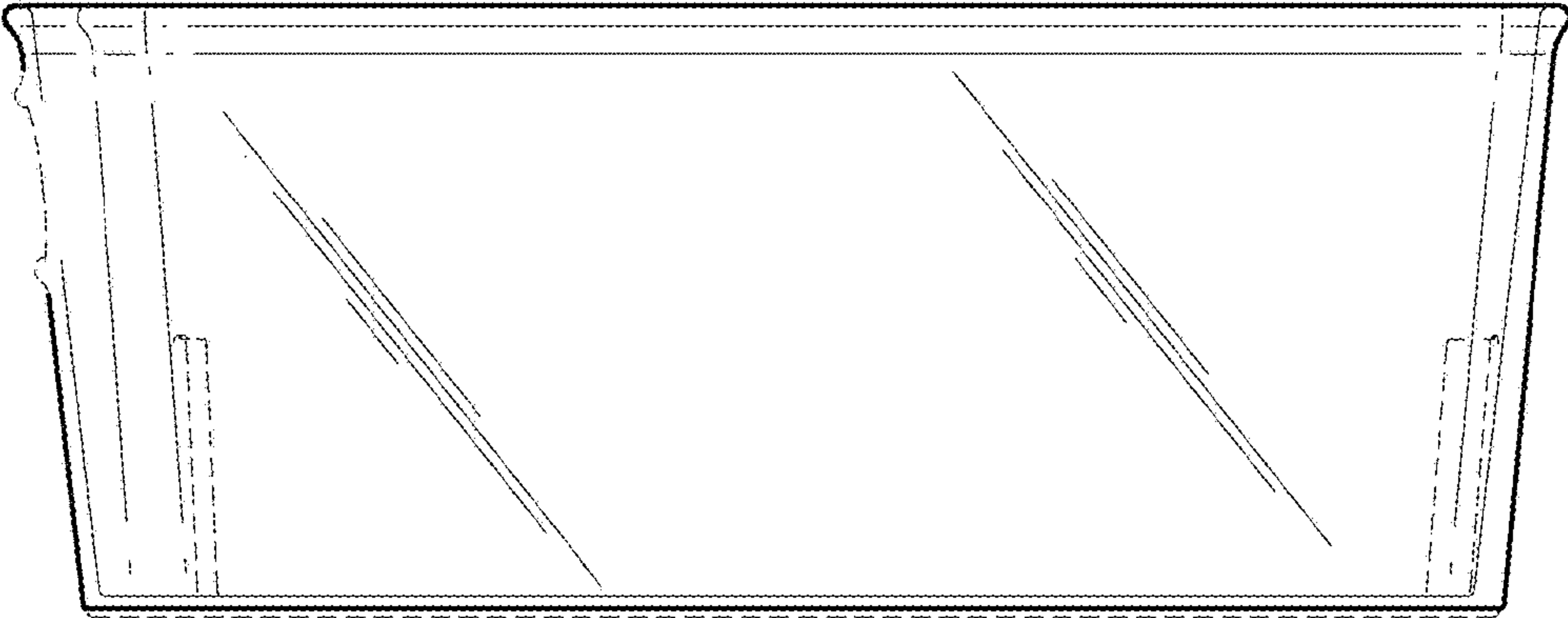


FIG. 5

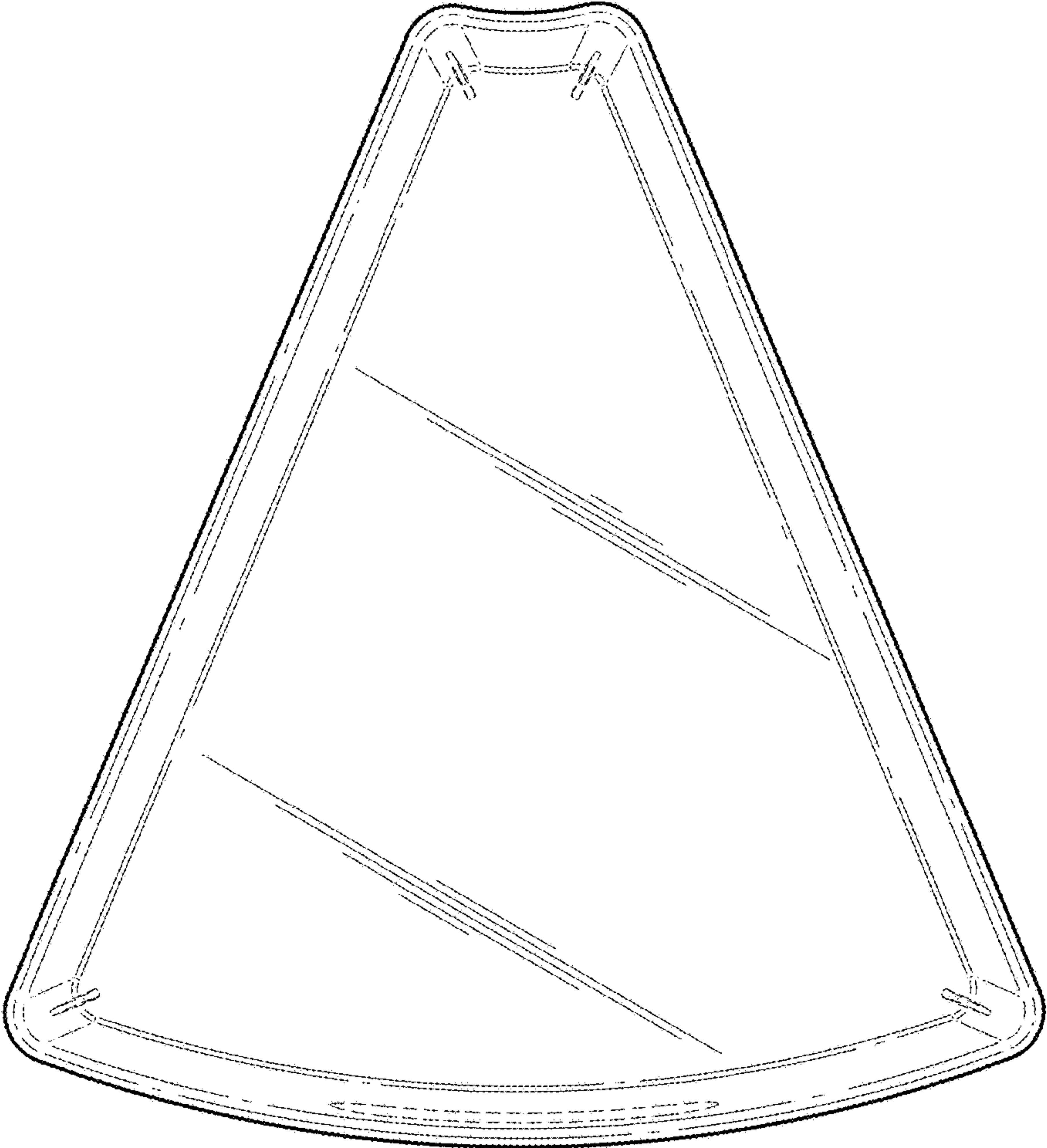


FIG. 6

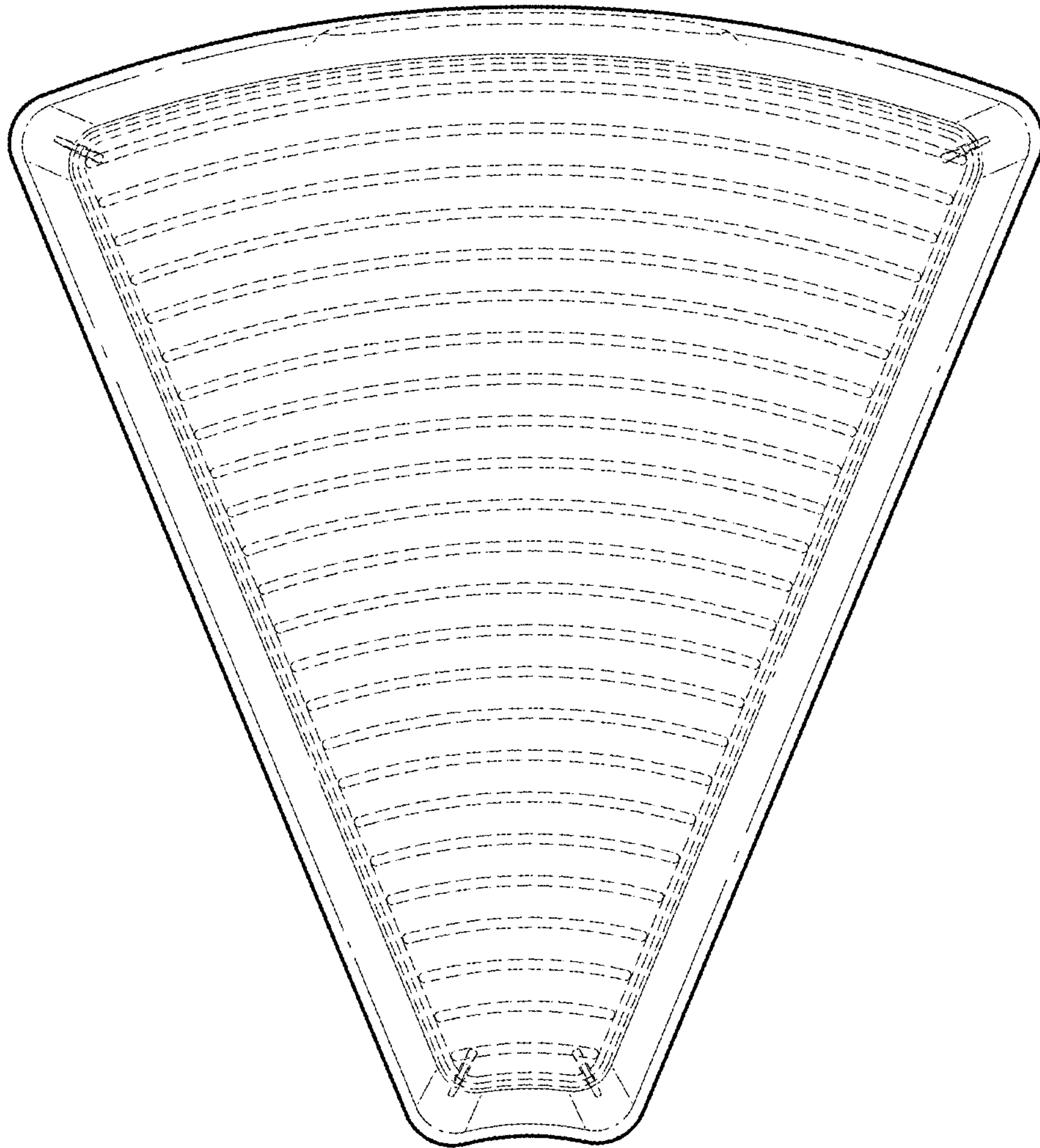


FIG. 7