



US00D774760S

(12) **United States Design Patent** (10) **Patent No.:** **US D774,760 S**
Martinetti (45) **Date of Patent:** **** Dec. 27, 2016**

(54) **HEADPHONE CASE**

- (71) Applicant: **Dominick Martinetti**, Charlotte, NC (US)
- (72) Inventor: **Dominick Martinetti**, Charlotte, NC (US)
- (**) Term: **15 Years**
- (21) Appl. No.: **29/571,755**
- (22) Filed: **Jul. 21, 2016**
- (51) **LOC (10) Cl.** **03-01**
- (52) **U.S. Cl.**
USPC **D3/294**
- (58) **Field of Classification Search**
USPC D3/273, 274, 275, 276, 281, 284, 292,
D3/294, 295, 296, 297, 299, 905, 901,
D3/903, 205, 203.1, 279, 282, 242, 301,
D3/302; D9/418, 420-423; D28/76-78,
D28/82-83; D99/28, 34
CPC A45C 5/00; A45C 5/04; A45C 11/00;
A45C 11/16
See application file for complete search history.

(56) **References Cited**

U.S. PATENT DOCUMENTS

D476,572 S *	7/2003	Merritt	D28/82
D479,429 S *	9/2003	Chan	D6/629
D511,895 S *	11/2005	Vish	D3/318
D524,153 S *	7/2006	Reinhard	D9/428
D533,387 S *	12/2006	Huang	D6/407
D540,038 S *	4/2007	Hussaini	D3/201
D561,470 S *	2/2008	Jalet	D3/294
D586,557 S *	2/2009	Jalet	D3/294
D609,009 S *	2/2010	Schaal	D3/294
D620,256 S *	7/2010	Fujimura	D3/294
D620,257 S *	7/2010	Fujimura	D3/294
D629,202 S *	12/2010	Wai	D3/201
D659,991 S *	5/2012	Long, Jr.	D3/201
D705,532 S *	5/2014	Kolton	D3/201
D707,567 S *	6/2014	Callaghan	D9/730
D708,850 S *	7/2014	Morine	D3/294
D740,692 S *	10/2015	Christie	D9/748

OTHER PUBLICATIONS

“Slappa Full-Sized HardBody PRO Headphone” https://www.amazon.com/gp/product/B009NE7B06/ref=s9_psimh_gw_g107_il_r?ie=UTF8&fpl=fresh&pf_rd_m=ATVPDKIKX0DER&pf_rd_s=desktop-1&pf_rd_r=5FVZ6VQH47DTAJG1MBWD&pf_rd_t=36701&pf_rd_p=6aad23bd-3035-4a40-b691-0eefb1a18396&pf_rd_i=desktop, [available online Oct. 1, 2012].
Headphone Case—Full Size Hardshell Earphone Headset Ultimate Protection for Beats Pro Solo2 Bose 35 Quiet Comfort Audio Technica M50x Sony MDR7506 Sennheiser HD 518 Philips Beyerdynamic AKG + More! by VECTRON https://www.amazon.com/Headphone-Case-Protection-Sennheiser-Beyerdynamic/dp/B01FAXEH50/ref=cm_cr_arp_d_product_top?ie=UTF8, [available online May 7, 2016].

* cited by examiner

Primary Examiner — Sandra Snapp
Assistant Examiner — Holly E Thurman
(74) *Attorney, Agent, or Firm* — Mitchell Law PLLC;
Matthew W. Mitchell

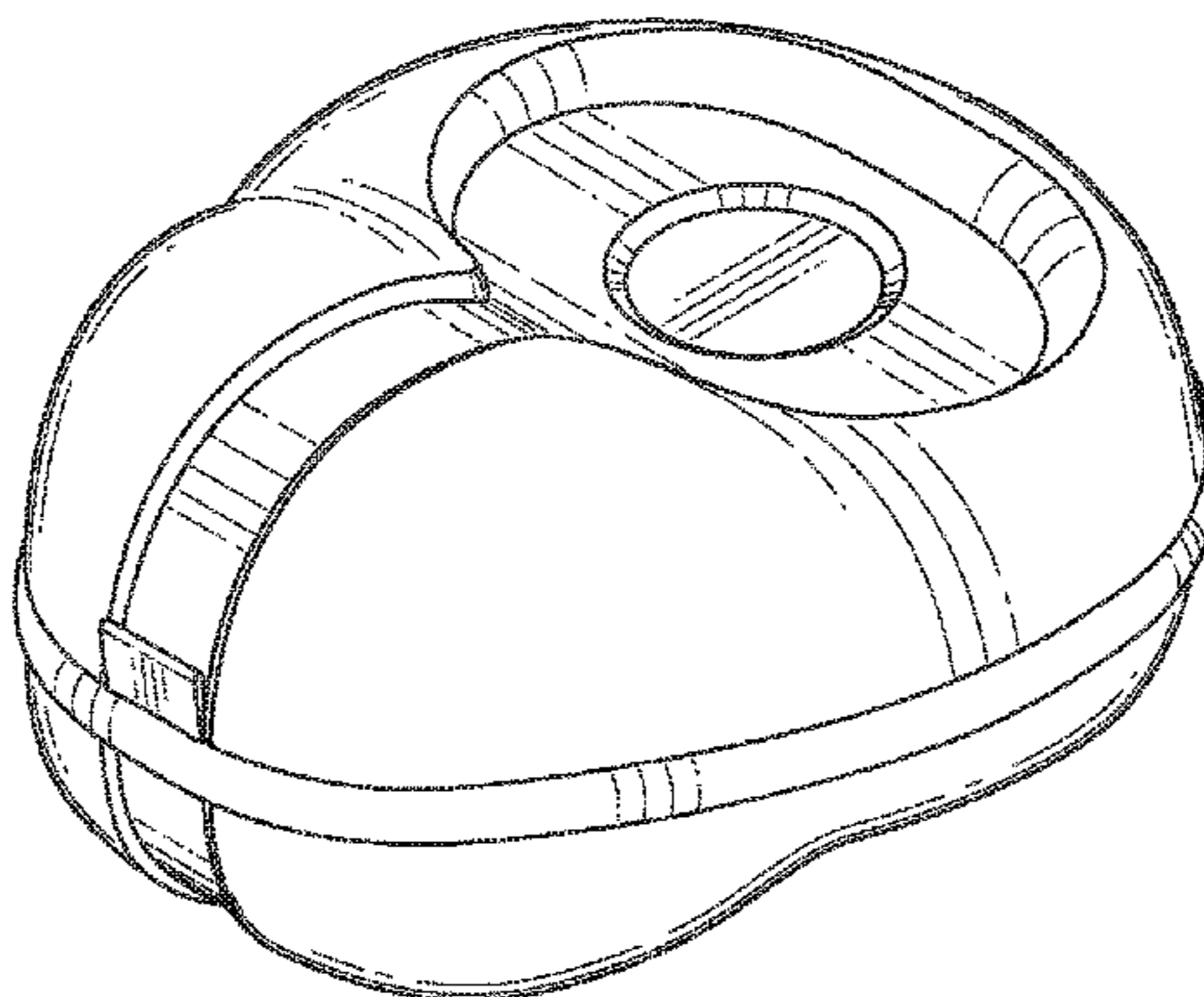
(57) **CLAIM**

The ornamental design for a headphone case, as shown.

DESCRIPTION

FIG. 1 is a front perspective view of the headphone case showing my new design;
FIG. 2 is a back view of the invention;
FIG. 3 is a front view of the invention;
FIG. 4 is a side view of the invention, as seen from the left side of FIG. 3;
FIG. 5 is a side view of the invention, as seen from the right side of FIG. 3;
FIG. 6 is a top view in elevation of the invention; and,
FIG. 7 is a bottom plan view of the invention.
The broken lines in FIG. 7 depict unclaimed portions of the headphone case and form no part of the claimed design.

1 Claim, 7 Drawing Sheets



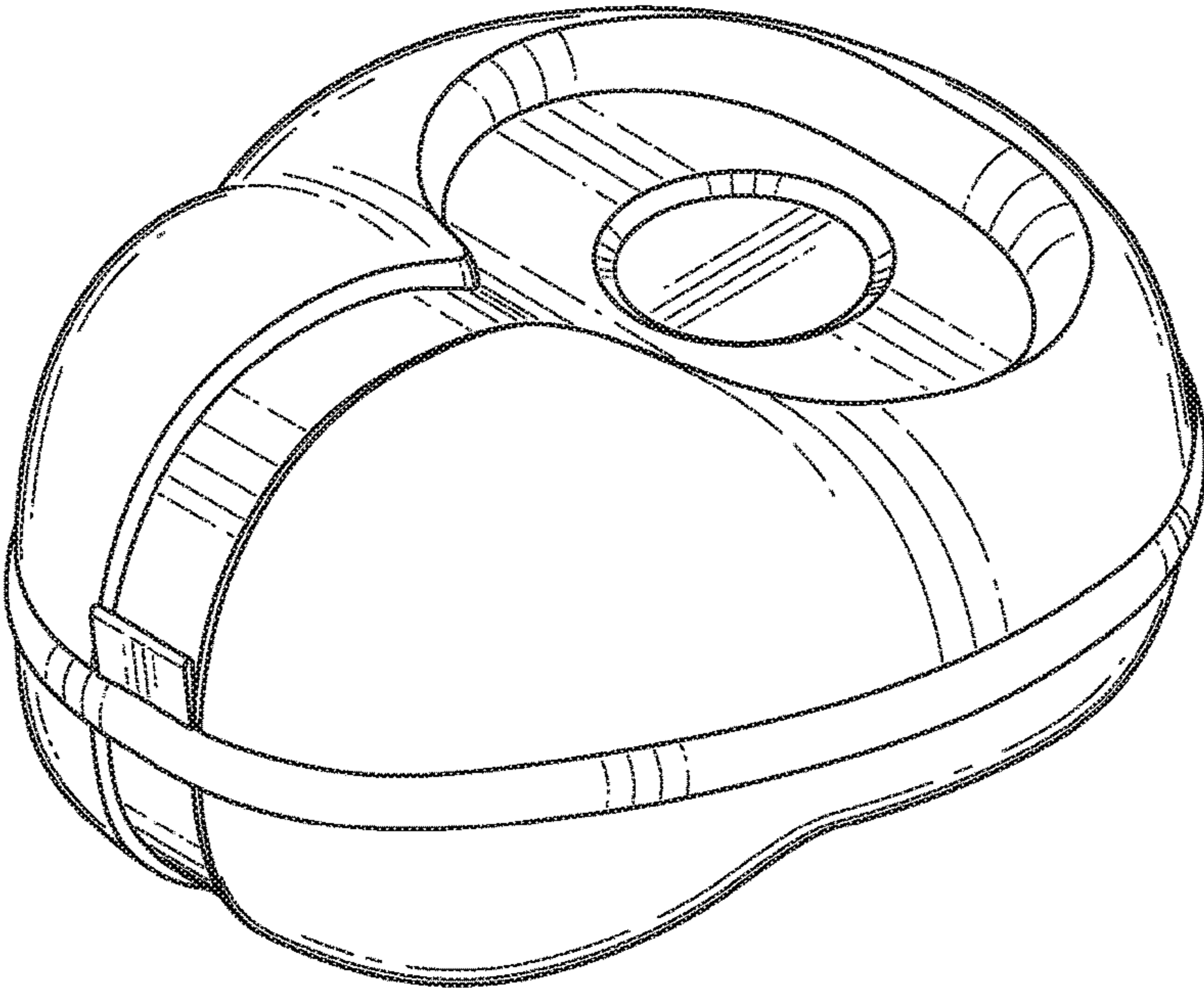


FIG. 1

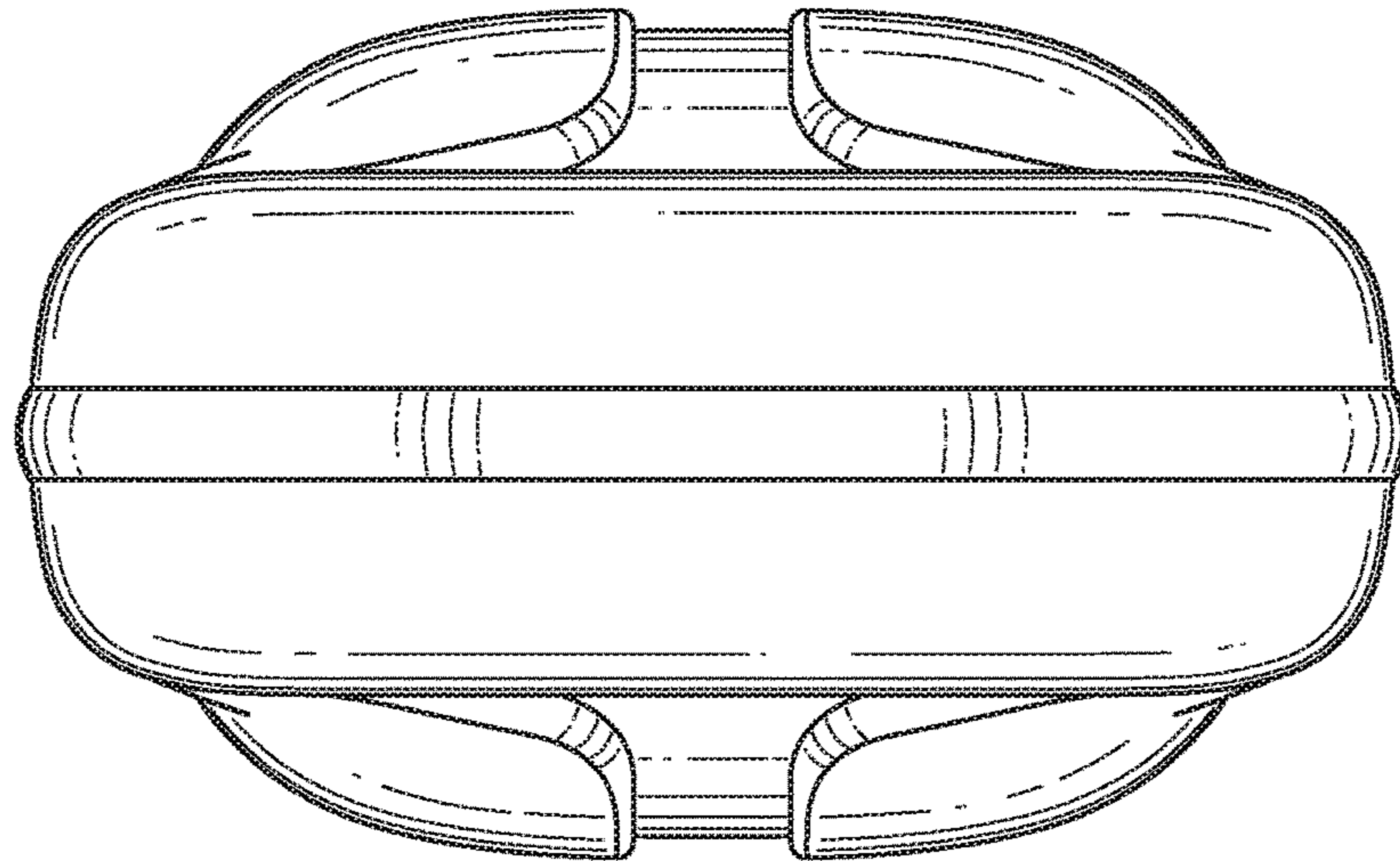


FIG. 2

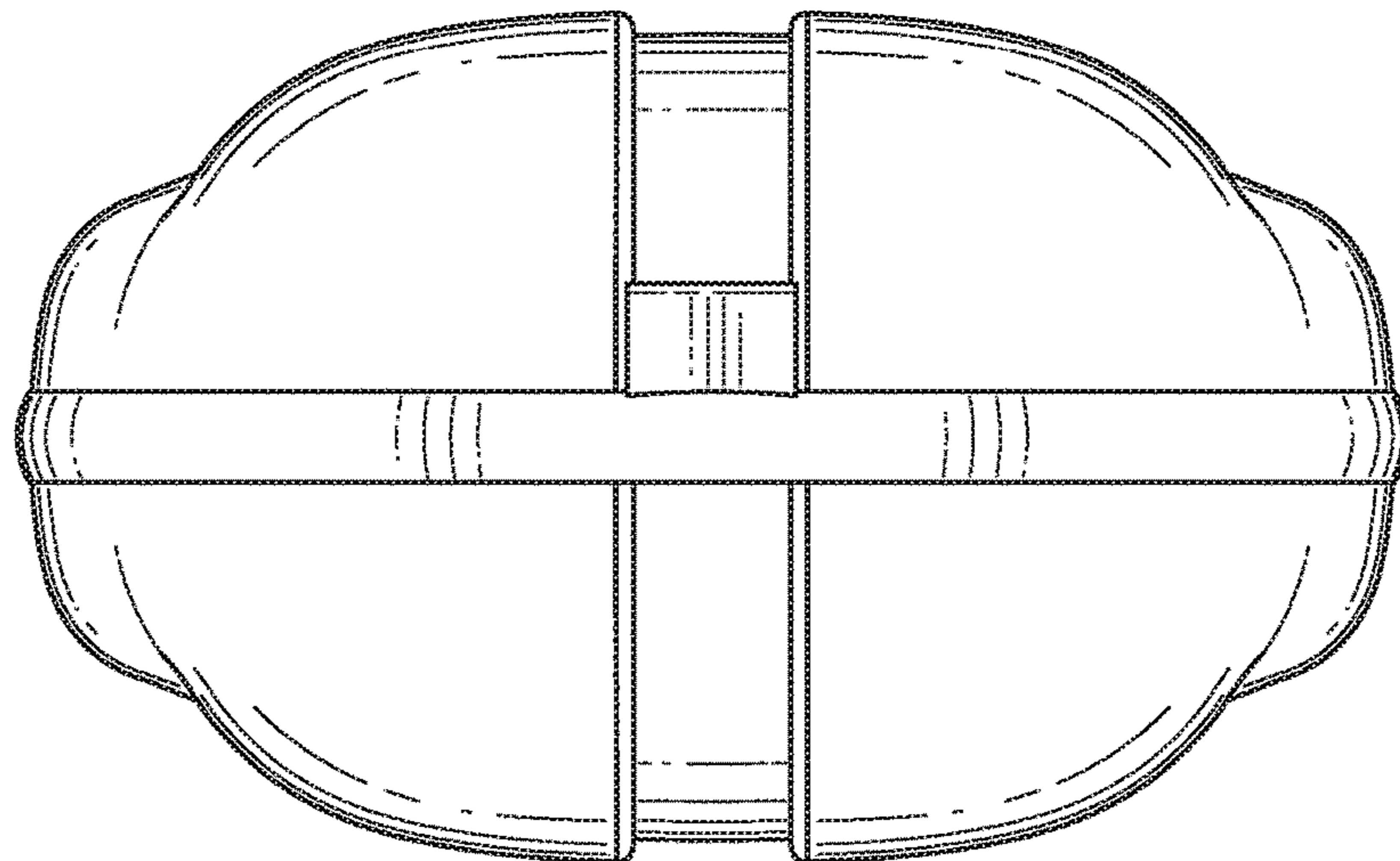


FIG. 3

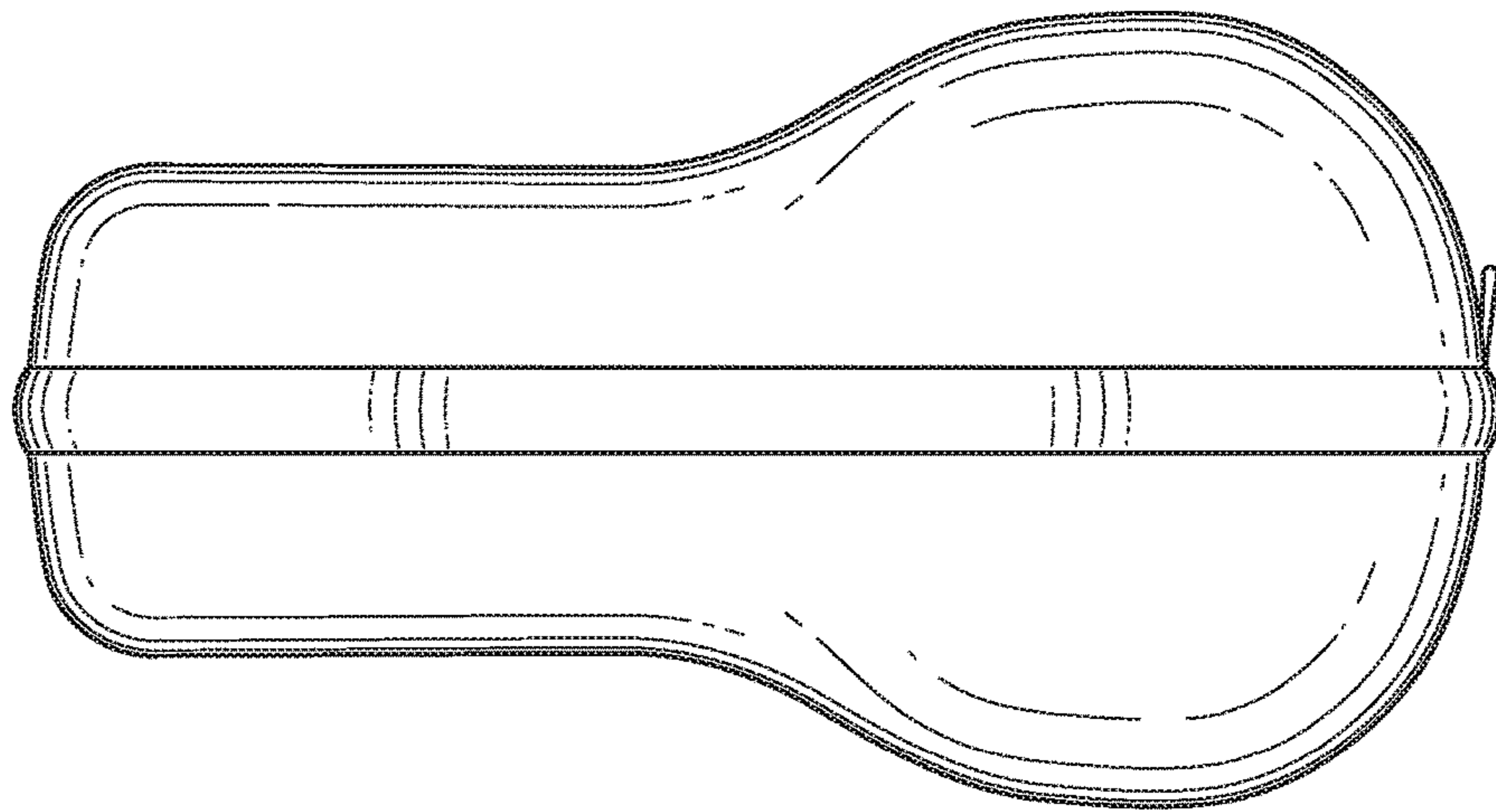


FIG. 4

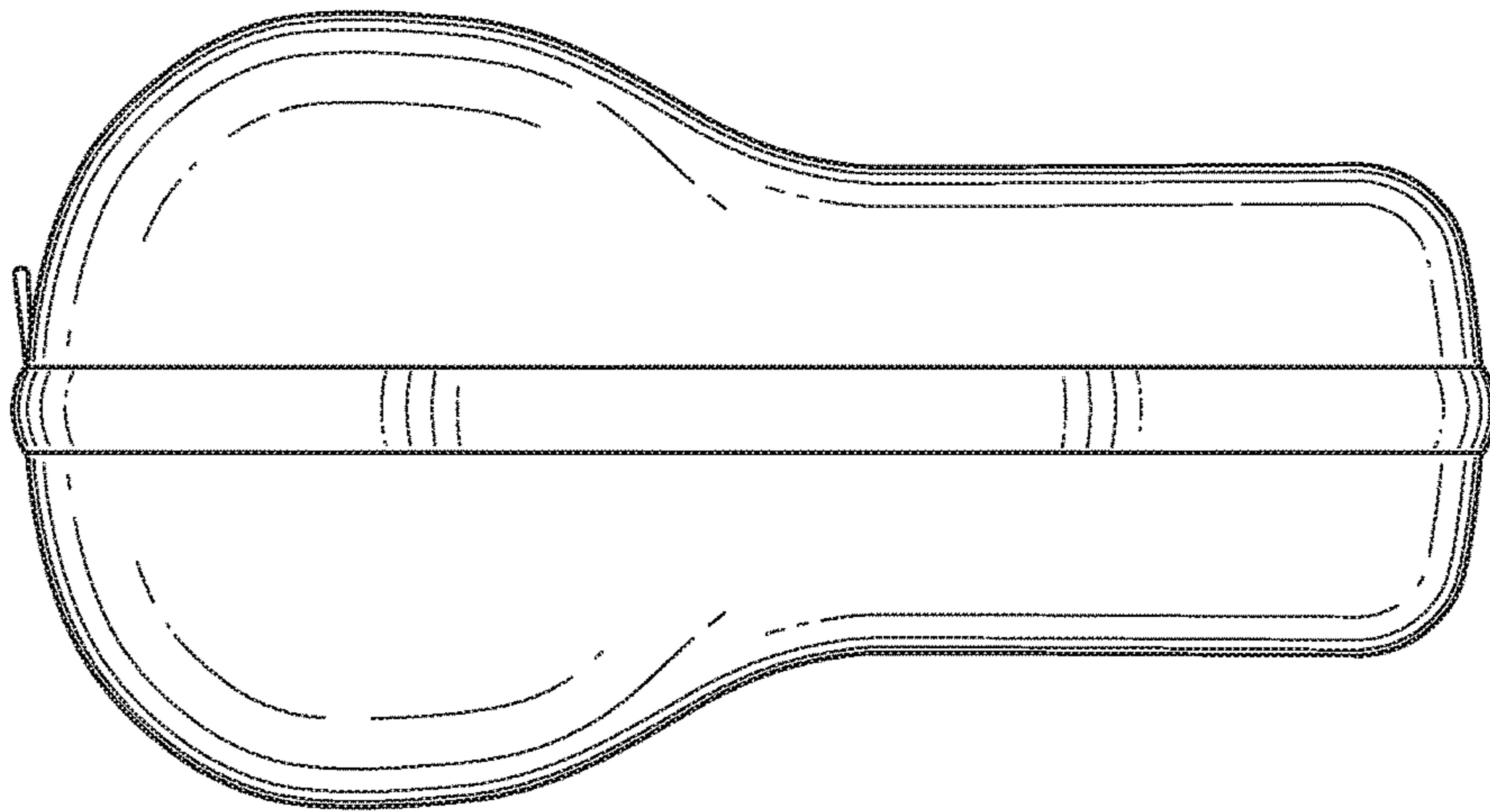


FIG. 5

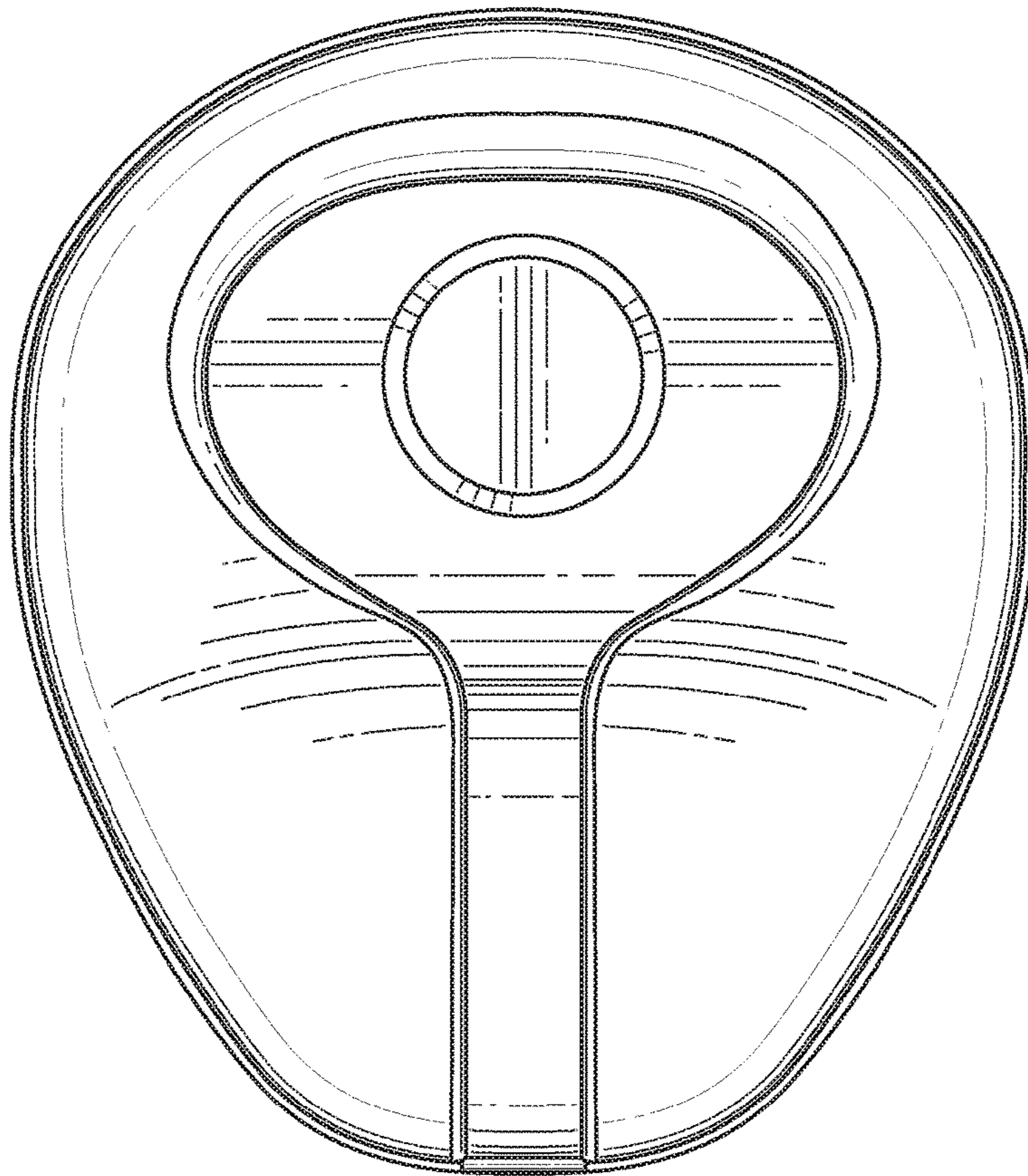


FIG. 6

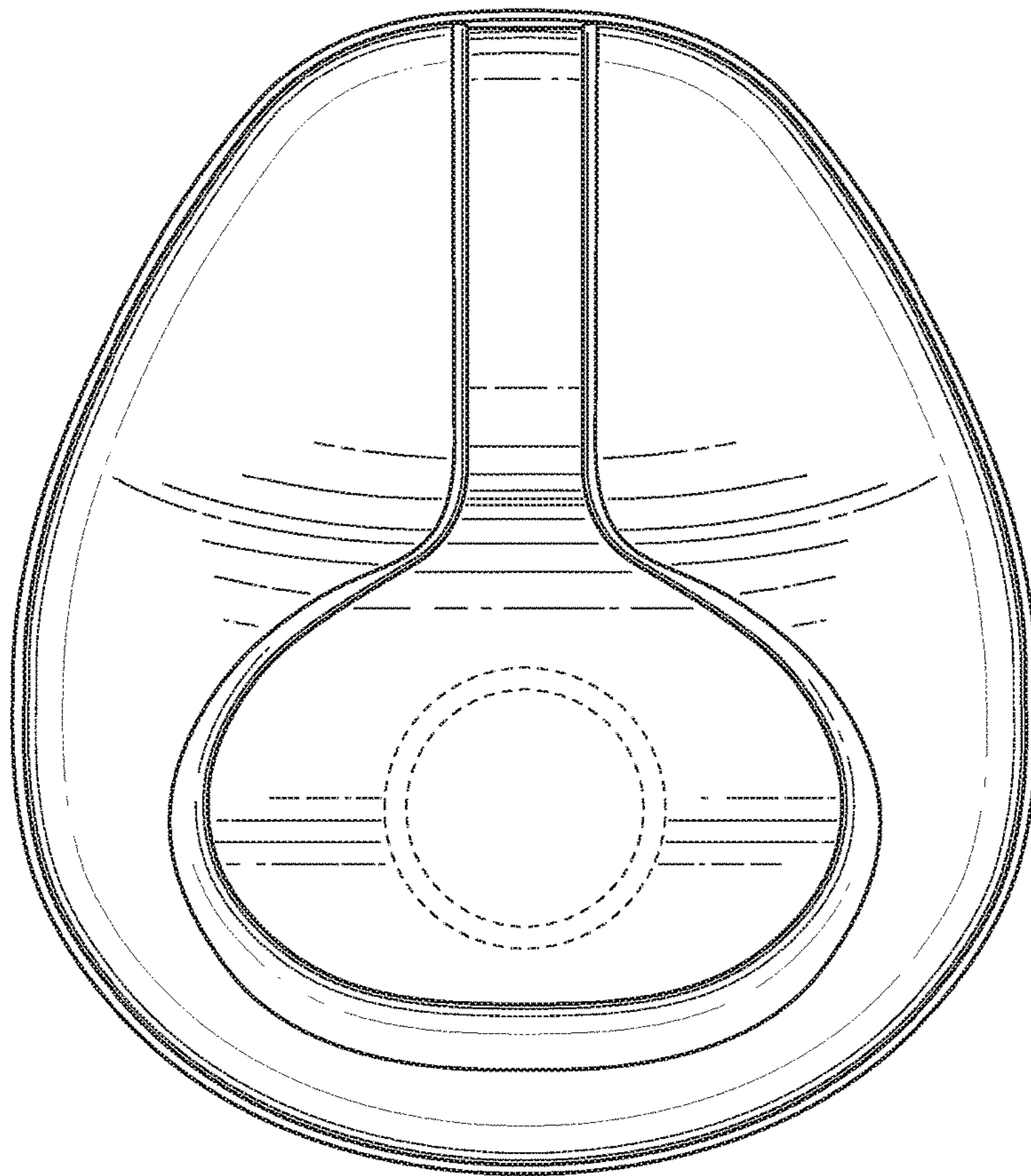


FIG. 7