



US00D774759S

(12) **United States Design Patent** (10) **Patent No.:** **US D774,759 S**
Beilman et al. (45) **Date of Patent:** **** Dec. 27, 2016**

(54) **COSMETIC CASE**
(71) Applicants: **Debra L. Beilman**, Aventura, FL (US);
Florencia Crosa, North Miami, FL
(US)

D293,724 S 1/1988 Kingsford et al.
D308,756 S 6/1990 Turner
D321,284 S 11/1991 Marsella et al.
D342,156 S 12/1993 Turner
(Continued)

(72) Inventors: **Debra L. Beilman**, Aventura, FL (US);
Florencia Crosa, North Miami, FL
(US)

FOREIGN PATENT DOCUMENTS

GB 2363712 A 1/2002

(**) Term: **15 Years**

OTHER PUBLICATIONS

(21) Appl. No.: **29/530,065**

Youtube, "Giveaway Prize Details! Ulta Be Discovered 67 Piece Collection", (3:50-8:32 relevant), Posted Nov. 20, 2015, Accessed Apr. 6, 2016. (<https://www.youtube.com/watch?v=Azu7Qdta8Po>).*

(22) Filed: **Jun. 12, 2015**

(Continued)

(51) **LOC (10) Cl.** **03-01**

(52) **U.S. Cl.**
USPC **D3/284**; D3/288; D3/296; D3/901

Primary Examiner — Jennifer Rivard
Assistant Examiner — April Rivas
(74) *Attorney, Agent, or Firm* — Malloy & Malloy, P.L.

(58) **Field of Classification Search**
USPC D3/273, 274, 275, 276, 281, 282, 284,
D3/292, 294, 295, 296, 302, 905, 901,
D3/903, 205, 288
CPC A45C 5/04; A45C 11/00; A45C 11/16;
A45C 15/04

(57) **CLAIM**

The ornamental design for a cosmetic case, as shown and described.

See application file for complete search history.

DESCRIPTION

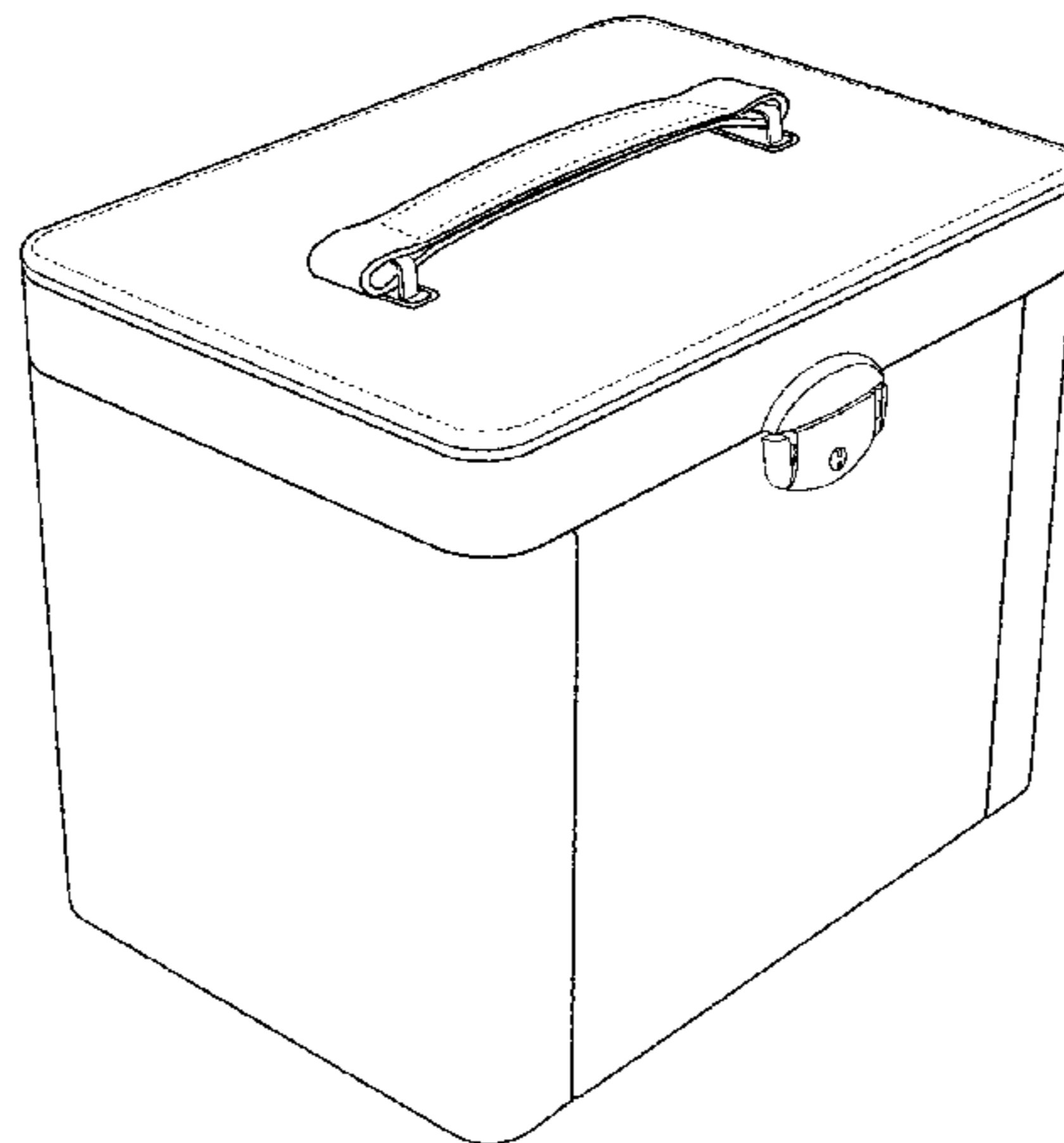
(56) **References Cited**

U.S. PATENT DOCUMENTS

1,414,899 A 5/1922 Sabatelli
1,592,457 A 7/1926 Greenberg
2,003,824 A 6/1935 Cavalero
2,084,292 A 6/1937 Steiner
D108,590 S 2/1938 Zell
2,117,140 A 5/1938 Bowen
D111,177 S 9/1938 Gamble
2,278,866 A 4/1942 Dell'Elba
D139,428 S 11/1944 Morris
2,570,314 A 10/1951 Brand
2,649,799 A 8/1953 Spertus
2,916,841 A 12/1959 Denis
D230,773 S 3/1974 Arnold
3,921,649 A 11/1975 Milbrath
4,526,273 A 7/1985 Tsuji et al.
4,574,944 A 3/1986 Gregory

FIG. 1 is a front perspective view illustrating my design for a cosmetic case;
FIG. 2 is a front elevation view thereof;
FIG. 3 is a left side view thereof;
FIG. 4 is a top view thereof;
FIG. 5 is a right side view thereof;
FIG. 6 is a bottom view thereof;
FIG. 7 is a rear view thereof;
FIG. 8 is a front perspective view in a partially open orientation thereof; and,
FIG. 9 is a front perspective view in a completely open orientation thereof.
The broken lines illustrate stitching and form no part of the claimed design.

1 Claim, 9 Drawing Sheets



(56)

References Cited

U.S. PATENT DOCUMENTS

D344,412	S	2/1994	Barnhart	
5,363,969	A	11/1994	Shen	
5,813,420	A	9/1998	Sussman	
D411,648	S	6/1999	Markham	
D413,627	S	9/1999	Gray	
D415,614	S	10/1999	Akaike et al.	
D417,783	S	12/1999	Wolf	
6,045,202	A	4/2000	Simon	
D444,596	S	7/2001	Lai	
6,349,494	B1	2/2002	Haggarty-Robbins	
D454,687	S *	3/2002	Wolf	D3/275
D455,550	S	4/2002	Wolf	
D455,902	S *	4/2002	Wolf	D3/275
D457,687	S	5/2002	Millar	
D467,428	S	12/2002	Wolf	
D471,010	S	3/2003	Wolf	
D475,197	S	6/2003	Stoddard	
D475,811	S	6/2003	Bontempo	
D480,211	S	10/2003	Wolf	
D485,018	S	1/2004	Beilman	
D485,066	S *	1/2004	Wolf	D3/291
D485,067	S	1/2004	Wolf	
D485,682	S	1/2004	Wolf	
D493,919	S	8/2004	Beilman	
D496,791	S *	10/2004	Perella	D3/263
D510,189	S	10/2005	Greiner	
D517,737	S	3/2006	Lai	
D522,746	S	6/2006	Perella et al.	
D524,989	S	7/2006	Lombardi	
D527,521	S	9/2006	Sijmons	
D542,475	S	5/2007	Martinez	
D577,196	S	9/2008	Hayden	
D588,810	S	3/2009	Rowlett et al.	
D631,201	S	1/2011	Lai	
D657,915	S	4/2012	Lai	
D671,742	S	12/2012	Cenzano et al.	
D688,006	S	8/2013	Lai	
D688,831	S	8/2013	Giardina	
D692,183	S	10/2013	Lai	
D723,794	S	3/2015	Lai	
D728,860	S	5/2015	Blanch	
D732,519	S	6/2015	Aspinall	
D734,549	S	7/2015	Waller	
D735,993	S	8/2015	Koepke et al.	
D745,276	S	12/2015	Wang	
2004/0003825	A1	1/2004	Kelly	
2004/0188275	A1	9/2004	Wolf	
2007/0235056	A1	10/2007	Vintimiglia et al.	
2014/0299151	A1	10/2014	Stroud	
2015/0114852	A1 *	4/2015	Torline	A47F 7/03 206/6.1

OTHER PUBLICATIONS

Aliexpress, “. . . Yellow Jewelry holder Elliptic Large space jewelry box”, Accessed Apr. 13, 2016, (<http://www.aliexpress.com/...pendants-yellow-jewelry-holder-Elliptic-Large-space-jewelry/1388033940.html?spm=2114.40010308.4.105.DL9GbR>).*

The Cosmetic Center Advertising Circular, 1991, Second Page Item Q on Lower Left.

Hong Kong Enterprise June 1993, p. 202: Item No. G902OB.

Hong Kong Enterprise October 1994, p. 760: Item No. M17D.

Cameo Cosmetics. “M229 Train Case”. Accessed Nov. 2, 2015. (<http://www.cameocosmetics.com/m229-train-case/>).

Google Image Search. “Ulta Sparkle Shine Kit”, Accessed Nov. 2, 2015. (https://www.google.com/search?q=ulta+sparkle+shine+kit&es_sm=122&source=Inms&tbm=isch&sa=X&ved=0CAgQ_AUoAmoVChMIu4T-5Y_yyAIVgWomCh0mWgkD&biw=1920&bih=1067#imgrc=uWr-Z3gEyjnOMM%3A).

Amazon.com, “Ivation All-In-One Makeup Kit in Highly Fashionable Red Leather-look Train Case”. Reviewed Sep. 21, 2014. Accessed Oct. 30, 2015. (http://www.amazon.com/Ivation-All-In-One-Makeup-Fashionable-Leather-look/dp/B00N9A78HG/ref=cm_cr_pr_product_top?ie=UTF8).

Amazon.com, “Shany All in One Makeup Kit”. Reviewed Nov. 12, 2012. Accessed Sep. 30, 2015. (http://www.amazon.com/SHANY-Eyeshadow-Blushes-Lipstick-Exclusive/dp/B008PW0PY6/ref=cm_cr_pr_product_top?ie=UTF8).

Giordano Colors, “Catalog” p. 2, item indicated with arrow. Accessed Oct. 30, 2015. (<http://www.giordanocolors.com/#!/products/c24vq>).

Youtube.com user “Supermodel Secrets”, “Listen Listen Listen! Shany USA Home and Professional Make Up Sets Review” Video published Jan. 2, 2013. Accessed Oct. 30, 2015. (<https://www.youtube.com/watch?v=9NbZrCG2D2U>).

Avon Lady of NJ Blog. “Are you set to give?!”, posted Nov. 23, 2013. Accessed Nov. 2, 2015. “p. 2 Gilded Treasures Makeup Set” (<http://avonladynj.com/2013/11/23/are-you-set-to-give/>).

Amazon.com, “SHANY Carry All Trunk Professional Make up Kit” Accessed Apr. 6, 2016, Reviewed as early as Dec. 2, 2010. (http://www.amazon.com/gp/product/B002XXAUE8/ref=s9_dcacsd_dhzbw_c_x_1).

Freebies for a Cause Blog, “Ulta: \$175 Worth of Ulta COsmetics Just \$22.44 Shipped! . . .”, Accessed Apr. 6, 2016. Posed Oct. 4, 2015. (<http://freebiesforacause.com/ulta-175-worth-of-ulta-cosmetics-just-22-44-sguooed-plust-possible-2x-ultimate-rewards-points/>).

Youtube, “Giveaway Prize Details! Ulta Be Discovered 67 Piece Collection.” cited by applicant Jul. 21, 2016.

Aliexpress, “Free Shipping With independent small bag earrings necklaces . . . space jewelry box”. cited by applicant Jul. 21, 2016.

* cited by examiner

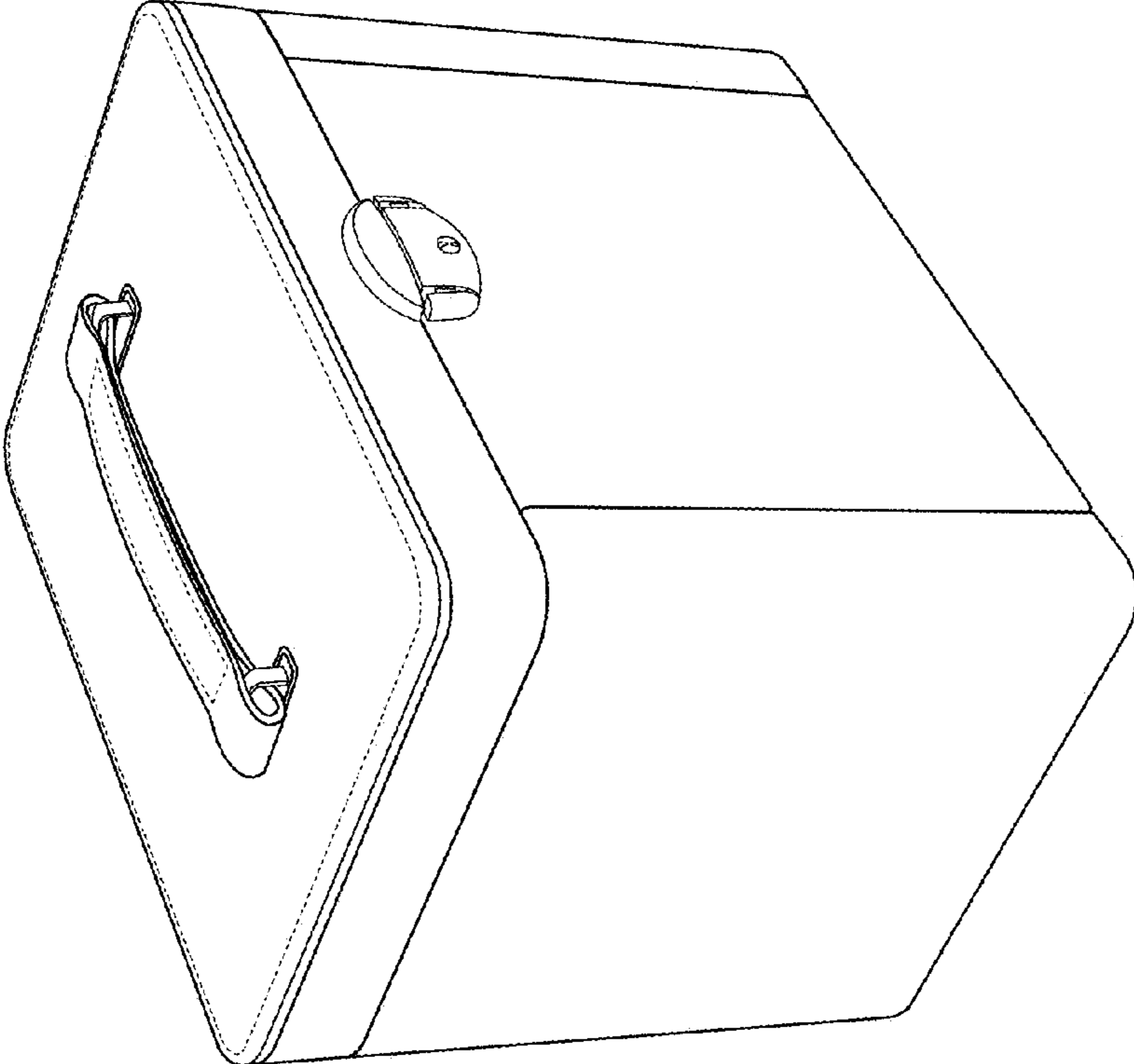


FIG. 1

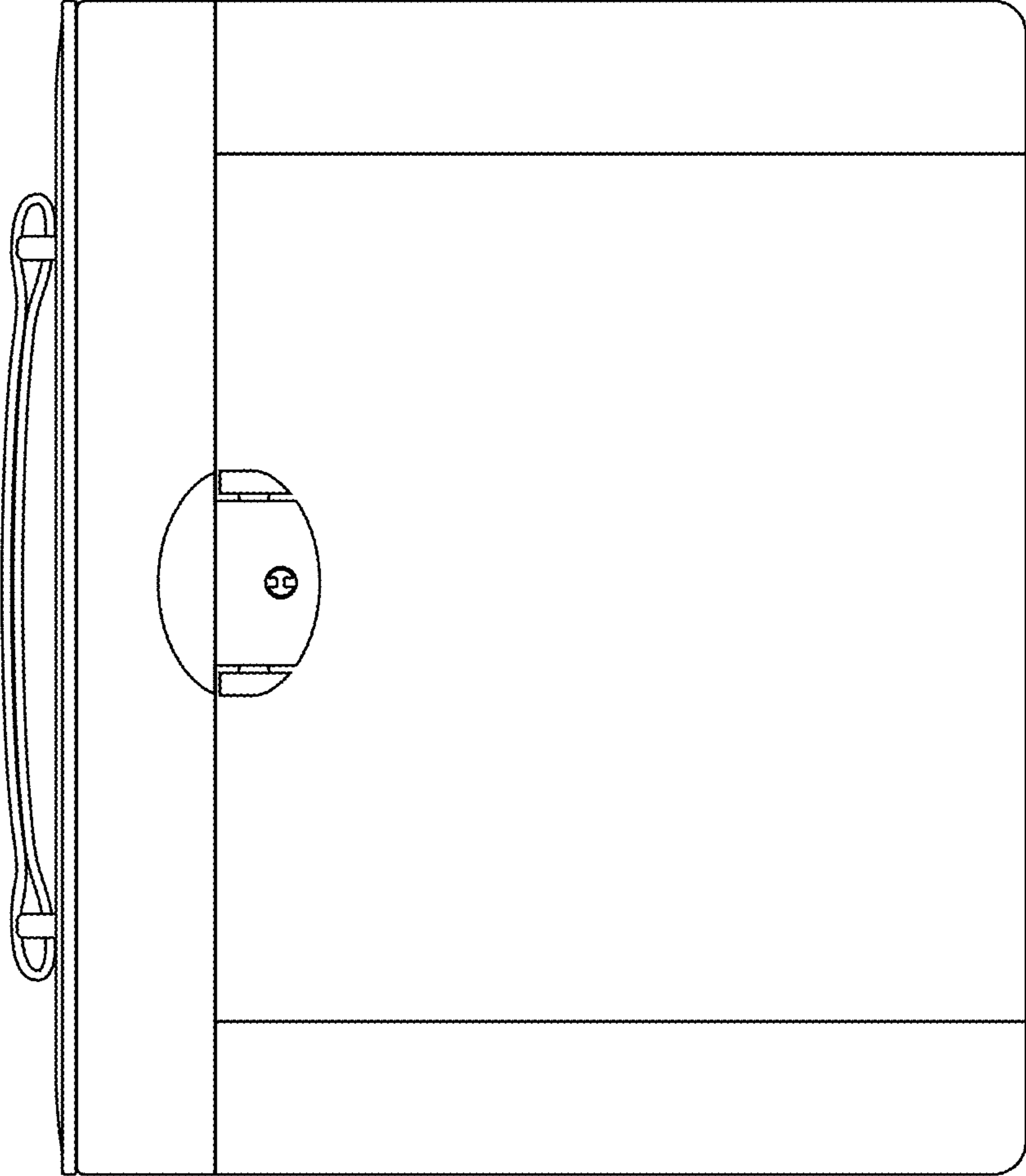


FIG. 2

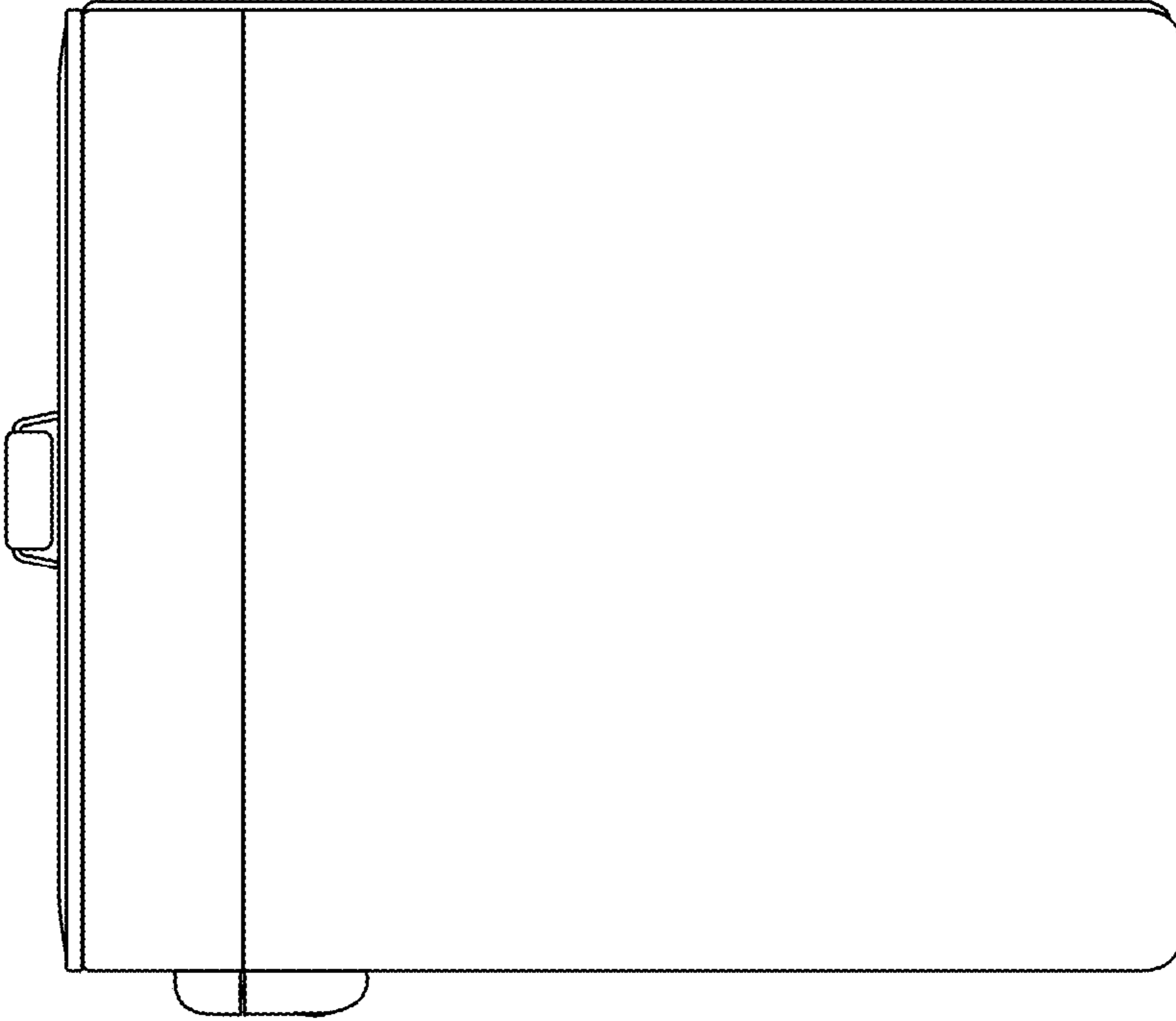


FIG. 3

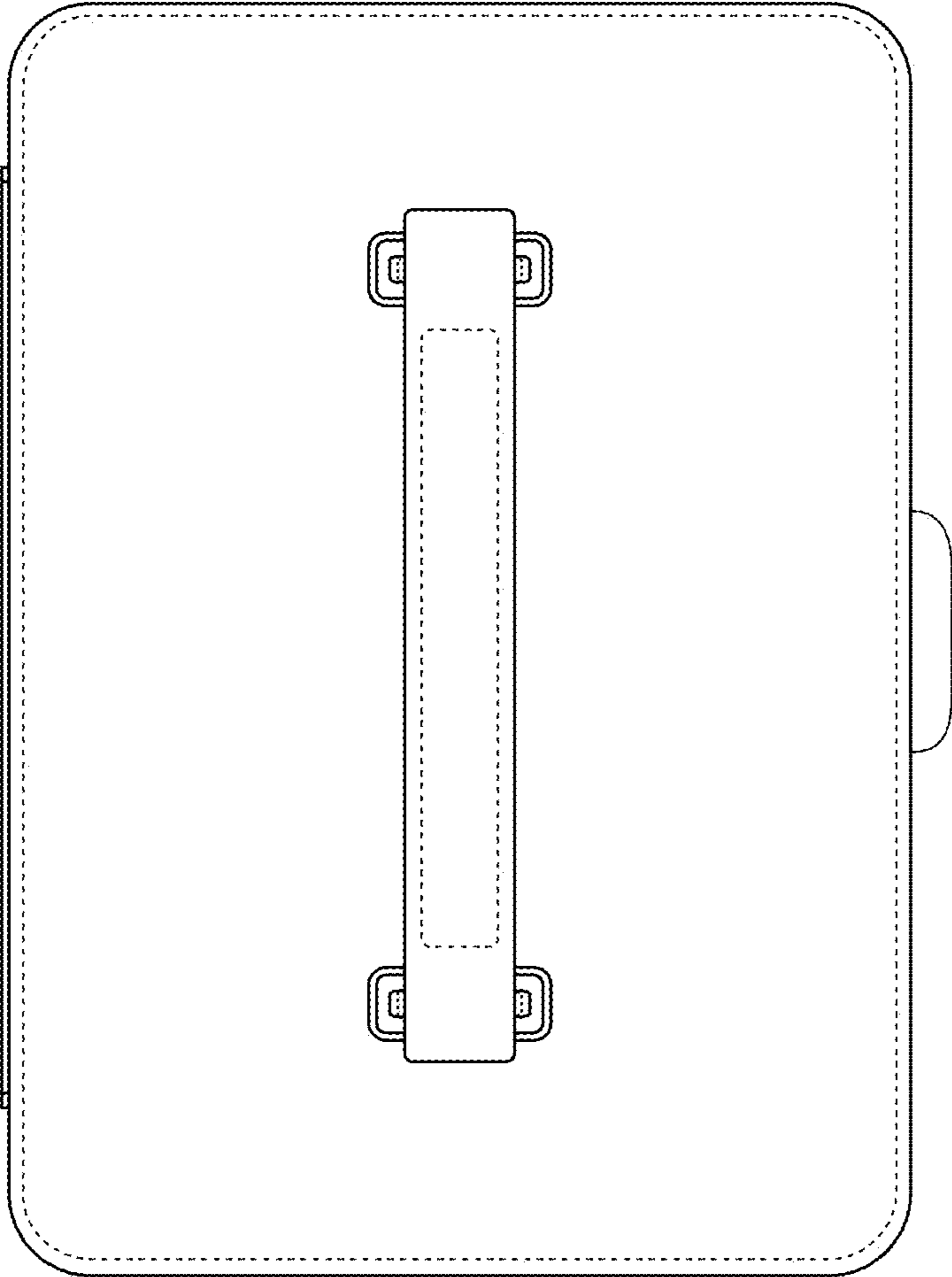


FIG. 4

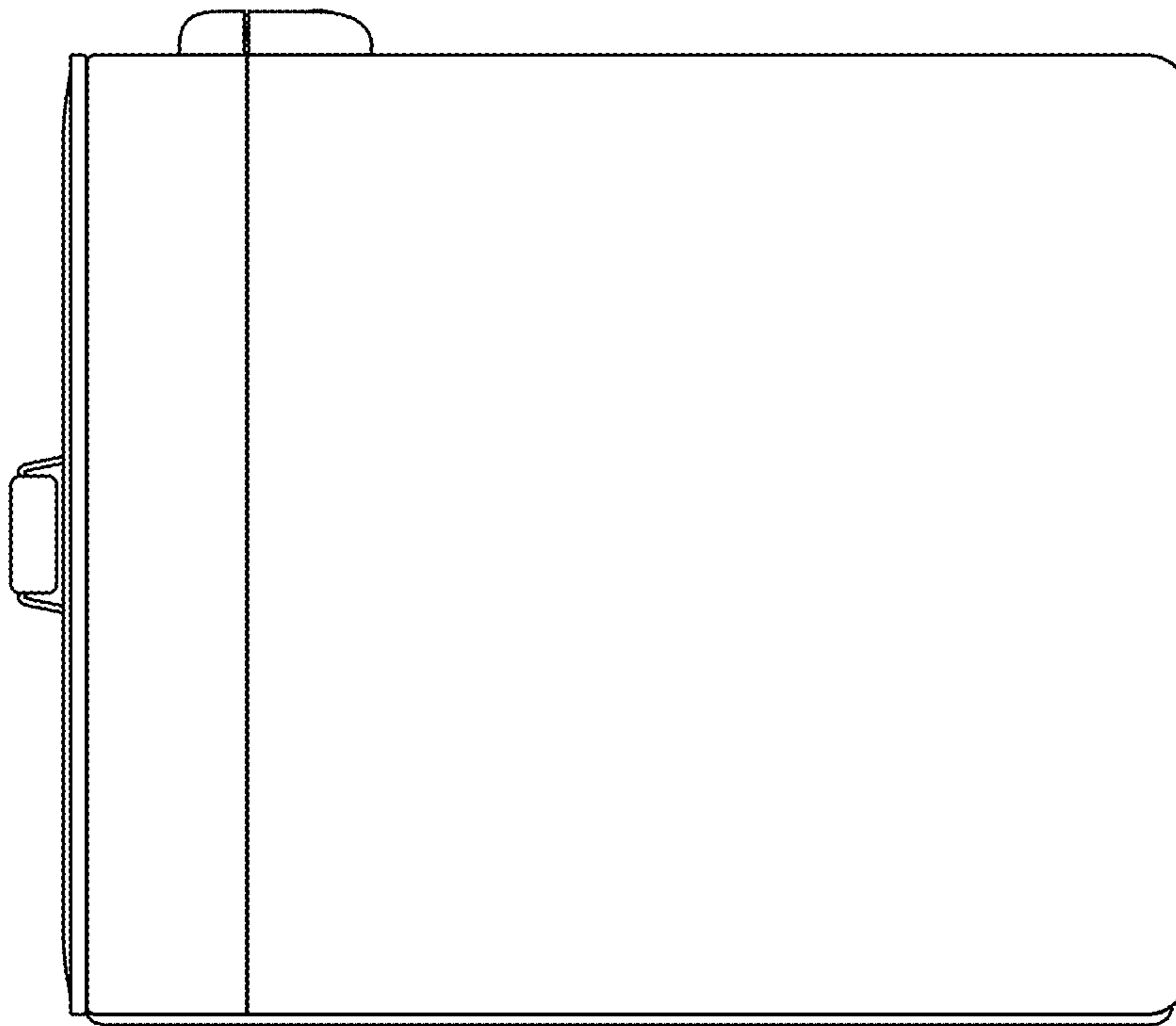


FIG. 5

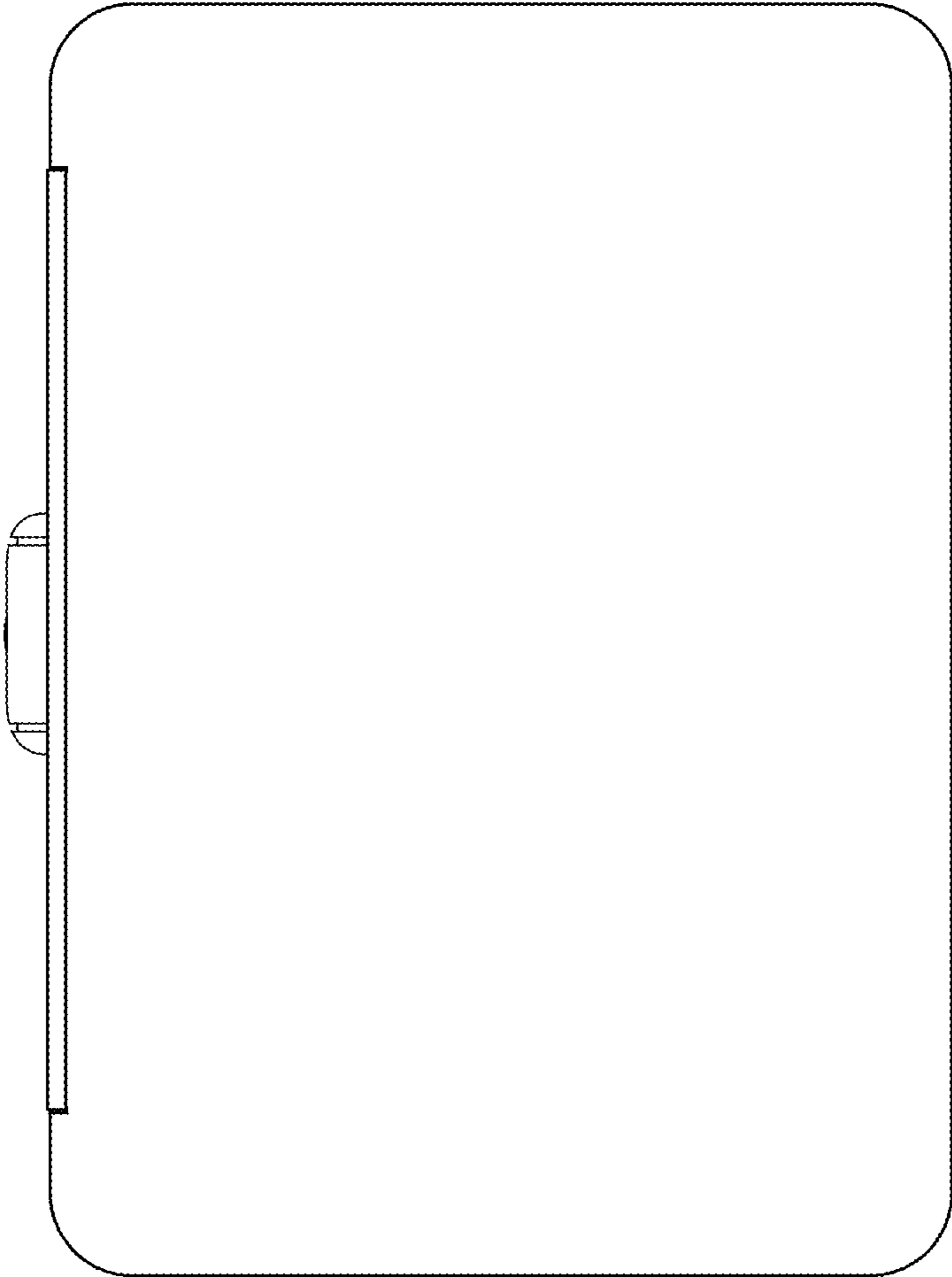


FIG. 6

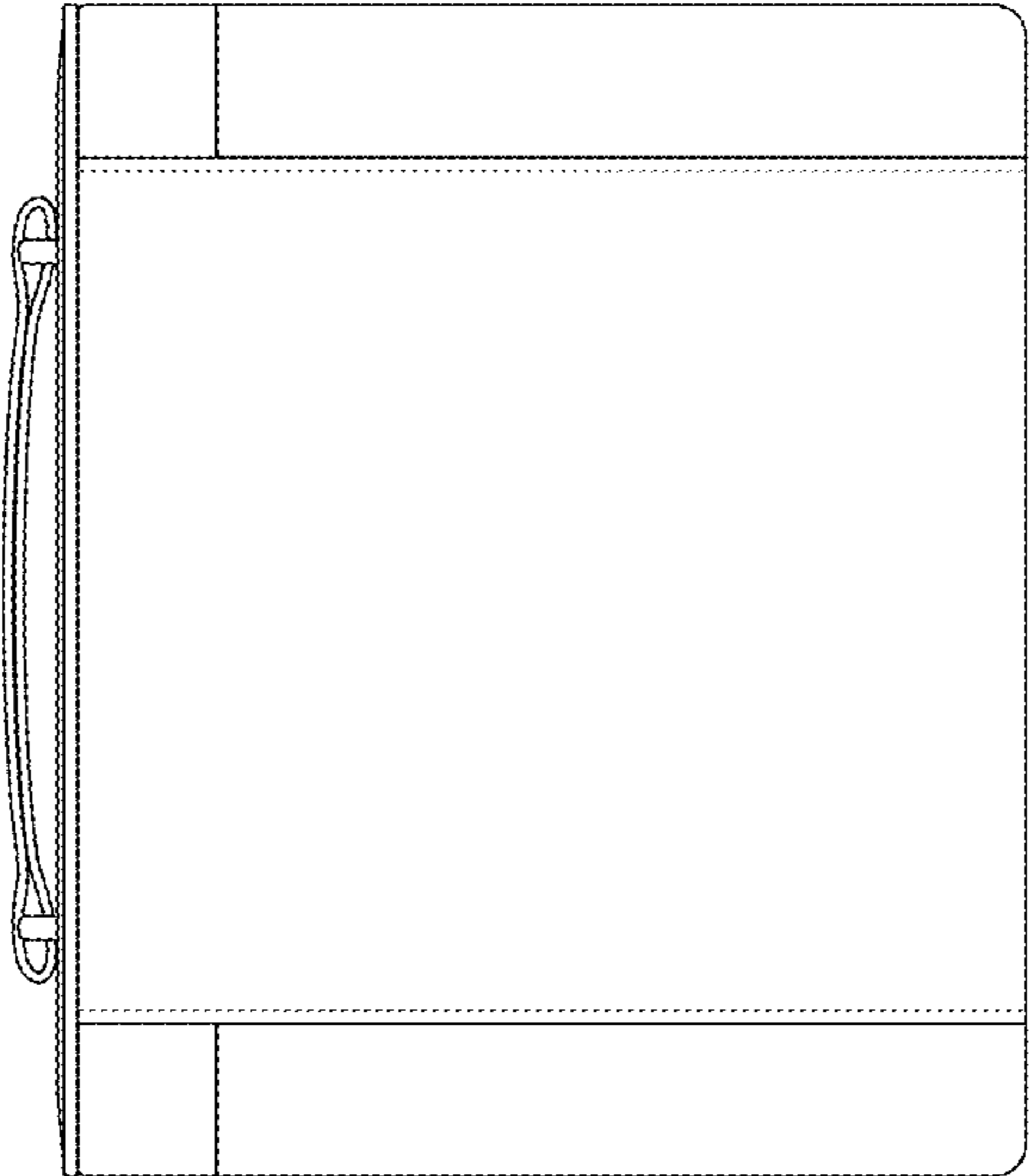


FIG. 7

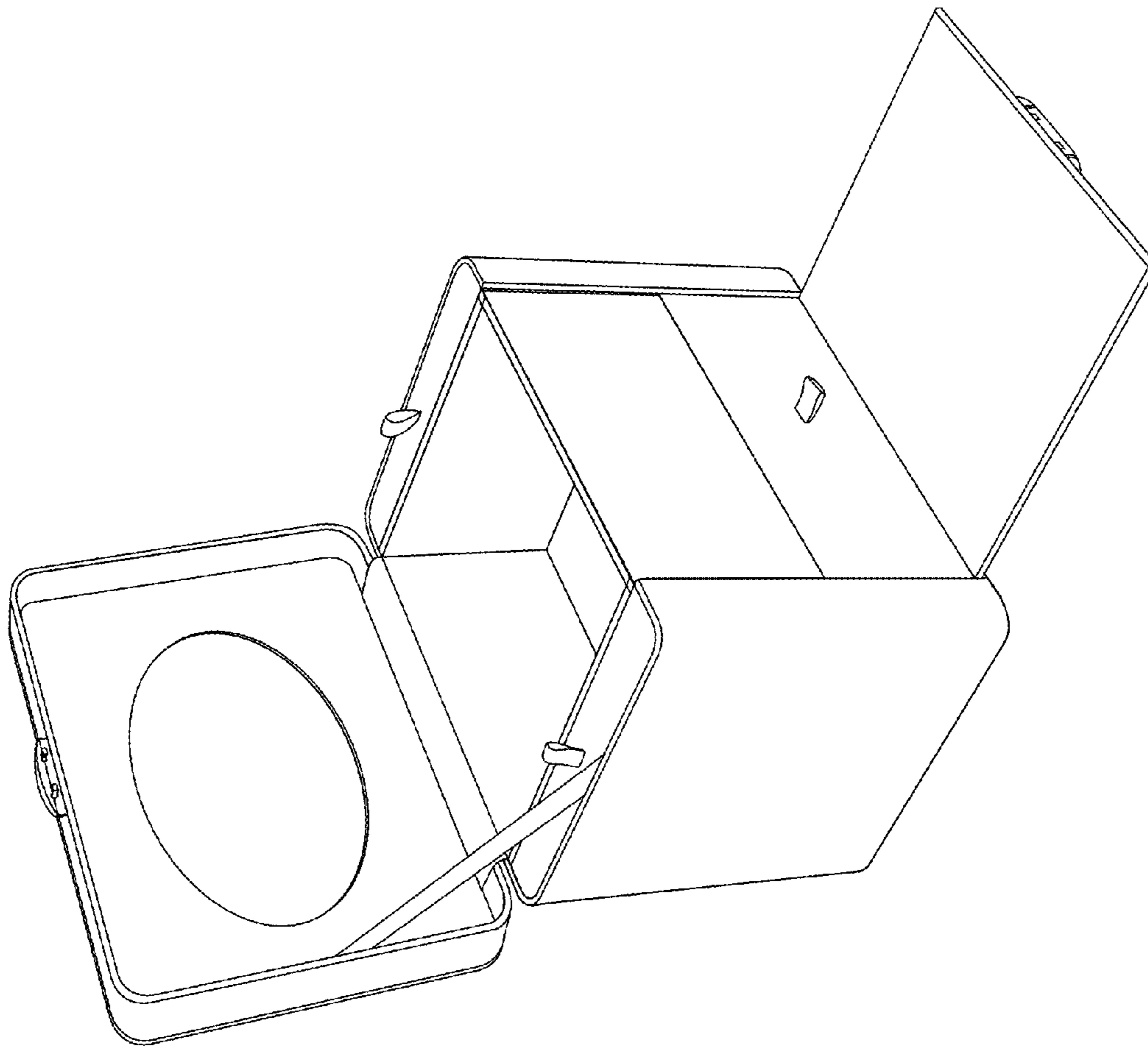


FIG. 8

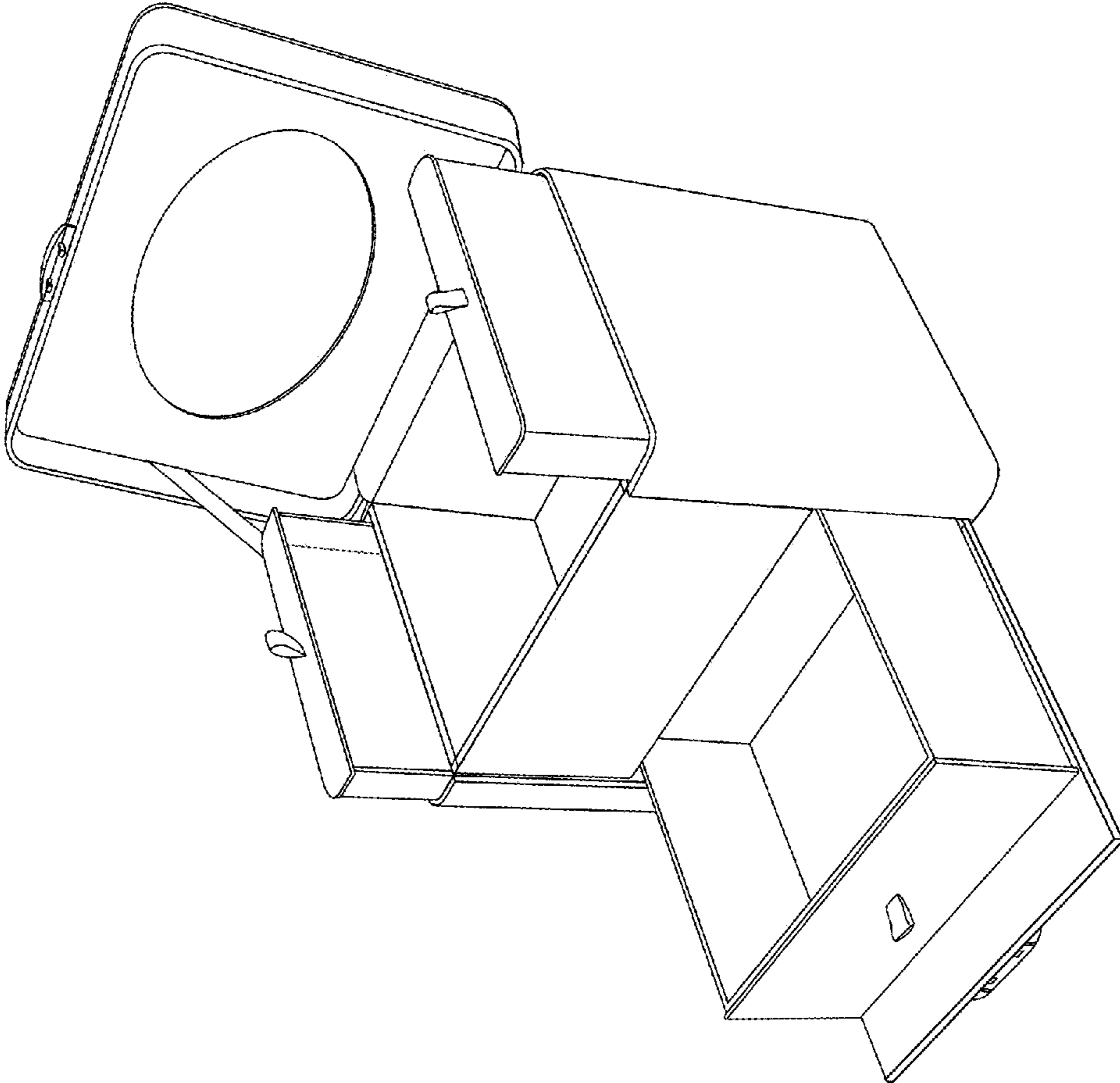


FIG. 9